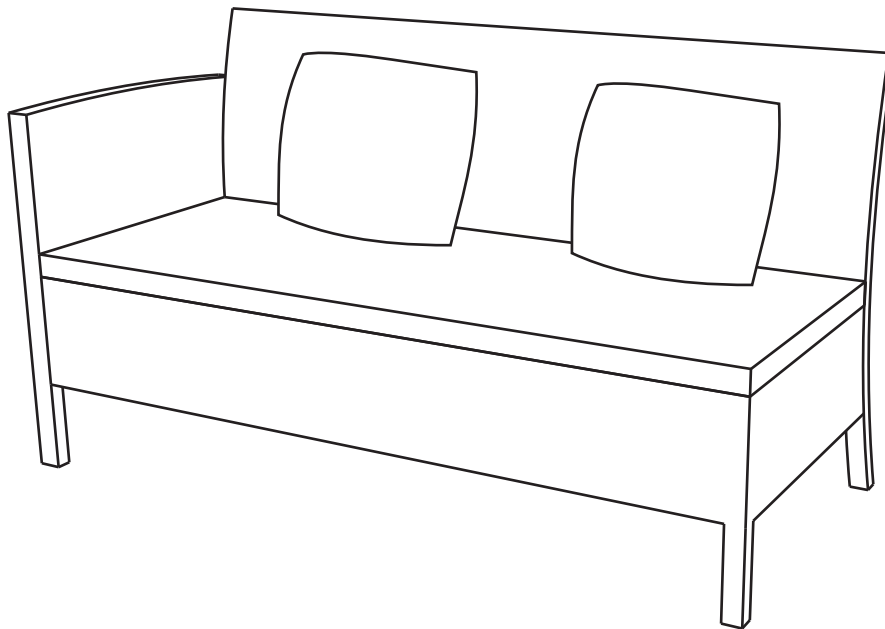


# WOW Corner Dining Set - Single Armrest Sofa

Assembly Instructions - Please keep for future reference

619/4116



## Dimensions

Width - 134 cm

Depth - 60cm

Height -75cm



### **Important:**

Do not fully tighten all screws until assembly is complete.

**Important** Please read these instructions fully before starting assembly

If you need help or have damaged or missing parts, call the Customer Helpline: 0345 640 0800

For further assistance please visit <http://www.argos.support.co.uk/>

Retailer: Argos

Address: 489-499 Avebury Boulevard Saxon Gate West, Central Milton Keynes Bucks, MK9, 2NW



# Safety and Care Advice

**Important - Please read these instructions fully before starting assembly**

- Check you have all the components and tools listed on pages 2.
- Remove all fittings from the plastic bags and separate them into their groups.
- Keep children and animals away from the work area, small parts could choke if swallowed.
- Make sure you have enough space to layout the parts before starting.
- Do not stand or put weight on the product during assembly, this could cause damage.
- Assemble the item as close to its final position (in the same room) as possible.
- Assemble on a soft level surface to avoid damaging the chair or your floor
- Parts of the assembly will be easier with 2 people.
- We do not recommend the use of power drill/drivers for inserting screws, as this could damage the unit. Only use hand screwdrivers.
- Dispose of all packaging carefully and responsibly.
- Maximum safe seated weight: 220kgs.



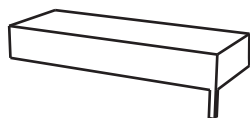
## Care and maintenance

- Only clean using a damp cloth and mild detergent, do not use bleach or abrasive cleaners.
- Make sure each studs matches the corresponding figure to ensure correct assembly.
- From time to time check that there are no loose nuts on this chair.
- Assemble all parts and nuts loosely during assembly, only once the product is complete should you fully tighten the nuts.
- This product should not be discarded with household waste. Take to your local authority waste disposal centre.

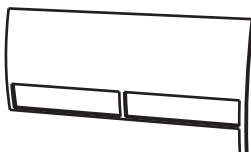
# Components-Parts

If you have damaged or missing components, call the Customer Helpline: 0345 640 0800  
For further assistance please visit <http://www.argos.support.co.uk/>

Please check you have all the parts listed below



1 Seat x 1



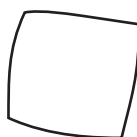
2 Back x 1



3 Armrest x 1



4 Seat Cushion x 1







5 Pillow x 2

# Components-Fittings

Please check you have all the fittings listed below

**Note:** The quantities below are the correct amount to complete the assembly. In some cases more fittings may be supplied than are required.

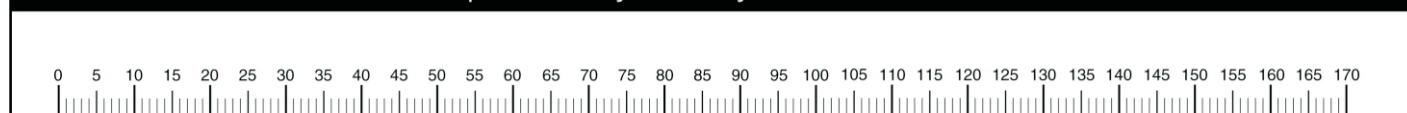
<p><b>A</b></p>  <p>Screw x 1    M6x50</p>	<p><b>B</b></p>  <p>Screw x 6    M6x40</p>	<p><b>C</b></p>  <p>Screw x 2    M6x35</p>	<p><b>D</b></p>  <p>Washer x 9    M6</p>
---	---	---	---

## Tools required



1 x Allen key

Ruler - Use this ruler to help correctly identify the screws

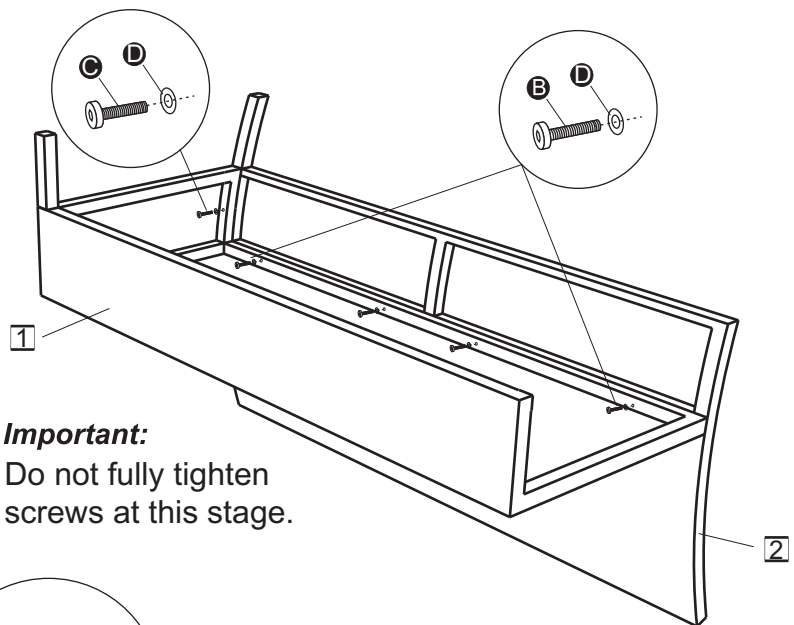


# Assembly Instructions

## Step 1

### Fit seat to the back

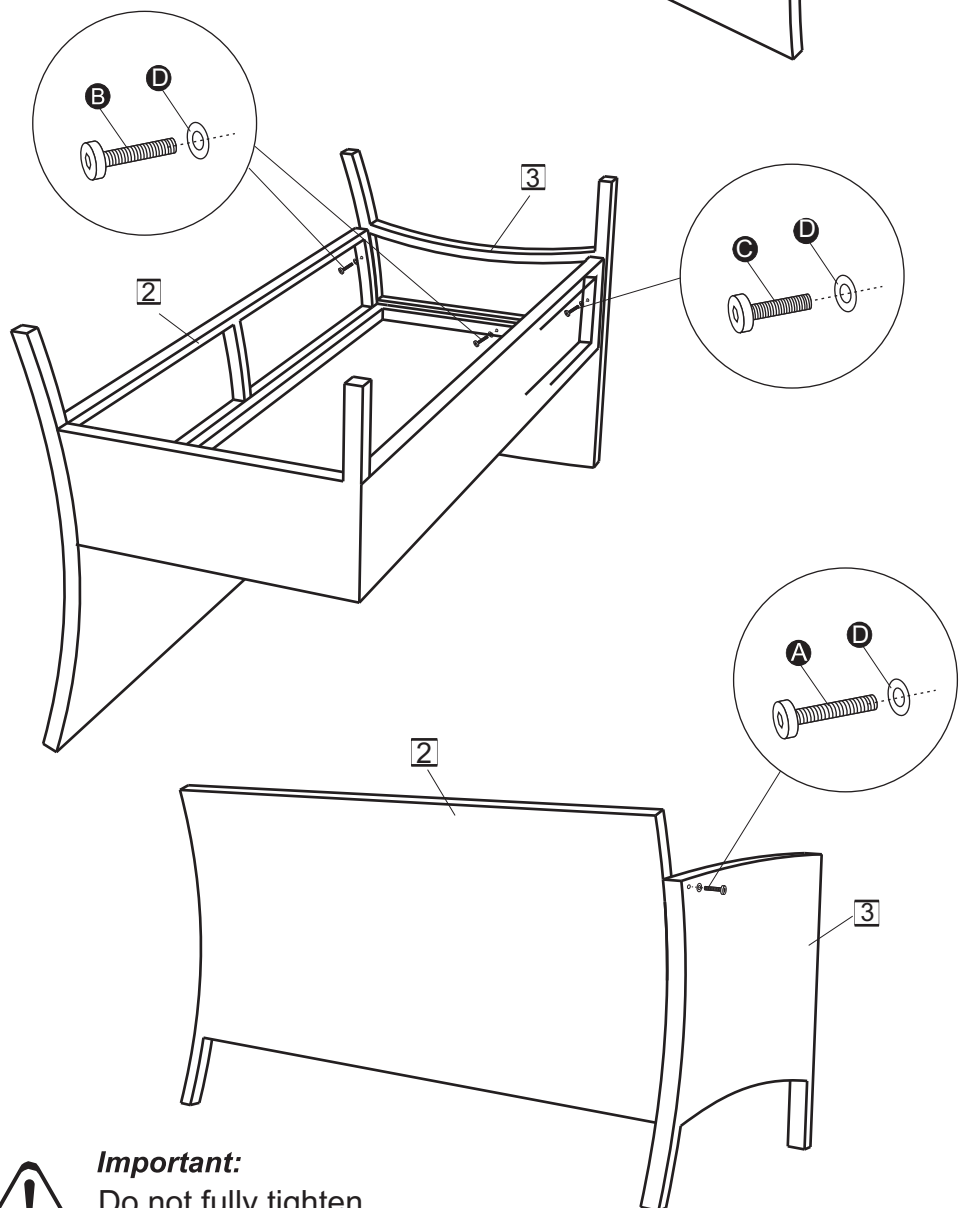
Use screw **B**, **C** washer **D** to fix the seat **1** to the back **2**.



## Step 2

### Fit armrest to the seat

Use screw **A**, **B**, **C** and washer **D** to fix the armrest **3** to the back **2**.

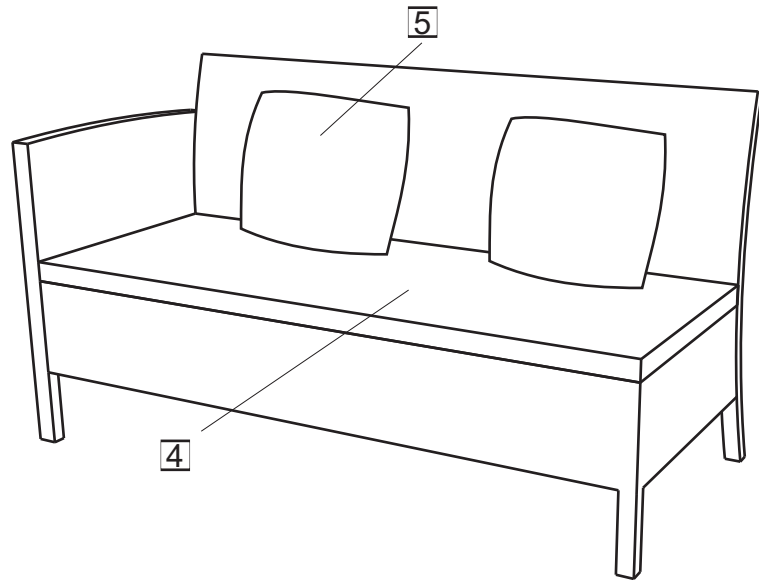


# Assembly Instructions

## Step 3

### Tighten all the screws

Tighten all the screws then turn the chair to its upright position and put seat cushion **4** and pillows **5** on the chair.



**Assembly is complete**

If you need help or have damaged or missing parts, call the Customer Helpline: 0345 640 0800

For further assistance please visit <http://www.argos.support.co.uk/>

Retailer: Argos

Address: 489-499 Avebury Boulevard Saxon Gate West, Central Milton Keynes Bucks, MK9, 2NW