

New Hallingford - 3 Drawer Bedside

Assembly Instructions - Please keep for future reference

274/4917

266/7379

266/4509

258/7693

266/2910

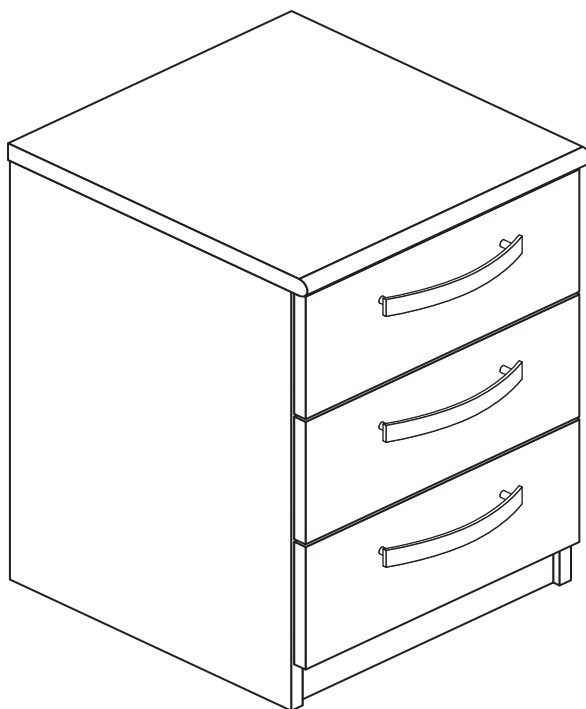
616/9749

618/4999

601/6737

620/9379

618/6959



More help is available throughout this booklet by scanning in the QR codes or typing in the links

Dimensions

Width - 37.5cm

Depth - 40cm

Height - 58cm



**MADE IN
BRITAIN**

Important - Please read these instructions fully before starting assembly

If you need help or have damaged or missing parts, please visit www.argos-support.co.uk or email: Help@ClickSpares.co.uk (quoting your original order number)

Alternatively, call the Spares Helpline on: 0370 112 1928.

For any other queries please contact the Customer Helpline on: 0345 640 2020



Safety and Care Advice

Important - Please read these instructions fully before starting assembly

- **Warning:** This unit weighs approximately 14kgs. Please lift with care.

- Check you have all the components and tools listed on pages 2 and 3.

- Remove all fittings from the plastic bags and separate them into their groups.

- Keep children and animals away from the work area, small parts could choke if swallowed.

- Parts of the assembly will be easier with 2 people.

- Make sure you have enough space to layout the parts before starting.

- Do not stand or put weight on the product, this could cause damage.

- Assemble the item as close to its final position (in the same room) as possible.

- Assemble on a soft level surface to avoid damaging the unit or your floor (use opened out unit carton).



- We do not recommend the use of power drill/drivers **for inserting screws**, as this could damage the unit. Only use hand screwdrivers.

- **Safety note:** If there is any chance of this unit being pulled over by children etc. it **must be secured** to a wall using suitable fixings (not supplied).

- Dispose of all packaging carefully and responsibly.

Care and maintenance

- Only clean using a damp cloth and mild detergent, do not use bleach or abrasive cleaners.

- From time to time check that there are no loose screws on this unit.

- This product should not be discarded with household waste. Take to your local authority waste disposal centre.

Note: If required the next page can be cut out and used as reference throughout the assembly. Keep this page with these instructions for future reference.

Components - Panels

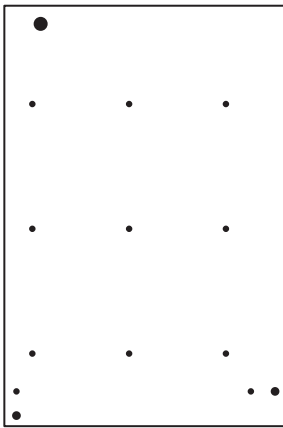
If you need help or have damaged or missing parts, please visit www.argos-support.co.uk or email: Help@ClickSpares.co.uk (quoting your original order number)

Alternatively, call the Spares Helpline on: 0370 112 1928.

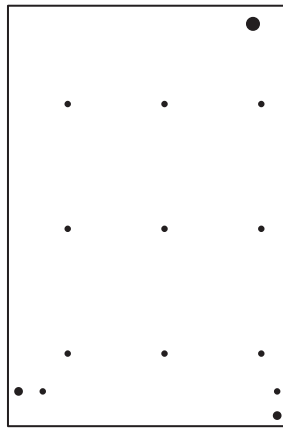
For any other queries please contact the Customer Helpline on: 0345 640 2020

Please check you have all the panels listed below

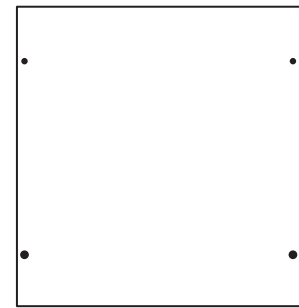
When applicable, remove any protective film from the panels before they are used



1 Left Side (D2307A)
(55.6 x 37.2cm)



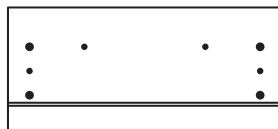
2 Right Side (D2308A)
(55.6 x 37.2cm)



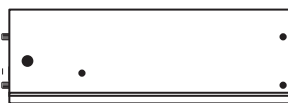
3 Top (D2306A)
(37.5 x 39.6cm)



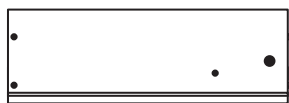
4 Rail (D2310A)
(34 x 6.6cm) x 2



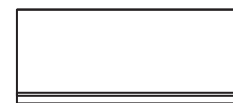
5 Drawer Front (D2309A)
(36.2 x 16.2cm) x 3



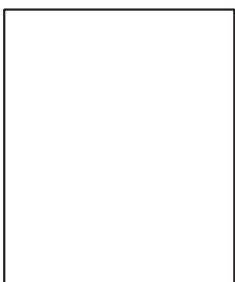
6 Left Drawer Side (W370-124LH)
(37 x 12.4cm) x 3



7 Right Drawer Side (W370-124RH)
(37 x 12.4cm) x 3



8 Drawer Back (W291-124)
(29.1 x 12.4cm) x 3



9 Drawer Base (T304-367)
(30.4 x 36.7cm) x 3



10 Back (X535-366)
(53.5 x 36.6cm)



Components - Fittings


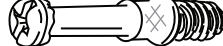



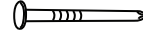



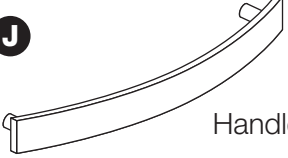


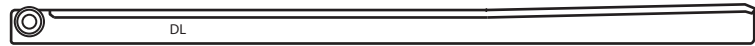


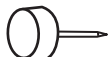
If you need help or have damaged or missing parts, please visit www.argos-support.co.uk or email: Help@ClickSpares.co.uk (quoting your original order number)

Alternatively, call the Spares Helpline on: 0370 112 1928.

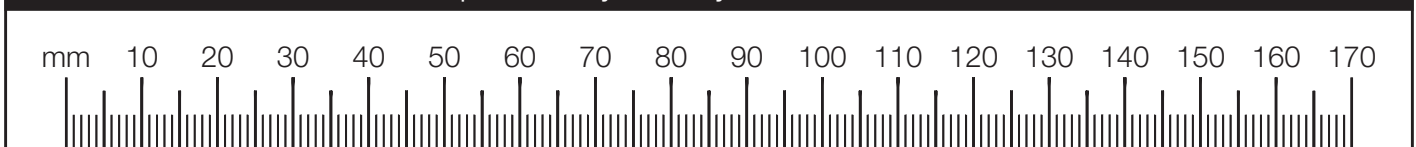
For any other queries please contact the Customer Helpline on: 0345 640 2020

Please check you have all the fittings listed below

Note: The quantities below are the correct amount to complete the assembly. In some cases more fittings may be supplied than are required.

<p>A </p> <p>Wooden dowel (F22) x 6</p>	<p>B </p> <p>Metal dowel (F901) x 12</p>	<p>C </p> <p>Small locking cam nut (F3) x 6</p>
<p>D </p> <p>Large locking cam nut (F900) x 6</p>	<p>E </p> <p>Knock-in Peg (F171GY) x 12</p>	<p>F </p> <p>Nail (F51) x 12</p>
<p>G </p> <p>19mm Screw (F461) x 6</p>	<p>H </p> <p>9mm Screw (F73) x 18</p>	<p>I </p> <p>13mm Screw (F63) x 18</p>
<p>J </p> <p>Handle (F278) x 3</p>	<p>K a  350mm long CL Runner (F422) x 3</p> <p>K b  CR CR Runner (F424) x 3</p> <p>K c  DL DL Runner (F425) x 3</p> <p>K d  DR DR Runner (F426) x 3</p>	
<p>L </p> <p>Wedgifix (F639) x 6</p>		
<p>M </p> <p>Plastic Nail (F91) x 4</p>		

Ruler - Use this ruler to help correctly identify the screws



Assembly Instructions

Step 1

Prepare the 3 drawer fronts

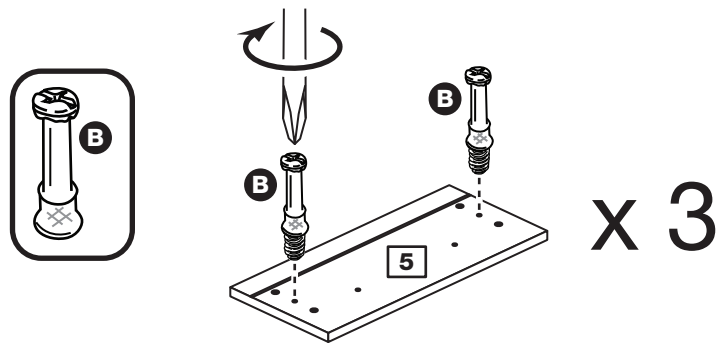
Screw 2 metal dowels **B** into the holes shown on the back of each drawer front **5**.

Note: Tighten metal dowels up fully against the panels.



Drawer Assembly

www.youtube.com/watch?v=3fYL5zB6ZYQ

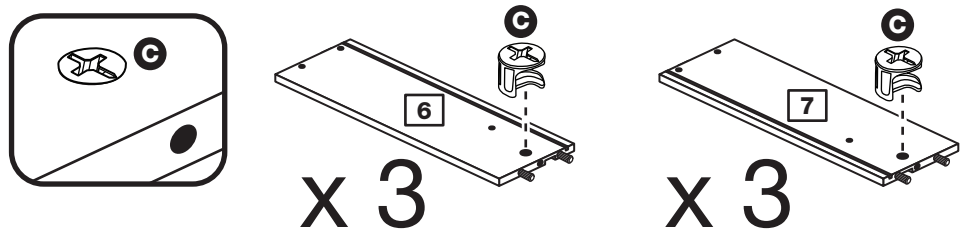


Step 2

Prepare the drawer sides

Insert a small locking cam nut **C** into the hole shown on the left drawer side **6** and right drawer side **7**.

Note: The arrow on the locking cam nut **must** point towards the hole in the edge of the panel.



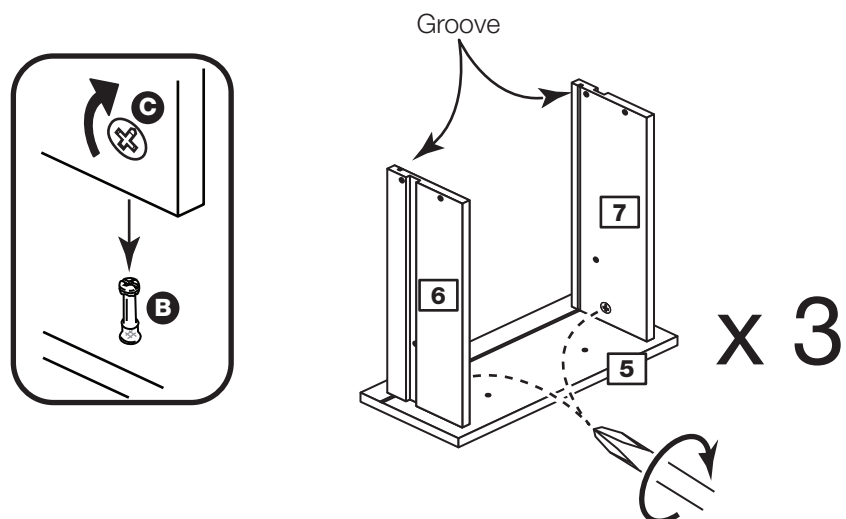
Step 3

Attach the drawer sides to the drawer front

Push the left drawer side **6** and right drawer side **7** onto the back of the drawer front **5**.

Turn the small locking cam nuts **C** on the left drawer side **6** and right drawer side **7**.

Note: Turn the locking cam nuts **C** clockwise to secure panels - more than 1/2 a turn.

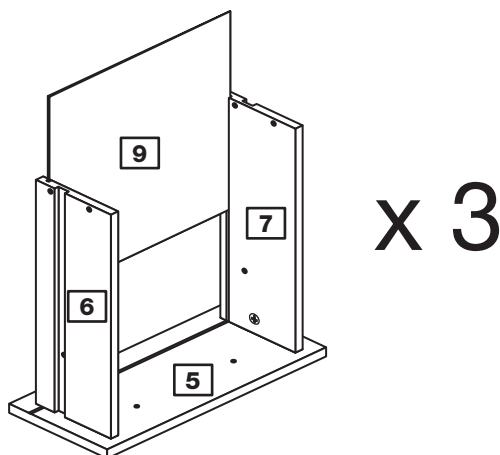


Assembly Instructions

Step 4

Fit the drawer base

Slide the drawer base **9** down the grooves in the drawer sides **6** and **7** and down into the groove in the drawer front **5**.



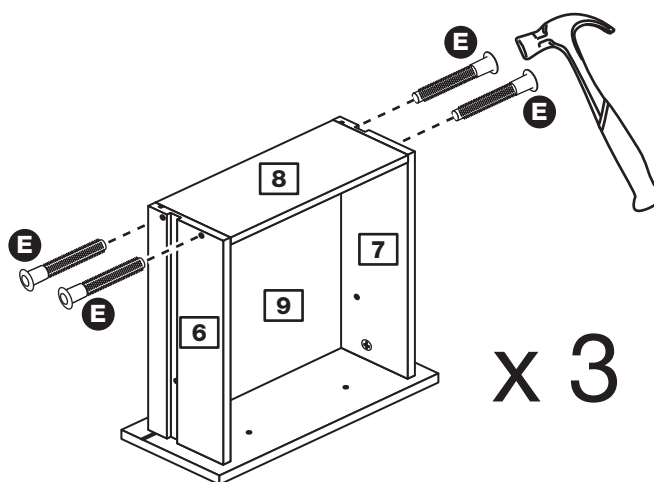
Step 5

Fit the drawer back

Fit the drawer back **8** between the drawer sides **6** and **7**.

Make sure that the drawer base **9** fits into the groove in the drawer back **8**.

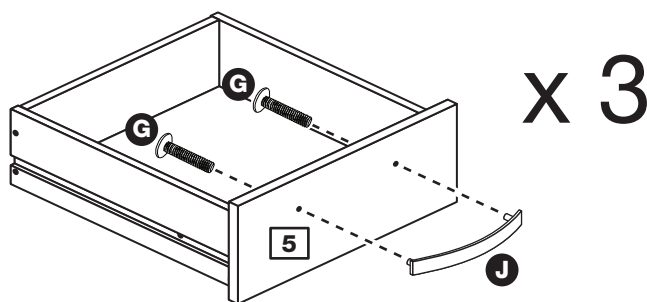
Hold the drawer back **8** in position and tap the knock-in pegs **E** through the holes in the drawer sides **6** and **7**.



Step 6

Attach the handle

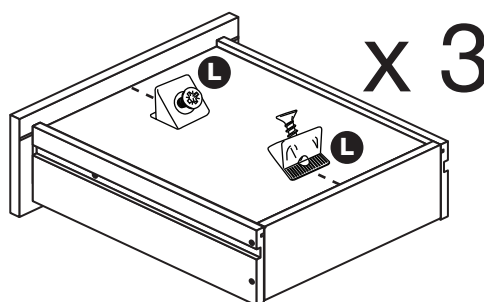
Attach a handle **J** to each drawer front **5** using 2 screws **G**.



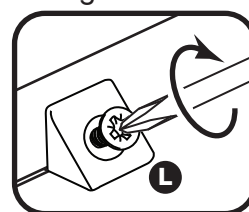
Step 7

Fit the wedgifixes

Turn the drawer assemblies over and slide 2 wedgifixes **L** into the front and back grooves, as shown, and tighten up the screws.



Important: Make sure that the drawer assembly is square before fitting the wedgifixes.



Assembly Instructions

Step 8

Fit runners to the drawers

Turn the 3 drawer assemblies over.

Fit runner **Kd**, marked with 'DR', to the bottom edge of the right drawer side **7**, as shown, making sure that it is pushed up against the back of the drawer front **5**.

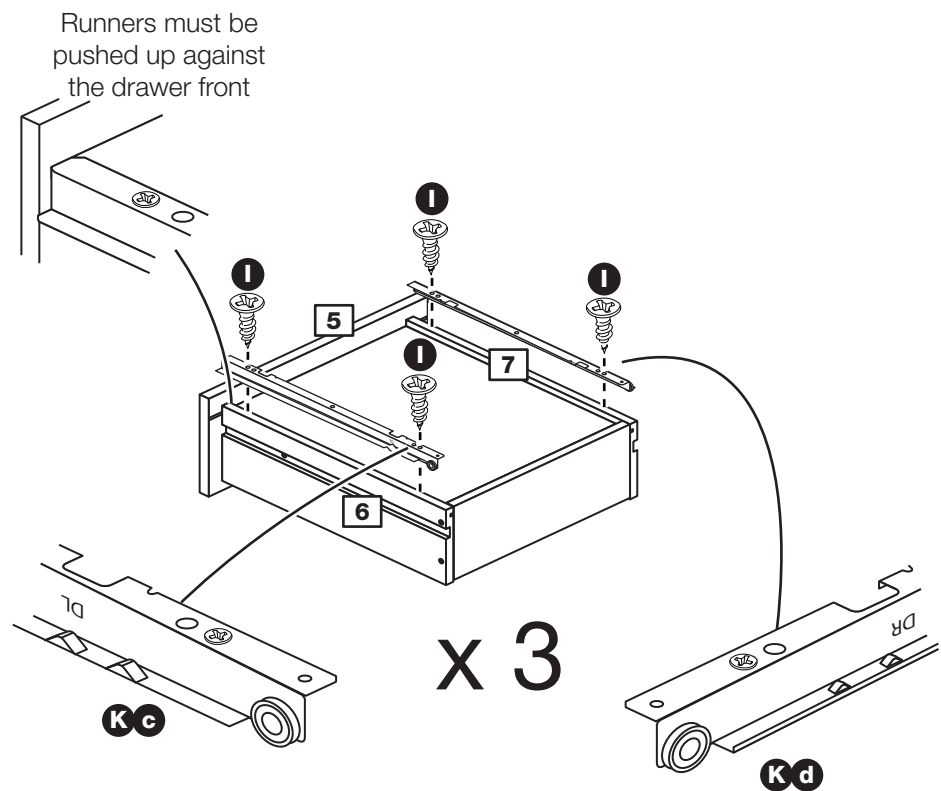
Use a bradawl to mark the fixing positions, then secure with 2 screws **I**.

Fit runner **Kc**, marked 'DL', to the bottom edge of the left drawer side **6** using the same method.



Fixing Bottom Mounter Runners

<https://www.youtube.com/watch?v=Z6lGMy19h7Q>



Step 9

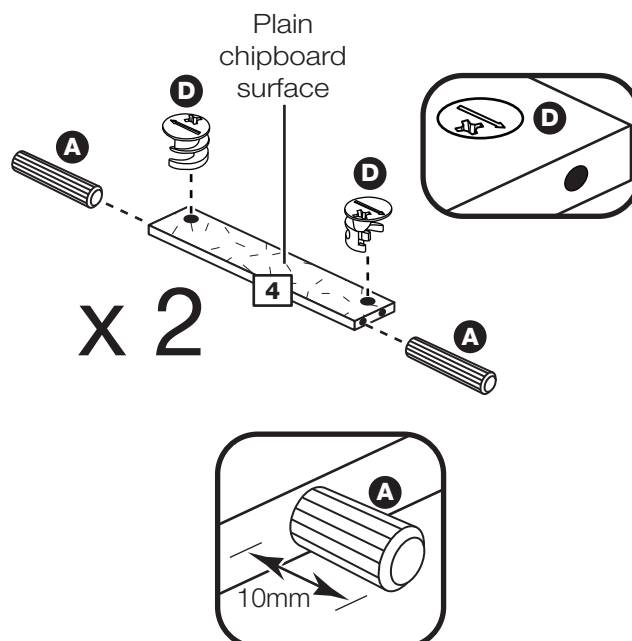
Prepare the 2 rails

Tap 2 wooden dowels **A** into each rail **4**.

Note: Wooden dowels **must not** stick out from the edge by more than 10mm or they may damage other panels.

Insert 2 large locking cam nuts **D** into each rail **4**.

Note: The arrow on the locking cam nut **must** point towards the hole in the edge of the panel.



Assembly Instructions

Step 10

Prepare the left side

a: Fit 3 CL runners **K a** to the left side **1**.

The 1st screw **H** uses the 1st hole in from the front of the runner.

The 2nd and 3rd screws **H** use the holes that line up with the other panel holes.

b: Fit a screw **I** into the hole at the top of the runners **K a**.

Screw 2 metal dowels **B** into the left side **1**.

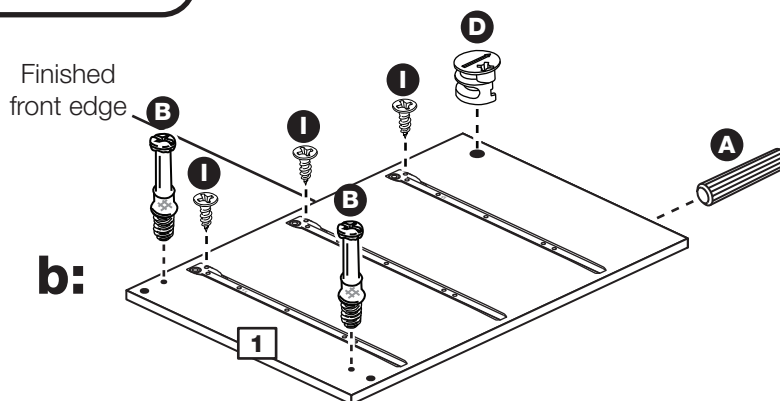
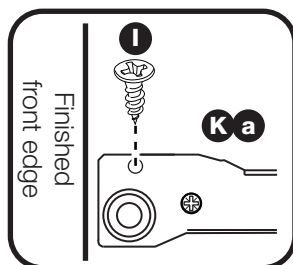
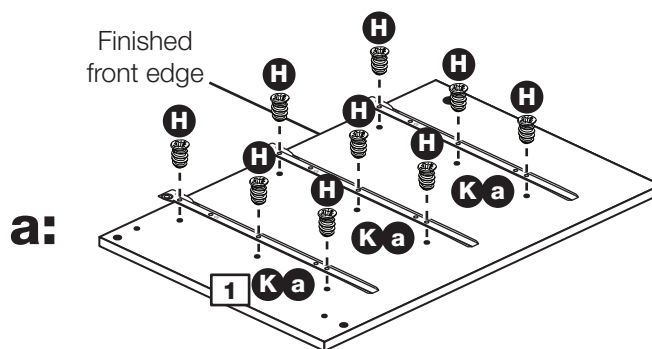
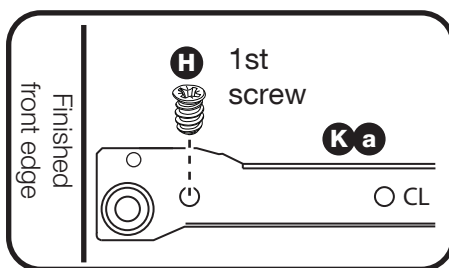
Insert a large locking cam nut **D** into the left side **1**.

Tap a wooden dowel **A** into the left side **1**.



Fixing Bottom Mounter Runners

<https://www.youtube.com/watch?v=Z6lGMMy19h7Q>



Assembly Instructions

Step 11

Prepare the right side

a: Fit 3 CR runners **K b** to the right side **2**.

The 1st screw **H** uses the 1st hole in from the front of the runner.

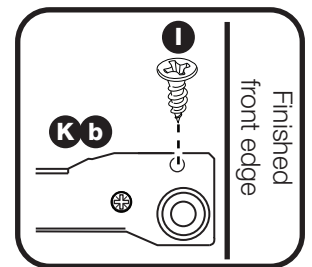
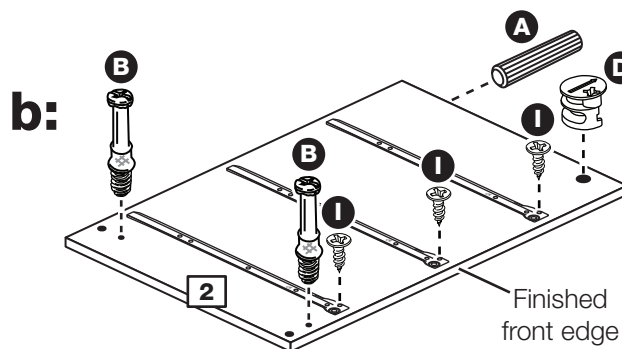
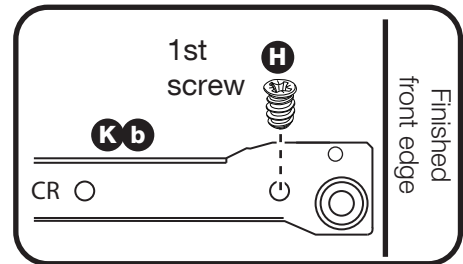
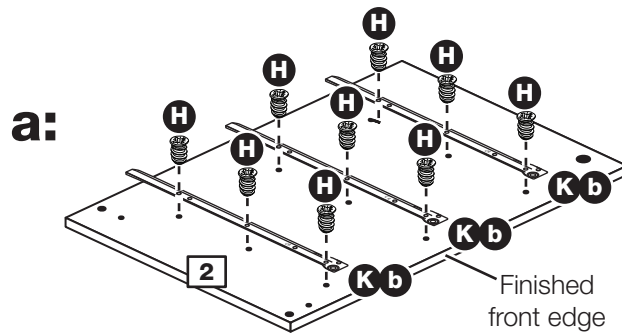
The 2nd and 3rd screws **H** use the holes that line up with the other panel holes.

b: Fit a screw **I** into the hole at the top of the runner **K b**.

Screw 2 metal dowels **B** into the right side **2**.

Insert a large locking cam nut **D** into the right side **2**.

Tap a wooden dowel **A** into the right side **2**.



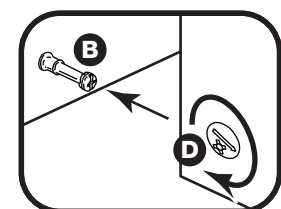
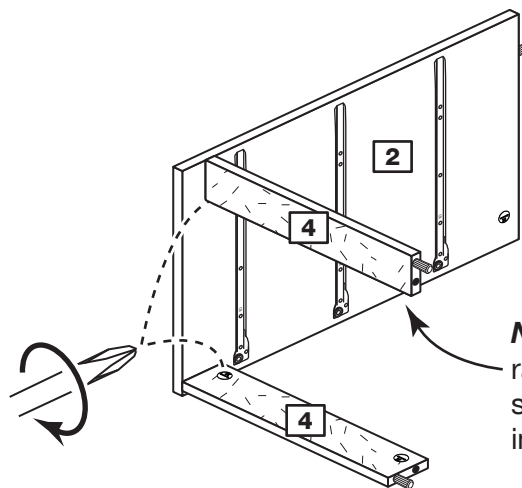
Step 12

Join the right side and rails

Push the 2 rails **4** onto the right side **2**.

Use a screwdriver to tighten the 2 large locking cam nuts **D** fitted to the rails **4**.

Note: Turn the large locking cam nuts **D** as far as they will go - more than 1/2 a turn.



Note: Support this rail until the left side has been fitted in the next step.

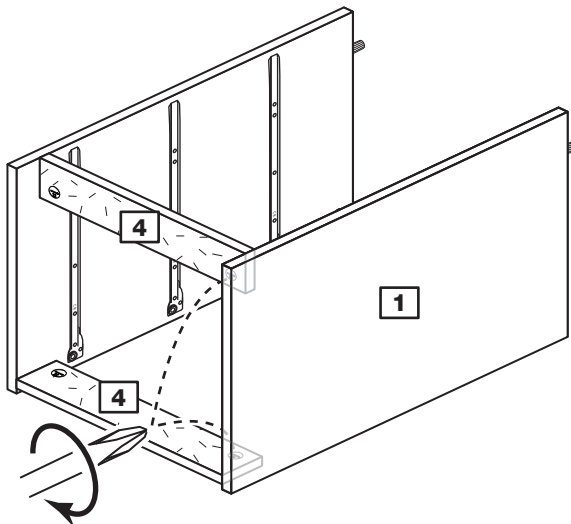
Assembly Instructions

Step 13

Fit the left side

Push the left side **1** onto the 2 rails **4**.

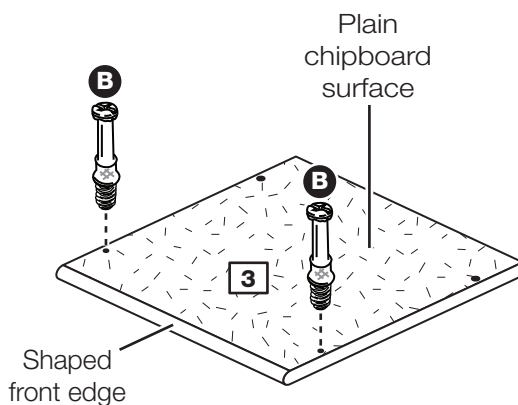
Use a screwdriver to tighten the 2 large locking cam nuts **D** fitted to the rails **4**.



Step 14

Prepare the top

Screw 2 metal dowels **B** into the top **3**.

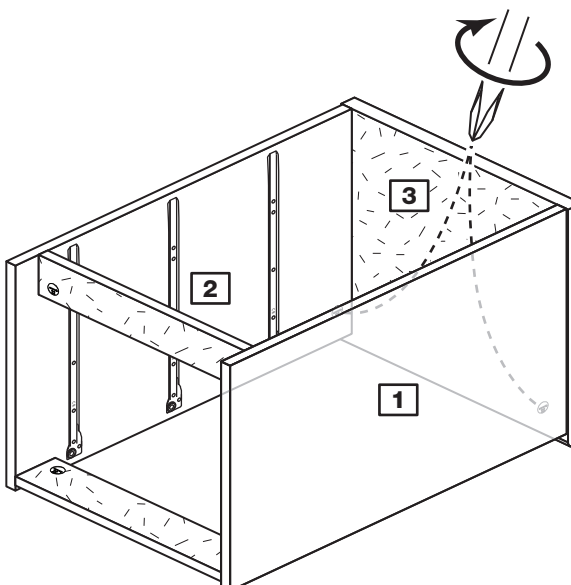


Step 15

Fit the top

Push the top **3** onto the 2 sides **1** and **2**.

Use a screwdriver to tighten the 2 large locking cam nuts **D** fitted to the sides **1** and **2**.



Assembly Instructions

Step 16

Fit the back

a: Square up the unit by making sure that measurement **x to x** equals **y to y**.

b: Place the back **10** onto the unit.

Nail **F** around the outside edges of the back **10**.

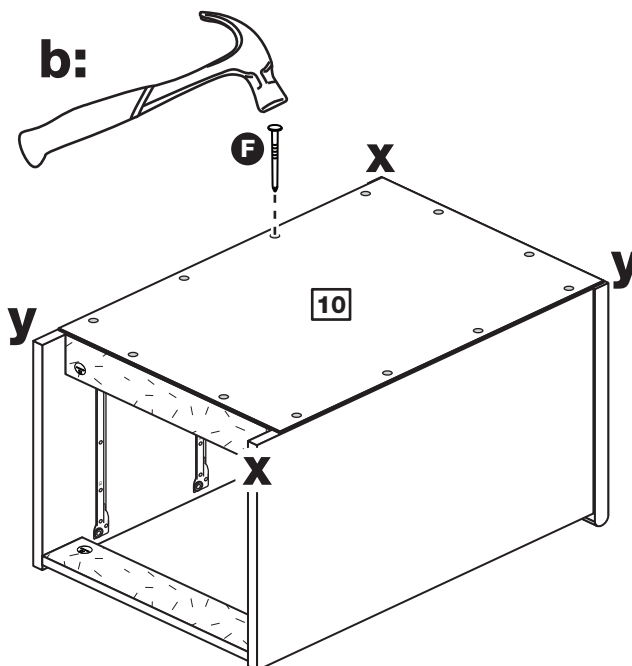
Note: Nails should be spaced about 150mm apart.



Squaring up a Chest and fitting the Back Panel

www.youtube.com/watch?v=Feal6541z7o

a: The measurement from top corner X to bottom corner X must be equal to the measurement from top corner Y to bottom corner Y



Step 17

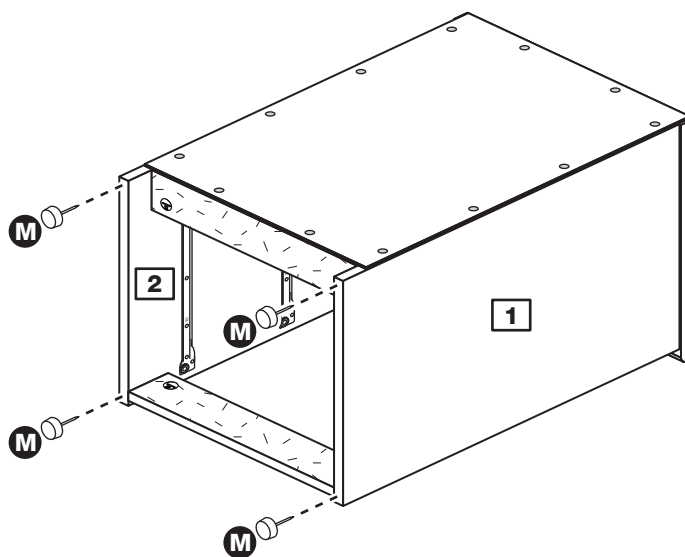
Fit the 4 plastic nails

Tap 2 plastic nails **M** into the bottom edge of each of the sides **1** and **2**.

Stand the unit up for the next step.



Warning: The unit is heavy. Lift with care.



Assembly Instructions

Step 18



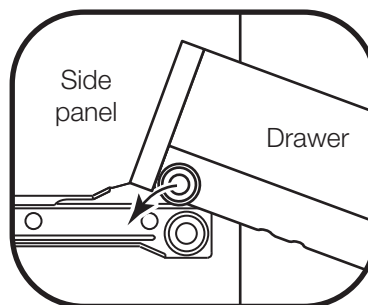
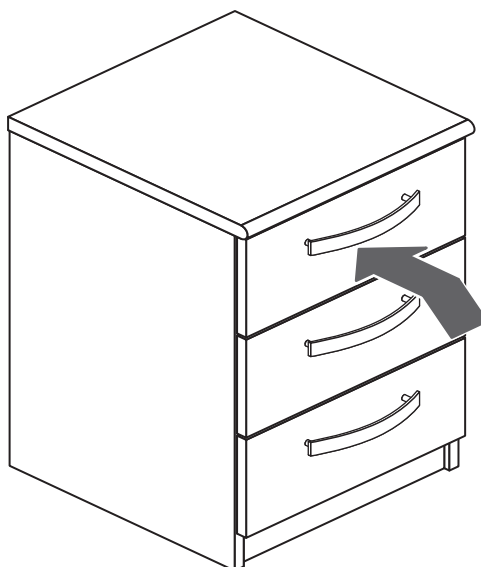
Fixing Bottom Mounter Runners

<https://www.youtube.com/watch?v=Z6lGMy19h7Q>

Fit the drawers

Slide the wheels of the runners fitted to the drawers, over the wheels of the runners fitted to the side panels and push the drawers into position.

Assembly is complete



If you need help or have damaged or missing parts, please visit www.argos-support.co.uk or email: Help@ClickSpares.co.uk (quoting your original order number)
Alternatively, call the Spares Helpline on: 0370 112 1928.
For any other queries please contact the Customer Helpline on: 0345 640 2020