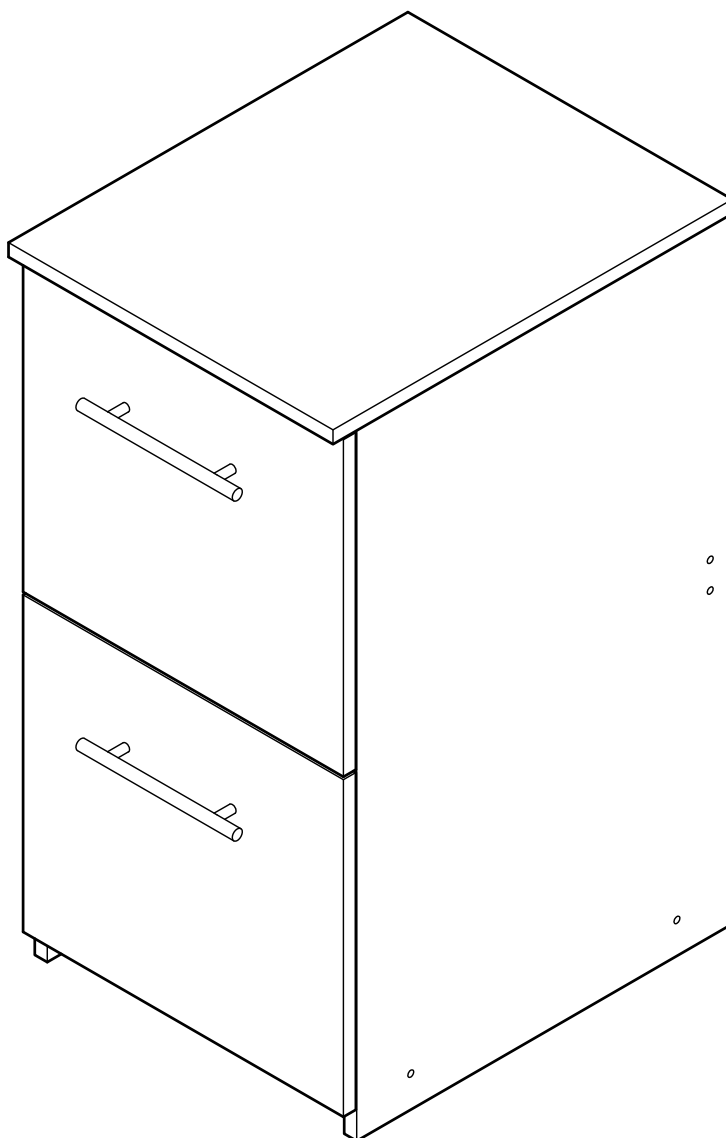


AVR Two Drawer Filer

Assembly Instructions - Please keep for future reference

617/3450

617/3467



Dimensions

Width - 40cm
Depth - 48cm
Height - 76cm

Important - Please read these instructions fully before starting assembly

If you need help or have damaged or missing parts, call the **Customer Helpline: 08456 400800**



Safety and Care Advice

Important - Please read these instructions fully before starting assembly

- Check you have all the components and tools listed on page 2 and 3.
- Remove all fittings from the plastic bags and separate them into their groups.
- Keep children and animals away from the work area, small parts could choke if swallowed.
- Make sure you have enough space to layout the parts before starting.

- Do not stand or put weight on the panels during assembly, this could cause damage.
- Assemble the item as close to its final position (in the same room) as possible.
- Assemble on a soft level surface to avoid damaging the unit or your floor.
- Parts of the assembly will be easier with 2 people.



- We do not recommend the use of power drill/driver **for inserting screws**, as this could damage the unit. Only use hand screwdrivers.
- Dispose of all packaging carefully and responsibly.

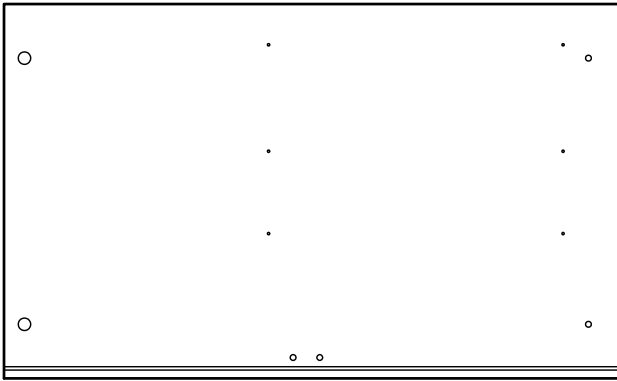
Care and maintenance

- Only clean using a damp cloth and mild detergent, do not use bleach or abrasive cleaners.
- From time to time check that there are no loose screws on this unit.
- This product should not be discarded with household waste. Take to your local authority waste disposal centre.

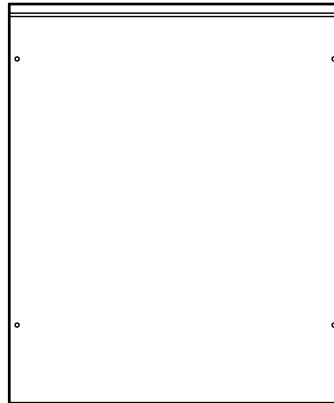
Note: If required the next page can be cut out and used as reference throughout the assembly. Keep this page with these instructions for future reference.

Components - Panels

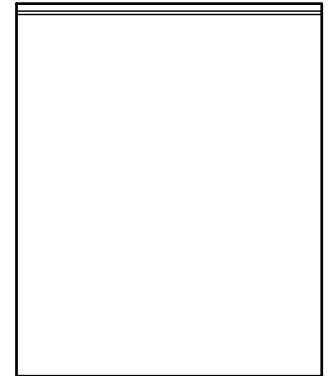
Please check you have all the panels listed below



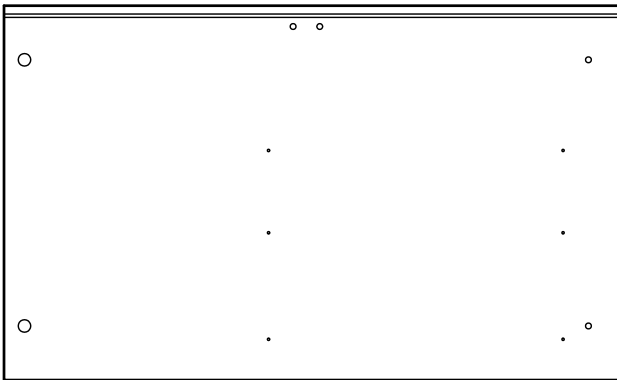
1 Right side (74 x 45cm)



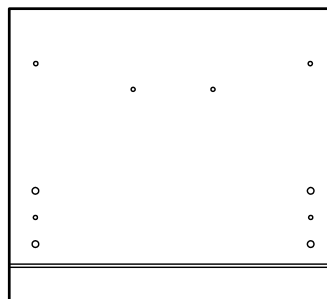
4 Top (40 x 48cm)



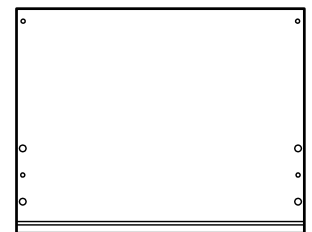
8 Bottom (36.7 x 44.8cm)



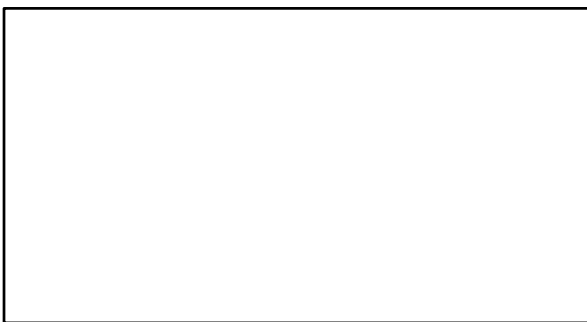
2 Left side (74 x 45cm)



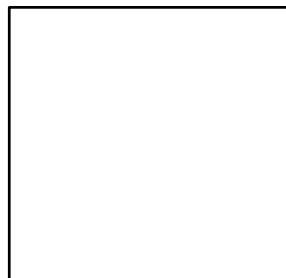
5 Drawer front x 2
(39.4 x 35.1cm)



9 Drawer back x 2
(34.6 x 27cm)



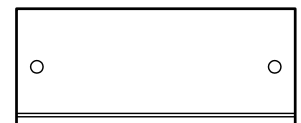
3 Back (70.6 x 37.8cm)



6 Drawer bottom x 2
(34.5 x 32.8cm)



10 Drawer right side x 2
(33.5 x 14cm)



11 Drawer left side x 2
(33.5 x 14cm)



7 Back support (36.7 x 8cm)



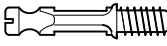


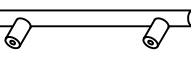

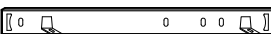


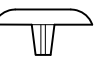


Components - Fittings

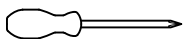
If you have damage or missing components, call the **Customer Helpline: 08456 400800**

Please check you have all the fittings listed below

Note: The quantities below are the correct amount to complete the assembly. In some cases more fittings may be supplied than are required.

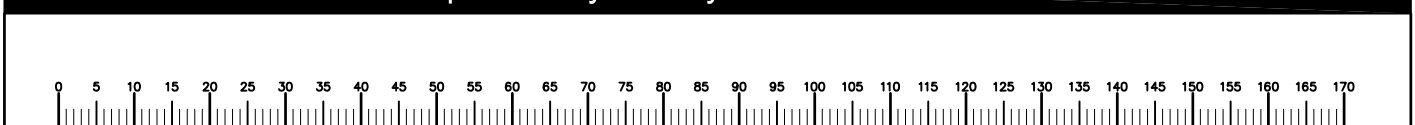
<p>A </p> <p>57mm Screw x 8</p>	<p>B </p> <p>Dowels x 16</p>	<p>C </p> <p>Locking pin x 12</p>
<p>D </p> <p>Locking nuts x 12</p>	<p>E </p> <p>12mm Screw x 20</p>	<p>F </p> <p>Handle x 2</p>
<p>G </p> <p>Handle screw x 4</p>	<p>H </p> <p>Left side track x 2</p>	<p>J </p> <p>Right side track x 2</p>
<p>K </p> <p>Rail x 4</p>	<p>L </p> <p>Plastic plug x 8</p>	

Tools required



Phillips screwdriver
(medium & large)

Ruler - Use this ruler to help correctly identify the screws



Assembly Instructions

Step 1

Fitting the track

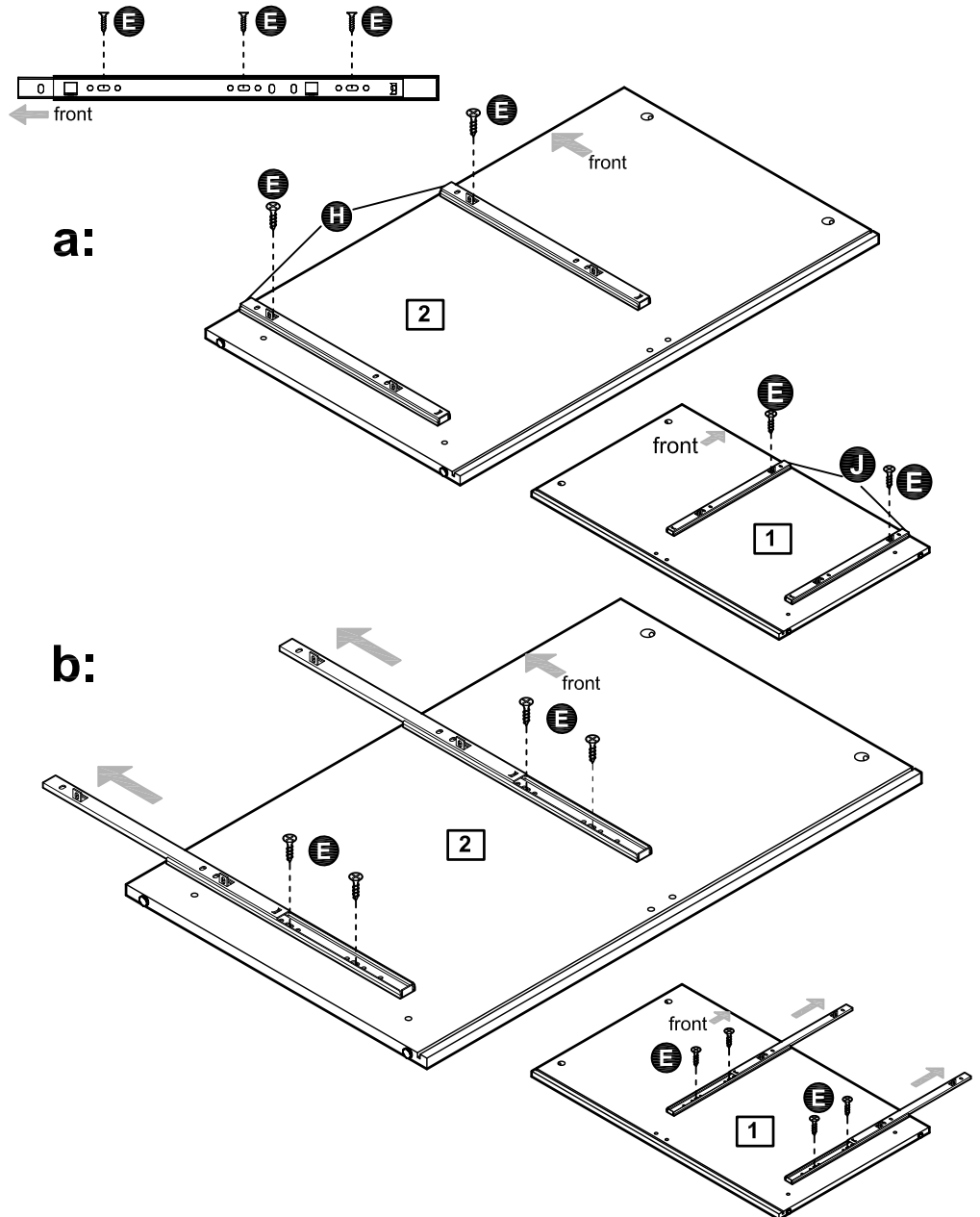
a: Use screws **E** to fix the left side track **H** on the left side panel **2**.

NOTE: Ensure the screws **E** are located using the centre of the three locating holes.

The front part of the track should be close to the edge of the panel.

b: Slide the tracks to other side, then use screws **E** to fix the tracks.

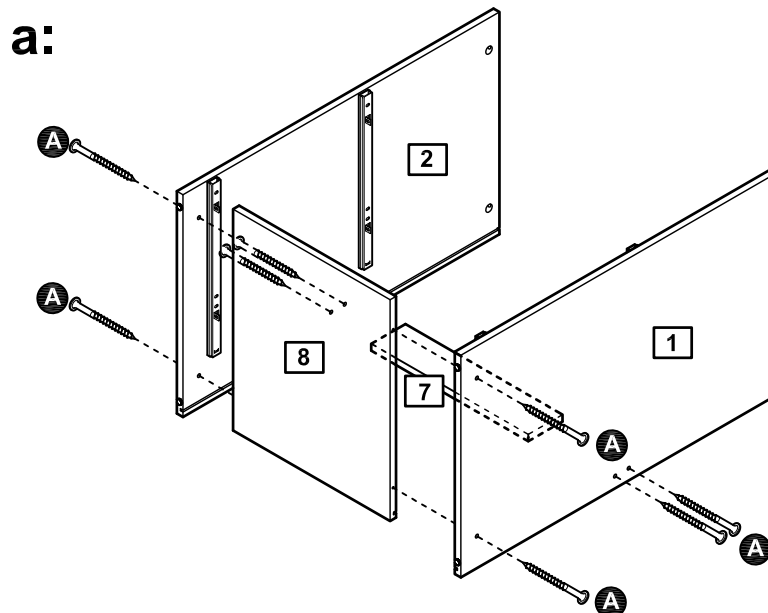
Use the same method as in a: and b: to fix the right side tracks **J** on the right side panel **1**.



Step 2

Fitting the side panels

a: Use screws **A** to fix the right side panel **1** and left side panel **2** onto the bottom panel **8** and back support **7**.



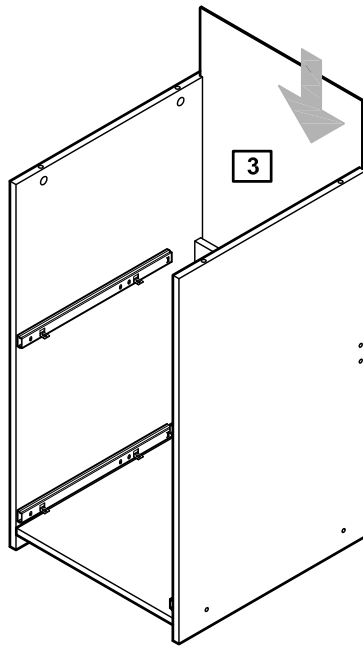
Continued on next page.

Assembly Instructions

Step 2 -continued

b: Slide back panel **3** into the unit.

b:

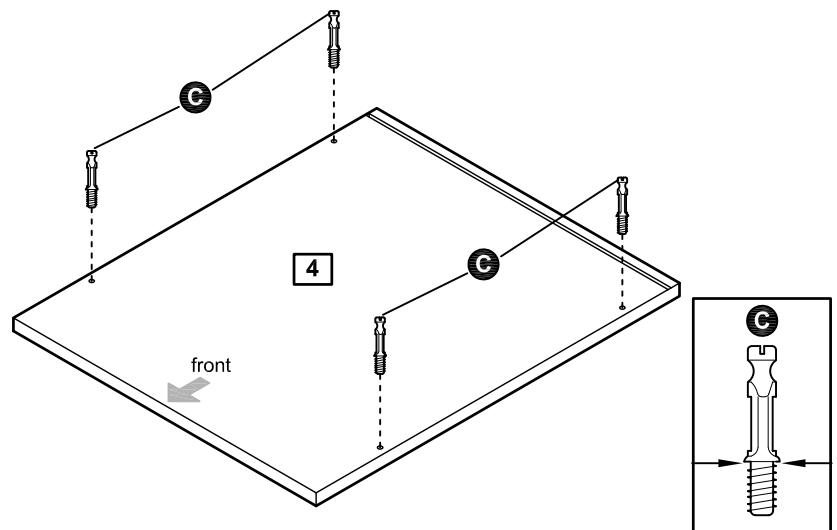


Step 3

Fitting the top panel

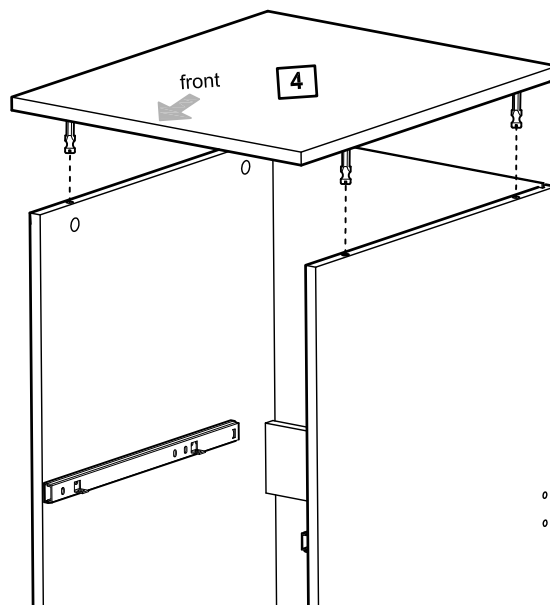
a: Screw locking pins **G** onto the top panel **4**. Insert locking pins as far as shown.

a:



b: Carefully locate the top panel **4** onto the unit.

b:



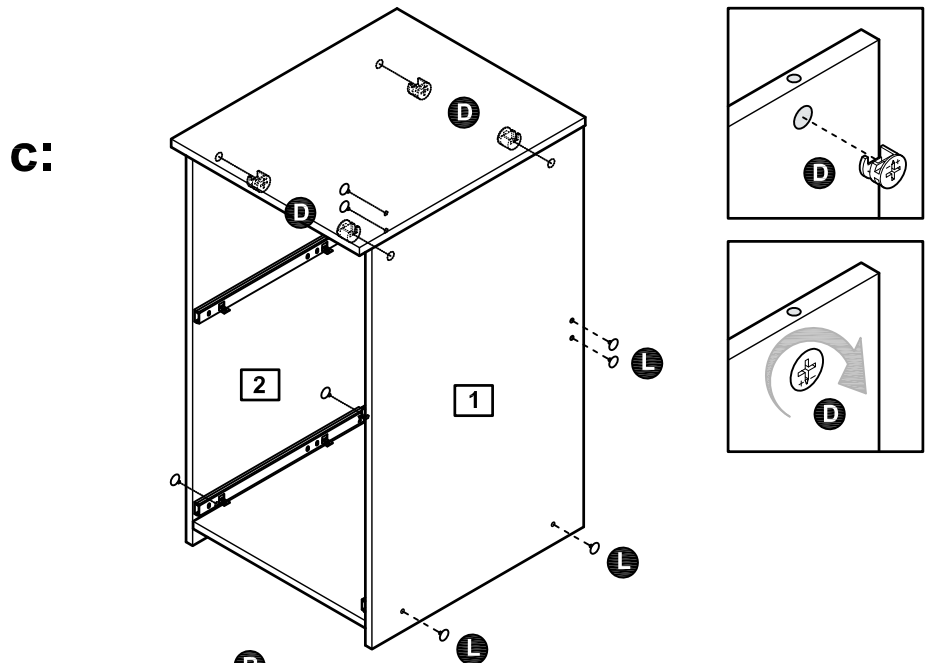
Continued on next page.

Assembly Instructions

Step 3 -continued

c: Insert locking nuts **D** into right side panel **1** and left side panel **2**, then use a screwdriver to turn locking nuts **D** clockwise to lock.

Use plastic plugs **L** to cover the screws.



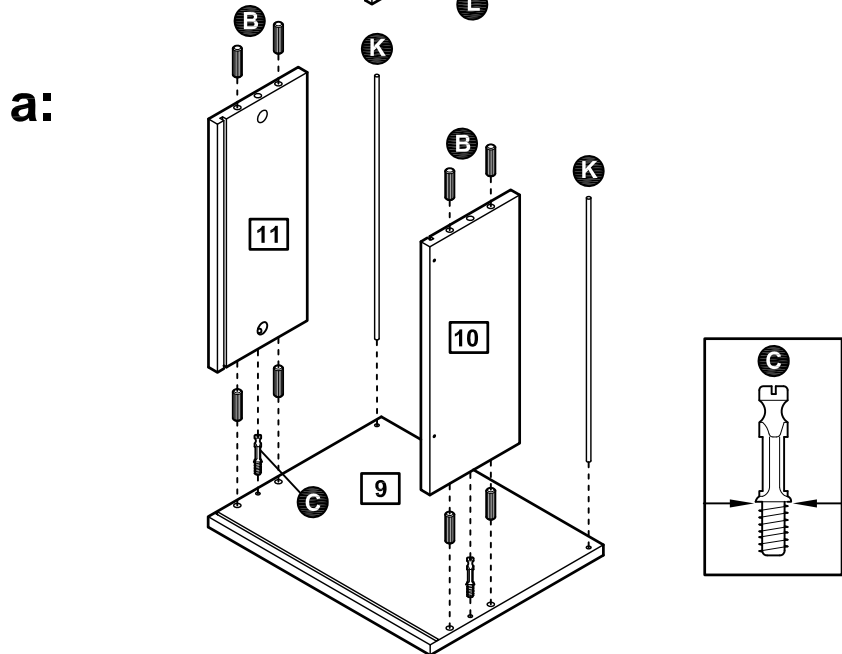
Step 4

Fitting the drawer

a: Insert dowels **B** into drawer right side panel **10** and drawer left side panel **11**.

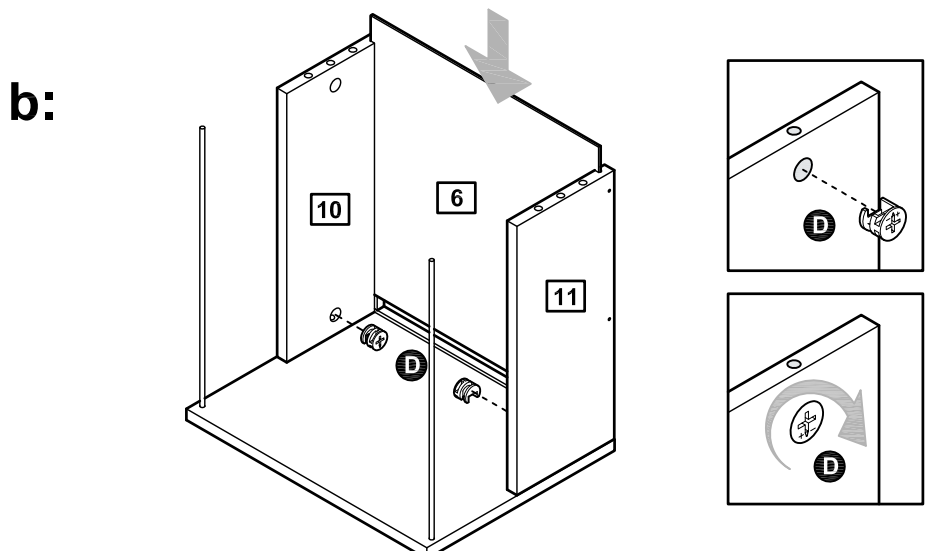
Screw locking pins **C** into drawer back panel **9**. Insert locking pins as far as shown.

Carefully insert the rails **K**, drawer right side panel **10** and drawer left side panel **11** onto drawer back panel **9**.



b: Insert locking nuts **D** into drawer right side panel **10** and drawer left side panel **11**, then use a screwdriver to turn locking nuts **D** clockwise to lock.

Slide the drawer bottom panel **6** into the unit.



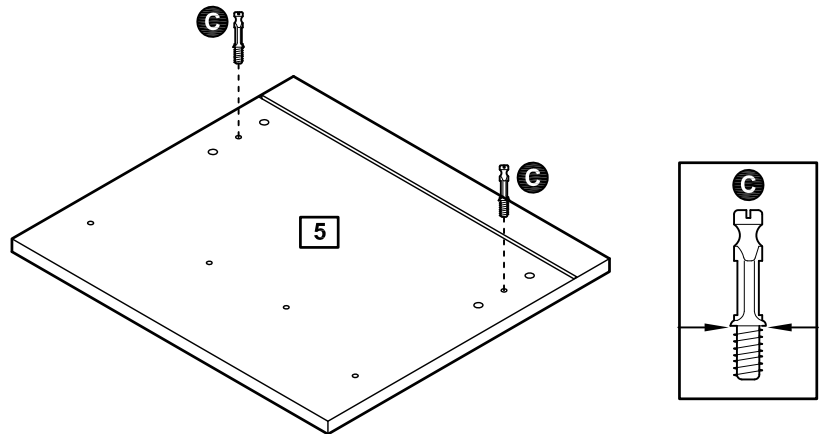
Continued on next page.

Assembly Instructions

Step 4 -continued

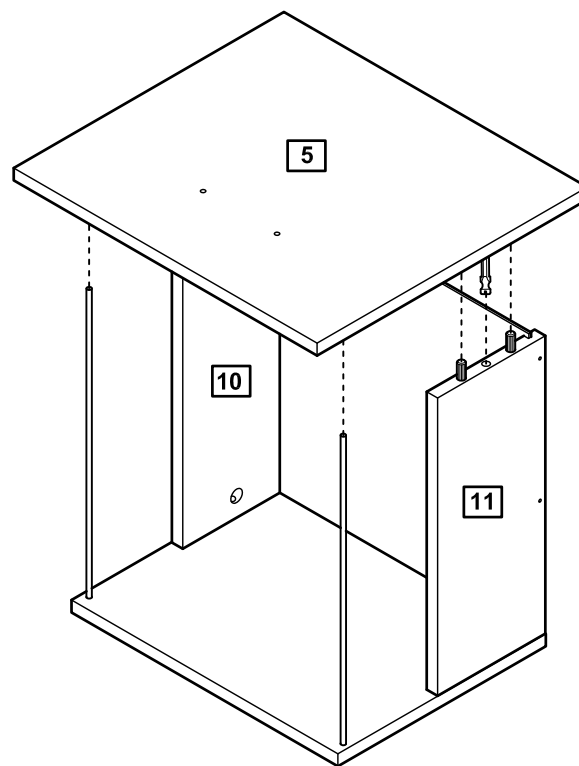
c: Screw locking pins **C** into drawer front panel **5**. Insert locking pins as far as shown.

c:



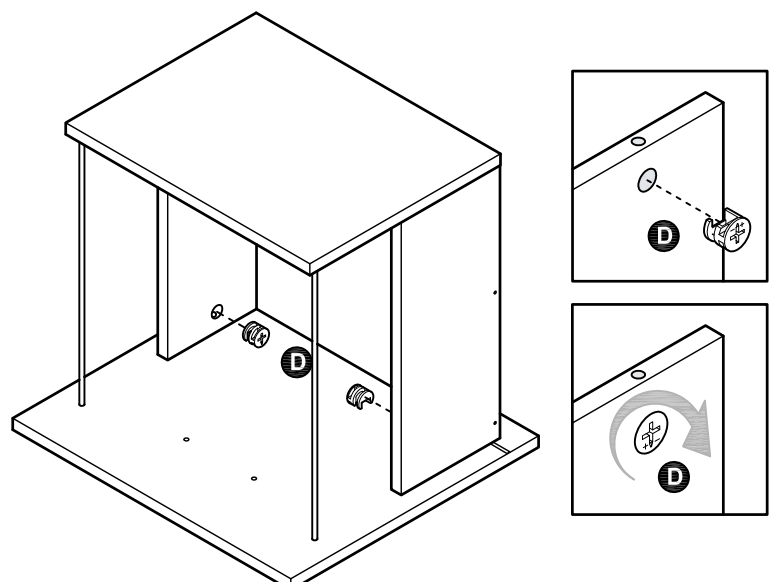
d: Carefully locate the drawer front panel **5** onto the unit.

d:



e: Insert locking nuts **D** into drawer right side panel **10** and drawer left side panel **11**, then use a screwdriver to turn locking nuts **D** clockwise to lock.

e:



Continued on next page.

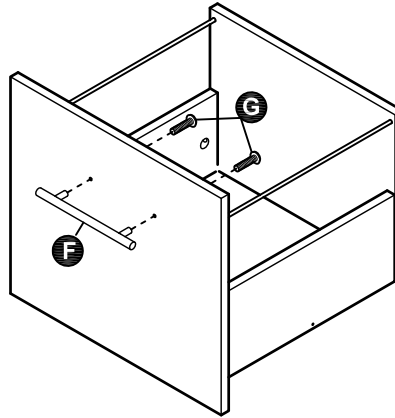
Assembly Instructions

Step 4 -continued

f: Use handle screws **G** to fix the handle **F** onto the drawer front panel **5**.

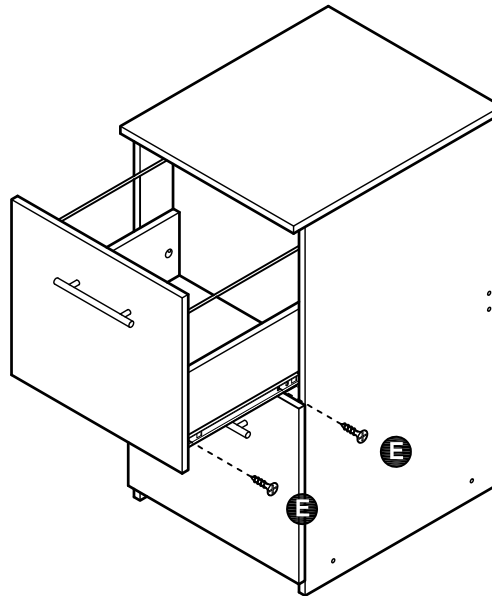
Use the same method as in a: - f: to fix the other drawer.

f:



g: Use screws **E** to fix the drawers onto the tracks.

g:

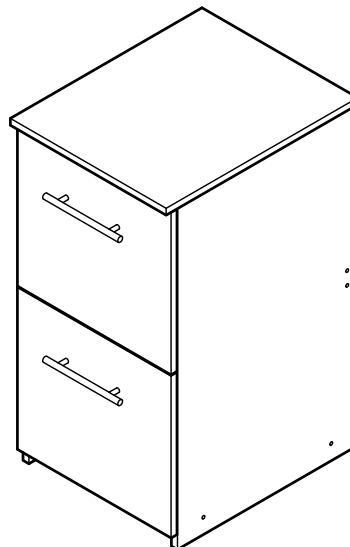


Step 5

Finishing the unit

Carefully place the unit in the desired location.

Assembly is complete.



If you need help or have damaged or missing parts, call the **Customer Helpline: 08456 400800**