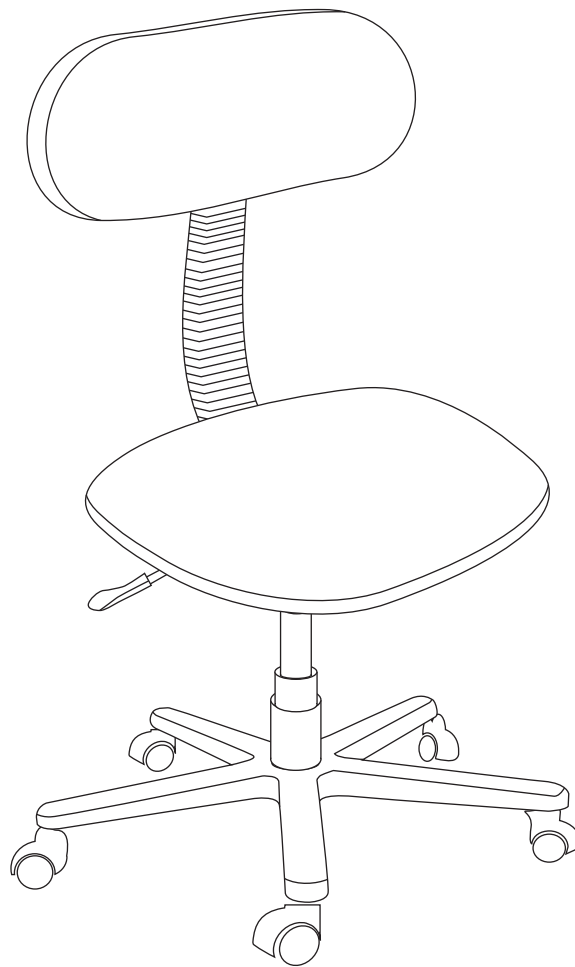


Black Gas Lift Chair

Assembly Instructions - Please keep for future reference

617/1799



Dimensions

Width-42cm
Depth-48cm
Height-77-89cm

Important - Please read these instruction fully before starting assembly

If you need help or have damaged or missing parts, call the **Customer Helpline: 0845 640 0800**



Safety and Care Advice

Important - Please read these instructions fully before starting assembly

- Check you have all the components and tools listed on pages 2 and 3.

- Remove all fittings from the plastic bags and separate them into their groups.

- Keep children and animals away from the work area, small parts could choke if swallowed.

- Make sure you have enough space to layout the parts before starting.

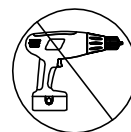
- Retain these instructions for future reference

- Do not stand or put weight on the product during assembly, this could cause damage.

- Assemble the item as close to its final position (in the same room) as possible.

- Assemble on a soft level surface to avoid damaging the unit or your floor.

- Parts of the assembly will be easier with 2 people.



- We do not recommend the use of power drill/drivers **for inserting screws**, as this could damage the unit. Only use hand screwdrivers.

- Dispose of all packaging carefully and responsibly.

- Do not use this item if any components are missing or damaged

Care and maintenance

- Only clean using a damp cloth and mild detergent, do not use bleach or abrasive cleaners.

- From time to time check that there are no loose screws on this unit.

- This product should not be discarded with household waste. Take to your local authority waste disposal centre.

Safety during use

- Do not stand on chair. Do not use this chair as a step ladder.

- At least every 4 months, check all bolts, screws and knobs, to be sure they are tight.

- Use this product only for seating one person at a time

- If parts are missing, broken, damaged or worn, stop using this product until repairs are made. Use only factory authorised parts.

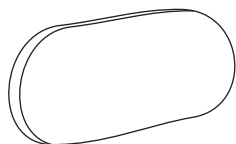
- Do not use this chair unless all bolts, screws and knobs are firmly secured.

- Failure to follow these warnings could result in serious injury.

Components - Parts

If you have damaged or missing components, call the **Customer Helpline: 0845 6400800**

Please check you have all the parts listed below



1 Backrest
(385x210x45mm)



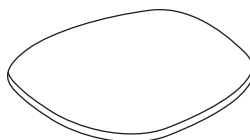
2 Plastic cap
(135x45mm)



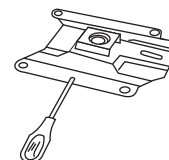
3 Metal bracket
(130x30mm)



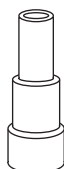
4 Backrest stem
(520x65mm)



5 Seat
(420x385x45mm)



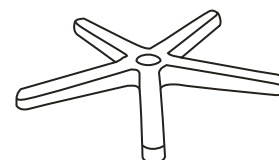
6 Mechanism
(185x135mm)



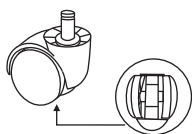
7 Telescoping cover
(Φ 75x320mm)



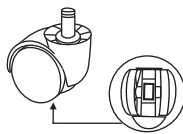
8 Gas lift
(Φ 50x210mm)



9 Star base
(R270mm)



10 Normal castor x3
(Φ 50mm)



11 Brake castor x2
(Φ 50mm)

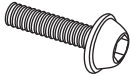


Components - Fittings

Please check you have all the fittings listed below

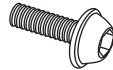
Note: The quantities below are the correct amount to complete the assembly. In some cases more fittings may be supplied than are required.

A



M6x18mm bolt x2

B



M6x14mm bolt x4

C



5mm Allen key x1

Tools required



Ruler/tape
measure



Ruler - Use this ruler to help correctly identify the screws

0 5 10 15 20 25 30 35 40 45 50 55 60 65 70 75 80 85 90 95 100 105 110 115 120 125 130 135 140 145 150 155 160 165 170

Assembly Instructions

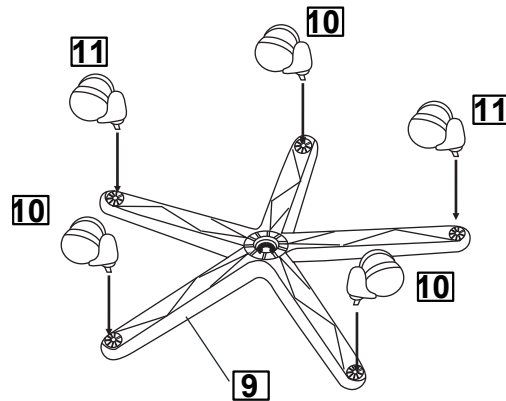
Step 1

Attaching castors

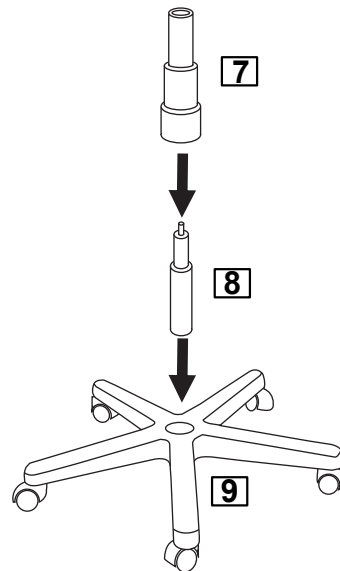
a: Insert castors **10** and **11** into star base **9**, Making sure they are in alternate positions on the base.

b: Turn star base **9** over and place it on the floor. Insert gas lift **8** into the center hole of star base **9**; Place telescoping cover **7** over the gas lift **8**.

a:



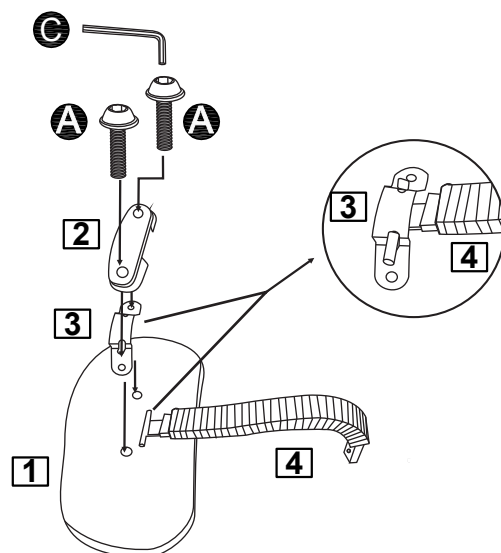
b:



Step 2

Attaching back rest

Attach the backrest stem **4** to the back rest **1** with metal bracket **3** and plastic cap **2** by using bolts **A**



Assembly Instructions

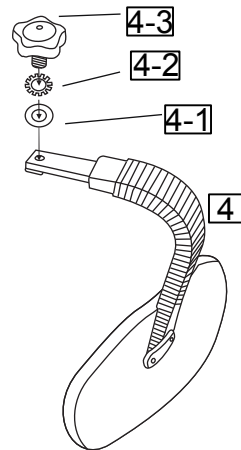
Step 3

Attaching mechanism

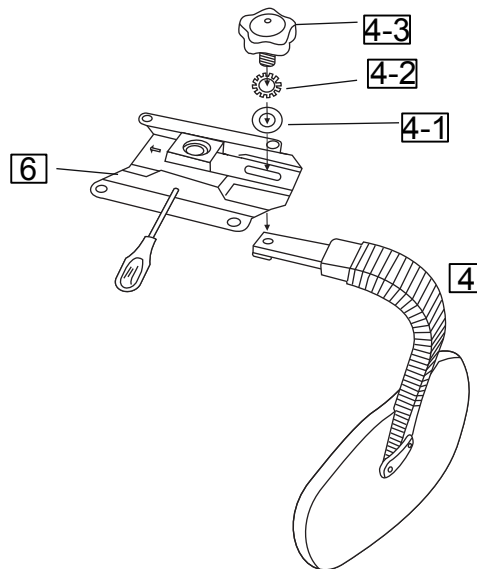
a: Loosen the knob **4-3** and washers **4-1** and **4-2** from the backrest stem **4**.

b: Attach the backrest stem to the mechanism **6** with knob **4-3**, washers **4-2** and **4-1**.

a:



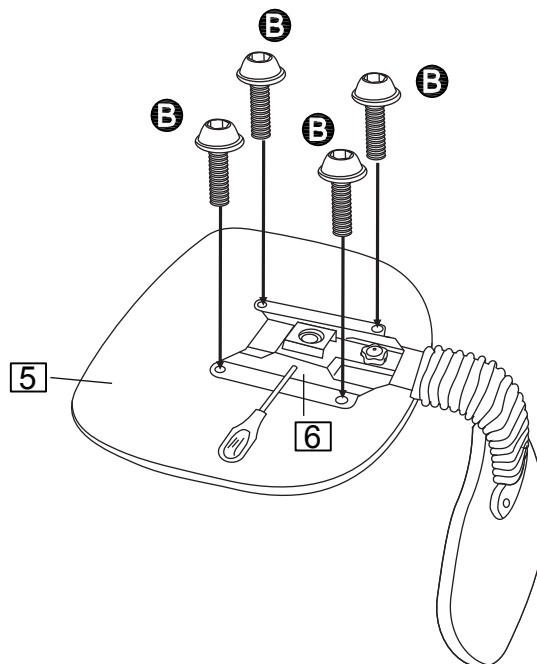
b:



Step 4

Assembling the seat cushion

Attach the mechanism **6** to the seat **5** by bolts **B**.

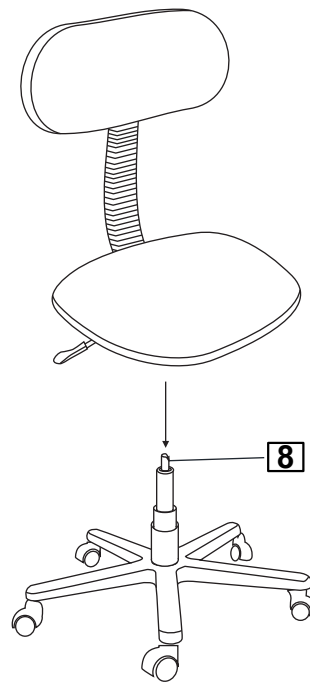


Assembly Instructions

Step 5

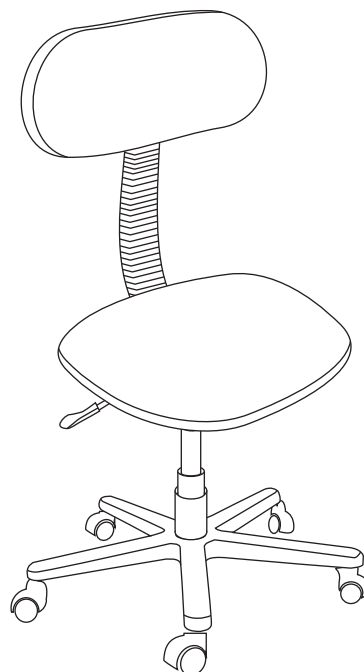
Assembling unit

Place the seat unit onto the top of gas lift **8**.



Step 6

Assembly is complete.



If you need help or have damaged or missing parts, call the **Customer Helpline: 0845 640 0800**