

Hot Pink/Blue/Black Gas Lift Office Chair

Assembly Instructions - Please keep for future reference

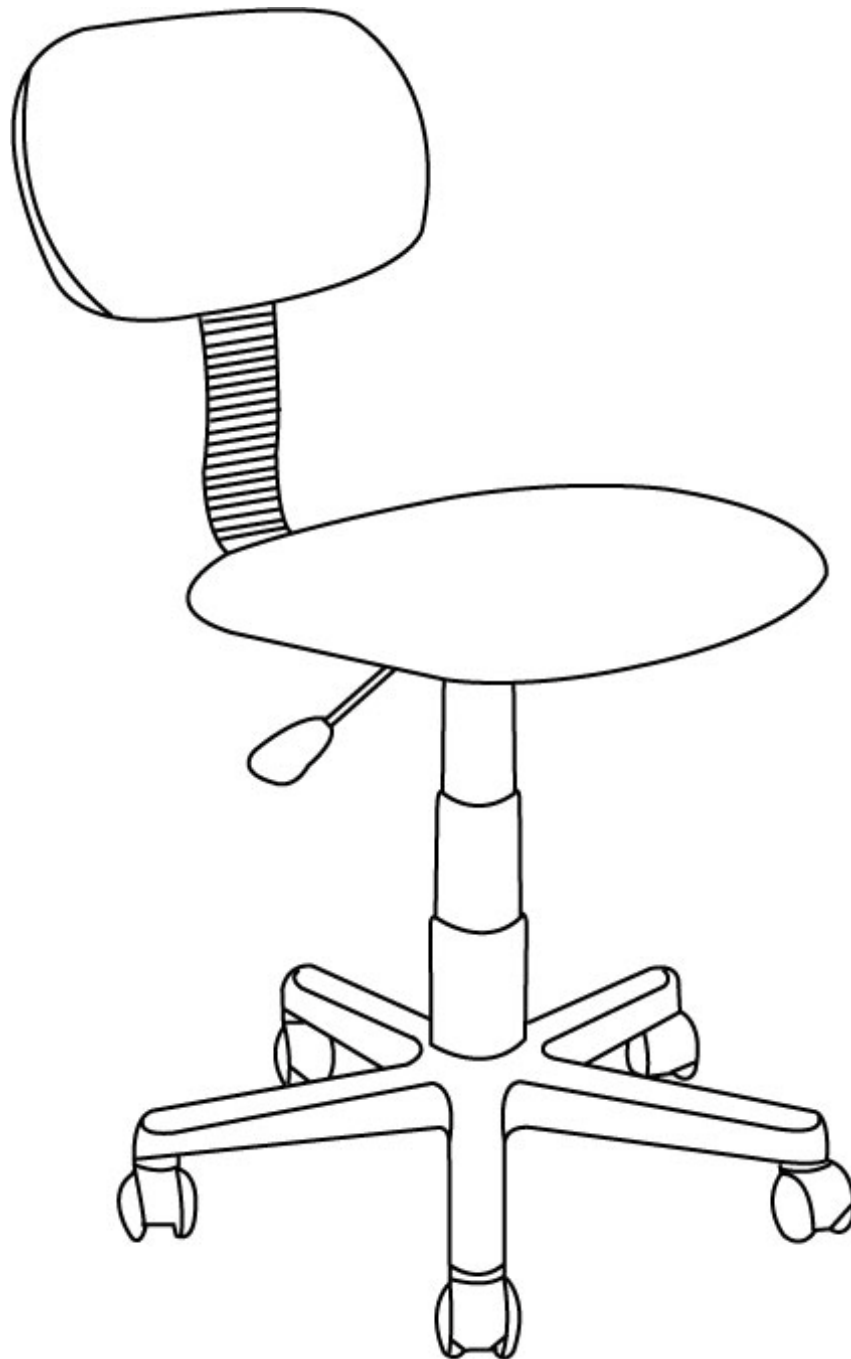
617/1232

617/1957

617/1799

145/1751

166/9622



Dimensions

Width - 43cm

Depth - 49cm

Height - 78.5-90.5cm

Important - Please read these instructions fully before starting assembly

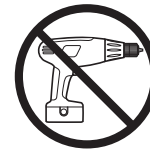
If you need help or have damaged or missing parts, call the **Customer Helpline: 0845 640 0800**



Safety and Care Advice

Important - Please read these instructions fully before starting assembly

- Check you have all the components and fittings listed on pages 3.
- Remove all fittings from the plastic bags and separate them into their groups.
- Keep children and animals away from the work area, small parts could choke if swallowed.
- Make sure you have enough space to layout the parts before starting.
- Do not stand or put weight on the product, this could cause damage.
- Assemble the item as close to its final position (in the same room) as possible.
- Assemble on a soft level surface to avoid damaging the unit or your floor.
- Parts of the assembly will be easier with 2 people.



- We do not recommend the use of power drill/drivers **for inserting screws**, as this could damage the unit. Only use hand screwdrivers.
- Dispose of all packaging carefully and responsibly.

Care and maintenance

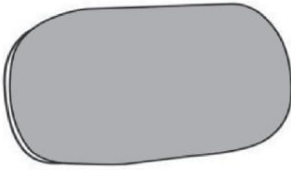
- Only clean using a damp cloth and mild detergent, do not use bleach or abrasive cleaners.
- To avoid any risk of suffocation to animals or children dispose of the plastic bags immediately.
- From time to time check that there are no loose screws on this unit.
- This product should not be discarded with household waste. Take to your local authority waste disposal centre.

Safety during use

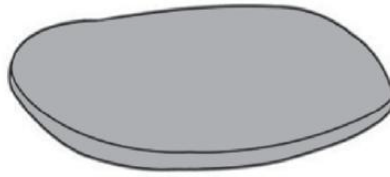
- Do not stand on this chair. Do not use this chair as a step ladder.
- Use this product only for seating one person at a time.
- Do not use this chair unless all bolts, screws and knobs are firmly secured.
- At least every 4 months, check all bolts, screws and knobs, to be sure they are tight.
- If parts are missing, broken or damaged or worn, stop use of this product until repairs are made & using factory authorized parts.
- Failure to follow these warnings could result in serious injury.

Component - Parts

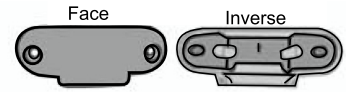
Please check you have all the components listed below



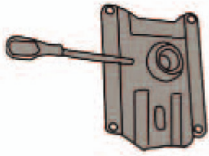
1 Backrest (38x 22cm)



2 Seat Cushion (42 x 39cm)



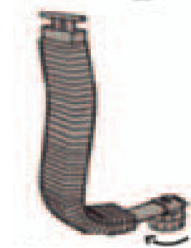
3 Connector



4 Seat Support (KD057-1)



5 Base (270mm)



6 Back support



7 Castor (R50mm)



8 Cover





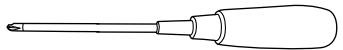
9 Gas lift (120mm)/400NT

Components - Fittings

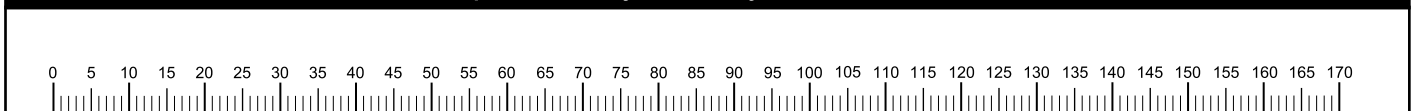
If you have damaged or missing components, call the **Customer Helpline: 0845 640 0800**

Please check you have all the fittings listed below

Note: The quantities below are the correct amount to complete the assembly. In some cases more fittings may be supplied than are required.

<p>A</p>  <p>28.6mm Screw x 2</p>	<p>B</p>  <p>15.9mm Screw X 4</p>	 <p>Tools required</p>
---	---	---

Ruler- Use this ruler to help correctly identify the screws



Assembly Instructions

NOTE: It would be useful to ask someone to help you assemble the chair.

Step 1

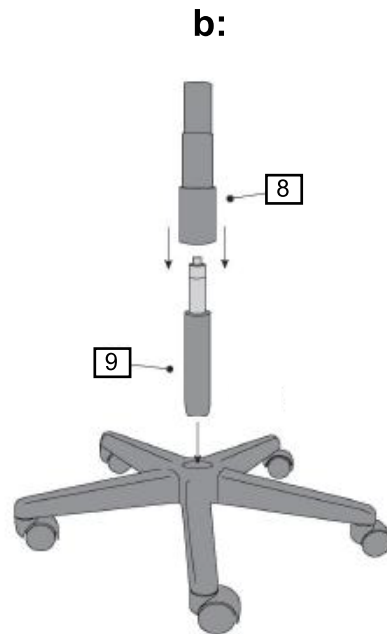
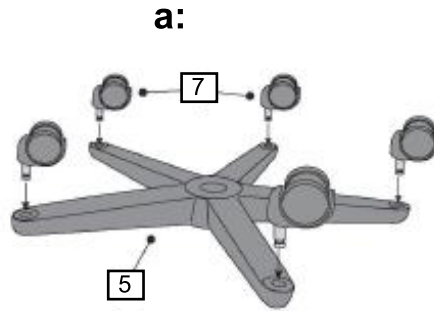
Fitting the base

a: Push all the five castors **7** onto the base **5**.

NOTE: Ensure all the castors are firmly located on the base.

b: Insert the gas lift **9** into the base, then slide the cover **8** over the top.

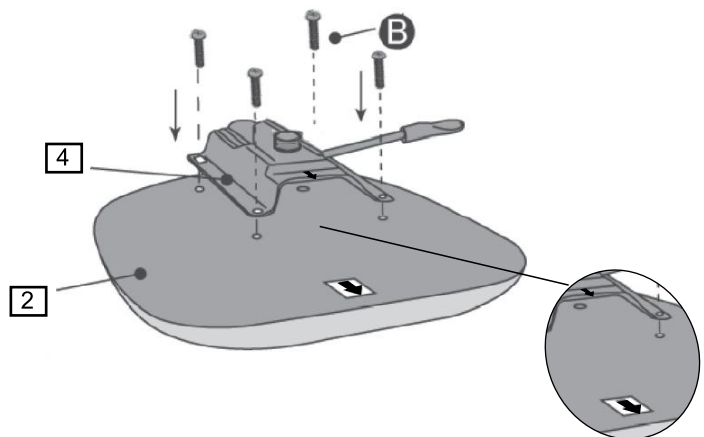
NOTE: Ensure the gas lift is fully inserted and well fitted.



Step 2

Fitting the seat cushion

Use screw **B** to fix seat support **4** onto the seat cushion **2**, ensure the support is fitted to the seat cushion with correct orientation.



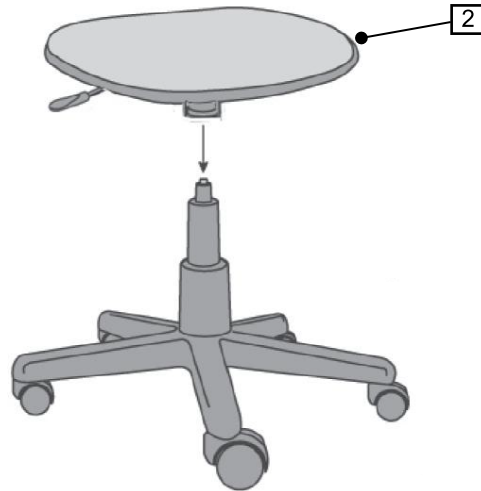
Assembly Instructions

Step 3

Fitting the unit

Carefully locate the seat cushion **2** onto the base unit.

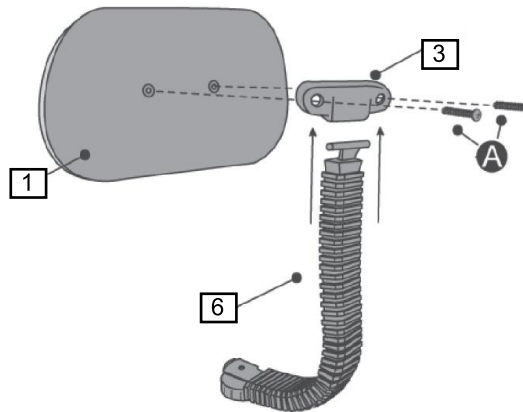
NOTE: Take care during assembly as the parts can not be disassembled after fitting.



Step 4

Fitting the backrest

Use screw **A** to fix the back support **6** and connector **3** onto backrest **1**.



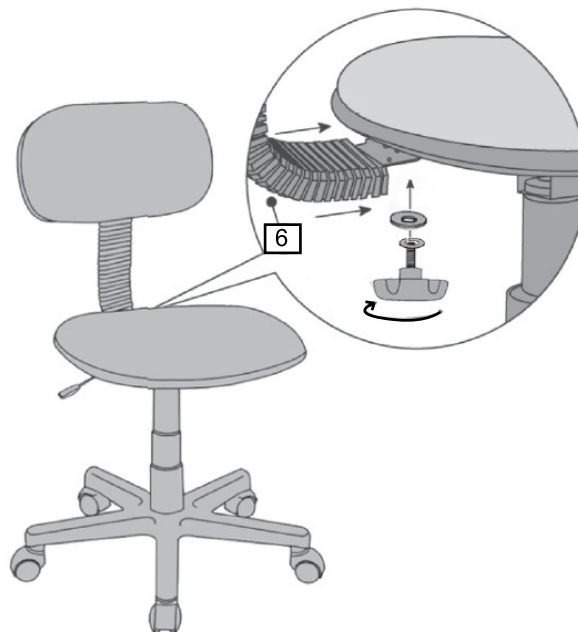
Step 5

Finishing the unit

Release the locking Screw from back support **6**, then fit the back support **6** onto the base unit and tighten the locking screw.

NOTE: Make sure all the screws are tightly fitted.

Assembly is complete.



If you need help or have damaged or missing parts, call the **Customer Helpline:0845 640 0800**
489-499 Avebury Boulevard Milton Keynes MK9 2NW Argos Limited