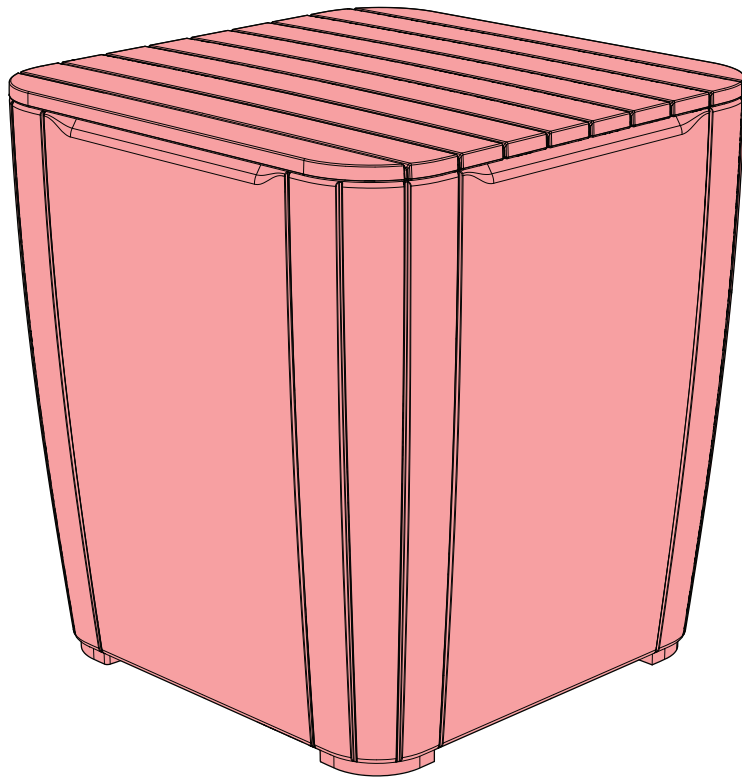


# *LUZON*

---

## *TABLE*



"LUZON TABLE" V1.0 / 573028 / 442160

**ALLIBERT** 

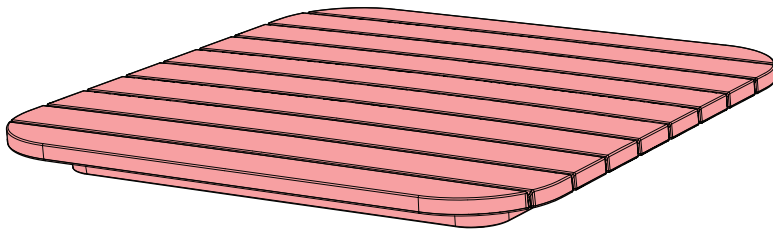
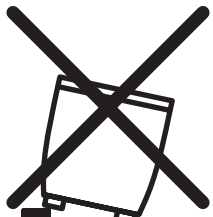
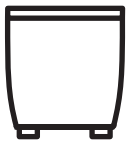
Ericssonstraat 17 | 5121 MK Rijen | The Netherlands | [WWW.ALLIBERT-OUTDOOR.COM](http://WWW.ALLIBERT-OUTDOOR.COM)



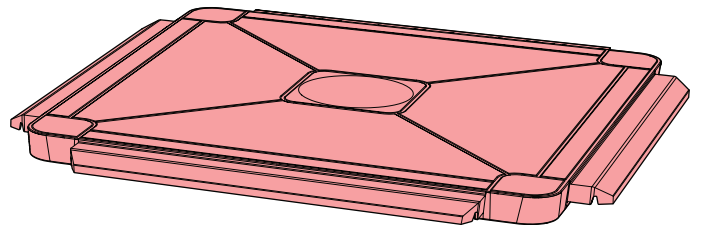
NEN 581



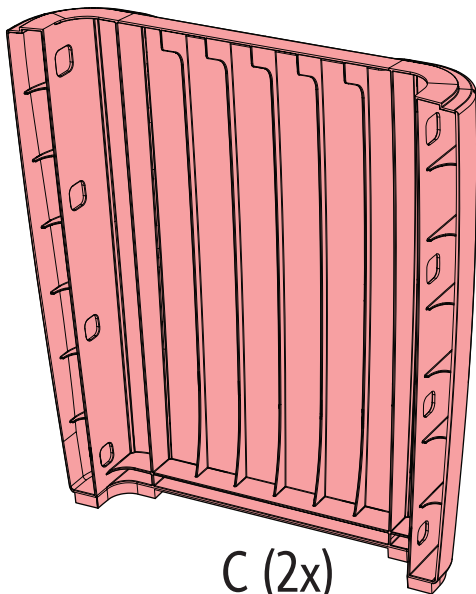
 < 110 kg



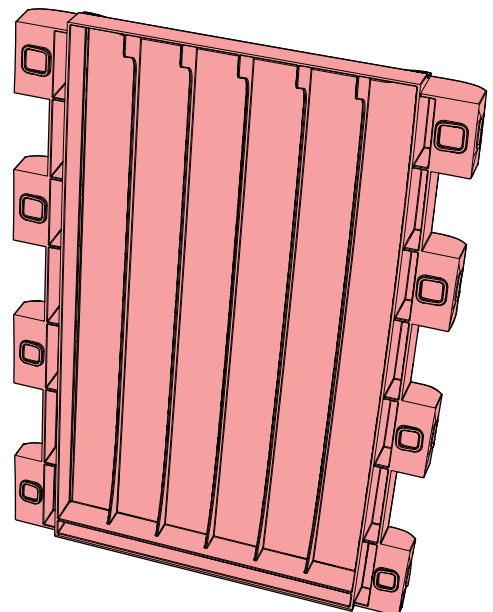
A



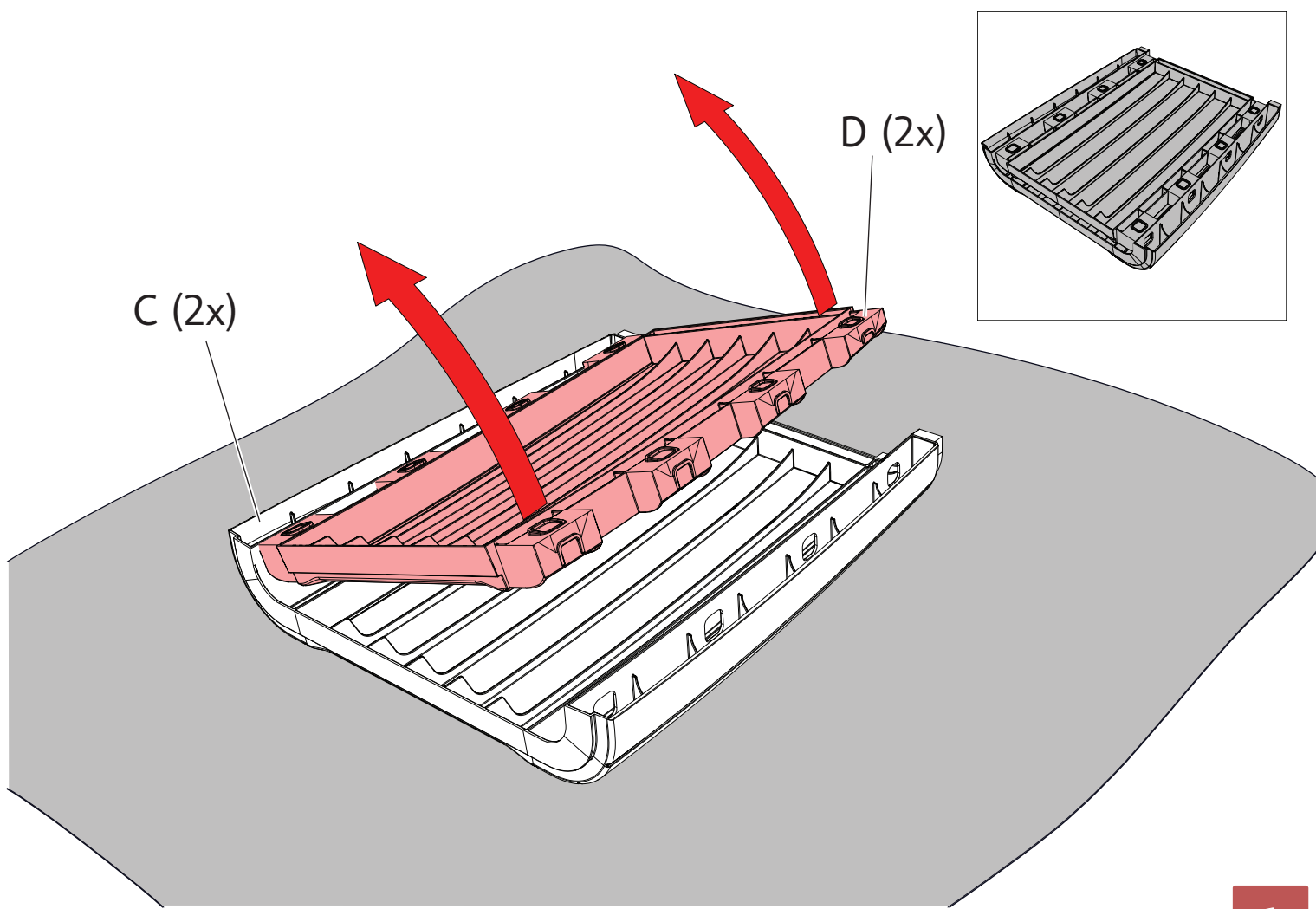
B



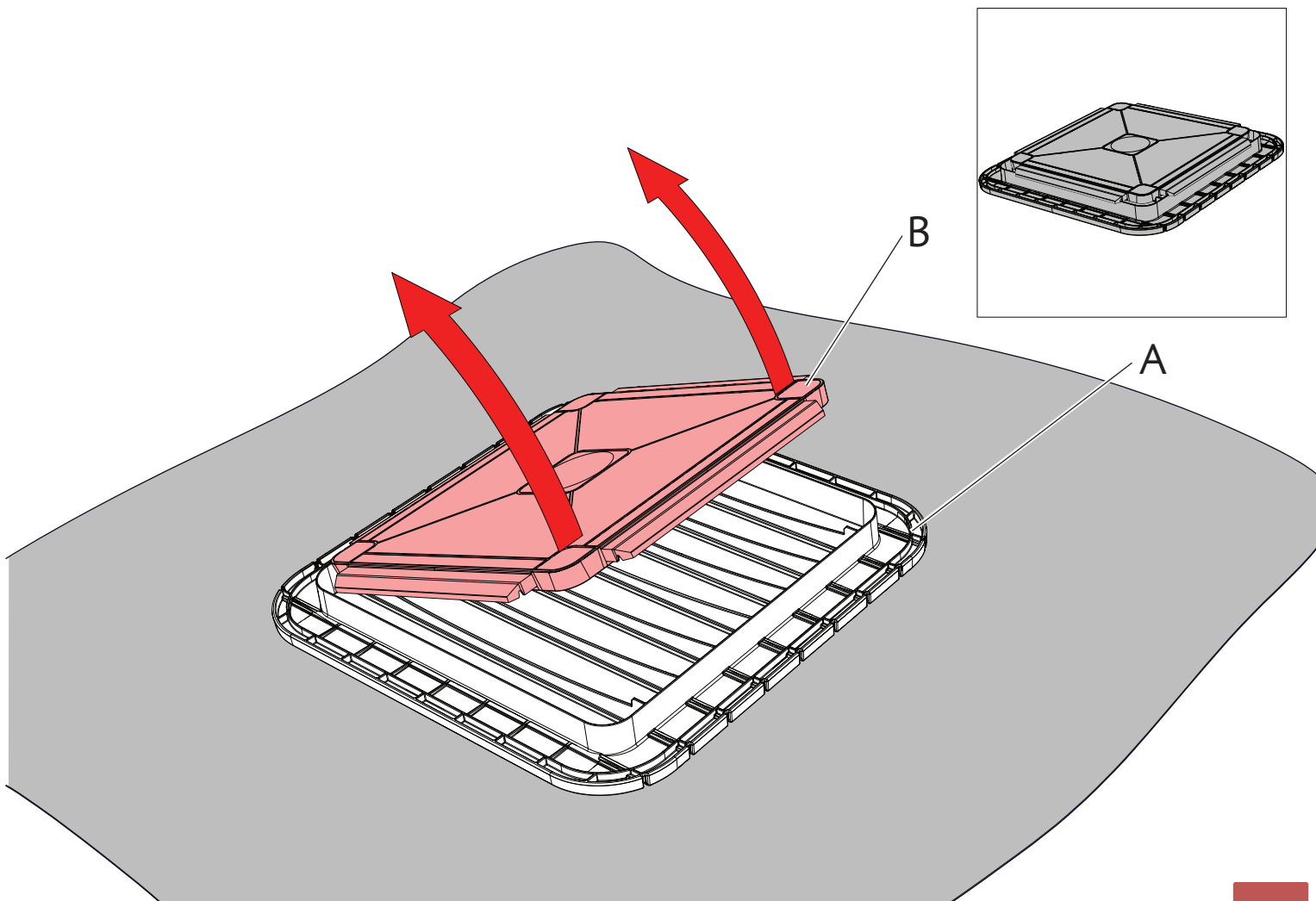
C (2x)



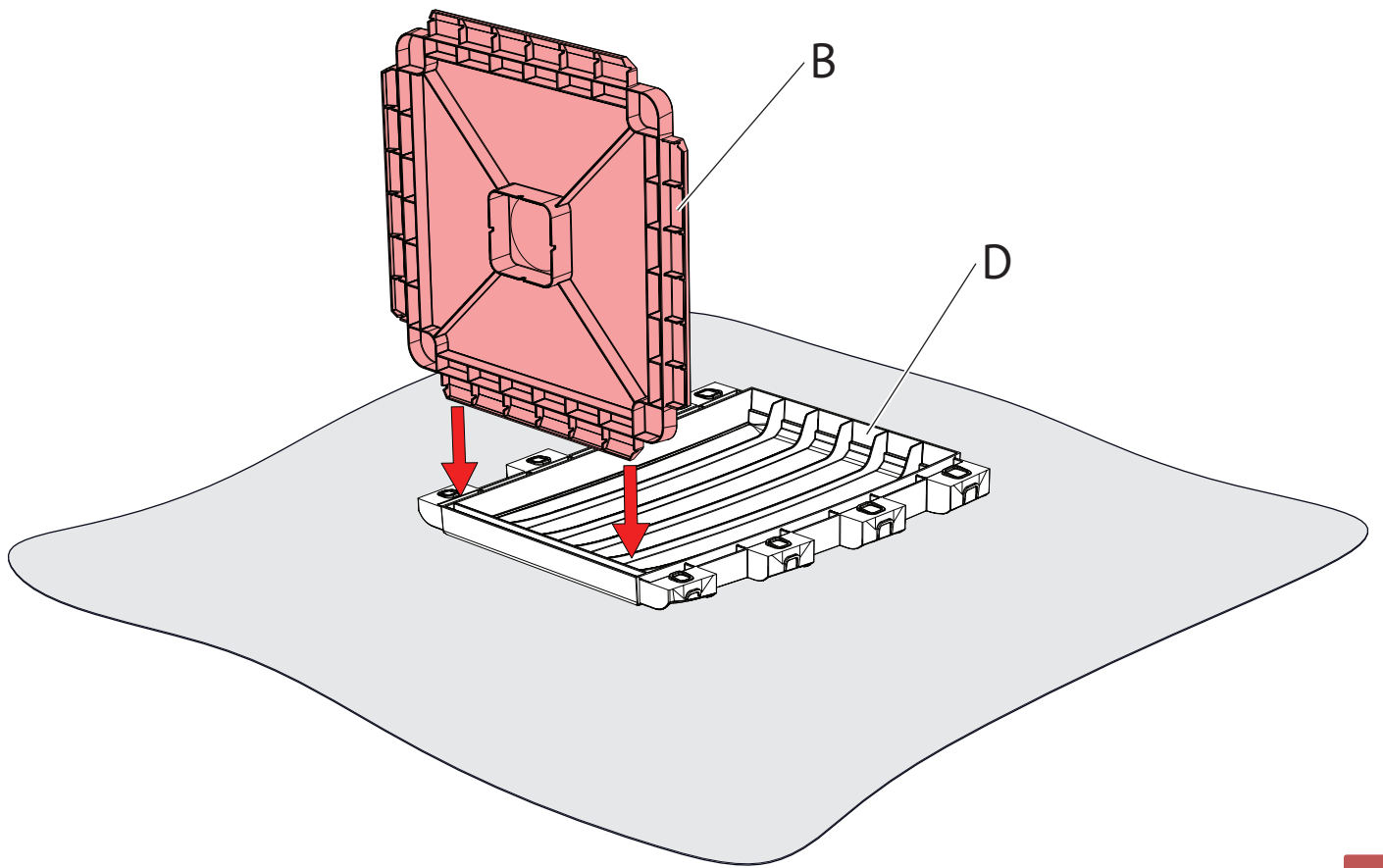
D (2x)



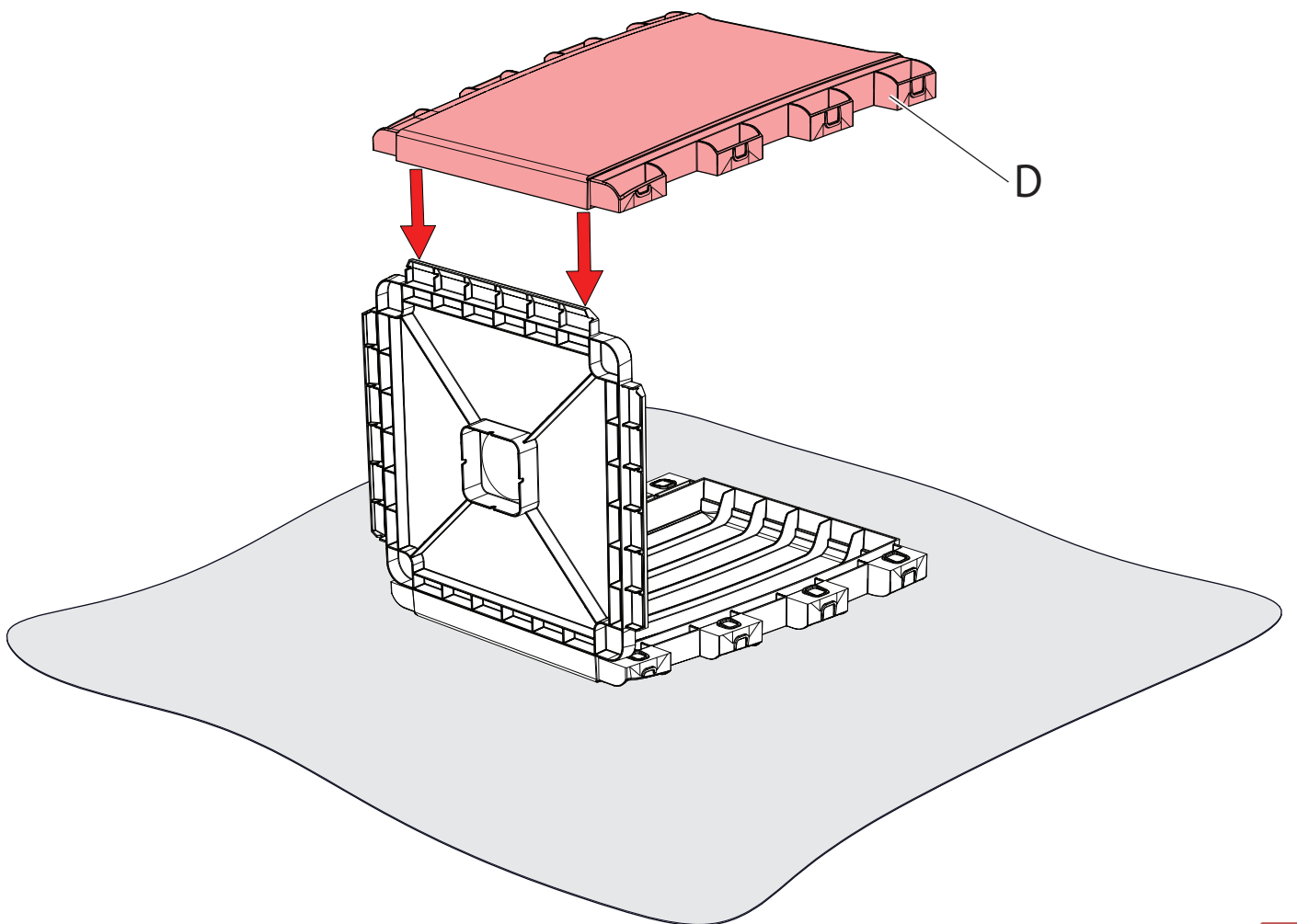
1



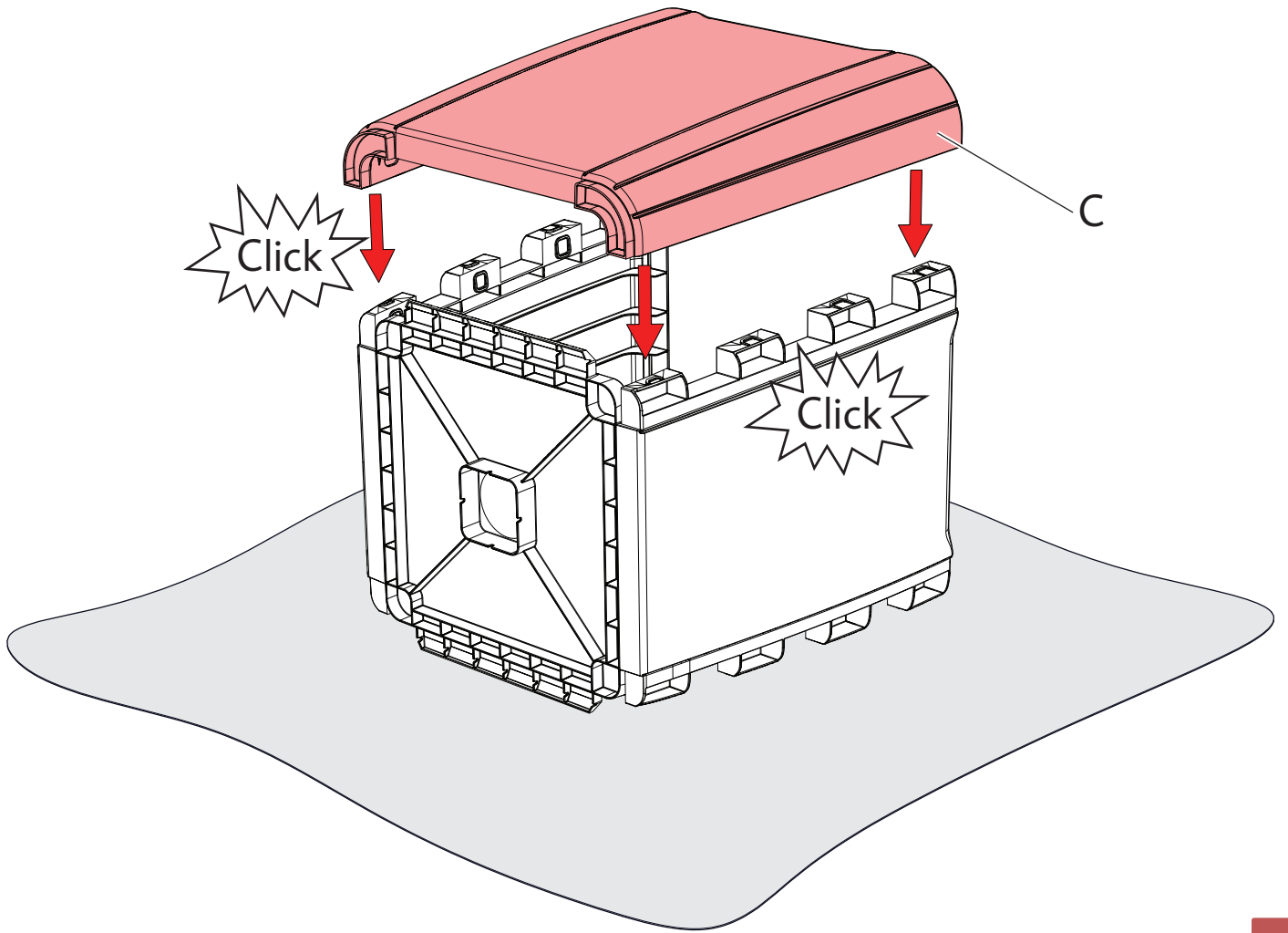
2



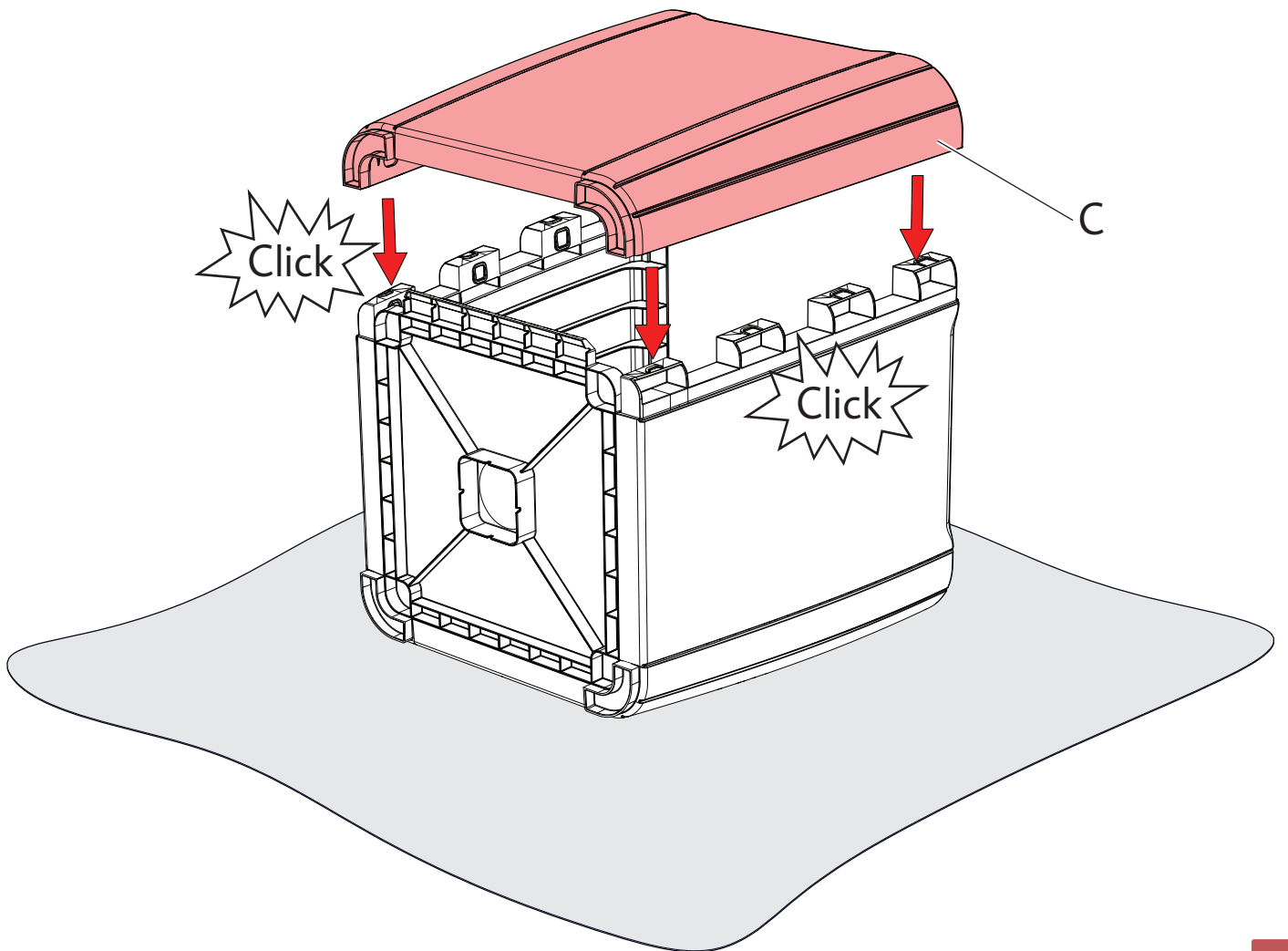
3



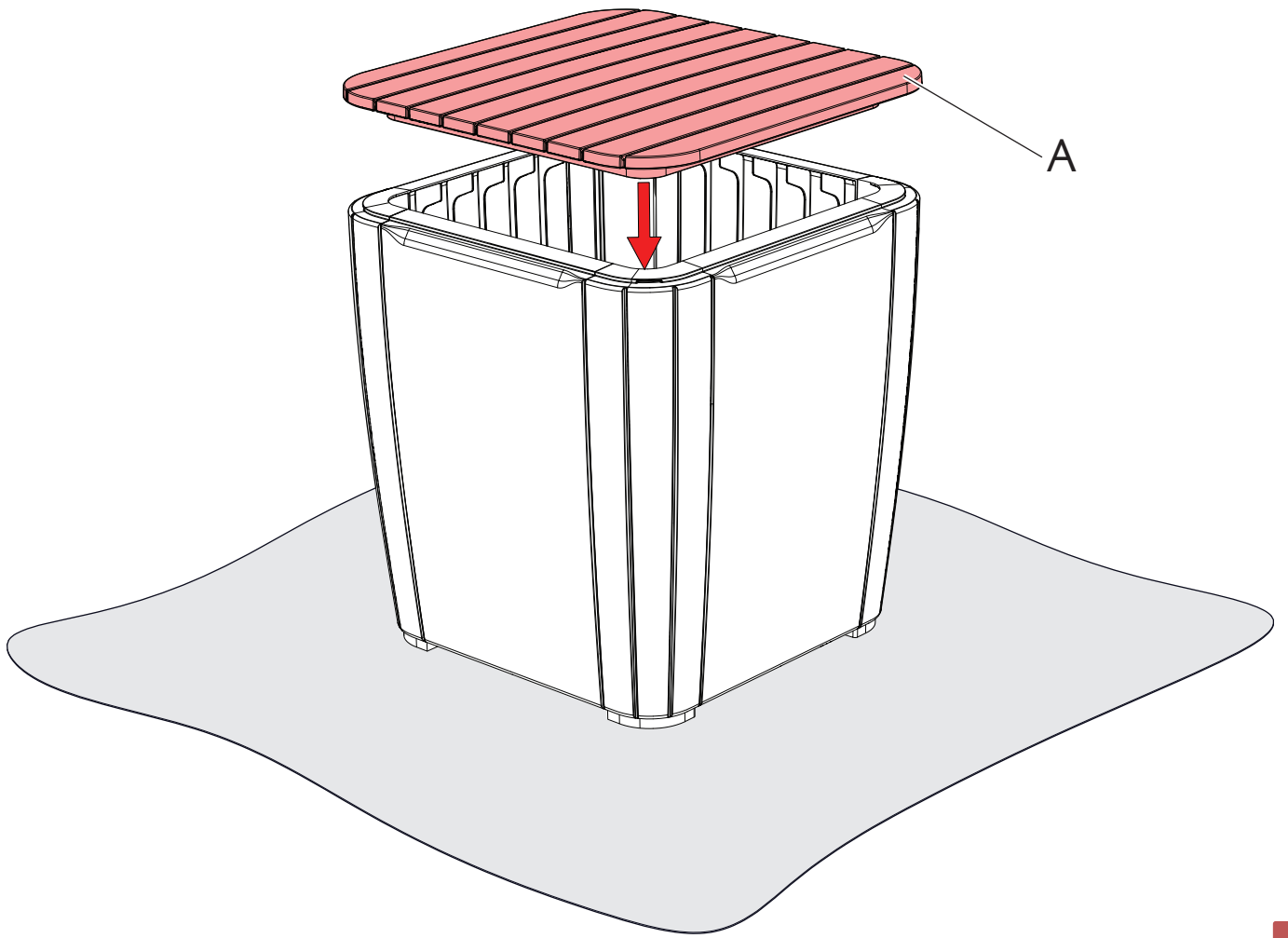
4



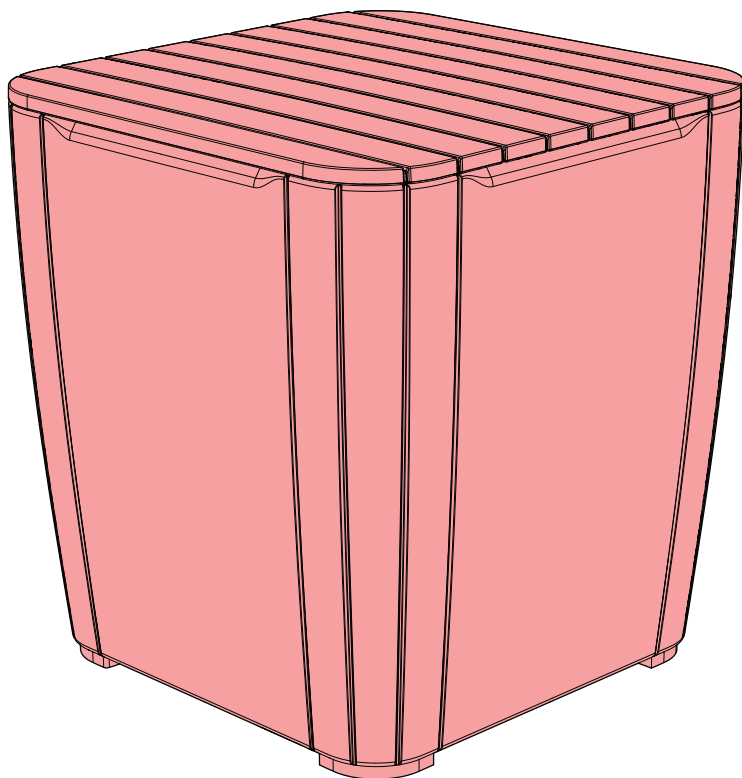
5



6



7



8