

Components

Ⓐ 1 x Top Panel



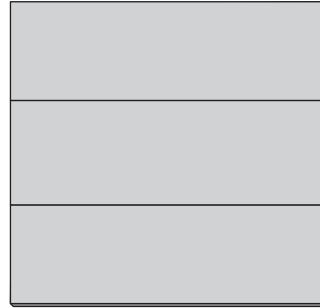
Ⓑ 2 x Shelf



Ⓒ 1 x Bottom Panel



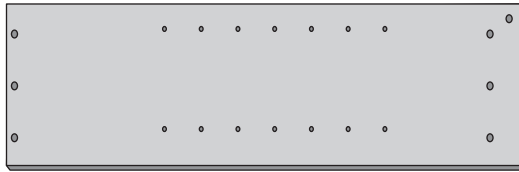
Ⓓ 1 x Back Panel



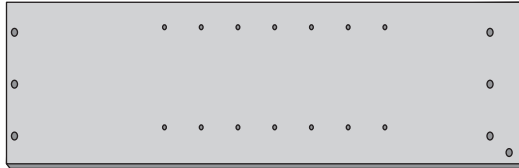
Ⓔ 1 x Front Panel



Ⓕ 1 x Right Side Panel



Ⓖ 1 x Left Side Panel



Ⓗ 8 x Plastic Plug



Ⓙ 8 x Shelf Support



Ⓚ 8 x Support Cover



Small Extra Deep Bookcase

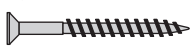
Simple Assembly Instructions - Please keep for future reference



IMPORTANT

Fittings

Ⓐ 8 x Screw



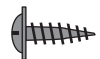
Ⓑ 20 x Nail



Ⓒ 9 x Dowel



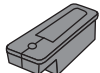
Ⓓ 1 x Screw



Ⓔ 1 x Screw



Ⓕ 1 x Nail Guide



Ⓖ 1 x Wall Plug



Ⓗ 1 x Wall Strap



Ⓙ 1 x Glue




3-06

1. Read these instructions carefully and familiarise yourself with the procedure before assembling the unit.
2. Check that you have all the component parts following the list on the back cover and familiarise yourself with each part before proceeding.
3. Take all the fittings out of the plastic bag and separate them into their groups.
4. Ensure you have enough space to lay out all the parts before assembly.
5. To avoid scratching it is recommended that you assemble the unit on a soft level surface.

Assembly Instructions

Stage 1 – Fitting the Bottom Panel

 **CAUTION:** Always check the assembly method is correct before applying Glue.

NOTE: It would be useful to ask someone to help you at this stage.

1. Place a small amount of Glue **J** into the dowel holes. Use Dowels **C** to fix the Bottom Panel **C** onto the Front Panel **E**.
See fig. 1.
2. Place a small amount of Glue **J** into the dowel holes. Use Dowels **C** and Screws **A** to fix the Left Side Panel **G** and Right Side Panel **F** onto the unit.
See fig. 2.

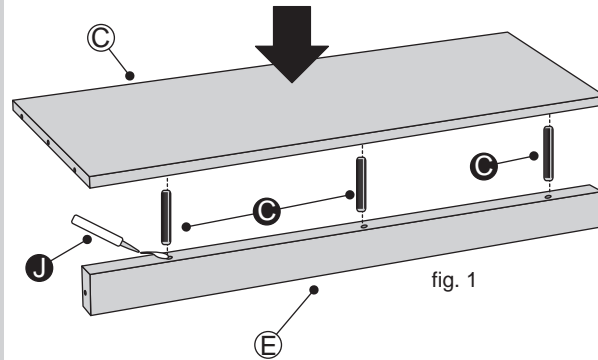


fig. 1

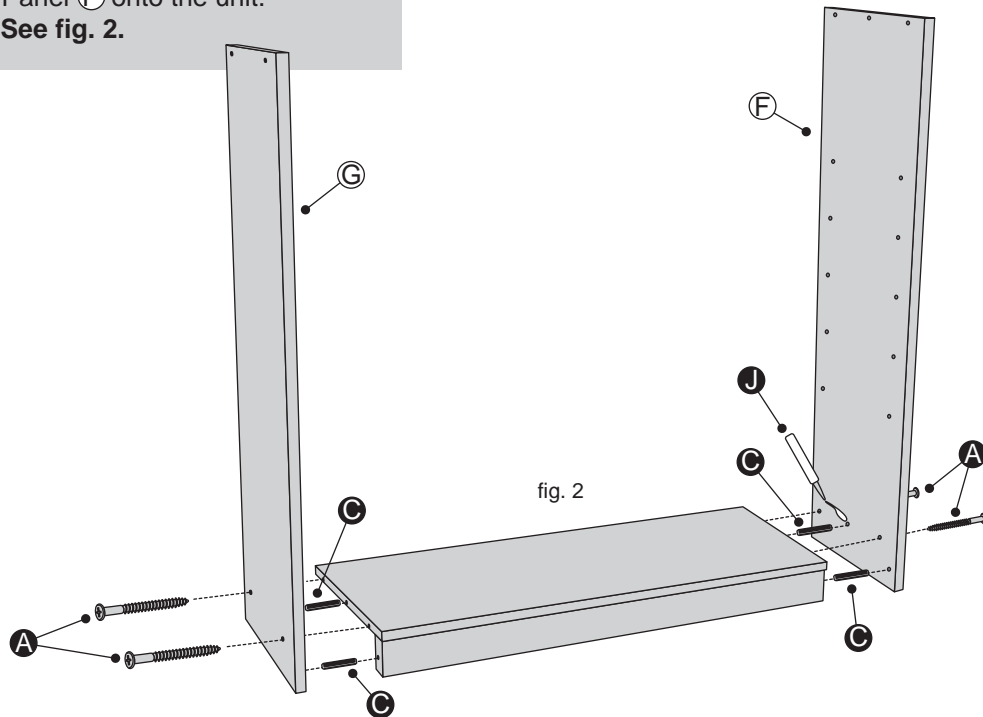



fig. 2

Assembly Instructions

Stage 2 – Fitting the Back Panel

 **CAUTION:** Always check the assembly method is correct before applying Glue.

NOTE: It would be useful to ask someone to help you at this stage.

1. Place a small amount of Glue **J** into the dowel holes. Use Screws **A** to fix the Top Panel **A** onto the unit.
See fig. 3.

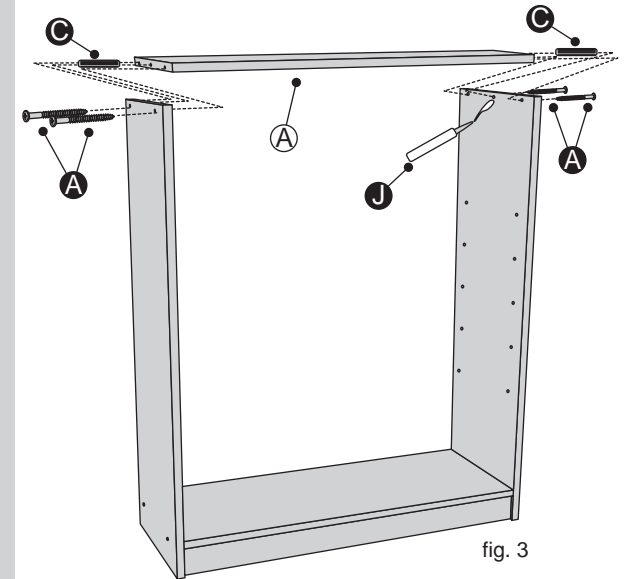


fig. 3

2. Use Nails **B** to fix the Back Panel **D** onto the unit.
See fig. 4.

NOTE: Use Nail Guide **F** to keep a constant distance from the edge to the Nail **B**.

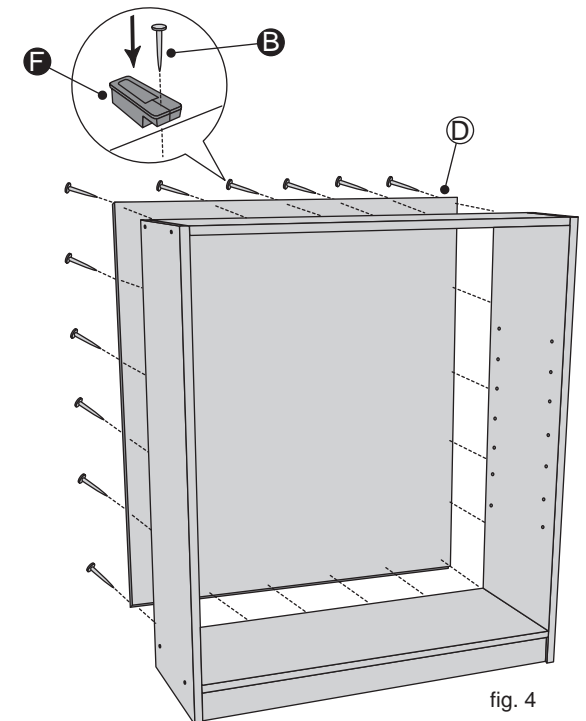


fig. 4

Assembly Instructions

Stage 3 – Fitting the Shelves

NOTE: It would be useful to ask someone to help you at this stage.

1. Slide Support Covers (K) onto Shelf Supports (J).
See fig. 5.

2. Insert Shelf Supports (J) into the unit. Ensure they are well fitted before inserting the Shelves.
See fig. 6.

NOTE: Set the shelf supports to the desired height.

3. Slide Shelves (B) into the unit.
See fig. 7.

4. Use Plastic Plugs (H) to cover the Screw Heads.
See fig. 7.

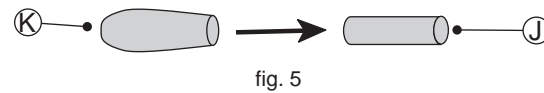


fig. 5

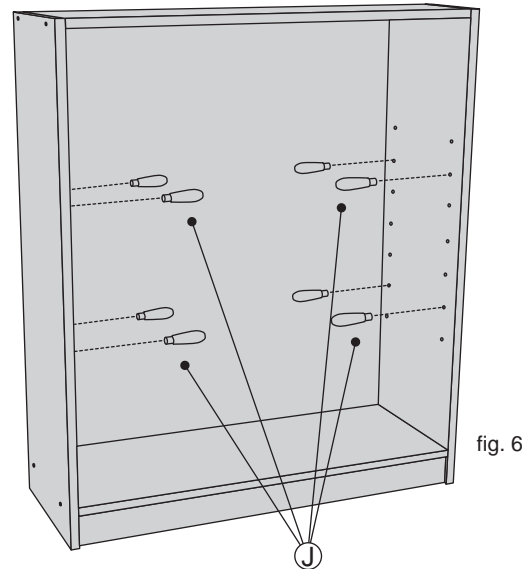


fig. 6

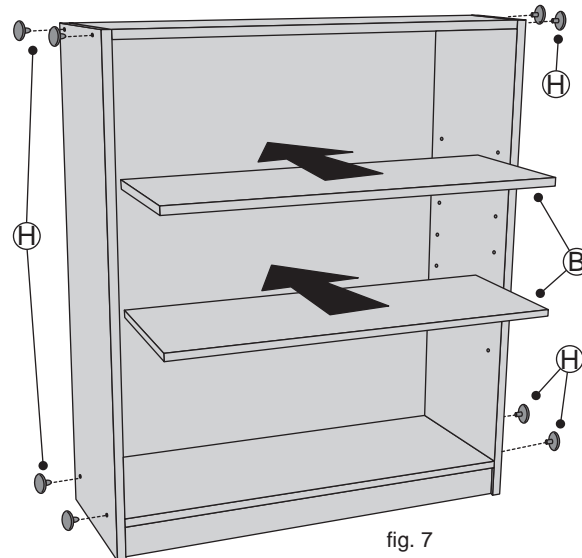


fig. 7

Assembly Instructions

Stage 4 – Finishing the Unit

IMPORTANT: When drilling into walls always check that there are no hidden wires or pipes etc. Make sure that the screws and wall plugs supplied are suitable for supporting the unit. Consult a qualified tradesperson if you are not sure.

NOTE: It would be useful to ask someone to help you at this stage.

- Carefully place the unit in the desired location.
See fig. 10.
- Use Screw (D) to fix the Wall Strap (H) onto the back of the unit.
See fig. 9.
- Drill a hole at the desired height and insert Wall Plug (G) into the hole. Pass Screw (E) through loose end of Wall Strap (H) to fix the unit to the wall.
See fig. 8.

NOTE: Before use always make sure the unit is secure. Please wait 8 hours until Glue is completely dry

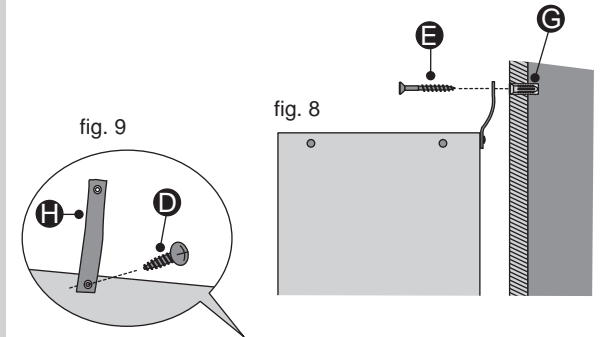


fig. 9

fig. 8

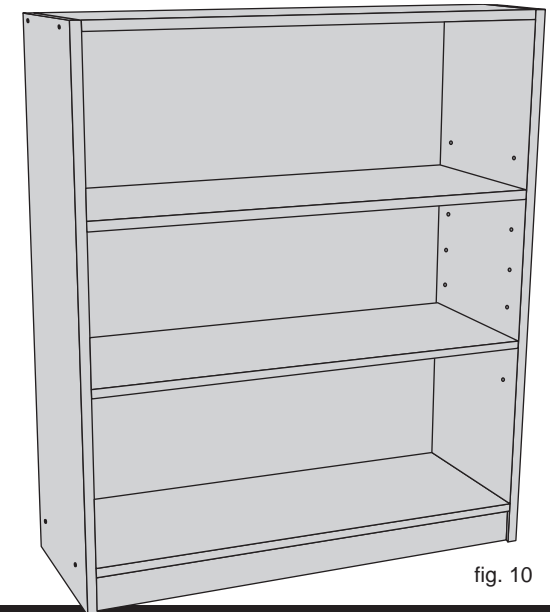


fig. 10

Care and Maintenance

Safety

To avoid any risk of suffocation to animals or children dispose of the plastic bags immediately.

Cleaning

As with all surfaces clean with a damp cloth and mild detergent, do not use bleach or abrasive products.

Fitting

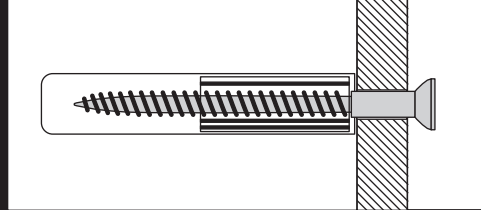
From time to time please ensure there are no loose screws on the product.

A Guide to


Wall Mounting & Fixings

IMPORTANT:

When drilling into walls always check that there are no hidden wires or pipes etc. Make sure that the screws and wall plugs being used are suitable for supporting your unit. Consult a qualified tradesperson if you are unsure.



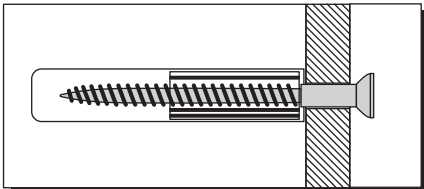
HINTS:

- 1) General Rule  Always use a larger screw and wall plug if you are not sure.
- 2) Ensure you use the recommended drill bit to match the wall plug and hole size.
- 3) Ensure you drill the hole horizontally, do not force the drill or enlarge the hole.
- 4) Take extra care when drilling high walls, ceilings and ceramic tiles. Ensure the plug is fitting below the ceramic tile to avoid splitting or cracking.
- 5) Ensure wall plugs are well fitted and are a tight fit in the drilled hole.

Types Of Walls

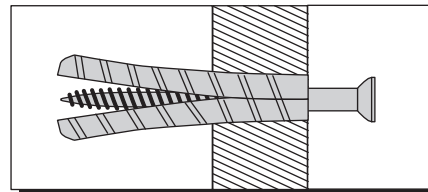
You can use one of the following types of wall plug if your walls are made of brick, breeze block, concrete, stone, wood or plaster board.

No.1 "Standard" Wall Plug General Wall Materials



These come in various sizes and are made from plastic or sometimes wood fiber.

No.2 "General Purpose" Wall Plug Aerated / Breeze Block

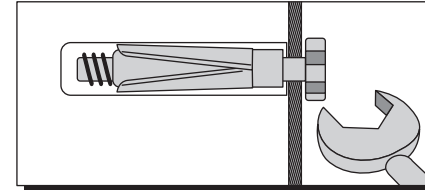


Generally aerated blocks should not be used to support heavy loads, use a specialist fitting in this case. For light loads, a General Purpose Plug can be used.

A Guide to

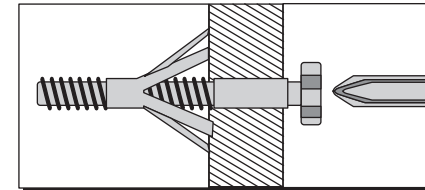
Wall Mounting & Fixings

No.3 "Shield Anchor" Wall Plug Heavy Loads



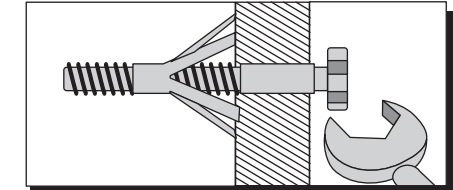
For use with heavier loads such as TV & HiFi Speakers and Satellite Dishes etc.

No.4 "Cavity Fixing" Wall Plug



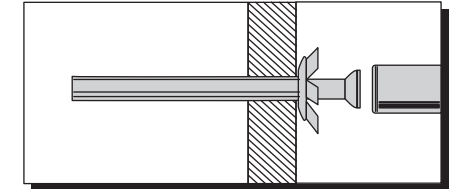
For use with plaster board partitions or hollow wooden doors.

No.5 "Cavity Fixing - Heavy Duty" Wall Plug



For use when fitting or supporting heavy loads such as shelving, wall cabinets, coat racks.

No.6 "Hammer Fixing" Wall Plug



For use with walls stuck with plaster board. The hammer fixing allows it to be fixed to the wall rather than the plaster board. Always check the fixing is secure to the retaining wall.

CARE & MAINTENANCE

SAFETY

Always check the fitting and location to ensure your safety in and around the home.

FITTING

From time to time check the fitting to ensure the wall plugs or screws do not become loose.