

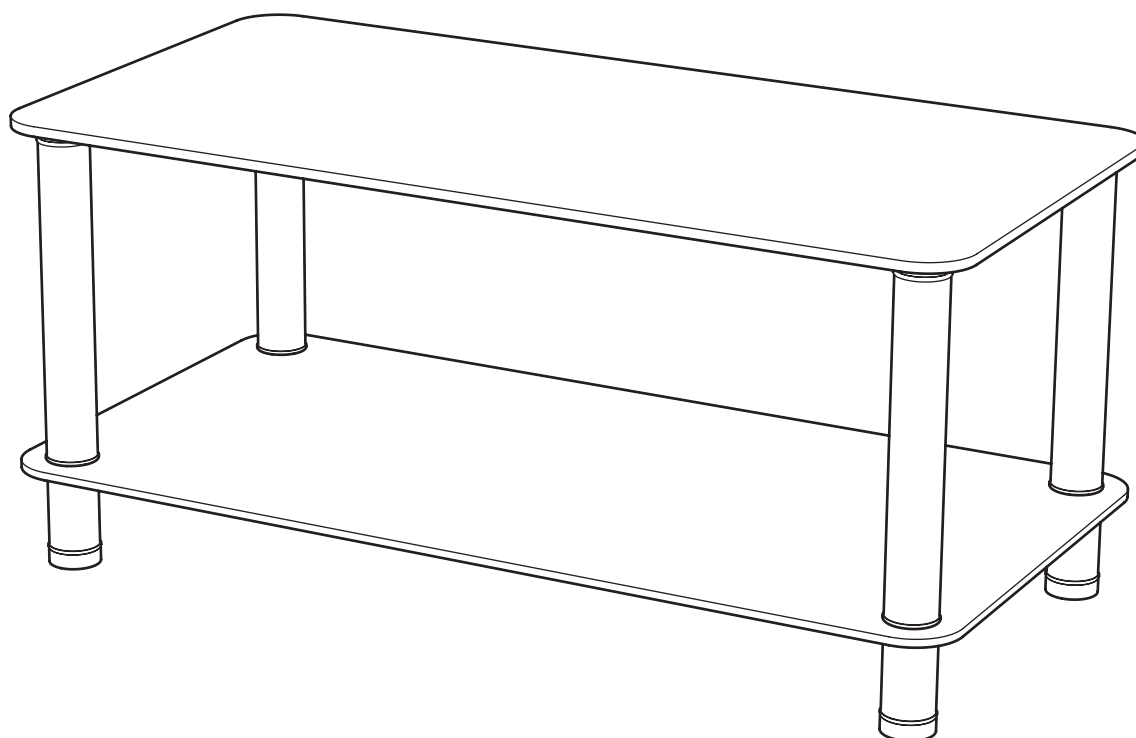
Matrix Glass Coffee Table

Assembly Instructions - Please keep for future reference

610/8267

609/0708

hygena



Dimensions

Width - 100cm

Depth - 50cm

Height - 45cm

Important - Please read these instructions fully before starting assembly

If you need help or have damaged or missing parts, call the **Customer Helpline: 08456 400800**



Safety and Care Advice

Important - Please read these instructions fully before starting assembly

- Check you have all the components and tools listed on page 2.
- Remove all fittings from the plastic bags and separate them into their groups.
- Keep children and animals away from the work area, small parts could choke if swallowed.
- Make sure you have enough space to layout the parts before starting.
- Do not stand or put excessive weight on the product, this could cause damage.
- Assemble the item as close to its final position (in the same room) as possible.
- Parts of the assembly will be easier with 2 people.
- Dispose of all packaging carefully and responsibly.
- Place the product on flat and steady surface during use.
- Assemble on a soft level surface to avoid damaging the unit or your floor.
- Keep these instructions for further use.
- To ensure an easier assembly, we strongly advise that all fittings are only finger tightened during initial assembly. Only upon completion of the assembly should all fixing points be fully tightened.

Glass safety

- Keep these instruction for future reference.
- Imported by:
Argos Ltd.
489-499 Avebury Boulevard.
Saxon Gate West.
Central Milton Keynes.
MK9 2NW
- If the glass is chipped or broken, stop using the product and consult the Manufacturer or Supplier.
- Batch No:
- Date of Manufacture:
- Type of glass used: 5mm and 8mm toughened glass

Warnings

- (a) Do not place very hot or very cold items on the glass surface(s) unless adequately thick table mats are used to prevent such items from coming into contact with the glass.
- (b) Do not sit or stand upon the glass surface(s).
- (c) Do not use the glass as a chopping surface. Do not strike the glass with hard or pointed items.
- (d) When cleaning glass panels use a damp cloth or leather with washing up liquid or soft soap if necessary, do not use washing powders or any other substance containing abrasives since these substances scratch glass.

Care and maintenance

- Only clean using a damp cloth and mild detergent, do no use bleach or abrasive cleaners.
- From time to time check that there are no loose screws on this unit.
- This product should not be discarded with household waste. Take to your local authority waste disposal centre.

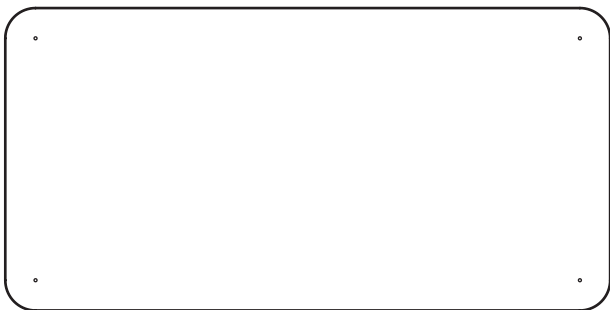
Components - Parts

If you have damaged or missing components, call the **Customer Helpline:08456 400800**

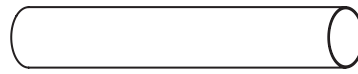
Please check you have all the parts listed below



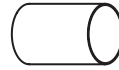
1 Top (100 x 50cm) x 1



2 Shelf (100 x 50cm)x 1



3 Metal tube L (5 x 34.5cm) x 4



4 Metal tube M (5 x 8.5cm) x 4



5 Metal rod (0.7 x 43.3cm) x 4



6 Feet x 4
(5x1.4cm)



7 Plastic pad x 8
(5x1.4cm)

Tools required



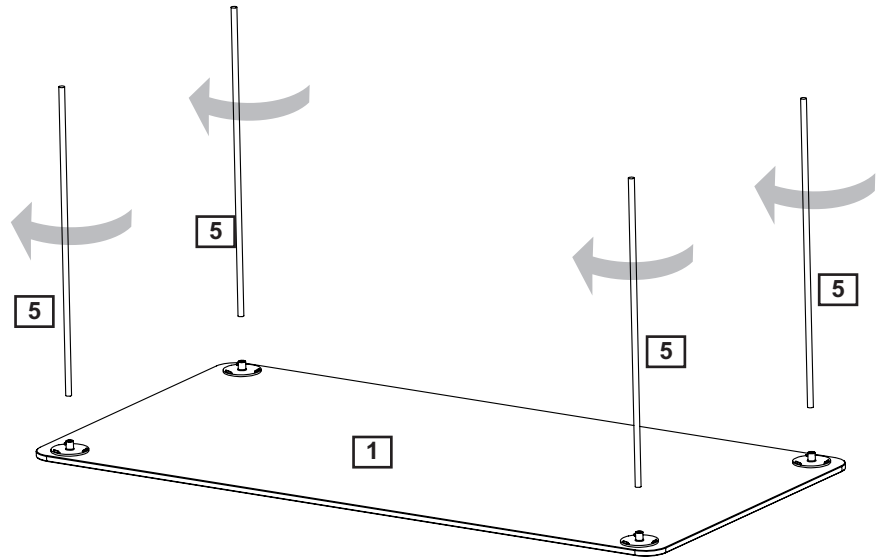
Tape measure

Assembly Instructions

Step 1

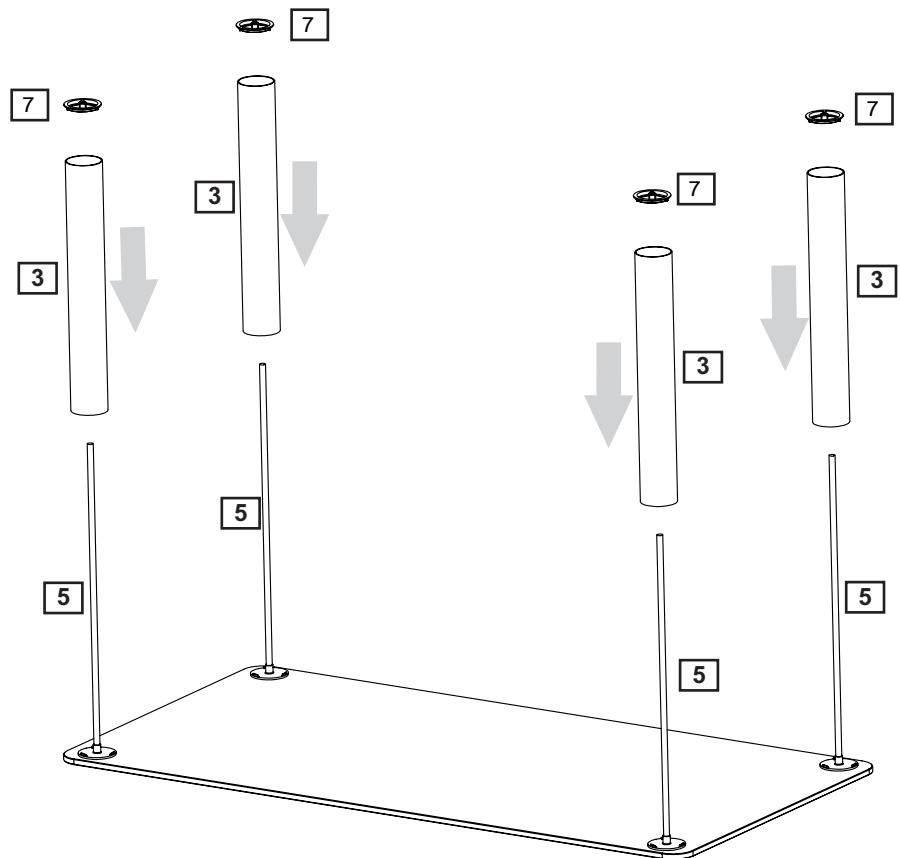
Fitting the rods

Tighten 4pcs of metal rods **5** onto Top **1**.



Step 2

Attach Metal tubes **3** and 4 pcs of plastic pad **7** through 4 pcs of metal rods **5** as shown.



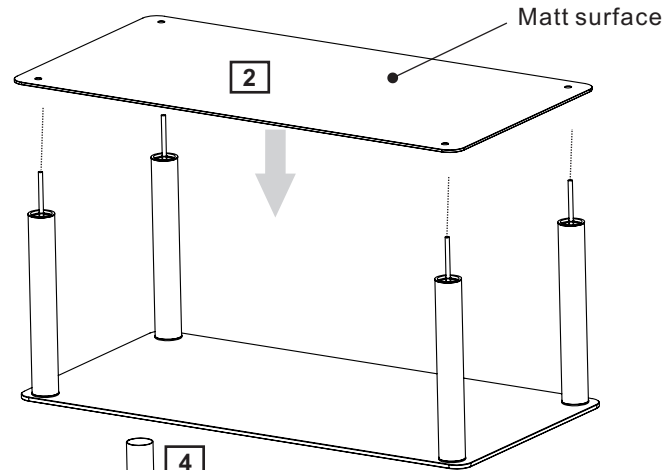
Assembly Instructions

Step 3

Fitting shelf

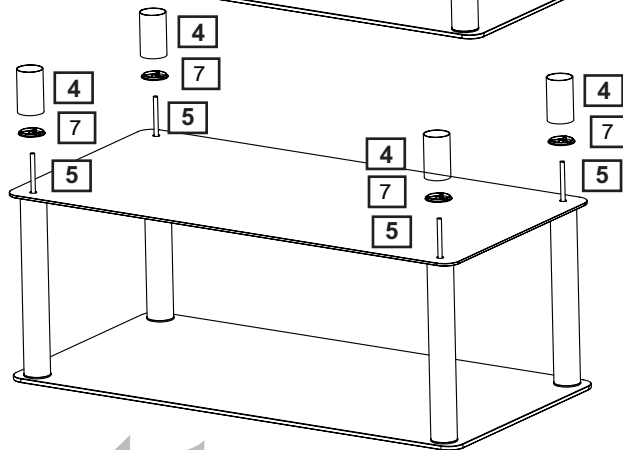
Note: It would be useful to ask someone to help you at this stage.

With help, carefully place Shelf **2** onto the unit.



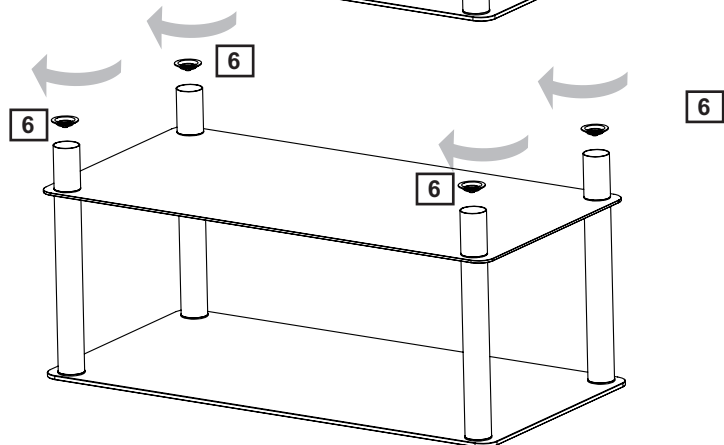
Step 4

Attach Metal tubes **4** and 4 pcs of plastic pad **7** through 4 pcs of metal rods **5** as shown.



Step 5

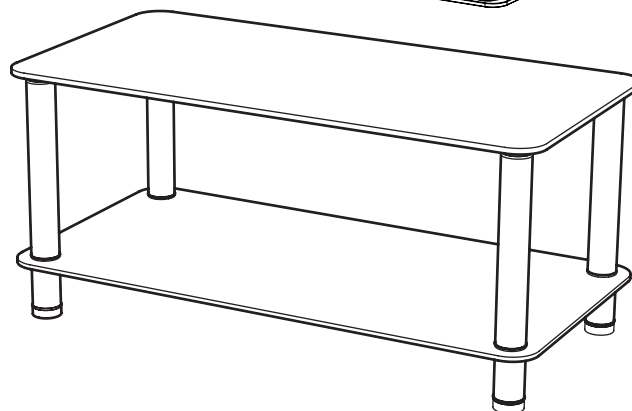
Tighten 4 pcs of feet **6** onto metal rods **5** as shown.



Step 6

With help, carefully turn the unit upright and place to desired location.

Assembly is complete.



If you need help or have damaged or missing parts, call the Customer Helpline: 08456 400800
Argos Ltd. 489-499 Avebury Boulevard. Saxon Gate West. Central Milton Keynes. MK9 2NW