

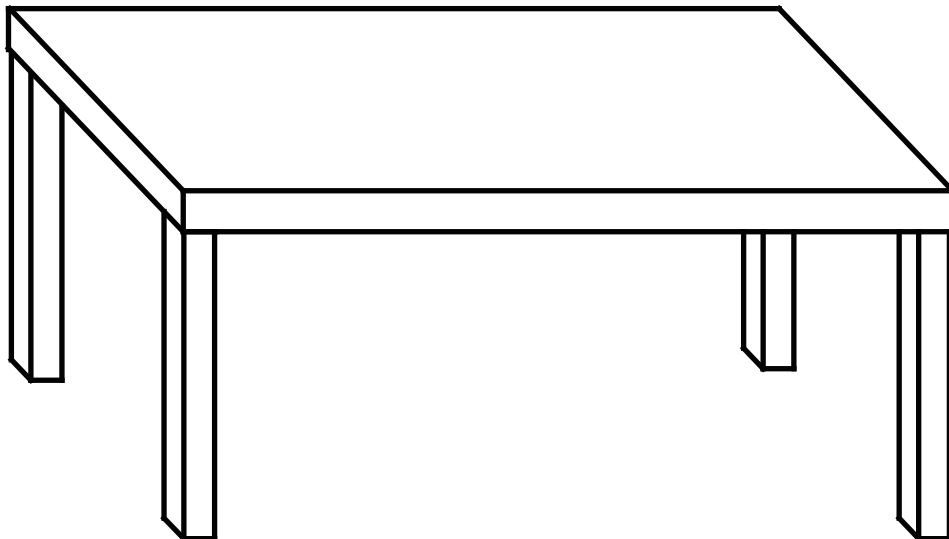
SASHA Coffee Table

Assembly Instructions- please keep for future reference

609/4883

609/5734

609/6290



Dimensions

Width - 90cm
Depth - 45cm
Height - 45cm

Important – Please read these instructions fully before starting assembly

If you need help or have damaged or missing parts, call the **Customer Helpline: 0845 640 0800**



Safety and Care Advice

Important – Please read these instructions fully before starting assembly

- Check you have all the components and tools listed below and opposite.
- Remove all fittings from the plastic bags and separate them into their groups.
- Keep children and animals away from the work area, small parts could choke if swallowed.
- Make sure you have enough space to layout the parts before starting.

- Do not stand or put weight on the product, this could cause damage.
- Assemble the item as close to its final position (in the same room) as possible.
- Assemble on a soft level surface to avoid damaging the unit or your floor.
- Parts of the assembly may be easier with 2 people.



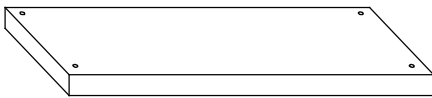
- We do not recommend the use of power drill/drivers **for inserting screws**, as this could damage the unit. Only use hand screwdrivers.
- Dispose of all packaging carefully and responsibly.

Care and maintenance

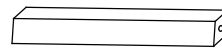
- Only clean using a damp cloth and mild detergent, do not use bleach or abrasive cleaners.
- From time to time check that there are no loose screws on this unit.
- This product should not be discarded with household waste. Take to your local authority waste disposal centre.

Components - Panels

Please check you have all the panels listed below



A Top panel x 1
90 x 45 x 5 cm



B Foot x 4
5 x 5 x 40 cm

Components - Fittings

If you have damaged or missing components, call the **Customer Helpline: 0845 640 0800**

Please check you have all the fittings listed below

Note: The quantities below are the correct amount to complete the assembly. In some cases more fittings may be supplied than are required.

a



Metal screw x 4
ø 7 x 70 mm

b



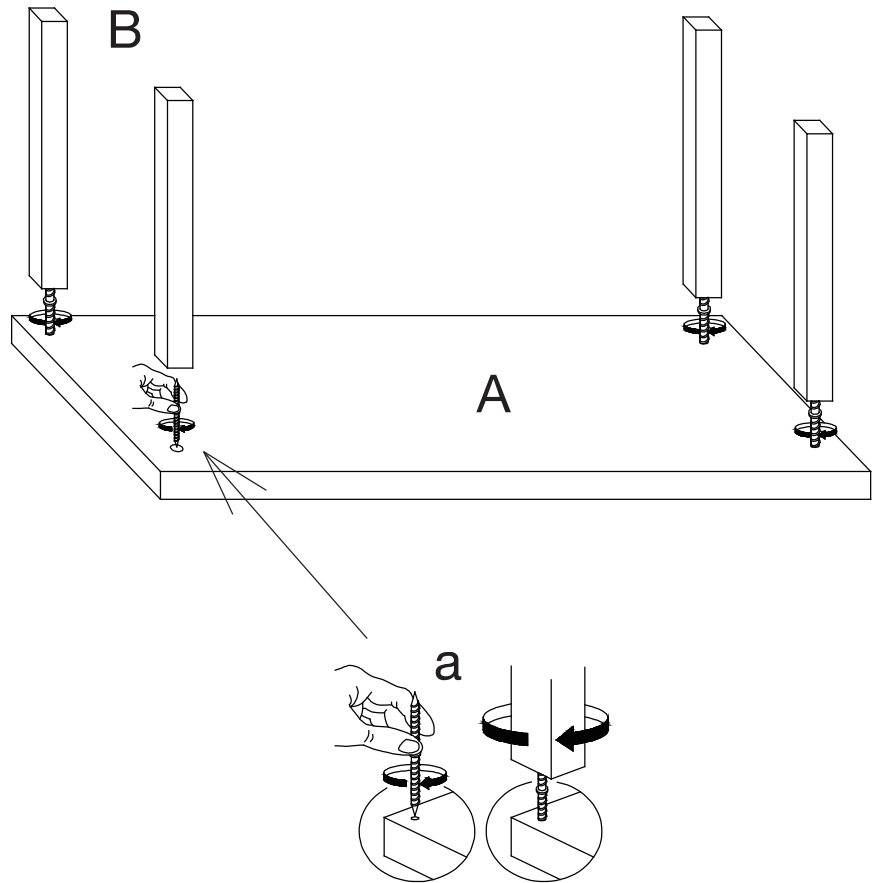
Foot mat x 4

Assembly Instructions

Step 1

Screw 4 x metal screw **a** into top panel A a little and then screw 4 x foot B through the screw onto top panel A as shown.

Note: the leg should be in right position after assembly and assembled tight enough, otherwise the top will be unstable.



Attach the 4 x Foot mat **b** onto the feet as shown. assembly is complete.

