

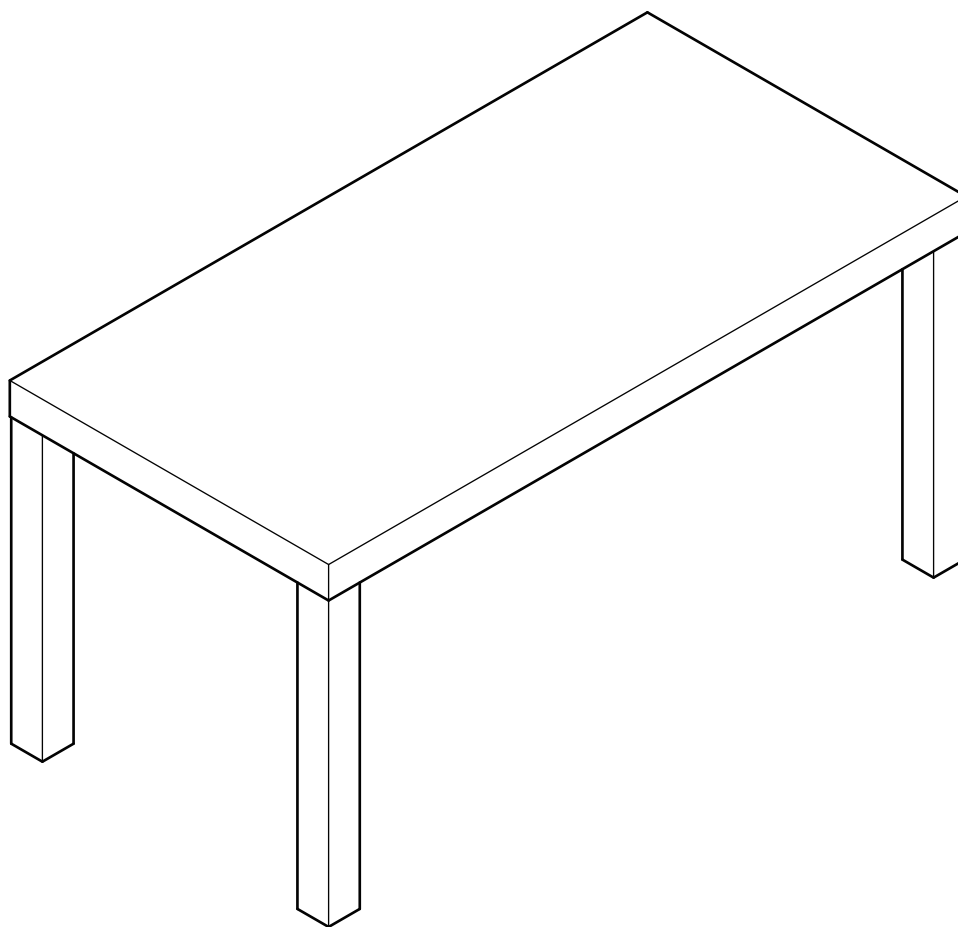
# Sasha Coffee Table

**Assembly Instructions** - Please keep for future reference

609/4883

609/5734

609/6290



## Dimensions

Width - 90cm

Depth - 45cm

Height - 44.5cm

**Important** - Please read these instructions fully before starting assembly

If you need help or have damaged or missing parts, call the **Customer Helpline: 08456 400800**



# Safety and Care Advice

**Important - Please read these instructions fully before starting assembly**

- Check you have all the components on page 2.
- Remove all fittings from the plastic bags and separate them into their groups.
- Keep children and animals away from the work area, small parts could choke if swallowed.
- Make sure you have enough space to layout the parts before starting.
- Do not use this item if any components are missing or damaged.

- Do not stand on the product, this could cause damage.
- Assemble the item as close to its final position (in the same room) as possible.
- Assemble on a soft level surface to avoid damaging the unit or your floor.
- Parts of the assembly will be easier with 2 people.



- We do not recommend the use of power drill/drivers **for inserting screws,**

as this could damage the unit. Only use hand screwdrivers.

- Dispose of all packaging carefully and responsibly.

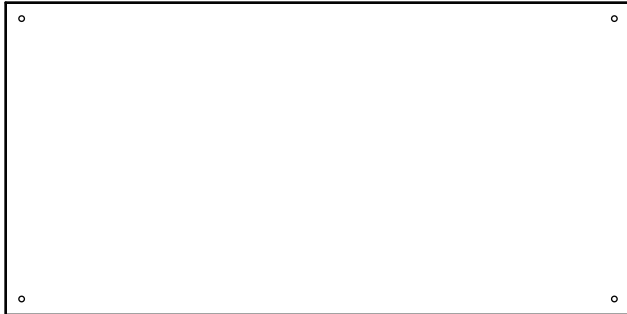
## Care and maintenance

- Only clean using a damp cloth and mild detergent, do not use bleach or abrasive cleaners.
- From time to time check that there are no loose screws on this unit.
- This product should not be discarded with household waste. Take to your local authority waste disposal centre.

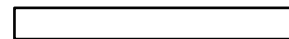
# Components - Panels

If you have damaged or missing components, call the **Customer Helpline: 08456 400800**

Please check you have all the panels listed below



**1** Table top (90 x 45cm)



**2** Leg x 4 (40 x 4.5cm)

# Components - Fittings

Please check you have all the fittings listed below

**Note:** The quantities below are the correct amount to complete the assembly. in some cases more fittings may be supplied than are required.

<b>A</b> 		
--	--	--

72mm Screw x 4

Ruler - Use this ruler to help correctly identify the screws



# Assembly Instructions

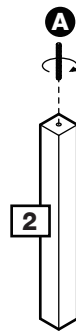
## Step 1

### Attaching legs

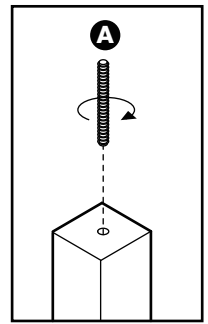
**a:** Fasten Screw **A** into the Leg **2**.

**Note:** Please ensure screws are tightly secured.

**a:**

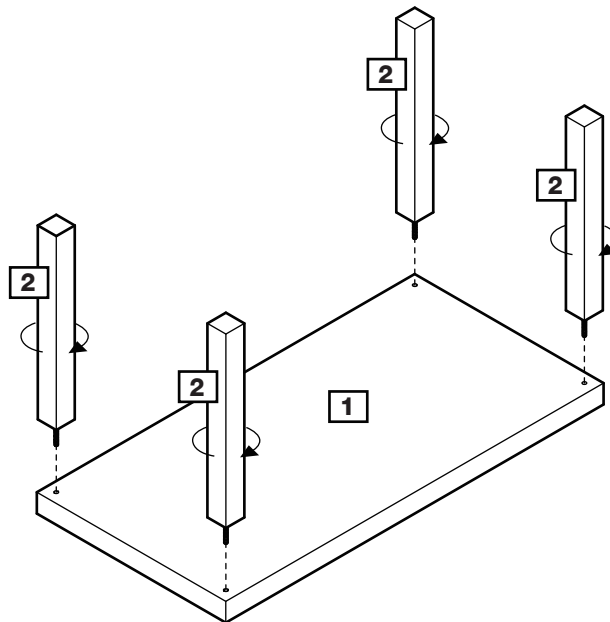


**X 4**



**b:** Fix the Legs **2** onto the Table top **1**.

**b:**

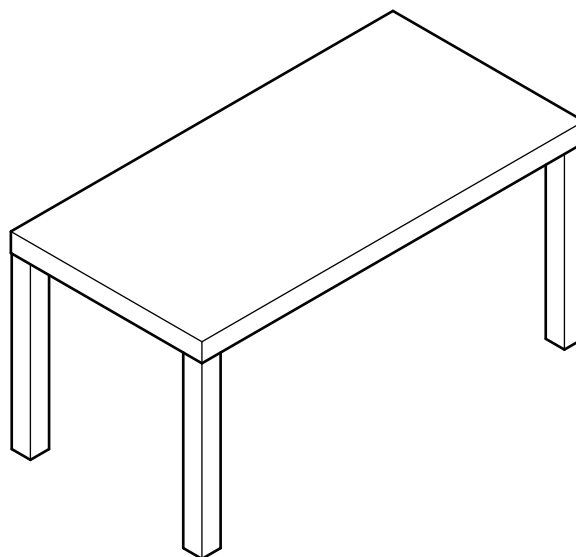


## Step 2

### Finishing the unit

With help, place the unit in the intended position.

**Assembly is complete.**



If you need help or have damaged or missing parts, call the **Customer Helpline: 08456 400800**