

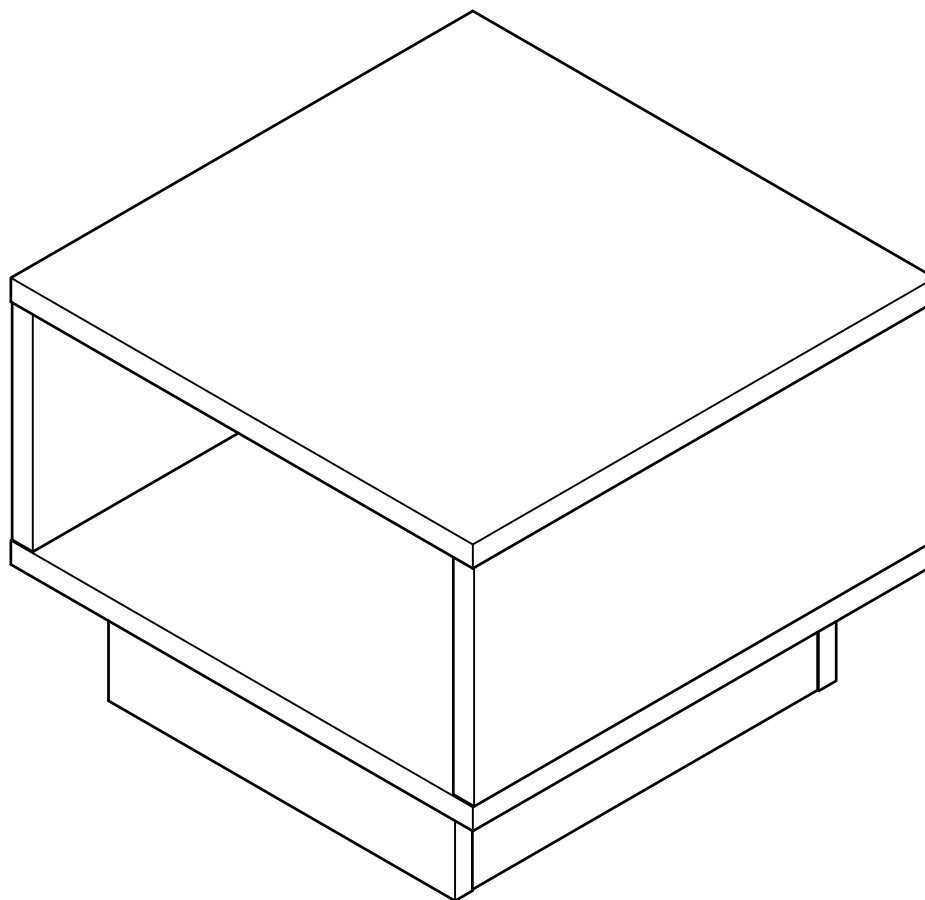
Cube End Table

Assembly Instructions - Please keep for future reference

609/0753

609/1958

609/5679



Dimensions

Width - 40cm

Depth - 40cm

Height - 30cm

Important - Please read these instructions fully before starting assembly

If you need help or have damaged or missing parts, call the **Customer Helpline: 08456 400800**



Safety and Care Advice

Important - Please read these instructions fully before starting assembly

- Check you have all the components and tools listed on page 2 and 3.
- Remove all fittings from the plastic bags and separate them into their groups.
- Keep children and animals away from the work area, small parts could choke if swallowed.
- Make sure you have enough space to layout the parts before starting.

- Do not stand or put weight on the panels during assembly, this could cause damage.
- Assemble the item as close to its final position (in the same room) as possible.
- Assemble on a soft level surface to avoid damaging the unit or your floor.
- Parts of the assembly will be easier with 2 people.



- We do not recommend the use of power drill/driver **for inserting screws**, as this could damage the unit. Only use hand screwdrivers.
- Dispose of all packaging carefully and responsibly.

Glue safety - Take care when using glue, please follow the advice below

Skin contact: Remove contamination by washing with soap and water. This procedure should also be followed prior to eating and drinking.

Eye contact: Rinse immediately with clean water for 15 minutes and seek medical advice.

If swallowed: Seek medical advice immediately. If possible show product information or label to the medical advisor.

Care and maintenance

• Only clean using a damp cloth and mild detergent, do not use bleach or abrasive cleaners.

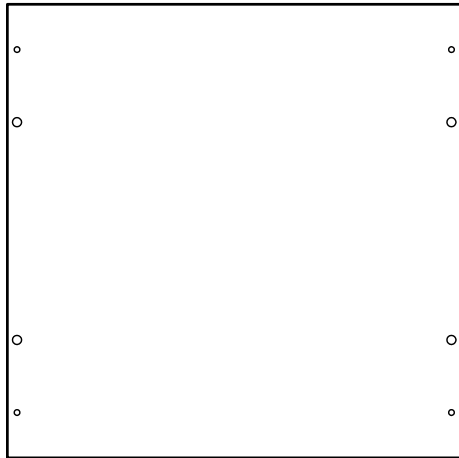
• From time to time check that there are no loose screws on this unit.

• This product should not be discarded with household waste. Take to your local authority waste disposal centre.

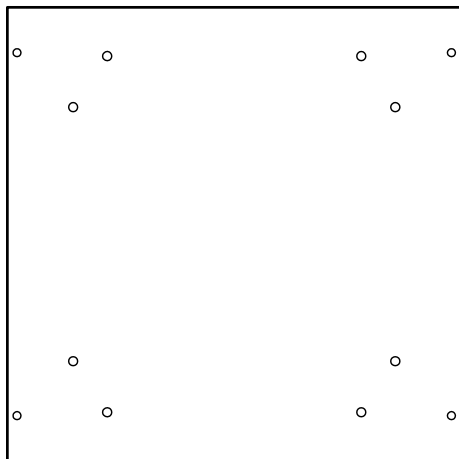
Note: If required the next page can be cut out and used as reference throughout the assembly. Keep this page with these instructions for future reference.

Components - Panels

Please check you have all the panels listed below



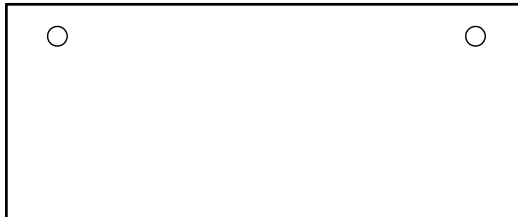
1 Table top (40 x 40cm)



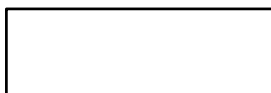
2 Table bottom (40 x 40cm)



3 Base side x 2 (30 x 9.5cm)



4 Table side x 2 (39.8 x 16.4cm)



5 Base end x 2 (30 x 9.5cm)

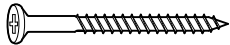
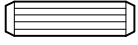
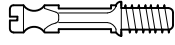




Components - Fittings

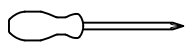
If you have damaged or missing components, call the **Customer Helpline: 08456 400800**

Please check you have all the fittings listed below

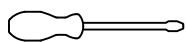
Note: The quantities below are the correct amount to complete the assembly. In some cases more fittings may be supplied than are required.

<p>A </p> <p>57mm Screw x 4</p>	<p>B </p> <p>Dowel x 24</p>	<p>C </p> <p>Locking pin x 4</p>
<p>D </p> <p>Locking nut x 4</p>	<p>E </p> <p>Glue x 1</p>	

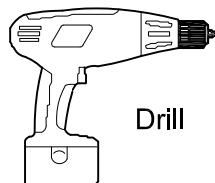
Tools required



Phillips screwdriver
(medium & large)

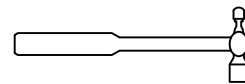


Flatblade screwdriver
(medium)



Drill

7mm Masonry drill bit
(for use with wall plug)



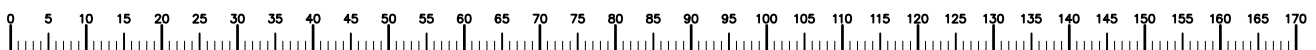
Small
hammer



Ruler/tape
measure

Eye protection
(when using a
hammer or glue)

Ruler - Use this ruler to help correctly identify the screws



Assembly Instructions

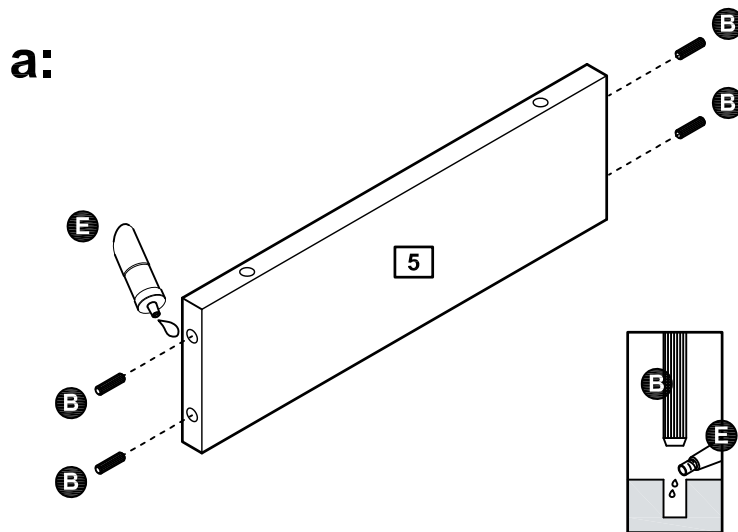
Step 1

Fitting the base

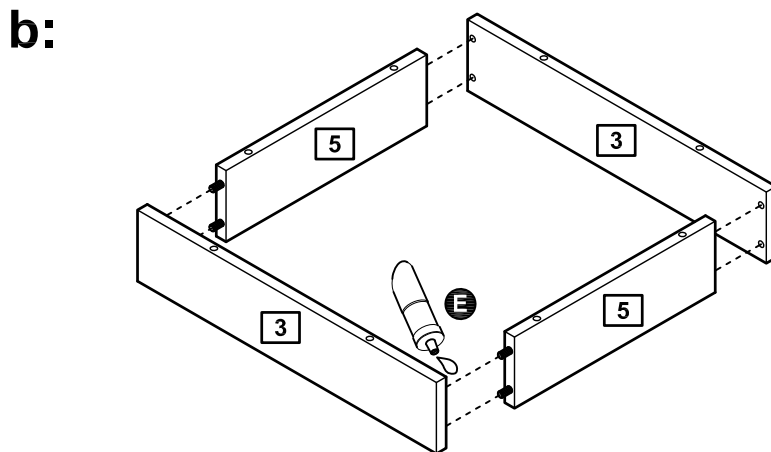


Caution: Always check the assembly method is correct before applying glue.

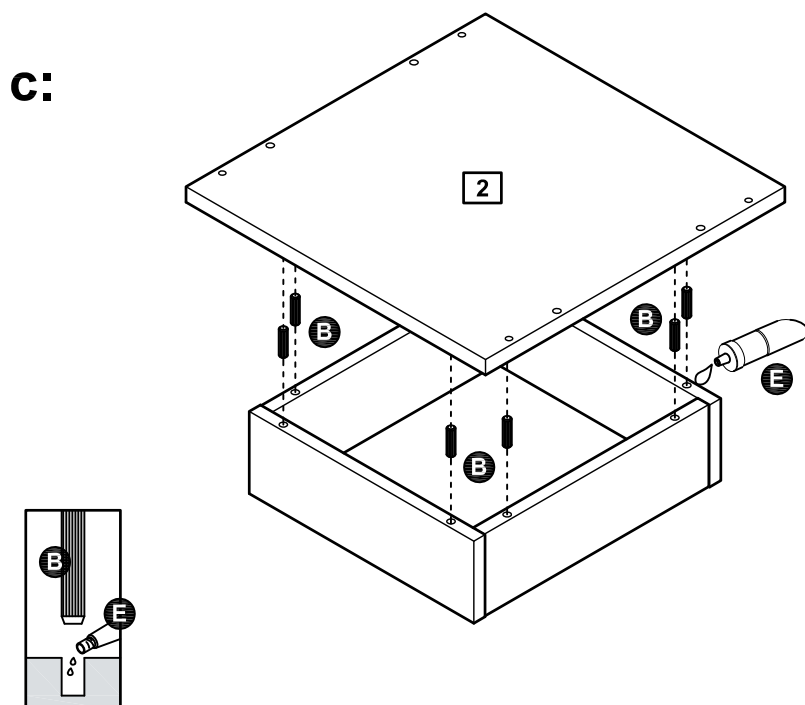
a: Place a small amount of glue **E** into the dowel holes. Insert dowels **B** into the base side panels **5**.



b: Place a small amount of glue **E** into the dowel holes. Fix the base panels **3** onto the base side panels **5**.



c: Place a small amount of glue **E** into the dowel holes. Use dowels **B** to fix the bottom panel **2** onto the unit.



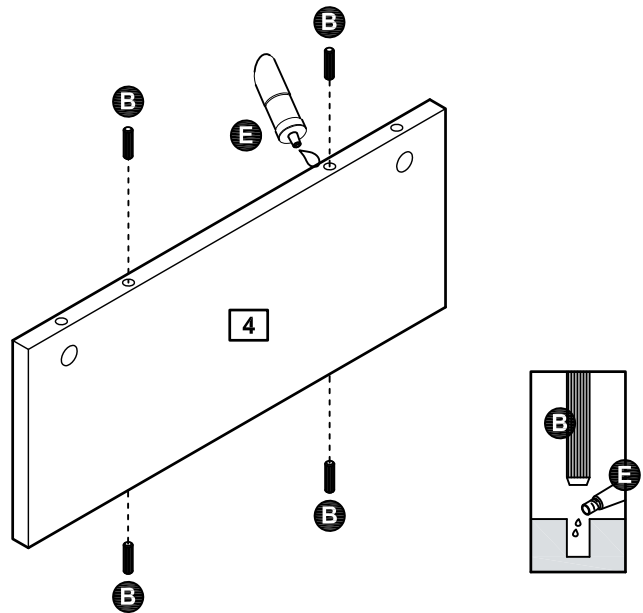
Assembly Instructions

Step 2

Fitting the side panels

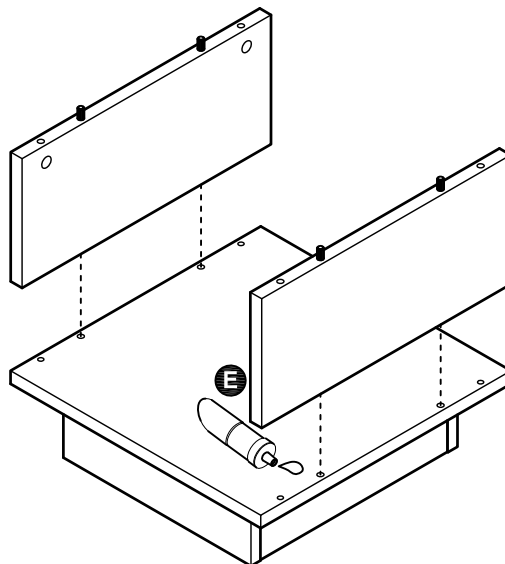
a: Place a small amount of glue **E** into the dowel holes. Insert dowels **B** into the side panels **4**.

a:



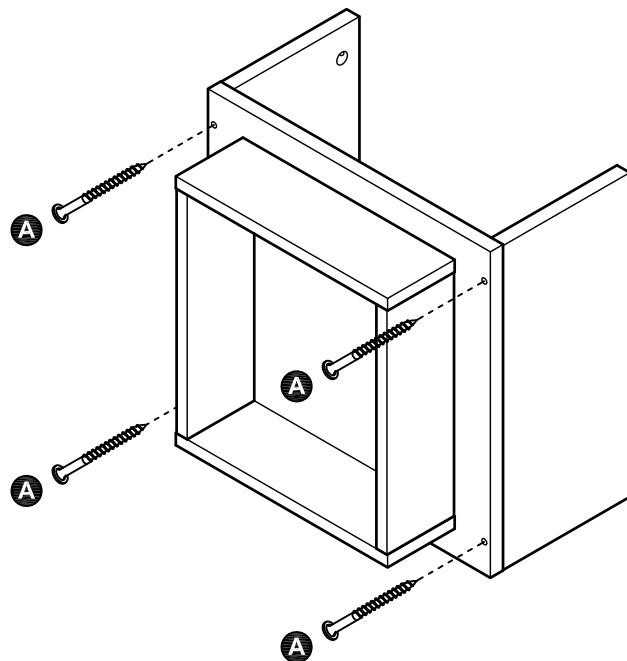
b: Place a small amount of glue **E** into the dowel holes. Fix the side panels **4** onto the unit.

b:



c: Use screws **A** to fix the side panels **4** onto the unit.

c:

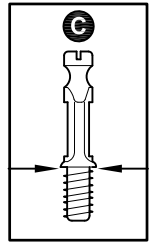
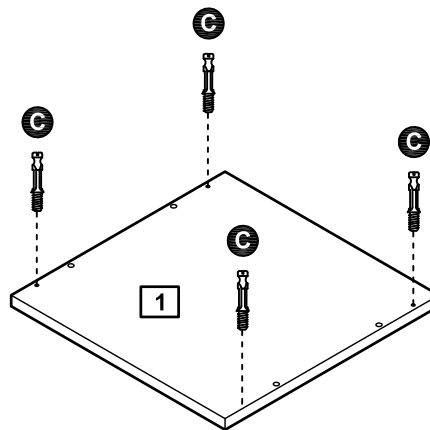


Assembly Instructions

Step 3

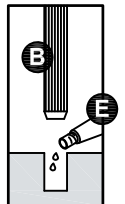
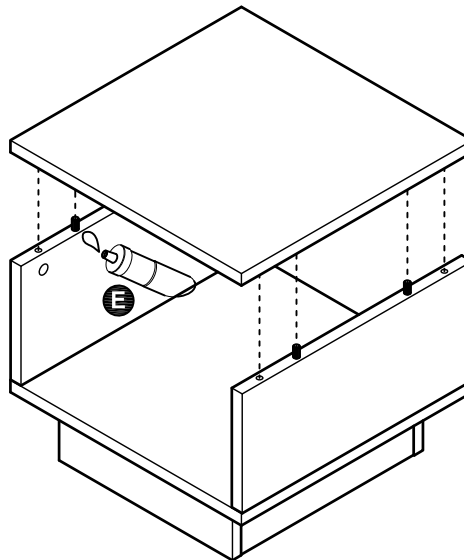
Fitting the table top

a: Screw locking pins **C** into the table top **1**. Insert locking pins as far as shown.



b: Place a small amount of glue **E** into the dowel holes. Carefully locate the table top **1** onto the unit.

b:



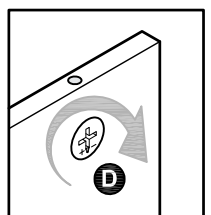
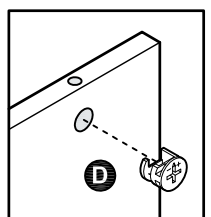
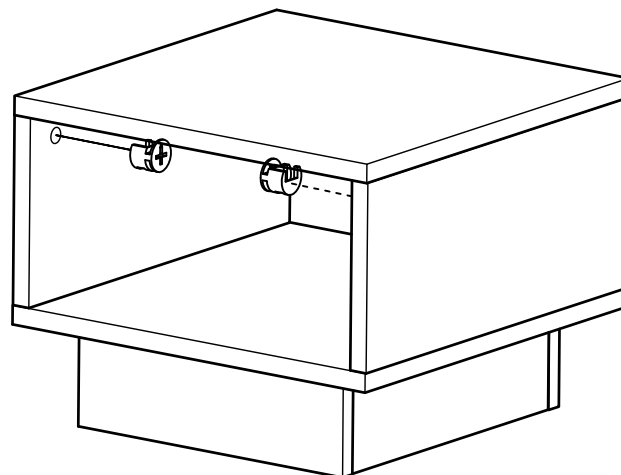
Step 4

Finishing the unit

a: Insert locking nuts **D** into side panels **4**, then use a screwdriver to turn locking nuts clockwise to lock.

NOTE: Before use make sure the unit is secure. Allow glue to dry for 24 hours or be completely dry before use.

a:



If you need help or have damaged or missing parts, call the **Customer Helpline: 08456 400800**