

Half Width Tall Extra Deep Bookcase

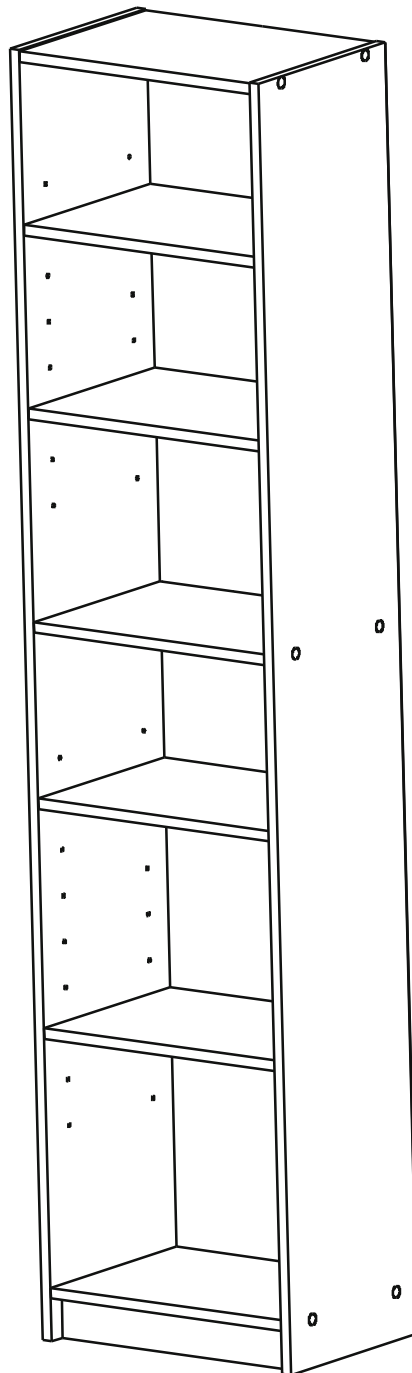
Assembly Instructions - Please keep for future reference

609/2218

609/2249

609/2232

609/2225



Dimensions

Width - 42cm
Depth - 29cm
Height - 180cm

Important - Please read these instructions fully before starting assembly

If you need help or have damaged or missing parts, call the **Customer Helpline: 08456 400 800**

Date : 01/11/10



Safety and Care Advice

Important – Please read these instructions fully before starting assembly

- Check you have all the components and tools listed on pages 2 and 3.
- Remove all fittings from the plastic bags and separate them into their groups.
- Keep children and animals away from the work area, small parts could choke if swallowed.
- Make sure you have enough space to layout the parts before starting.

- Do not stand or put weight on the product, this could cause damage.
- Assemble the item as close to its final position (in the same room) as possible.
- Assemble on a soft level surface to avoid damaging the unit or your floor.
- Parts of the assembly will be easier with 2 people.



- We do not recommend the use of power drill/drivers **for inserting screws**, as this could damage the unit. Only use hand screwdrivers.
- Dispose of all packaging carefully and responsibly.

Care and maintenance

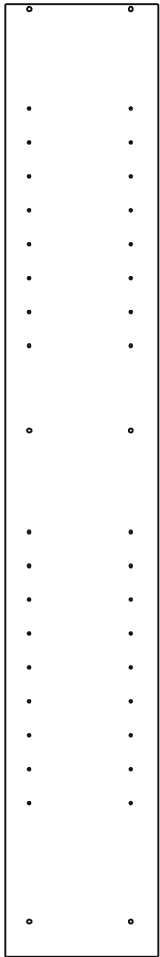
- Only clean using a damp cloth and mild detergent, do not use bleach or abrasive cleaners.
- From time to time check that there are no loose screws on this unit.
- This product should not be discarded with household waste. Take to your local authority waste disposal centre.

Note: if required the next page can be cut out and used as reference throughout the assembly. Keep this page with these instructions for future reference.

Components - Panels

If you have damaged or missing components, call the **Customer Helpline: 08456 400 800**

Please check you have all the panels listed below



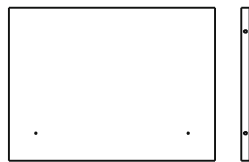
2 Left side (1800x290mm)



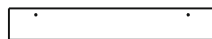
3 Fixed Horizontal x 2 (389x289mm)



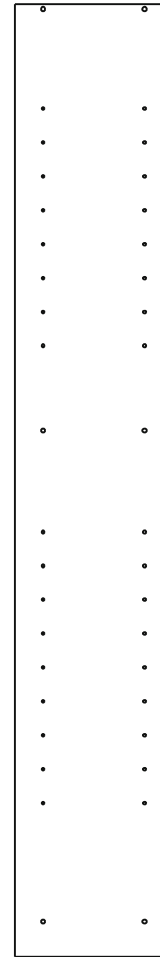
6 Shelf x 4 (389x289mm)



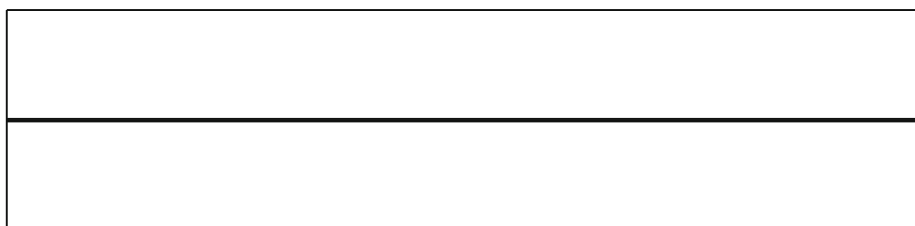
4 Bottom (389x289mm)



5 Front (389x59mm)



1 Right side (1800x290mm)




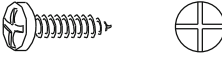
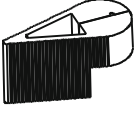

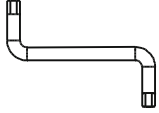
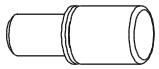
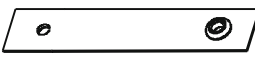
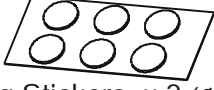
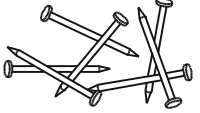
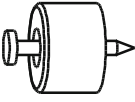
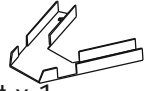
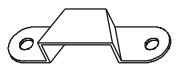
7 Back (1737x417mm)



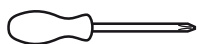
Components - Fittings

Please check you have all the fittings listed below

Note: The quantities below are the correct amount to complete the assembly. In some cases more fittings may be supplied than are required.

<p>A</p>  <p>Plastic Support x 2</p>	<p>B</p>  <p>13mm Screw x 7</p>	<p>C</p>  <p>Nail Guide x 1</p>
<p>D</p>  <p>50mm Screw x 12</p>	<p>E</p>  <p>Allen Key x 1</p>	<p>F</p>  <p>Shelf Support x 16</p>
<p>G</p>  <p>Wall Strap x 1</p>	<p>H</p>  <p>6 Covering Stickers x 2 (Ø16mm)</p>	<p>I</p>  <p>Nail x 30</p>
<p>J</p>  <p>Stop Shelf x 2</p>	<p>K</p>  <p>Lower Corner Bracket x 1</p>	<p>L</p>  <p>Upper Corner Bracket x 1</p>

Tools required



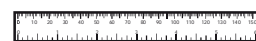
Phillips screwdriver



Small hammer

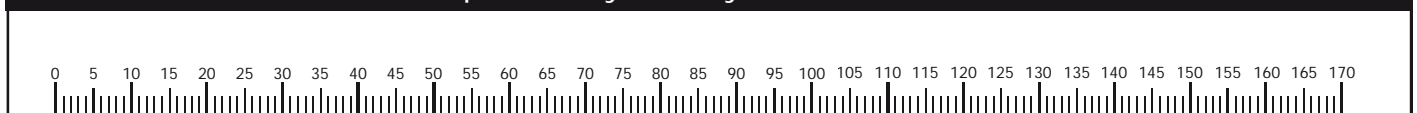


Eye protection
(when using a hammer or glue)



Ruler/tape measure

Ruler - Use this ruler to help correctly identify the screws

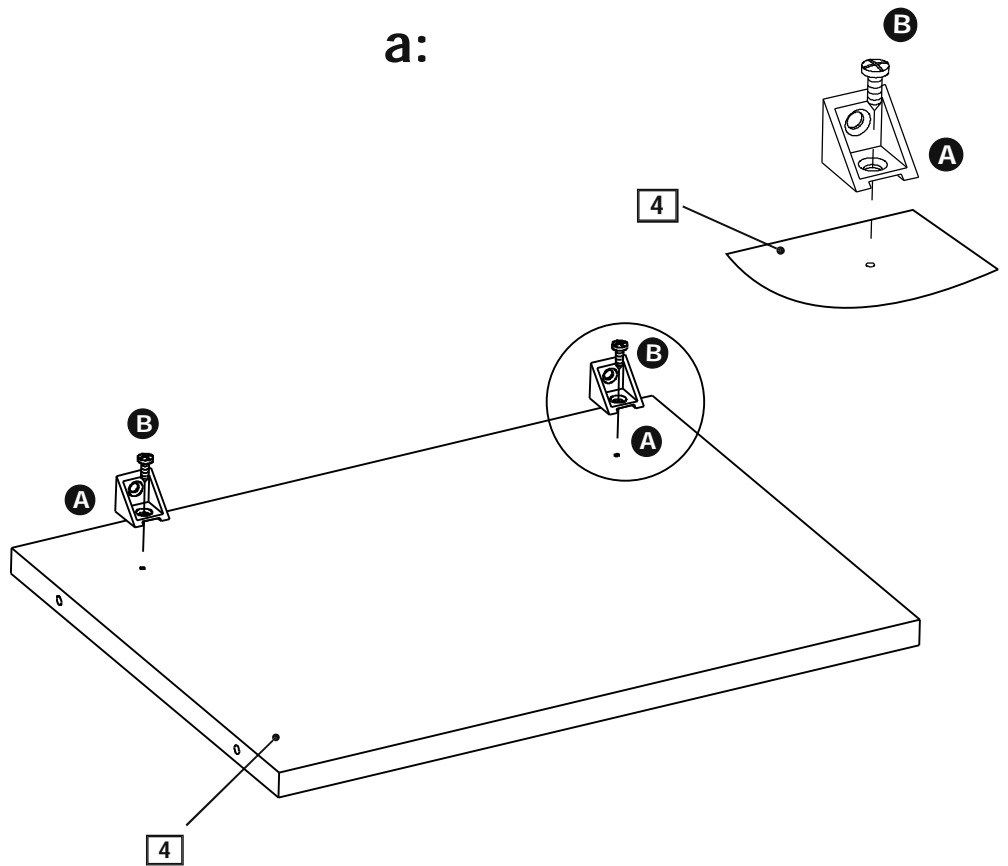


Assembly Instructions

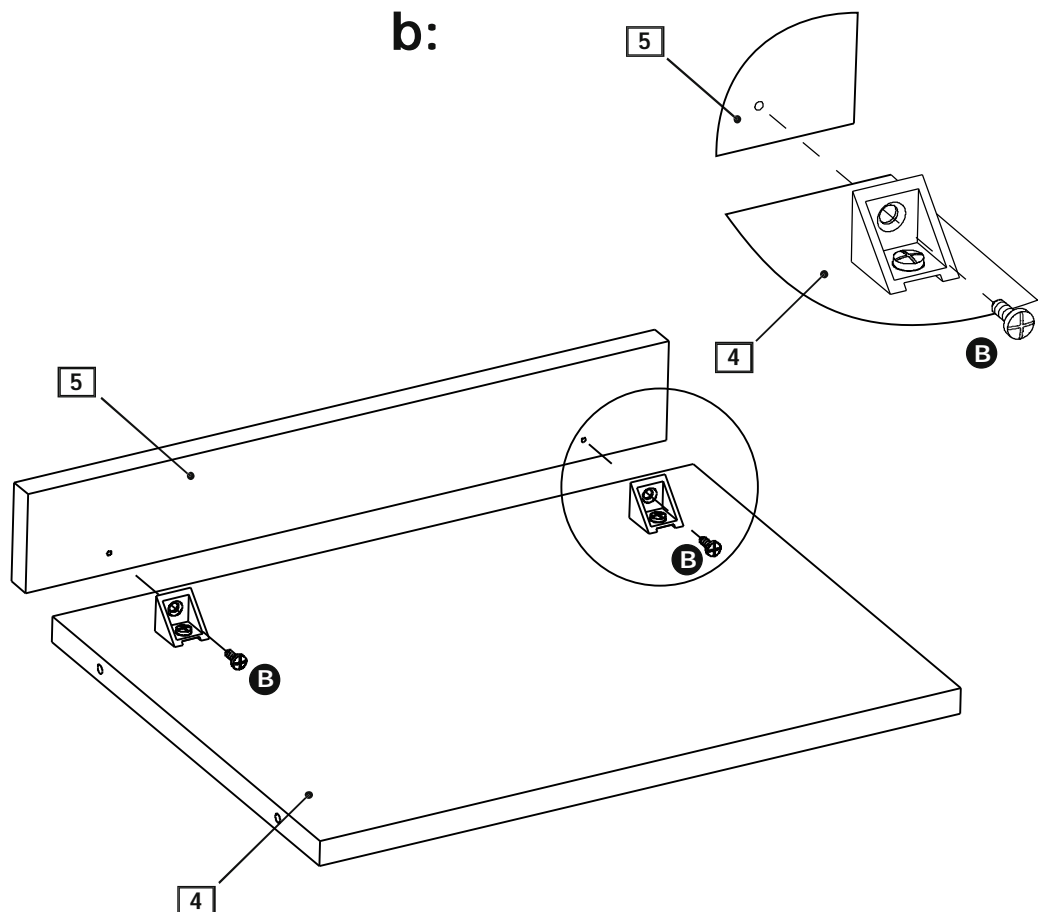
Step 1

Attaching bottom panel

a: Use Screws **B** to fix Plastic Support **A** onto the Bottom Panel **4**.



b: Use Screws **B** to connect the Front Panel **5** onto the Bottom Panel **4**.



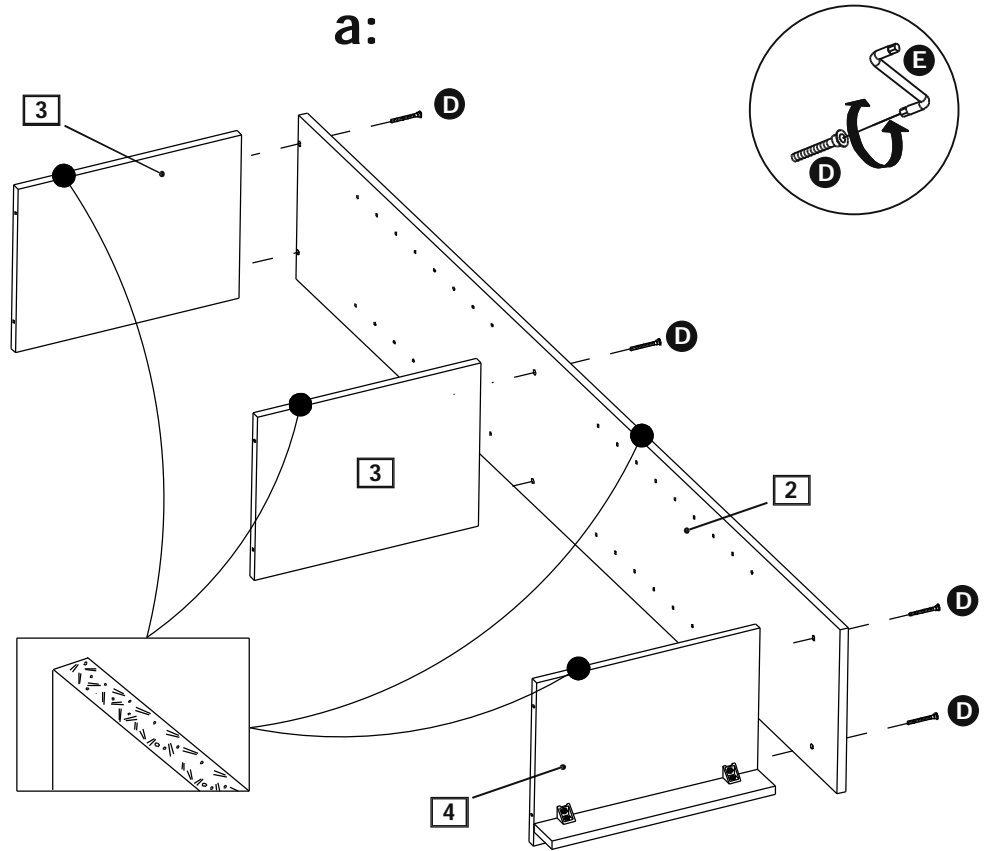
Assembly Instructions

Step 2

Attaching side panel

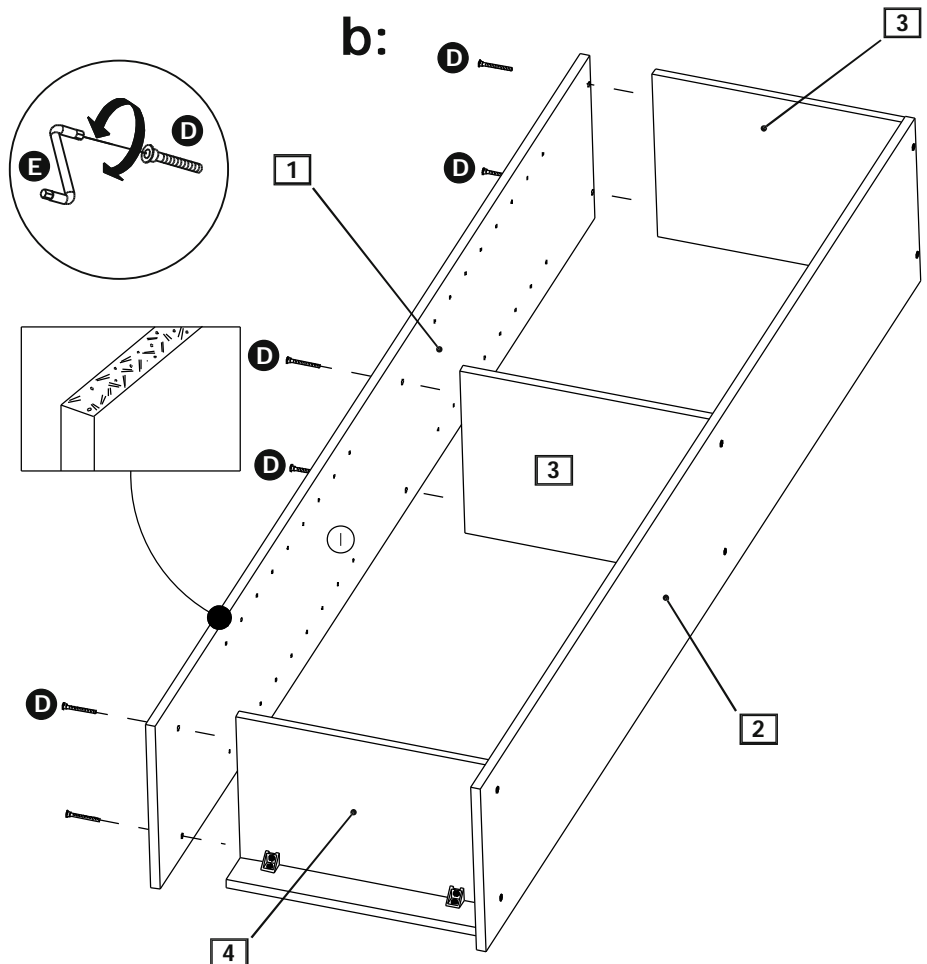
a: Use Screws **D** to fix the Left Side Panel **2** onto the Bottom Panel **4** and the two Panels (Bottom and Middle) **3**.

Note: Use Allen Key **E** to fix Screws **D**.



b: Use Screws **D** to fix the Right Side Panel **1** onto Bottom Panel **4** and the two Panels (Bottom and Middle) **3**.

Note: Use Allen Key **E** to fix Screws **D**.



Assembly Instructions

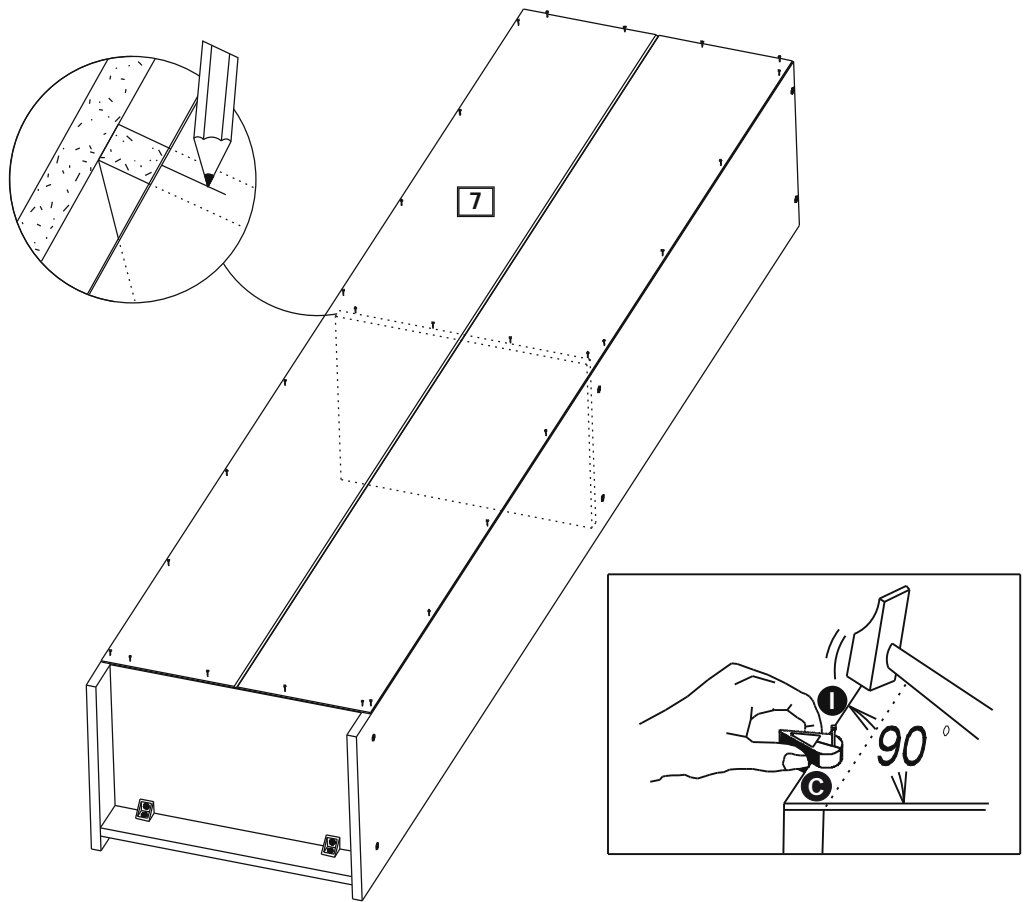
Step 3

Fixing back panel

Use Nails **1** to fix the Back Panel **7** onto the unit.

Note: Use Nail Guide **C** to keep a constant distance from the edge.

Mark Back Panel **7** for position of fixed Horizontal. Do this left and right. Join marks with ruler to guide position for nails



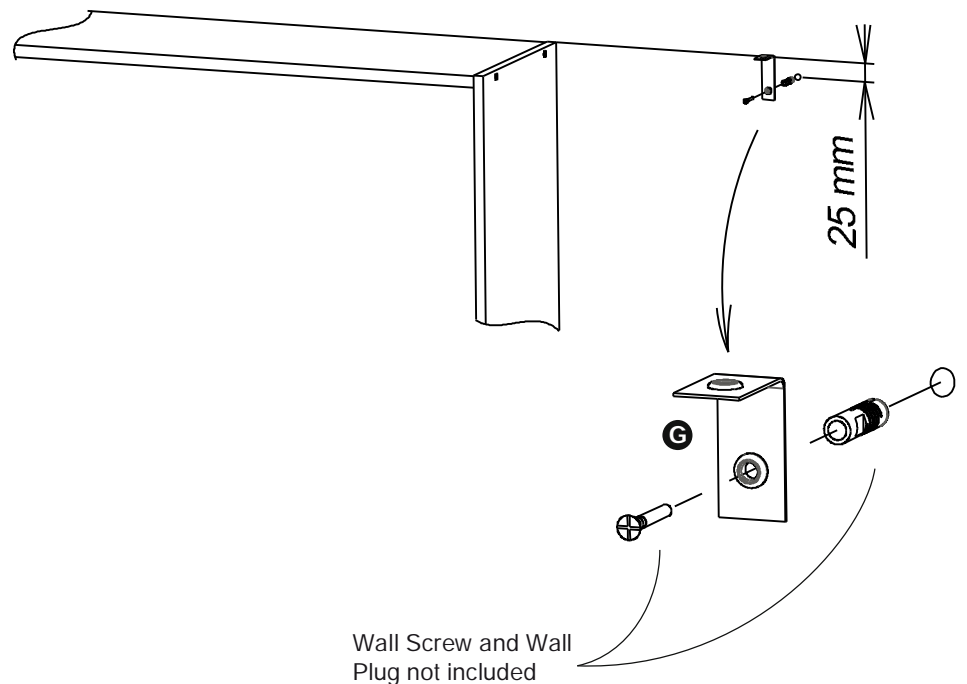
Step 4

Fixing to wall

It is recommended that the bookcase is fixed to a wall.

See Wall Fixing Guidelines at the end of these Assembly Instructions

Use Screw **B** to fix the Wall Strap **G** onto the Top of the panel.



Assembly Instructions

Step 5

Attaching Shelf Panel

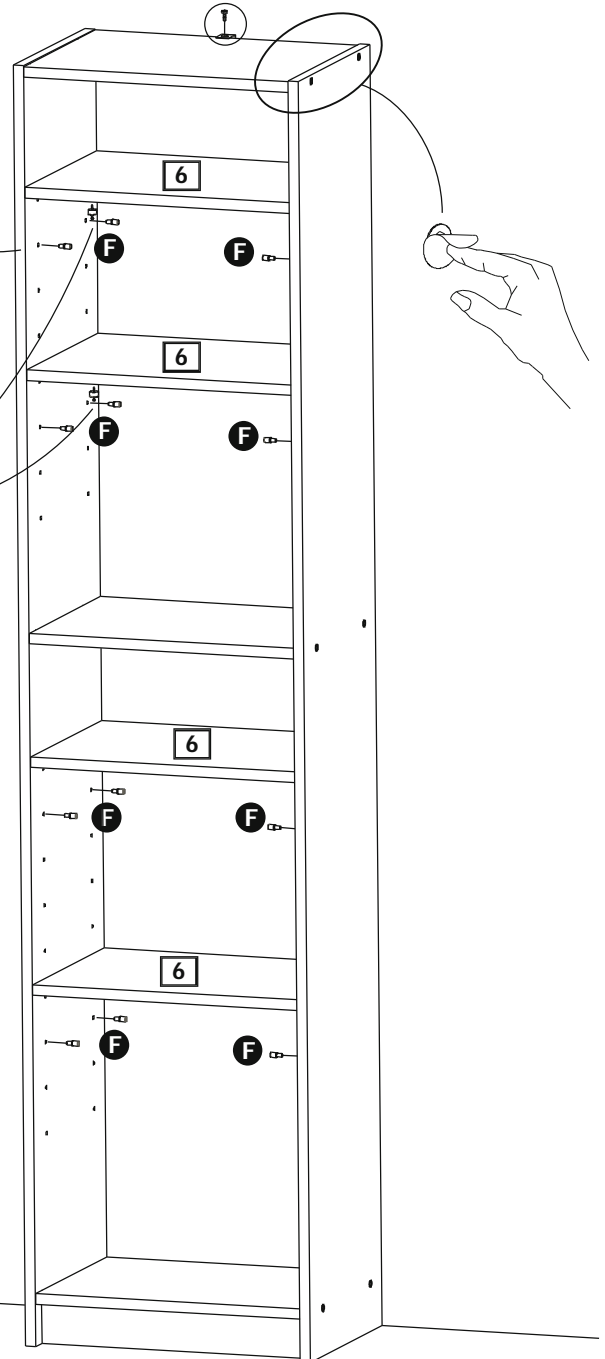
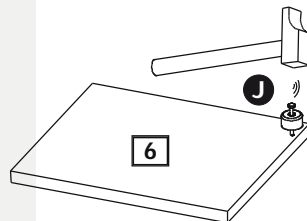
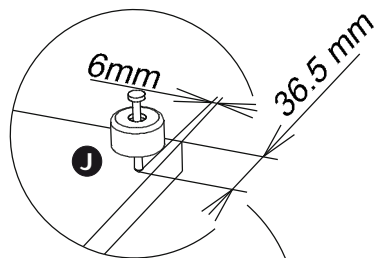
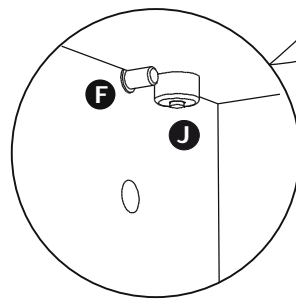
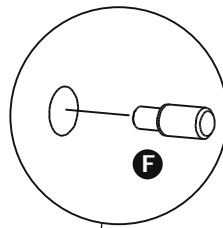
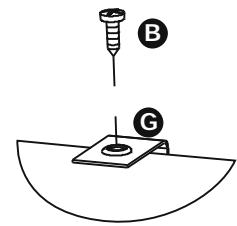
Insert Shelf Supports **F** into the unit.

Insert the two stop elements **J** on the shelves as the drawing.

Ensure they are well fitted before inserting the Shelves.

Note: Set the shelf supports to the desired height.

Slide the Shelves **6** into the unit.



Step 6

Covering Sticker

Use the Covering Sticker **H** to cover the Screw Heads.

Assembly Instructions

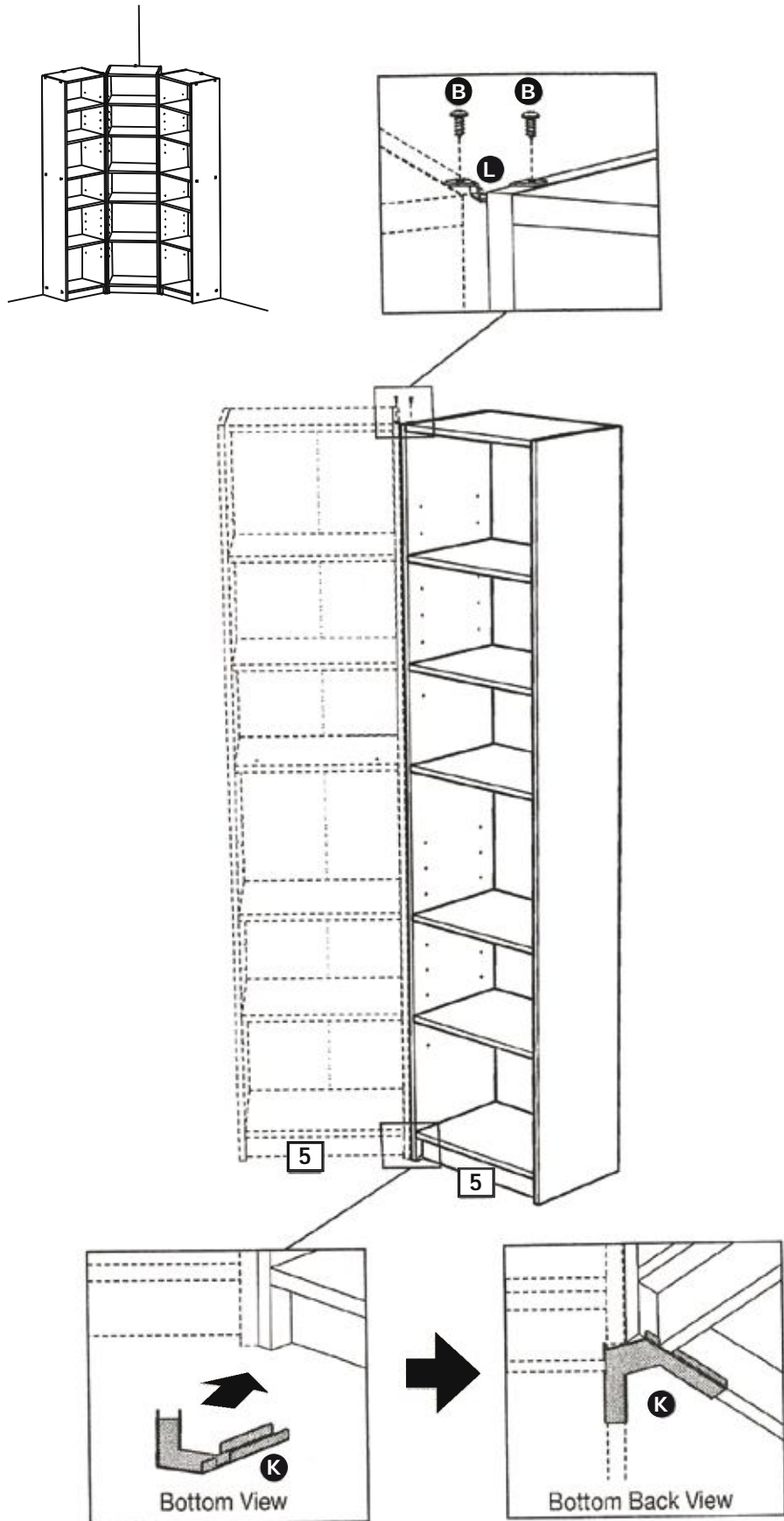
Step 7

Construct a corner configuration

Use Screws **B** to fix the Upper Corner Bracket **L** onto the front top edge of the panel.

Slot the front bottom edge of side panel into the Lower Corner Bracket **K**.

Make sure the Front panel **5** is positioned in the gap of Lower Corner Bracket **K**.



A Guide to - Wall Mounting & Fixings

Important note:

If plastic wall plugs are supplied with your product:



- there are only suitable for use in masonry walls.

If you are in any doubt about the correct wall plugs for your wall, seek professional advice.


Failure of the product due to using incorrect fixings is the responsibility of the installer.



Important: When drilling into walls always check that there are no hidden wires or pipes etc.

Make sure that the screws and wall plugs being used are suitable for supporting your unit. Consult a qualified tradesperson if you are unsure.

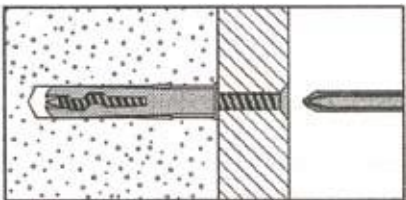
Hints:

- 1: **General rule:**  Always use a larger screw and wall plug if you are not sure.
- 2: Ensure you use the recommended drill bit to match the wall plug and hole size.
- 3: Ensure you drill the hole horizontally, do not force the drill or enlarge the hole.
- 4: Take extra care when drilling high walls, ceilings and ceramic tiles. Ensure wall plugs are inserted beyond the thickness of the ceramic tiles to avoid the tiles splitting or cracking.
- 5: Ensure wall plugs are well fitted and are a tight fit in the drilled hole.

Types of walls

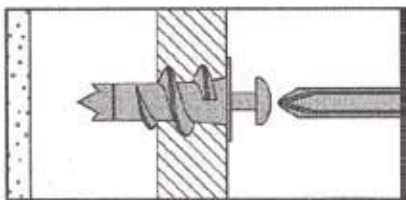
You can use one of the following types of wall plug if your walls are made of brick, breeze block, concrete, stone or wood.

No.1 "General Purpose" wall plug



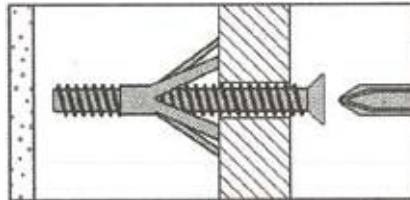
Generally aerated blocks should not be used to support heavy loads, use a specialist fitting in this case. For light loads, general purpose wall plugs can be used.

No.2 "Plasterboard" wall plug



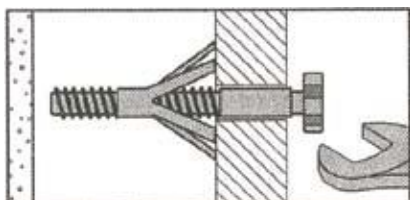
For use when attaching light loads on to plasterboard partitions.

No.3 "Cavity Fixing" wall plug



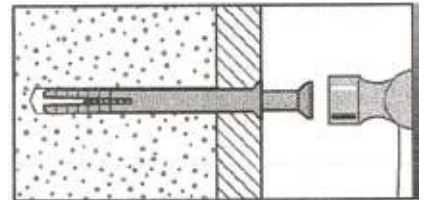
For use with plasterboard partitions or hollow wooden doors.

No.4 "Cavity Fixing-Heavy Duty" wall plug



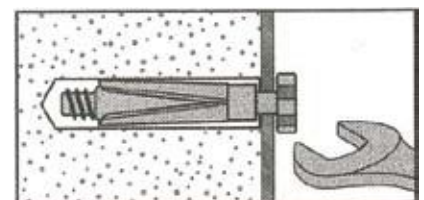
For use when fitting or supporting heavy loads such as shelving, wall cabinets and coat racks.

No.5 "Hammer Fixing" wall plug



For use with walls stuck with plasterboard. The hammer fixing allows it to be fixed to the wall rather than the plasterboard. Always check the fixing is secure to the retaining wall.

No.6 "Shield Anchor" wall plug
Heavy loads



For use with heavier loads such as TV & HiFi speakers and satellite dishes etc.



Care & Maintenance

Safety: Always check the fitting and location to ensure your safety in and around the home.

Fitting: From time to time check the fitting to ensure the wall plugs or screws do not become loose.