

# Half Width Small Extra Deep Bookcase

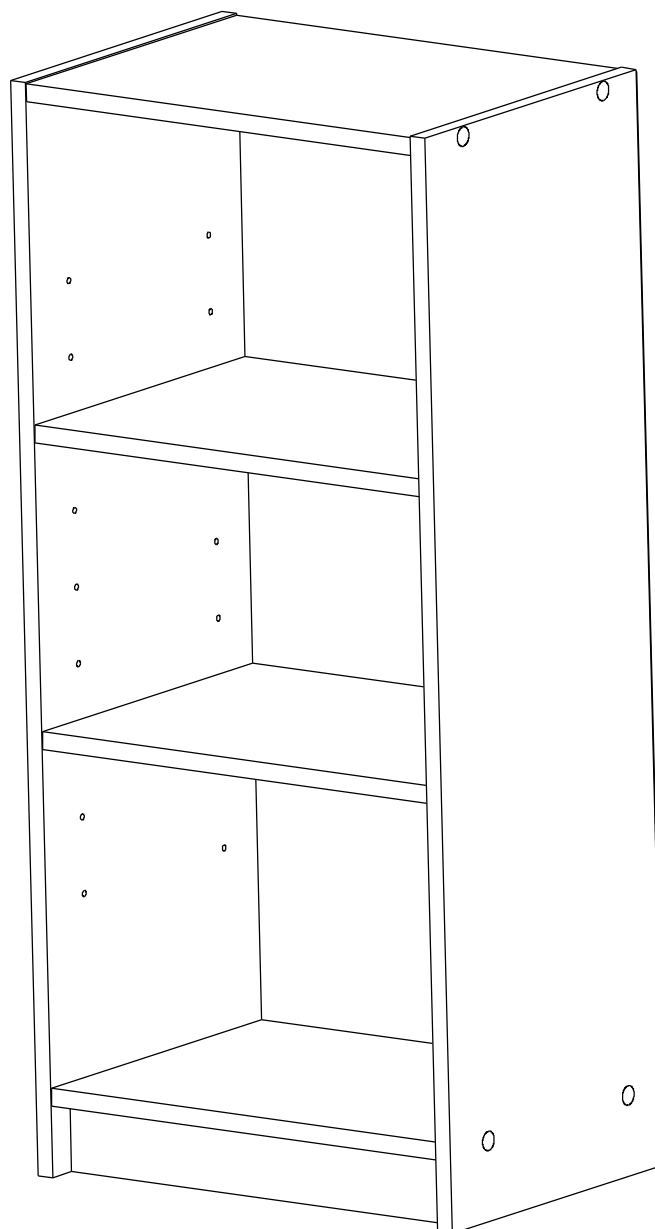
Assembly Instructions - Please keep for future reference

609/2160

609/2191

609/2184

609/2177



## Dimensions

Width - 42cm

Depth - 29cm

Height - 91.5cm

**Important - Please read these instructions fully before starting assembly**

If you need help or have damaged or missing parts, call the **Customer Helpline: 08456 400 800**

Date : 01/11/10



# Safety and Care Advice

**Important** – Please read these instructions fully before starting assembly

- Check you have all the components and tools listed on pages 2 and 3.
- Remove all fittings from the plastic bags and separate them into their groups.
- Keep children and animals away from the work area, small parts could choke if swallowed.
- Make sure you have enough space to layout the parts before starting.

- Do not stand or put weight on the product, this could cause damage.
- Assemble the item as close to its final position (in the same room) as possible.
- Assemble on a soft level surface to avoid damaging the unit or your floor.
- Parts of the assembly will be easier with 2 people.



- We do not recommend the use of power drill/drivers **for inserting screws**, as this could damage the unit. Only use hand screwdrivers.
- Dispose of all packaging carefully and responsibly.

## Care and maintenance

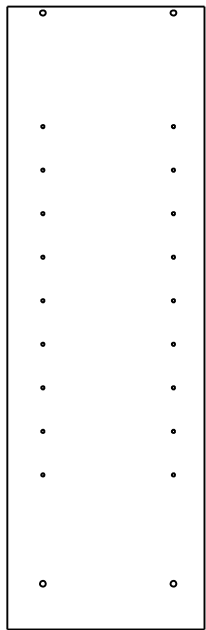
- Only clean using a damp cloth and mild detergent, do not use bleach or abrasive cleaners.
- From time to time check that there are no loose screws on this unit.
- This product should not be discarded with household waste. Take to your local authority waste disposal centre.

**Note:** if required the next page can be cut out and used as reference throughout the assembly. Keep this page with these instructions for future reference.

# Components - Panels

If you have damaged or missing components, call the **Customer Helpline: 08456 400 800**

Please check you have all the panels listed below



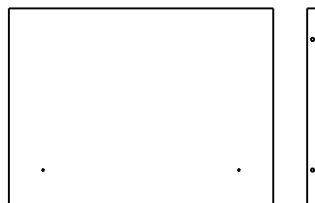
**2** Left side (915x290mm)



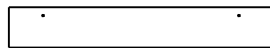
**3** Top (389x289mm)



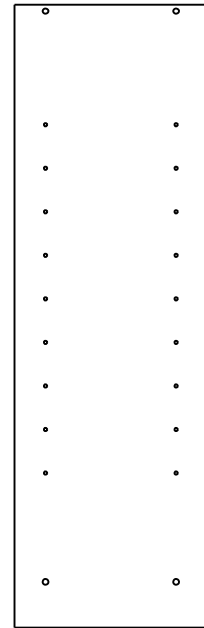
**5** Shelf x 2 (389x289mm)



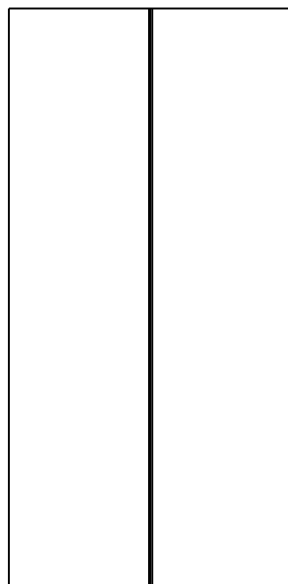
**4** Bottom (389x289mm)



**6** Front (389x59mm)



**1** Right side (915x290mm)






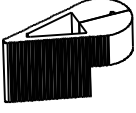


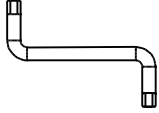
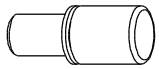
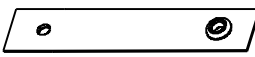
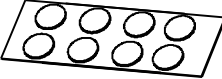
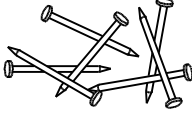
**7** Back (852x417mm)



# Components - Fittings

Please check you have all the fittings listed below

**Note:** The quantities below are the correct amount to complete the assembly. In some cases more fittings may be supplied than are required.

<p><b>A</b></p>  <p>Plastic Support x 2</p>	<p><b>B</b></p>   <p>13mm Screw x 5</p>	<p><b>C</b></p>  <p>Nail Guide x 1</p>
<p><b>D</b></p>   <p>50mm Screw x 8</p>	<p><b>E</b></p>  <p>Allen Key x 1</p>	<p><b>F</b></p>  <p>Shelf Support x 8</p>
<p><b>G</b></p>  <p>Wall Strap x 1</p>	<p><b>H</b></p>  <p>8 Covering Stickers x 1 (Ø16mm)</p>	<p><b>I</b></p>  <p>Nail x 30</p>

## Tools required



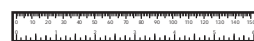
Phillips screwdriver



Small hammer



Eye protection  
(when using a hammer or glue)



Ruler/tape measure

**Ruler** - Use this ruler to help correctly identify the screws

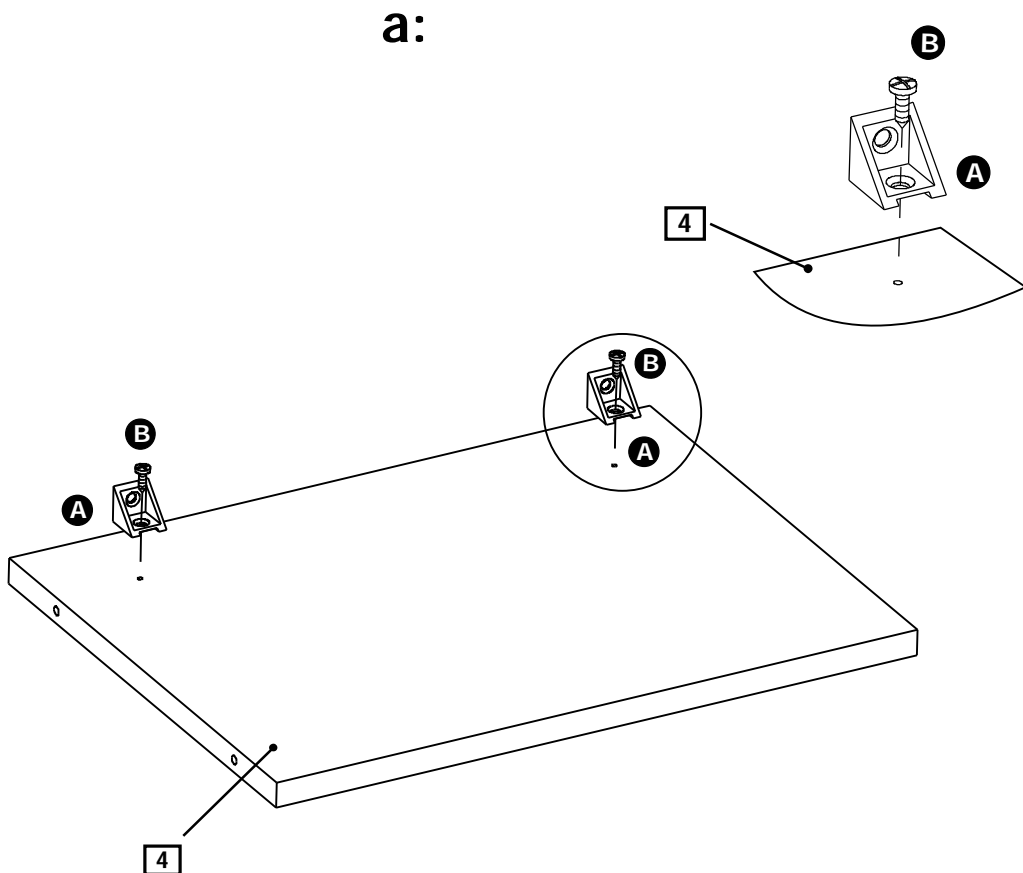


# Assembly Instructions

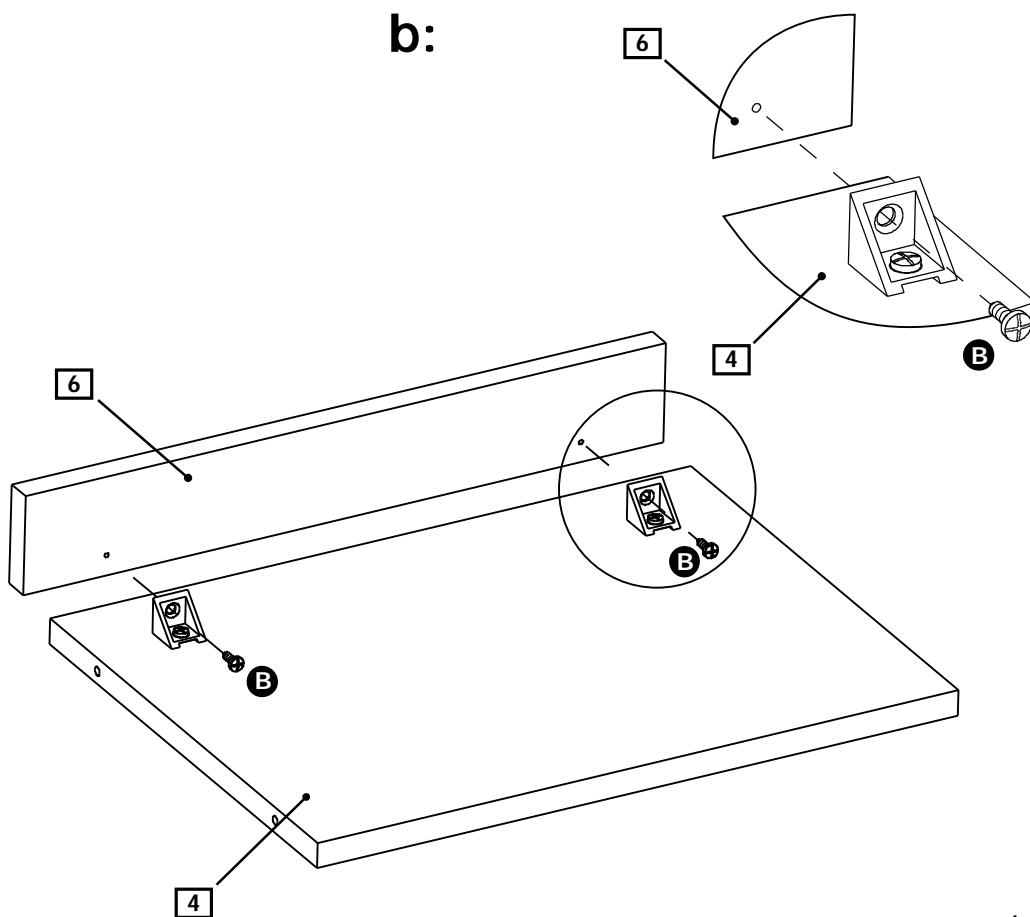
## Step 1

### Attaching bottom panel

**a:** Use Screws **B** to fix Plastic Support **A** onto the Bottom Panel **4**.



**b:** Use Screws **B** to connect the Front Panel **6** onto the Bottom Panel **4**.



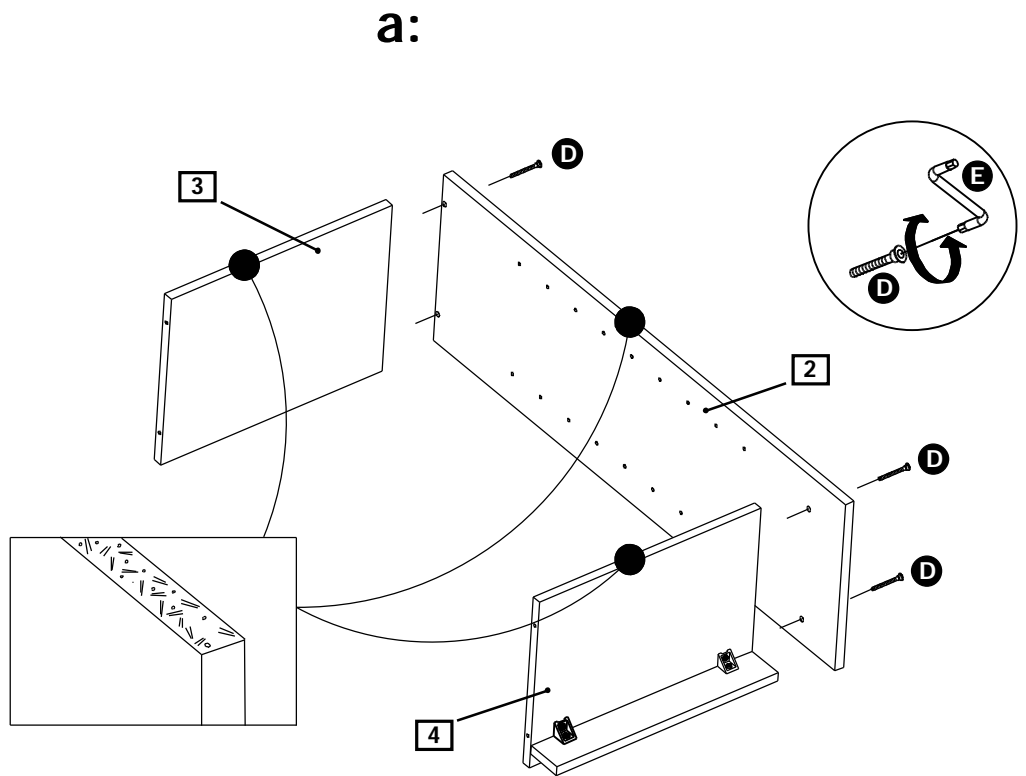
# Assembly Instructions

## Step 2

### Attaching side panel

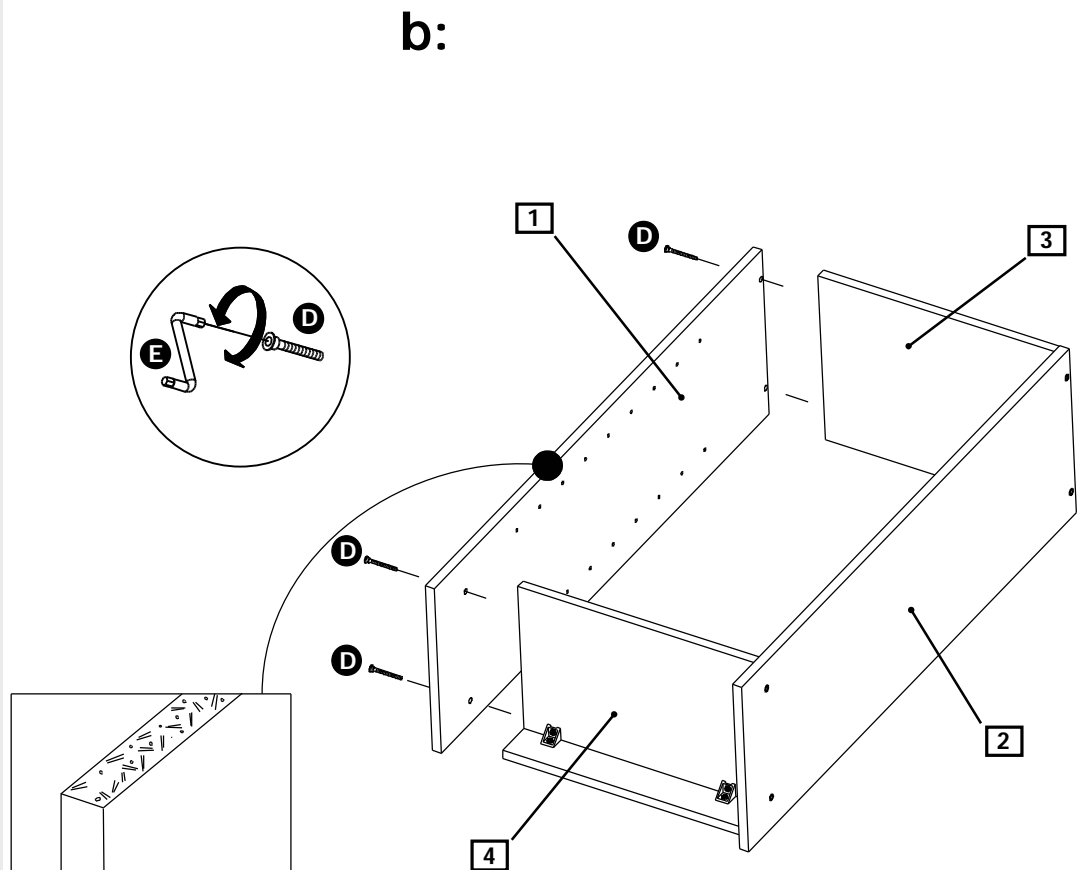
**a:** Use Screws **D** to fix the Left Side Panel **2** onto the Bottom Panel **4** and Top Panel **3**.

**Note:** Use Allen Key **E** to fix Screws **D**.



**b:** Use Screws **D** to fix the Right Side Panel **1** onto the Bottom Panel **4** and Top Panel **3**.

**Note:** Use Allen Key **E** to fix Screws **D**.



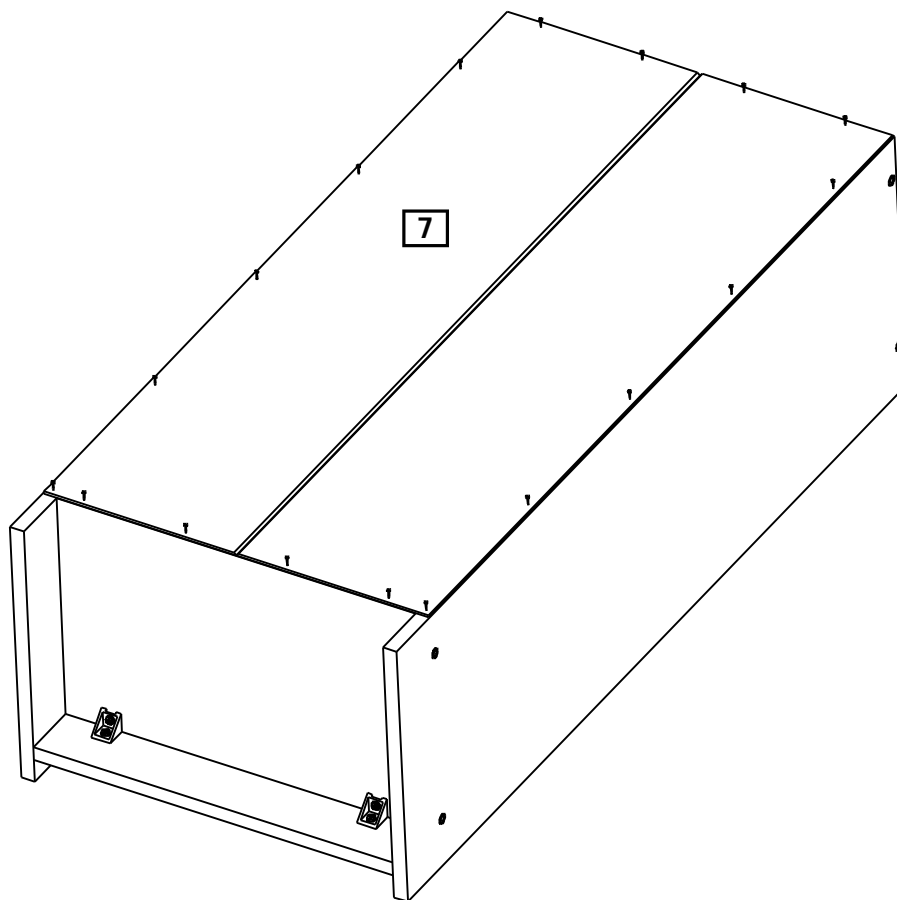
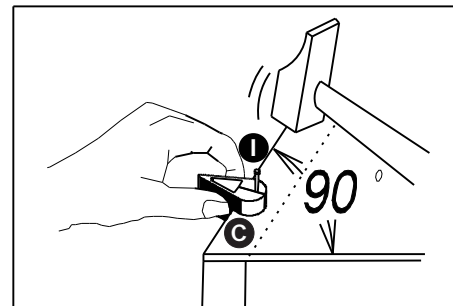
# Assembly Instructions

## Step 3

### Fixing back panel

Use Nails **1** to fix the Back Panel **7** onto the unit.

**Note:** Use Nail Guide **C** to keep a constant distance from the edge.



# Assembly Instructions

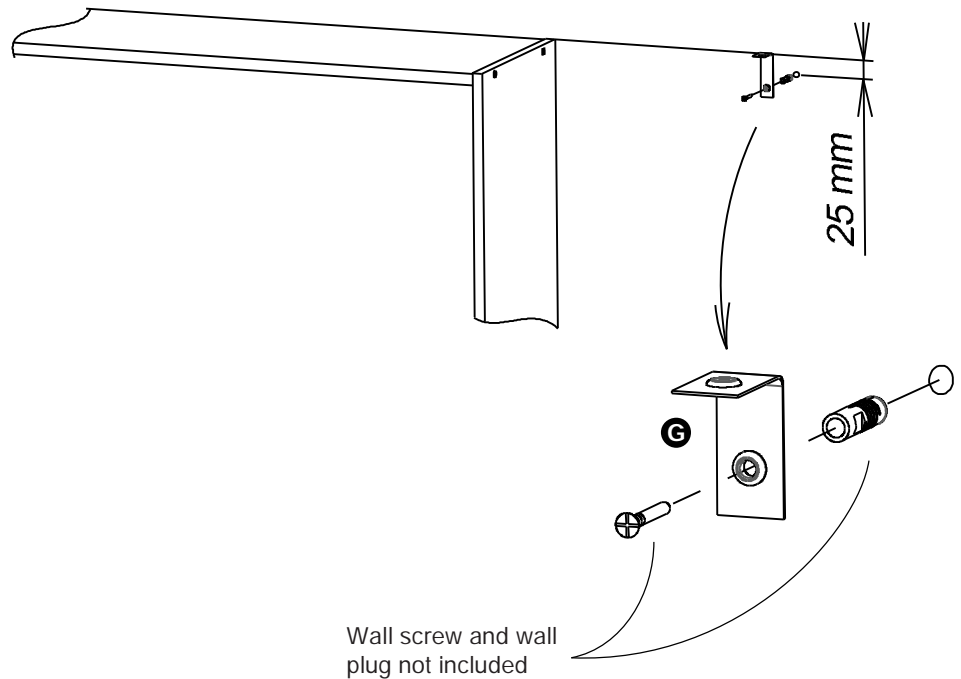
## Step 4

### Fixing to wall

It is recommended that the bookcase is fixed to a wall.

See Wall Fixing Guidelines at the end of these Assembly Instructions

Use Screw **B** to fix the Wall Strap **G** onto the Top of the panel.



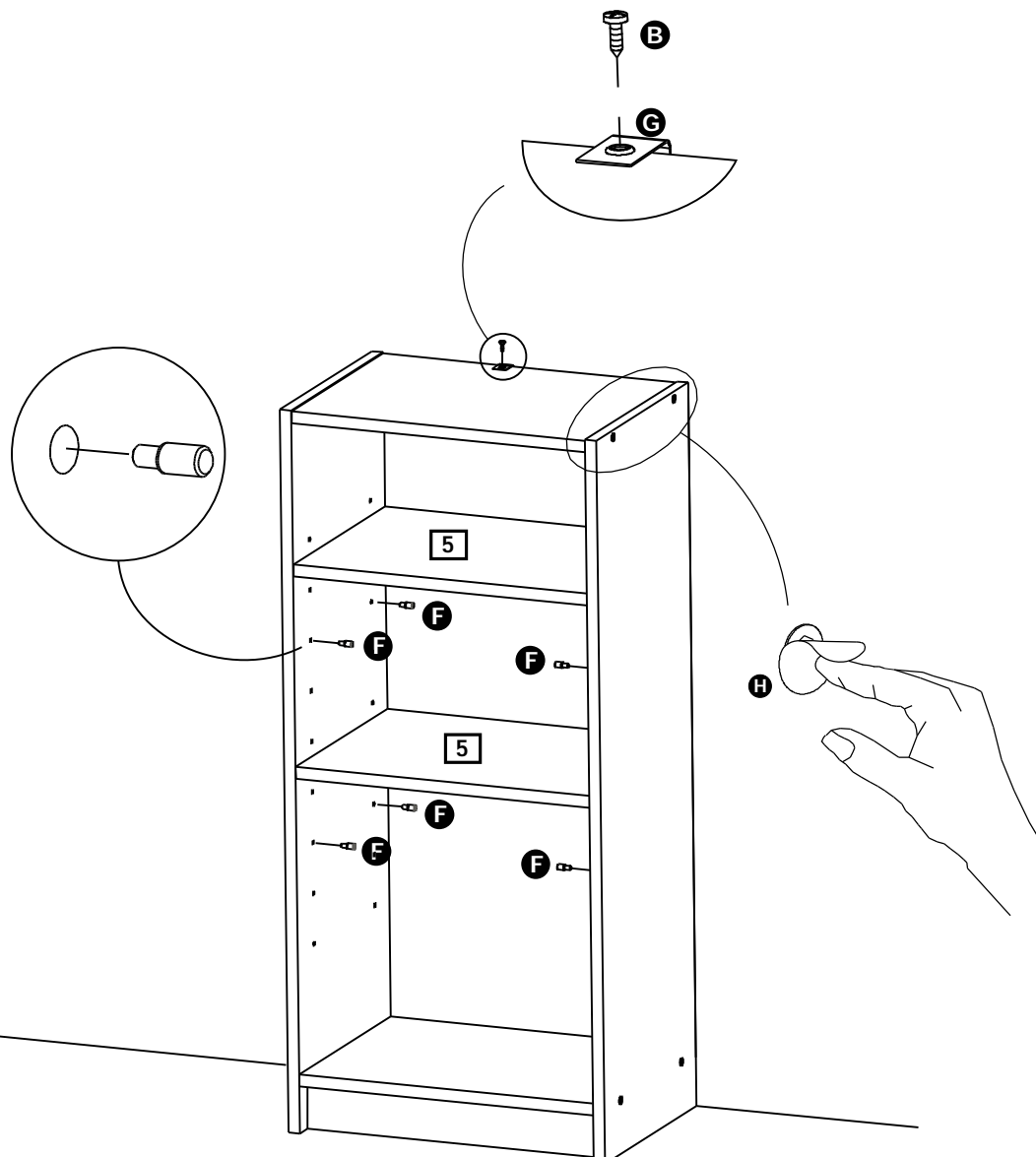
## Step 5

### Attaching shelf panel

Insert Shelf Supports **F** into the unit.  
Ensure they are well fitted before inserting the Shelves.

**Note:** Set the shelf supports to the desired height.

Slide the Shelves **5** into the unit.



## Step 6

### Covering Sticker

Use the Covering Sticker **H** to cover the Screw Heads.



# A Guide to - Wall Mounting & Fixings

## Important note:

If plastic wall plugs are supplied with your product:



- there are only suitable for use in masonry walls.

If you are in any doubt about the correct wall plugs for your wall, seek professional advice.


Failure of the product due to using incorrect fixings is the responsibility of the installer.



**Important:** When drilling into walls always check that there are no hidden wires or pipes etc.

Make sure that the screws and wall plugs being used are suitable for supporting your unit. Consult a qualified tradesperson if you are unsure.

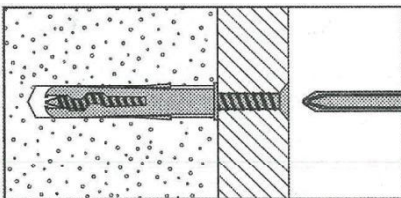
### Hints:

- 1: **General rule:**  Always use a larger screw and wall plug if you are not sure.
- 2: Ensure you use the recommended drill bit to match the wall plug and hole size.
- 3: Ensure you drill the hole horizontally, do not force the drill or enlarge the hole.
- 4: Take extra care when drilling high walls, ceilings and ceramic tiles. Ensure wall plugs are inserted beyond the thickness of the ceramic tiles to avoid the tiles splitting or cracking.
- 5: Ensure wall plugs are well fitted and are a tight fit in the drilled hole.

## Types of walls

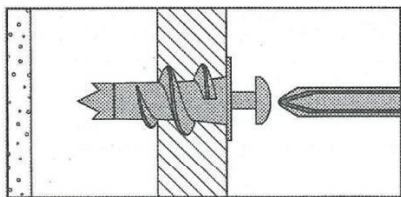
You can use one of the following types of wall plug if your walls are made of brick, breeze block, concrete, stone or wood.

### No.1 "General Purpose" wall plug



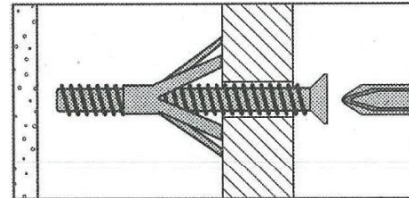
Generally aerated blocks should not be used to support heavy loads, use a specialist fitting in this case. For light loads, general purpose wall plugs can be used.

### No.2 "Plasterboard" wall plug



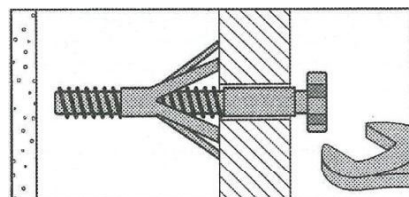
For use when attaching light loads on to plasterboard partitions.

### No.3 "Cavity Fixing" wall plug



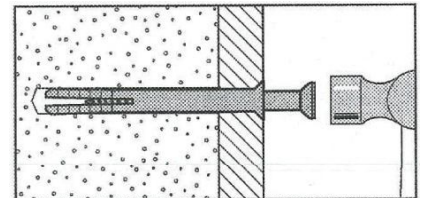
For use with plasterboard partitions or hollow wooden doors.

### No.4 "Cavity Fixing-Heavy Duty" wall plug



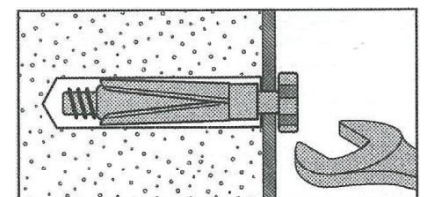
For use when fitting or supporting heavy loads such as shelving, wall cabinets and coat racks.

### No.5 "Hammer Fixing" wall plug



For use with walls stuck with plasterboard. The hammer fixing allows it to be fixed to the wall rather than the plasterboard. Always check the fixing is secure to the retaining wall.

### No.6 "Shield Anchor" wall plug Heavy loads



For use with heavier loads such as TV & HiFi speakers and satellite dishes etc.



## Care & Maintenance

**Safety:** Always check the fitting and location to ensure your safety in and around the home.

**Fitting:** From time to time check the fitting to ensure the wall plugs or screws do not become loose.