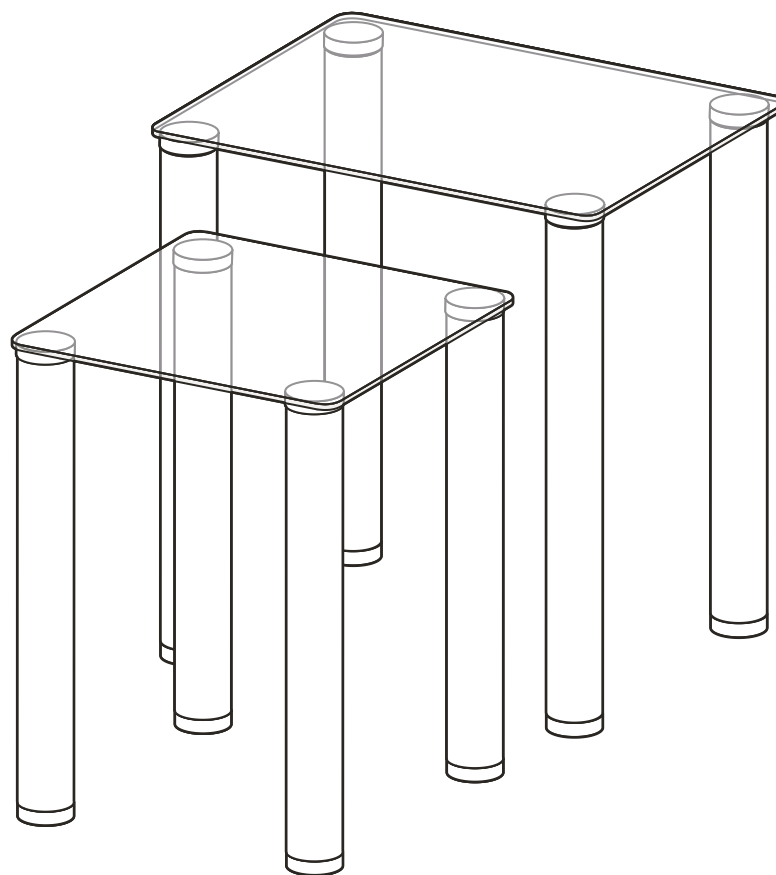


# Matrix - Glass Nest Table

Assembly Instructions - Please keep for future reference

609/1903

609/1910



## Small dimensions

Width - 33cm  
Depth - 33cm  
Height - 45cm

## Large dimensions

Width - 45cm  
Depth - 35cm  
Height - 50cm

**Important** - Please read these instruction fully before starting assembly

If you need help or have damaged or missing parts, call the **Customer Helpline: 08456 400800**

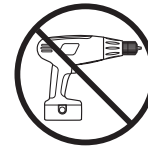


# Safety and Care Advice

**Important - Please read these instructions fully before starting assembly**

- Check you have all the components and tools listed on pages 2.
- Remove all fittings from the plastic bags and separate them into their groups.
- Keep children and animals away from the work area, small parts could choke if swallowed.
- Make sure you have enough space to layout the parts before starting.

- Do not stand or put weight on the product, this could cause damage.
- Assemble the item as close to its final position (in the same room) as possible.
- Assemble on a soft level surface to avoid damaging the unit or your floor.
- Parts of the assembly will be easier with 2 people.



- We do not recommend the use of power drill/drivers for inserting screws, as this could damage the unit. Only use hand screwdrivers.
- Dispose of all packaging carefully and responsibly.

## Care and maintenance

- Only clean using a damp cloth and mild detergent, do not use bleach or abrasive cleaners.
- From time to time check that there are no loose screws on this unit.
- This product should not be discarded with household waste. Take to your local authority waste disposal centre.

## Keep These Instructions For Future Reference

- This product complies with BSEN 12521:2009
- Argos plc  
489-499 Avebury Boulevard  
Central Milton Keynes  
MK9 2NW
- Batch No./Date of manufacture:

## Warning

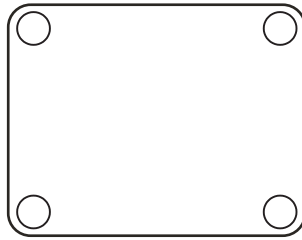
- Do not place very hot or very cold items against or in close proximity to glass surfaces unless an adequately thick insulating material is used to prevent such items from coming into contact with the glass.
- Do not sit or stand upon the glass surface(s).
- If a glass component is chipped or broken, stop using the product and consult the manufacturer or supplier.
- Do not use the glass as a chopping surface. Do not strike the glass with hard or pointed items.

# Components - Panels

Please check you have all the panels listed below



1 Metal rod x 4  
( 0.6x 48.3 cm )



2 Top glass shelf x 1  
( 45 x 35 cm )



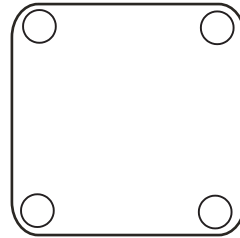
3 Metal tube x 4  
( 5 x 49 cm )



4 Feet x 8  
( 5x1.4cm )



5 Metal rod x 4  
( 0.6 x 43.3 cm )



6 Top glass shelf x 1  
( 33 x 33 cm )



7 Metal tube x 4  
( 5 x 44 cm )

Ruler - Use this ruler to help correctly identify the screws



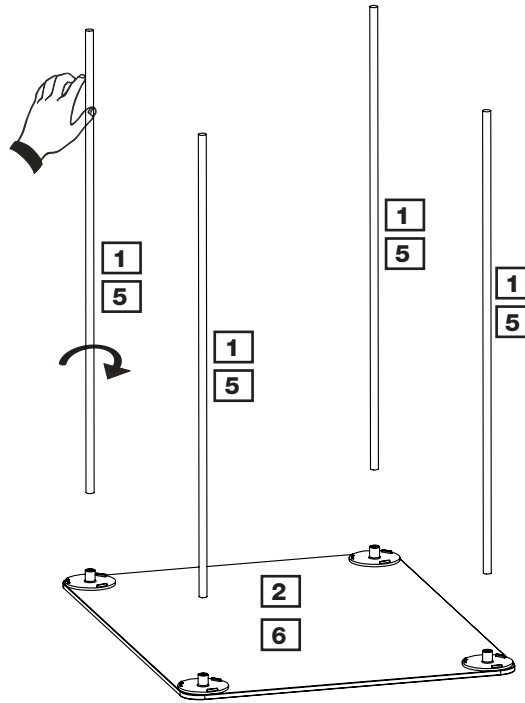
# Assembly Instructions

## Step 1- Large Table

### Attaching metal rods

Please attach the 4pcs of metal rod **1** onto panel **2** as shown.

Metal rod **5** onto panel **6**.



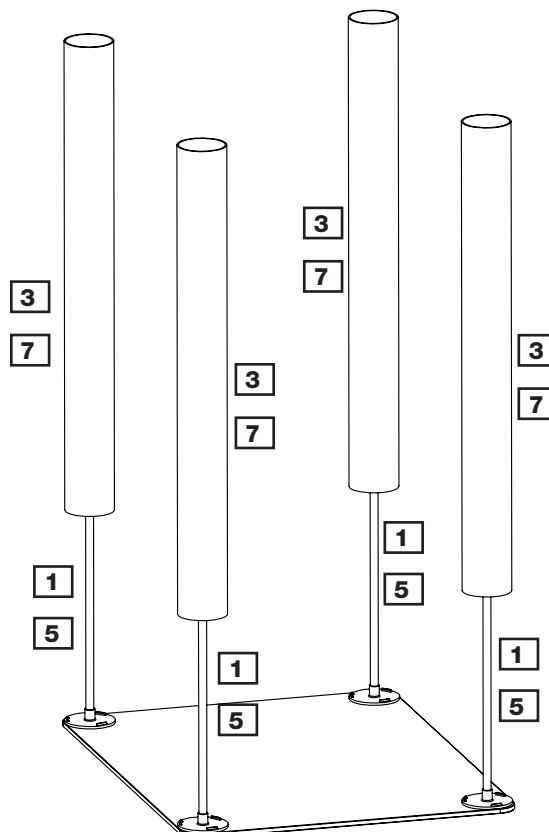
## Step 2- Large Table

### Attaching metal tubes

Attach 4 pcs of metal tubes **3** through 4 pcs of metal rods **1** as shown.

Repeat this step for Small Table.

Metal tubes **7** through metal rods **5**.



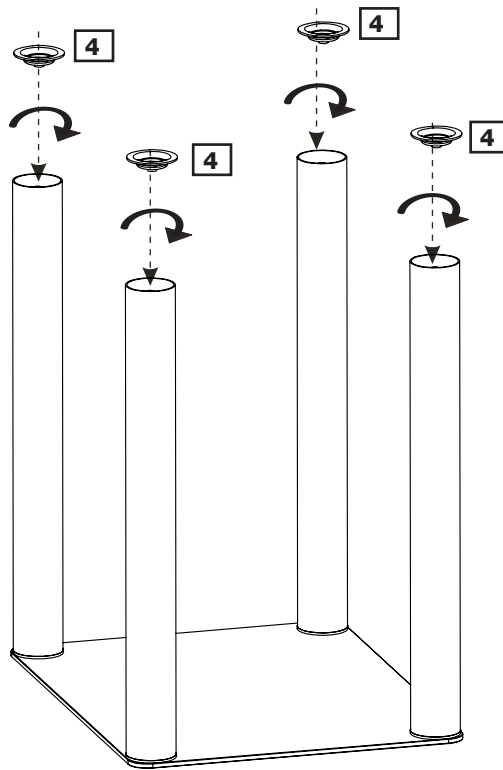
# Assembly Instructions

## Step 3 - Large Table

### Attaching foot

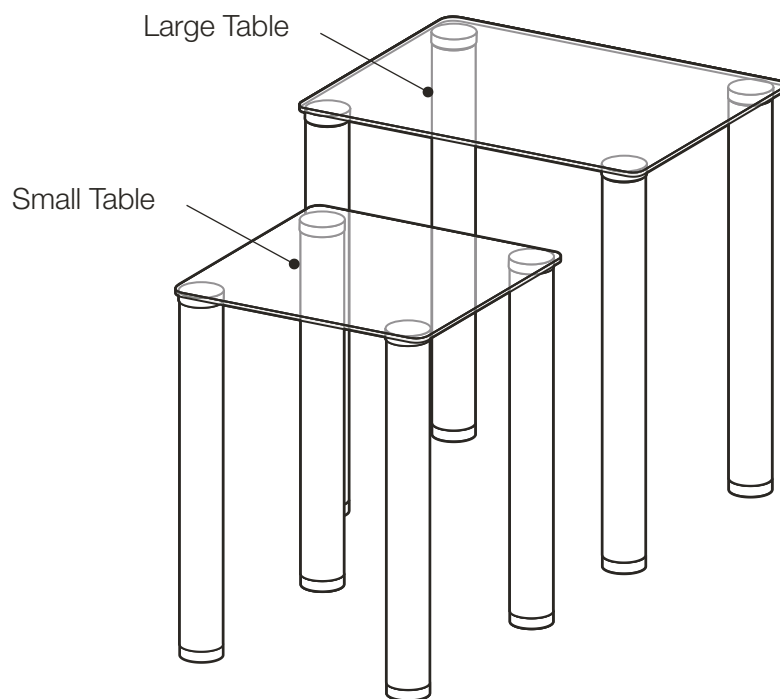
Finger tighten 4pcs of feet **4** onto the unit as shown.

Repeat this step for Small Table.



## Step 4

Assembly is complete for **Small Table and Large Table.**



If you need help or have damaged or missing parts, call the **Customer Helpline: 08456 400800**