

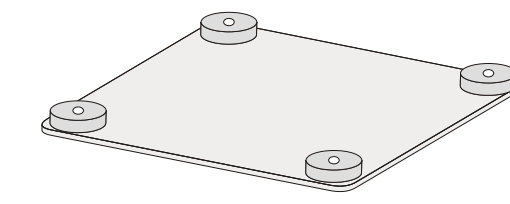
# Components

# Assembly Instructions

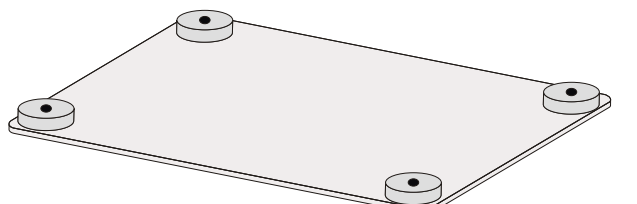
# Assembly Instructions

## Stage 1 - Fitting Metal Rod B & Metal Tube C

## Stage 2 - Fitting Feet D & Metal Rod F



**A** Top Glass Shelf x 1



**E** Top Glass Shelf x 1



**B** Metal Rod x 4



**F** Metal Rod x 4



**C** Metal Tube x 4



**G** Metal Tube x 4



**D** Metal Feet x 8

fig 1

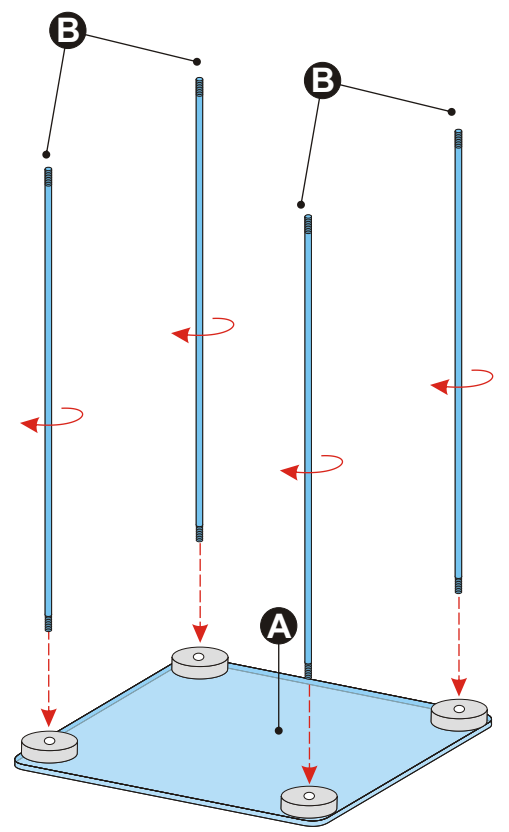


fig 2

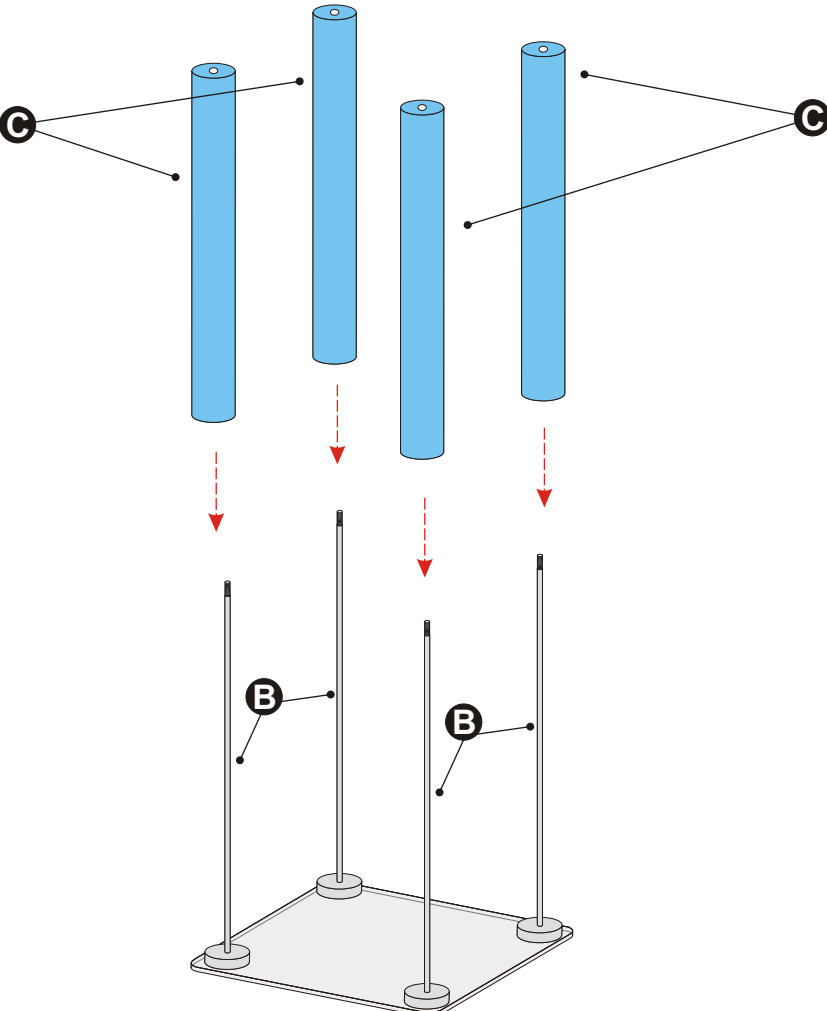


fig 3

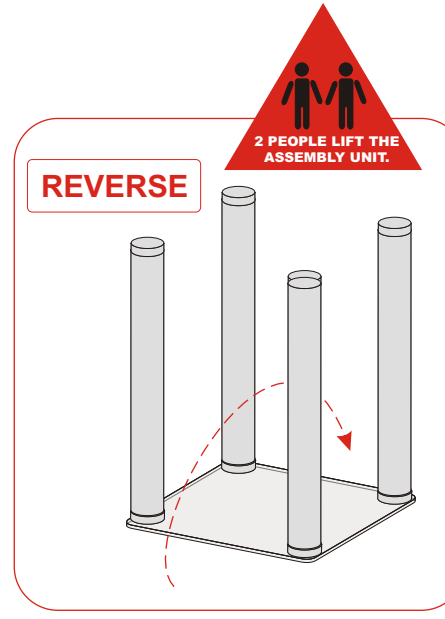
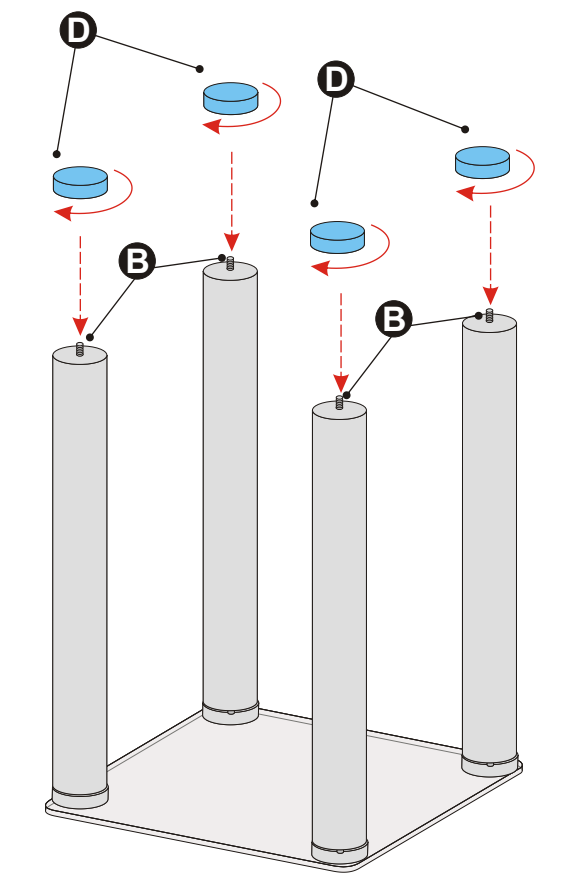
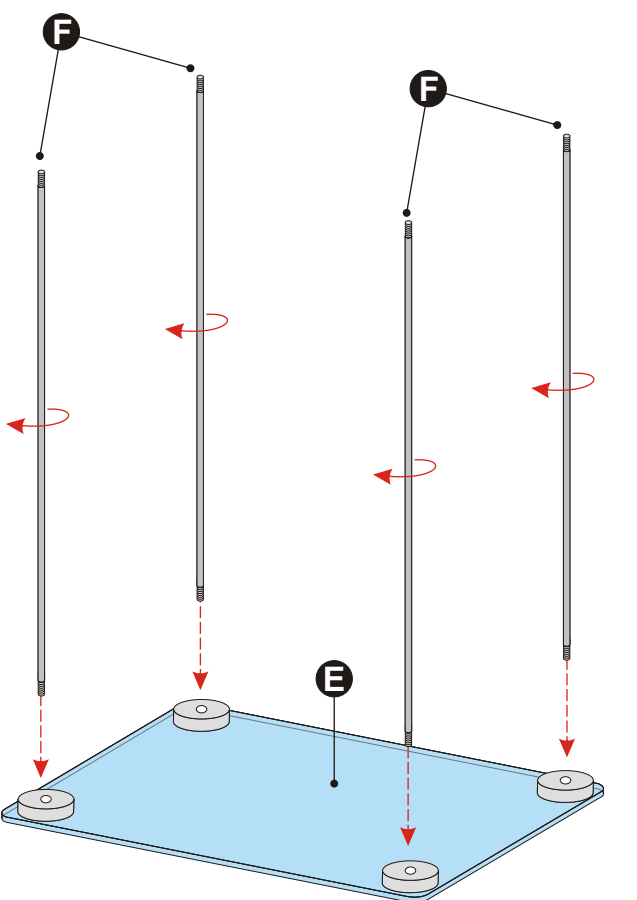


fig 4



# Assembly Instructions

## Stage 3 - Fitting Metal tube G & Feet D

fig 5

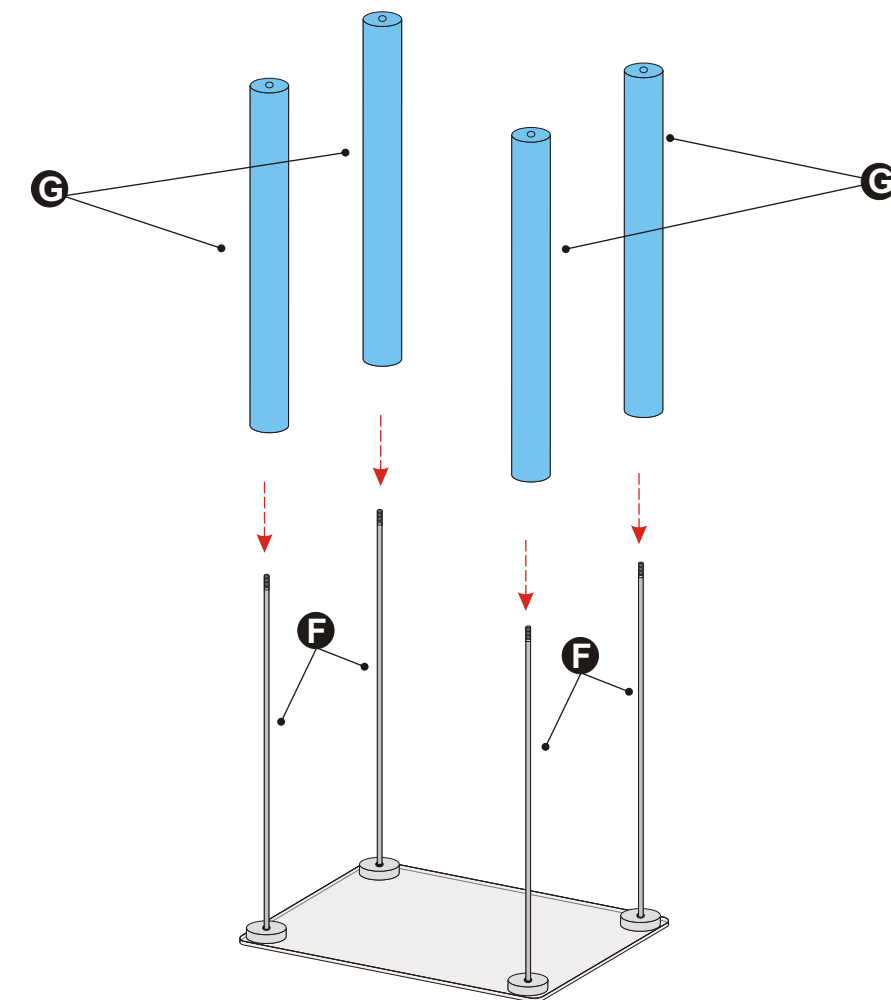
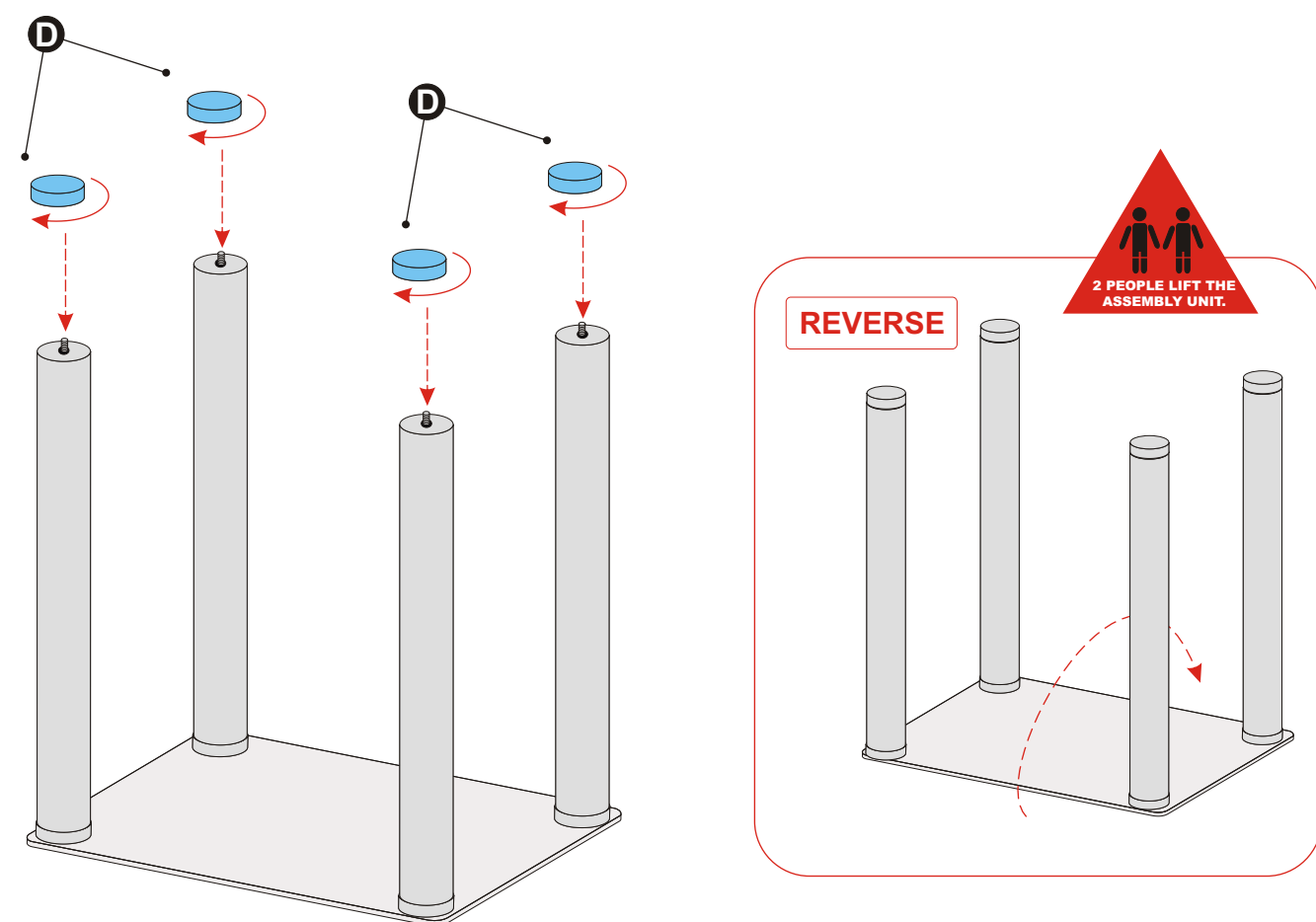


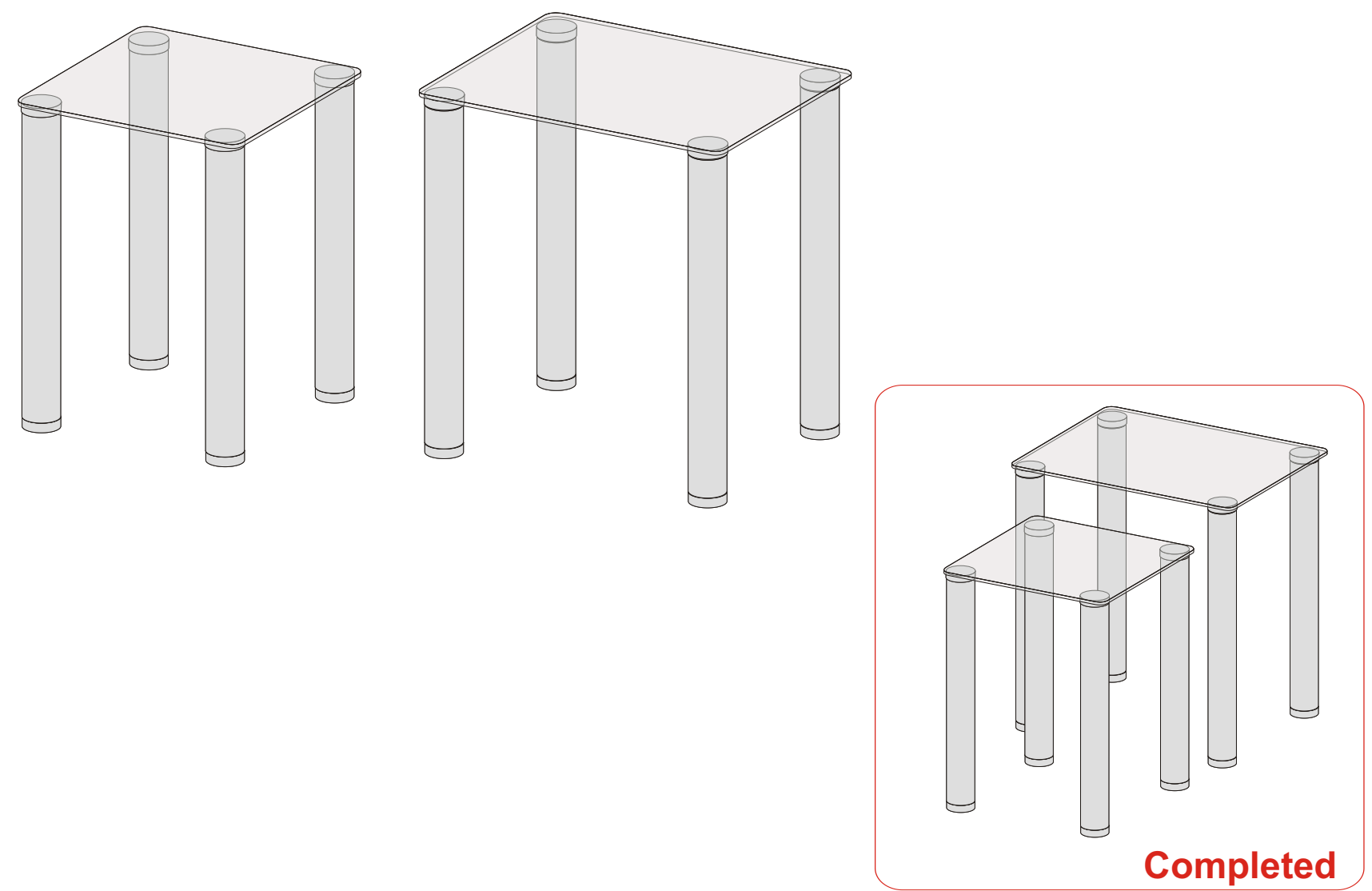
fig 6



# Assembly Instructions

## Stage 4 - Completed

fig 7



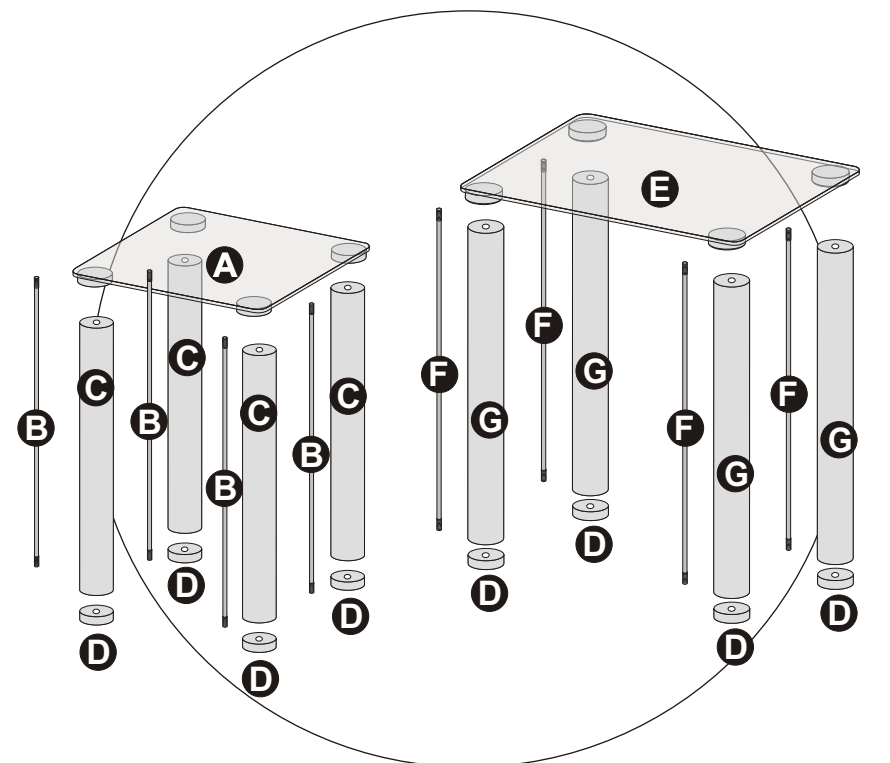
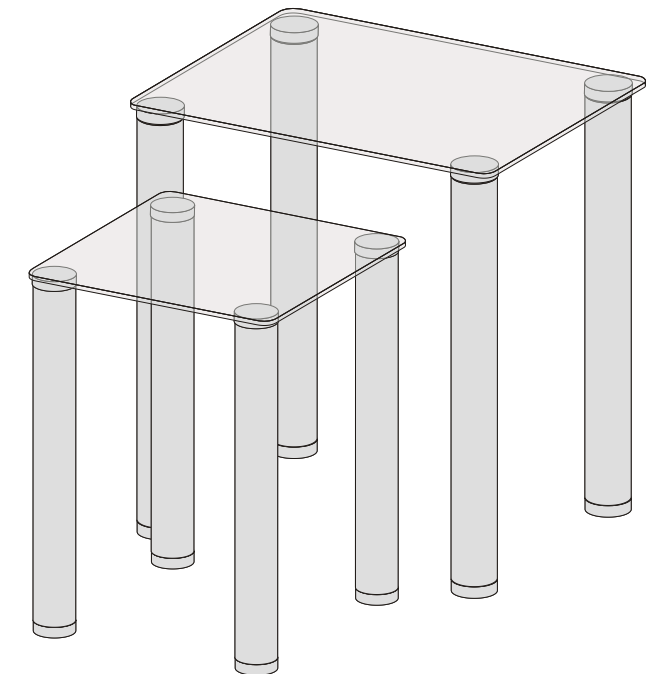
### Care and Maintenance

**Cleaning**  
Clean all surfaces with a damp cloth and mild detergent. Please do not use bleach or abrasive products.

**Fitting**  
From time to time check to ensure the screws and legs remain rigid.

# MATRIX GLASS NEST

Simplified Assembly Instructions - Please keep for future reference



### IMPORTANT

1. Read these instructions carefully and familiarise yourself with the procedures before assembling the unit.
2. Check that you have all the component parts. Follow the list on the back cover and familiarise yourself with each part before proceeding.
3. Take all the fittings out of the plastic bag and separate them into their groups.
4. Ensure you have enough space to lay out all parts before assembly.
5. To avoid scratches. It is recommended that you assemble the unit on a soft leveled surface.

### WARNING

- Do not place very hot or cold items on the glass surface(s) unless adequately thick table mats are used to prevent such items from coming into contact with the glass.
- Do not sit or stand upon the glass surface(s).
- Do not use the glass as a chopping surface. Do not strike the glass with hard or pointed items.
- When cleaning glass panels use a damp cloth or leather with washing up liquid or soft soap if necessary; do not use washing powders or any other substances containing abrasives since these substances scratch glass.

### Instructions for BS 7376 for products (tables or trolleys) which include glass

KEEP THESE INSTRUCTIONS FOR FUTURE REFERENCE

BS 7376: 2004 Fragmentation Test  
Argos plc  
489-499 Avebury Boulevard  
Central Milton Keynes  
MK9 2NW

Product Name : 6091910 (Clear Glass) / 6091903 (BLACK Glass)  
Batch Number :  
Date of Manufacture : April 2009

If the glass is chipped or broken stop using the product and consult the manufacturer or supplier

Marking BS 7376:2004 on or in relation to a product represents a manufacturer's declaration of conformity i.e. a claim by or on behalf of the manufacturer that the product meets the requirements of the standard. The accuracy of the claim is therefore solely the responsibility of the person making the claim. Such a declaration is not to be confused with third party certification of conformity, which may also be desirable.