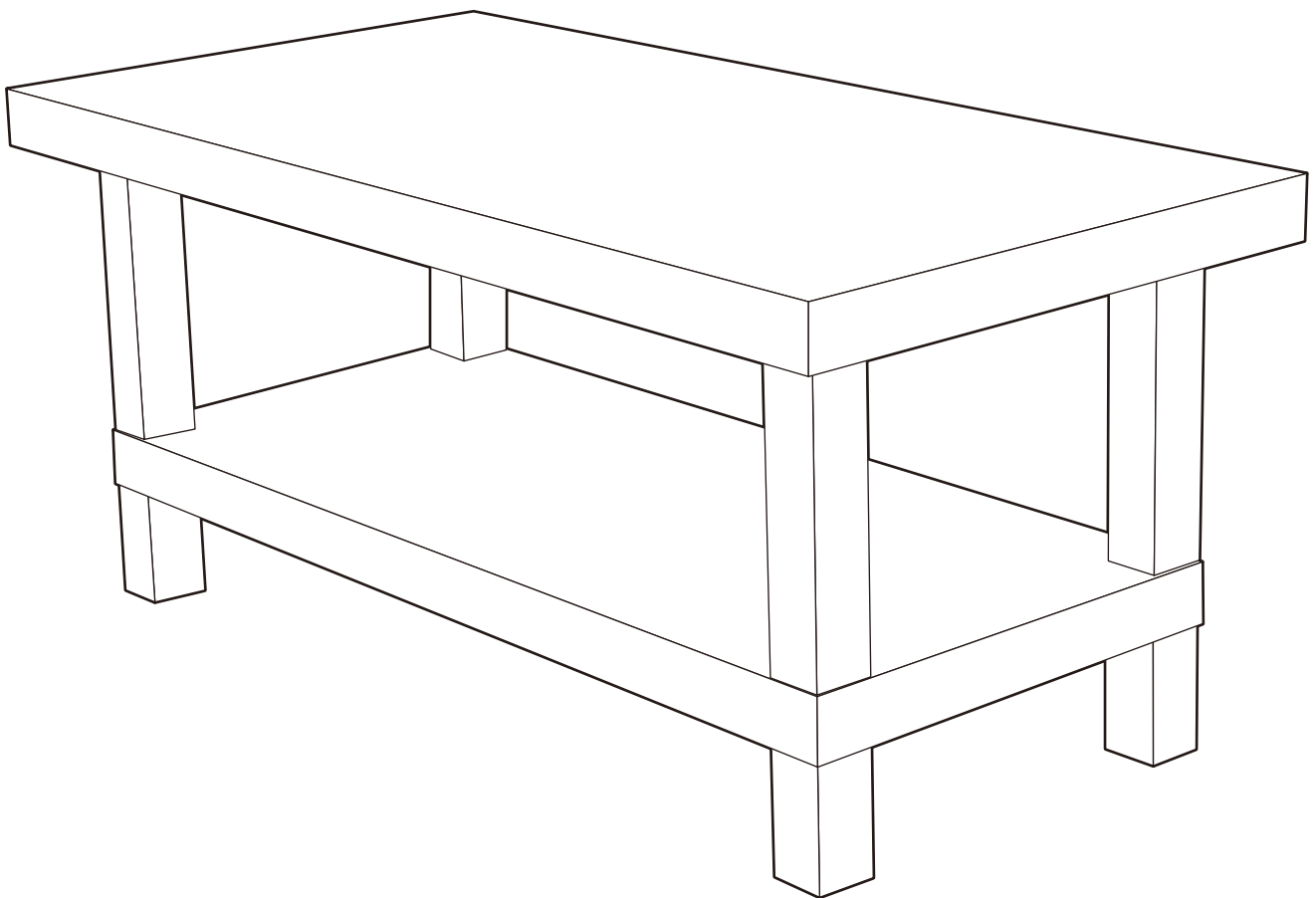


Stratford - Chunky Coffee Table

Assembly Instructions - Please keep for future reference

609/1707

H O
M E
BY ARGOS



Dimensions

Width - 100cm

Depth - 50cm

Height - 45.5cm

Important - Please read these instructions fully before starting assembly

If you need help or have damaged or missing parts, call the Customer Helpline: 0345 6400800



Safety and care advice

Important - Please read these instructions fully before starting assembly

- Check you have all the components and tools listed on pages 2 and 3.
- Remove all fittings from the plastic bags and separate them into their groups.
- Keep children and animals away from the work area, small parts could choke if swallowed.
- Make sure you have enough space to layout the parts before starting.
- Do not stand or put weight on the panels, this could cause damage.
- Assemble the unit as close to its final position (in the same room) as possible.

- Assemble on a soft level surface to avoid damaging the unit or your floor.
- Note: Only apply the glue once you are sure of the assembly.
- The wall plugs supplied are suitable for solid walls only. It is important that the correct type of fixing is used for your wall, seek professional advice if in doubt.
- Parts of the assembly will be easier with 2 people.
- If using power tools, please follow the safety instructions supplied with the tools.



- We do not recommend the use of power drill/ drivers for inserting screws, as this could damage the unit. Only use hand screwdrivers.
- Warning: Before drilling, check the wall for hidden pipes and cables.
- Dispose of all packaging carefully and responsibly.
- Warning: The unit weighs approximately 16 kgs. Please lift with care.

Glue safety - Take care when using glue, please follow the advice below

Skin contact: Remove contamination by washing with soap and water. This procedure should also be followed prior to eating and drinking.

Eye contact: Rinse immediately with clean water for 15 minutes and seek medical advice.

If swallowed: Seek medical advice immediately. If possible show product information or label to the medical advisor.

Care and maintenance

• Only clean using a damp cloth and mild detergent, do not use bleach or abrasive cleaners.

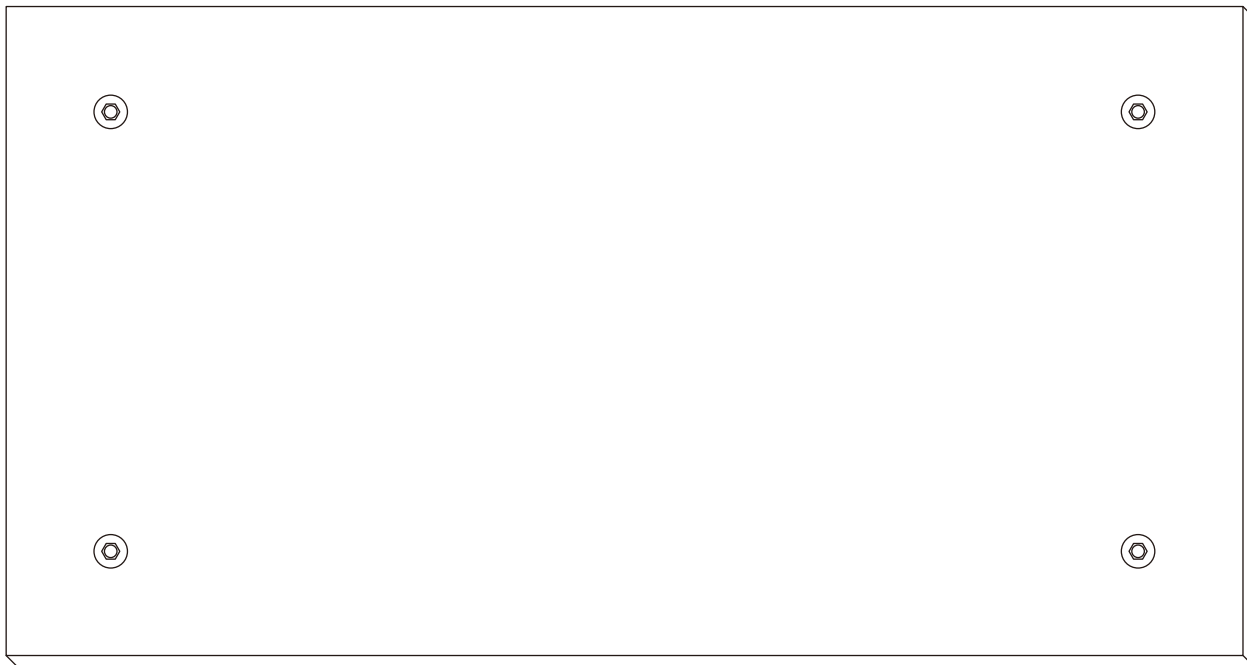
• From time to time check that there are no loose screws on this unit.

• This product should not be discarded with household waste. Take to your local authority waste disposal centre.

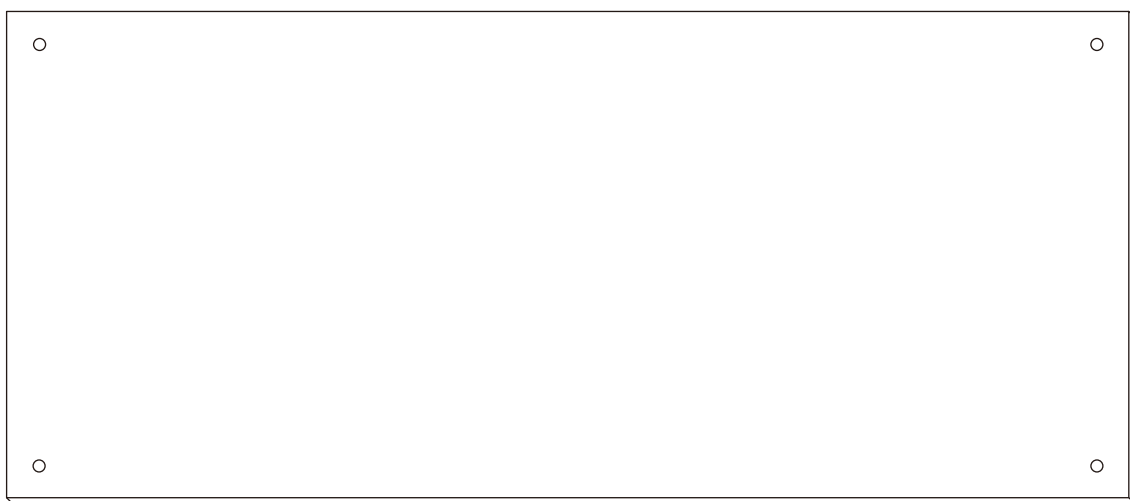
Note: if required the next page can be cut out and used as a reference throughout the assembly. Keep this page with these instructions for future reference.

Components - Panels

Please check you have all the panels listed below



1 Table Top (100 x 50cm)



2 Shelf (90 x 40cm)

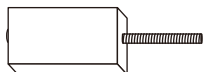
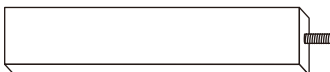


Components - Fittings

If you have damaged or missing components,
call the Customer Helpline: 0345 6400800

Please check you have all the fittings listed below

Note: The quantities below are the correct amount to complete the assembly. In some cases more fittings may be supplied than are required.

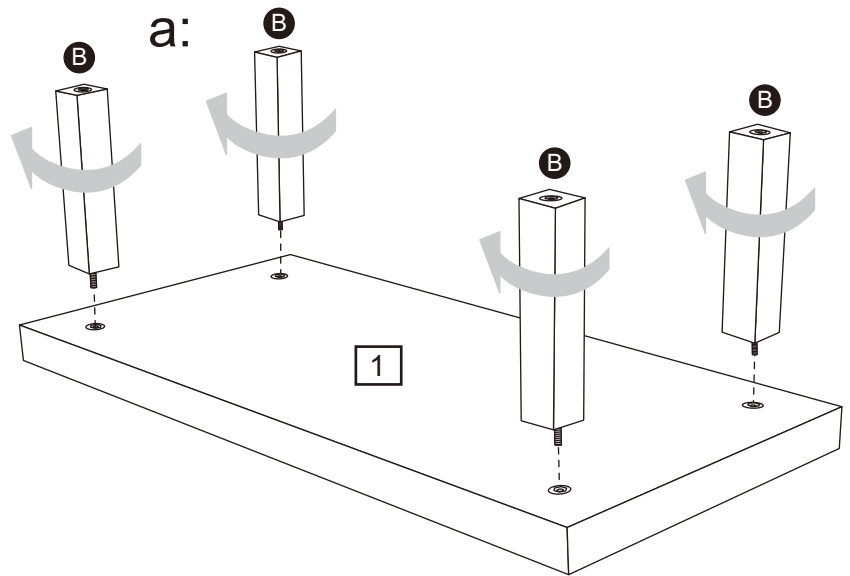
 <p>A Foot x 4</p>	 <p>B Leg x 4</p>	
--	---	--

Assembly Instructions

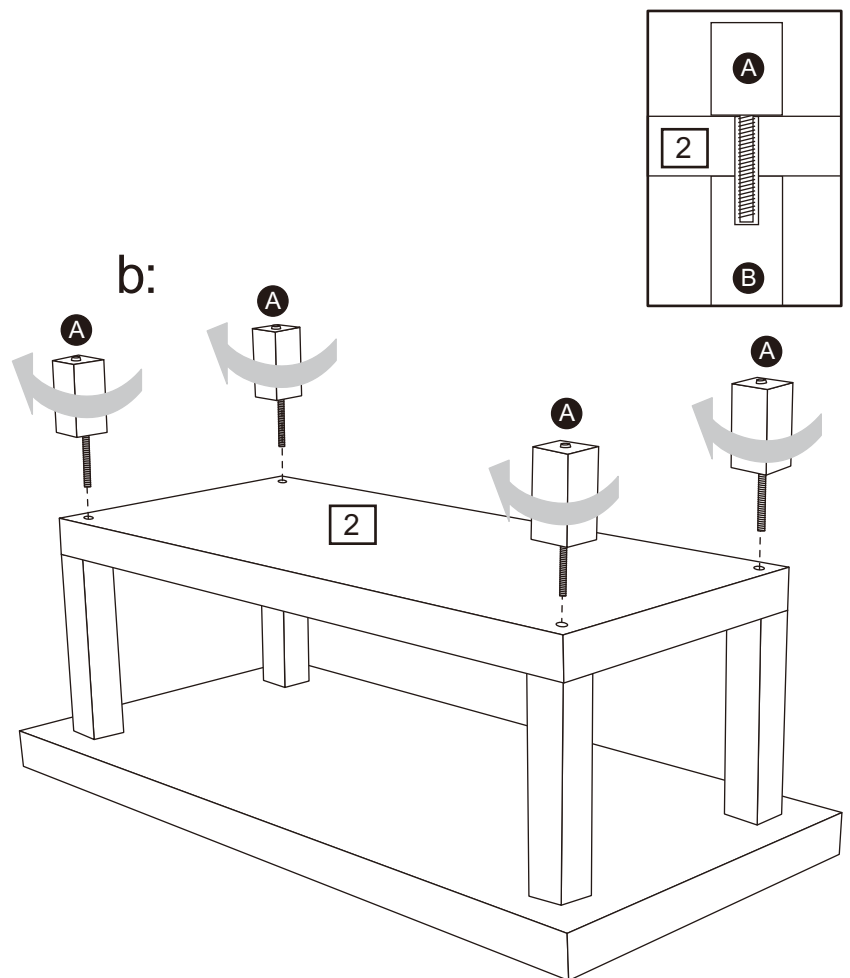
Step 1

Fitting the Shelf

a: Screw in Legs **B** into Table Top **1**.



b: Fit Shelf **2** onto the unit, then screw in Feet **A**.



Assembly Instructions

Step 2

Finishing the Unit

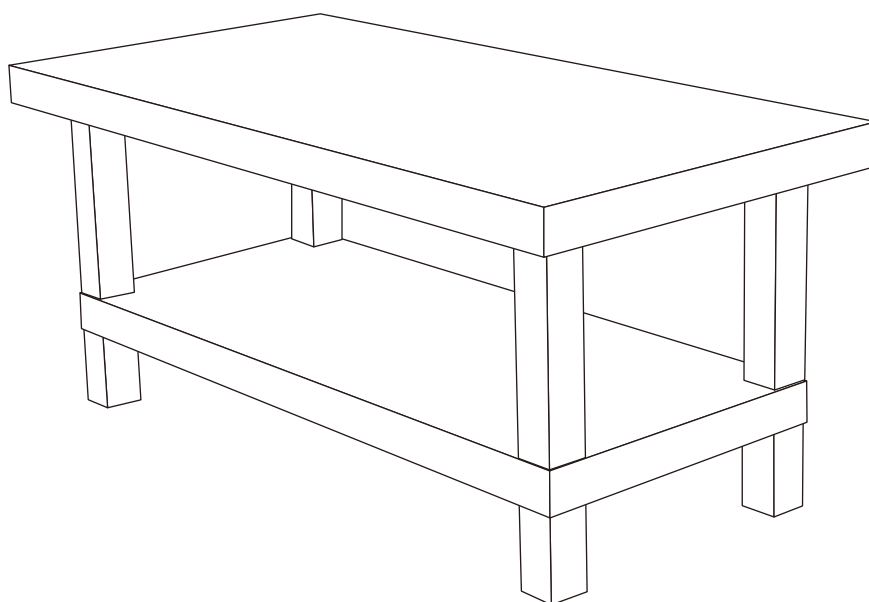
NOTE: It would be useful to ask someone to help you at this stage.

a: Turn the unit upright and place in the desired location.

NOTE: Before use make sure the unit is secure.

The assembly is now complete.

a:



If you need help or have damaged or missing parts, call the Customer Helpline: 0345 6400800