

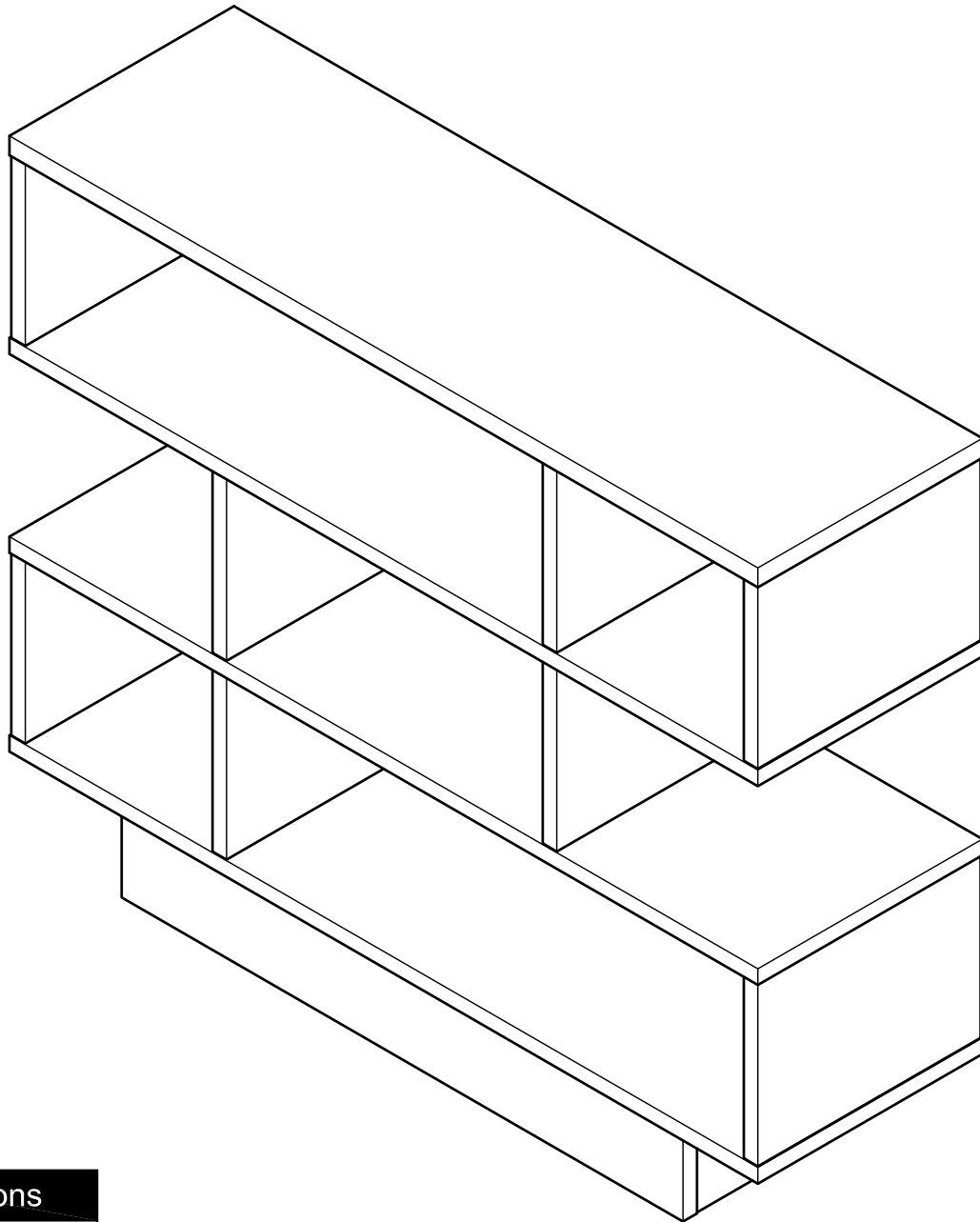
# Cube Storage

Assembly Instructions - Please keep for future reference

609/1460

609/1972

609/5693



## Dimensions

Width - 80cm  
Depth - 24cm  
Height - 67.3cm

**Important** - Please read these instructions fully before starting assembly

If you need help or have damaged or missing parts, call the **Customer Helpline: 08456 400800**



# Safety and Care Advice

## Important - Please read these instructions fully before starting assembly

- Check you have all the components and tools listed on page 2 and 3.
- Remove all fittings from the plastic bags and separate them into their groups.
- Keep children and animals away from the work area, small parts could choke if swallowed.
- Make sure you have enough space to layout the parts before starting.

- Do not stand or put weight on the panels during assembly, this could cause damage.
- Assemble the item as close to its final position (in the same room) as possible.
- Assemble on a soft level surface to avoid damaging the unit or your floor.
- Parts of the assembly will be easier with 2 people.



- We do not recommend the use of power drill/driver **for inserting screws**, as this could damage the unit. Only use hand screwdrivers.
- Dispose of all packaging carefully and responsibly.

## Glue safety - Take care when using glue, please follow the advice below

**Skin contact:** Remove contamination by washing with soap and water. This procedure should also be followed prior to eating and drinking.

**Eye contact:** Rinse immediately with clean water for 15 minutes and seek medical advice.

**If swallowed:** Seek medical advice immediately. If possible show product information or label to the medical advisor.

## Care and maintenance

- Only clean using a damp cloth and mild detergent, do not use bleach or abrasive cleaners.
- From time to time check that there are no loose screws on this unit.
- This product should not be discarded with household waste. Take to your local authority waste disposal centre.

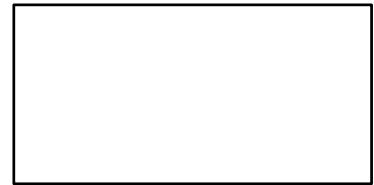
**Note:** If required the next page can be cut out and used as reference throughout the assembly. Keep this page with these instructions for future reference.

# Components - Panels

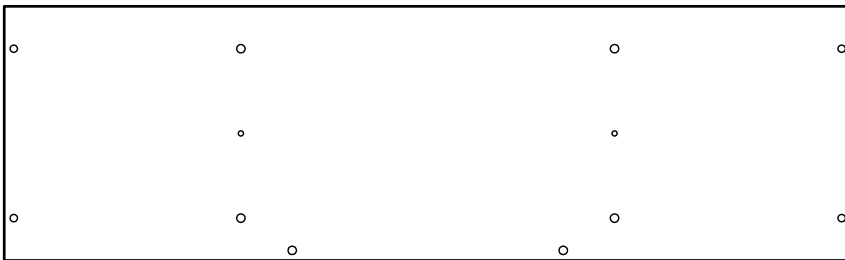
Please check you have all the panels listed below



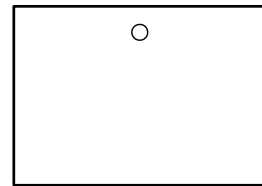
**1** Top (80 x 24cm)



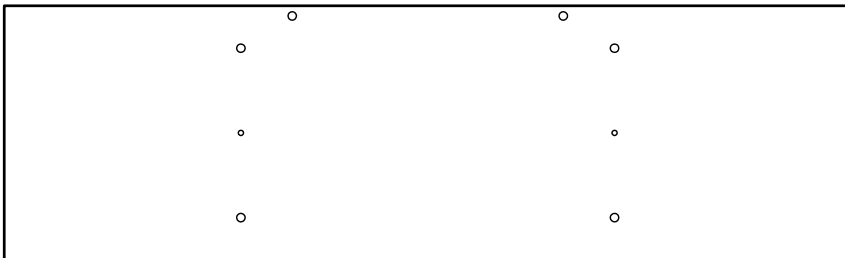
**5** Back (33.8 x 16.9cm)



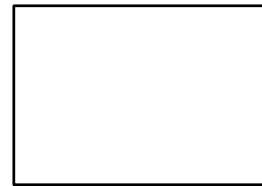
**2** Top shelf (80 x 24cm)



**6** Side x 4 (23.8 x 16.9cm)



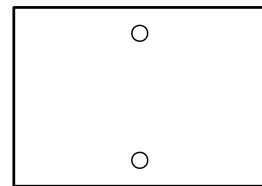
**3** Bottom shelf (80 x 24cm)



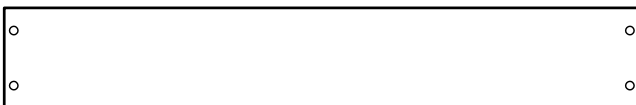
**7** Support x 2 (23.8 x 16.9cm)



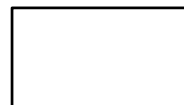
**4** Bottom (80 x 24cm)



**8** Support x 2 (23.8 x 16.9cm)



**9** Front x 2 (60 x 9.5cm)



**10** Side support x 2 (17 x 9.5cm)


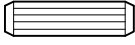


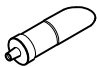
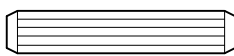



# Components - Fittings

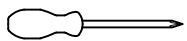
If you have damaged or missing components, call the **Customer Helpline: 08456 400800**

Please check you have all the fittings listed below

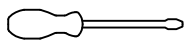
**Note:** The quantities below are the correct amount to complete the assembly. In some cases more fittings may be supplied than are required.

<b>A</b>  57mm Screw x 8	<b>B</b>  30mm Dowel x 36	<b>C</b>  Locking pin x 8
<b>D</b>  Locking nut x 8	<b>E</b>  Glue x 1	<b>F</b>  50mm Dowel x 4
<b>G</b>  Plastic plug x 8		

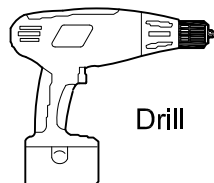
## Tools required



Phillips screwdriver  
(medium & large)

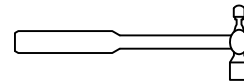


Flatblade screwdriver  
(medium)



Drill

7mm Masonry drill bit  
(for use with wall plug)



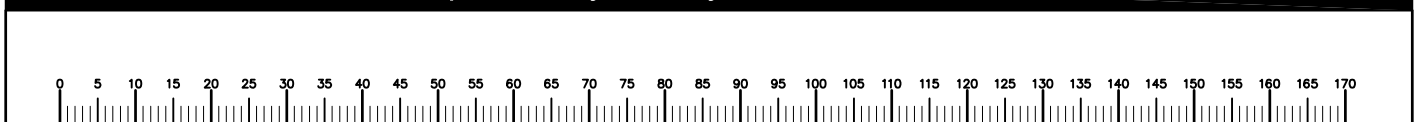
Small  
hammer



Ruler/tape  
measure

Eye protection  
(when using a  
hammer or glue)

Ruler - Use this ruler to help correctly identify the screws



# Assembly Instructions

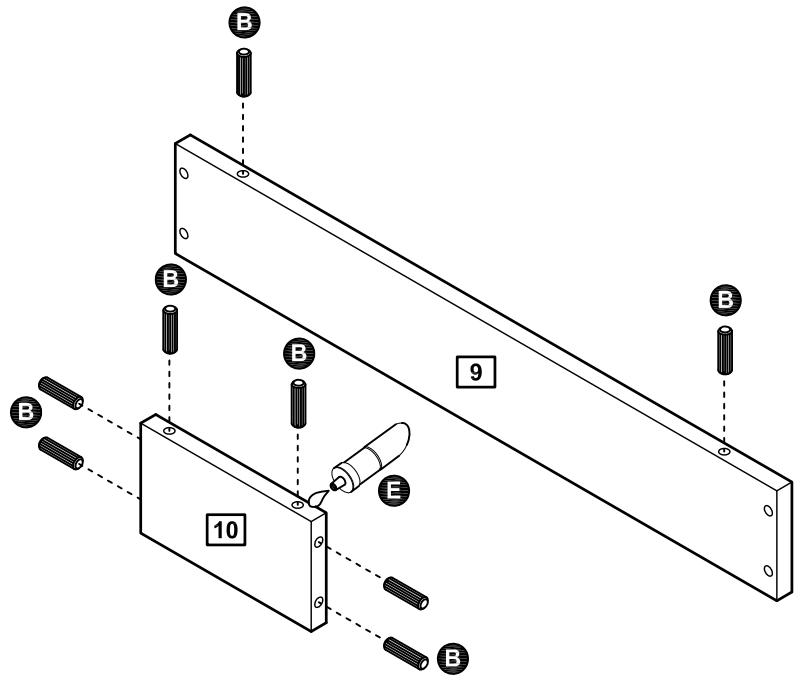
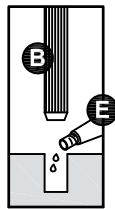
## Step 1

### Fitting the base

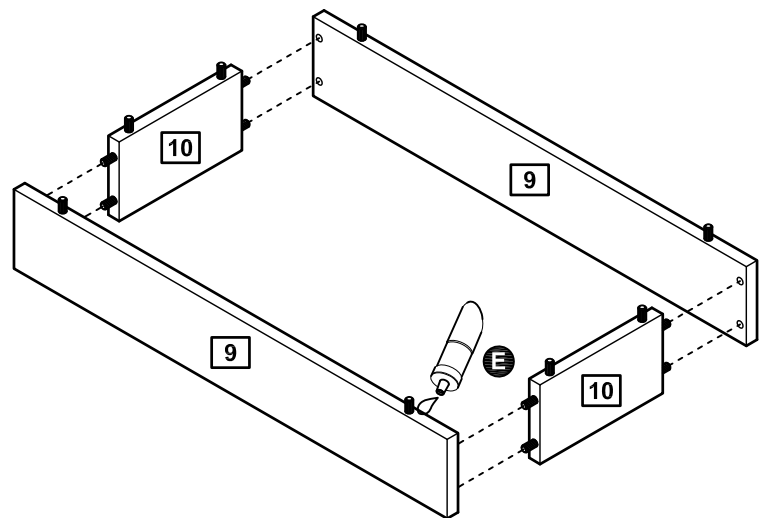


**Caution:** Always check the assembly method is correct before applying glue.

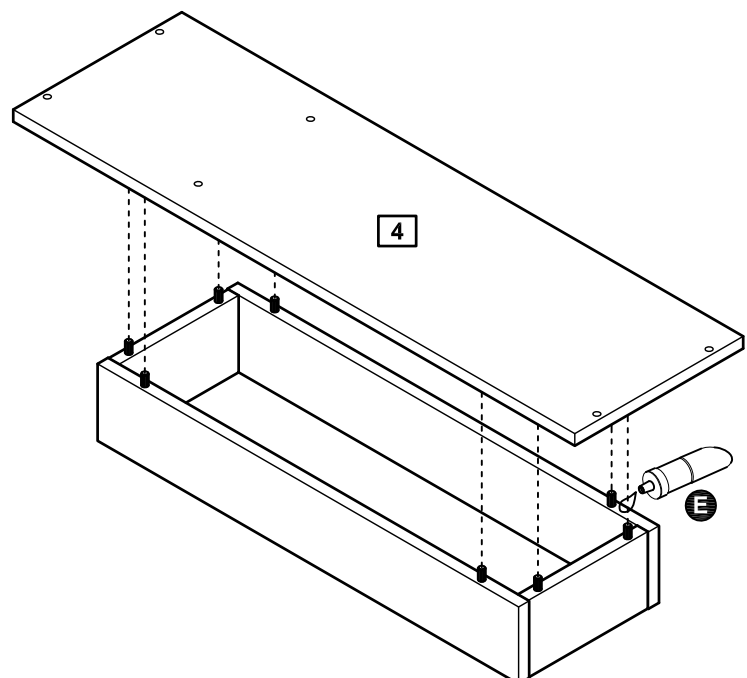
**a:** Place a small amount of glue **E** into the dowel holes. Insert dowels **B** into side supports **10** and front panels **9**.



**b:** Place a small amount of glue **E** into the dowel holes. Attach the front panels **9** onto the side supports **10**.



**c:** Place a small amount of glue **E** into the dowel holes. Attach the bottom panel **4** onto the unit.



# Assembly Instructions

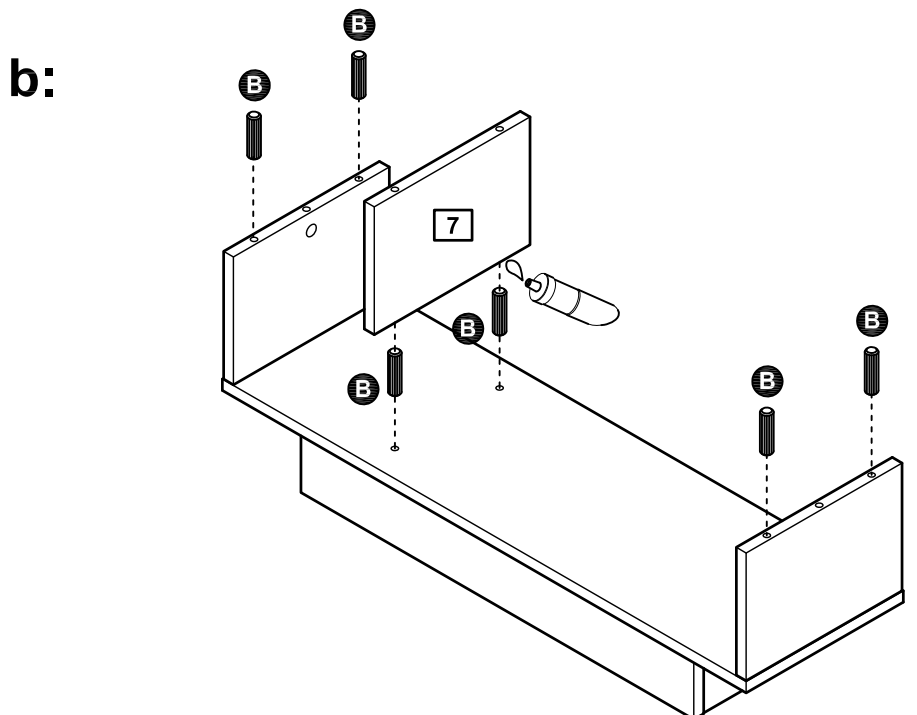
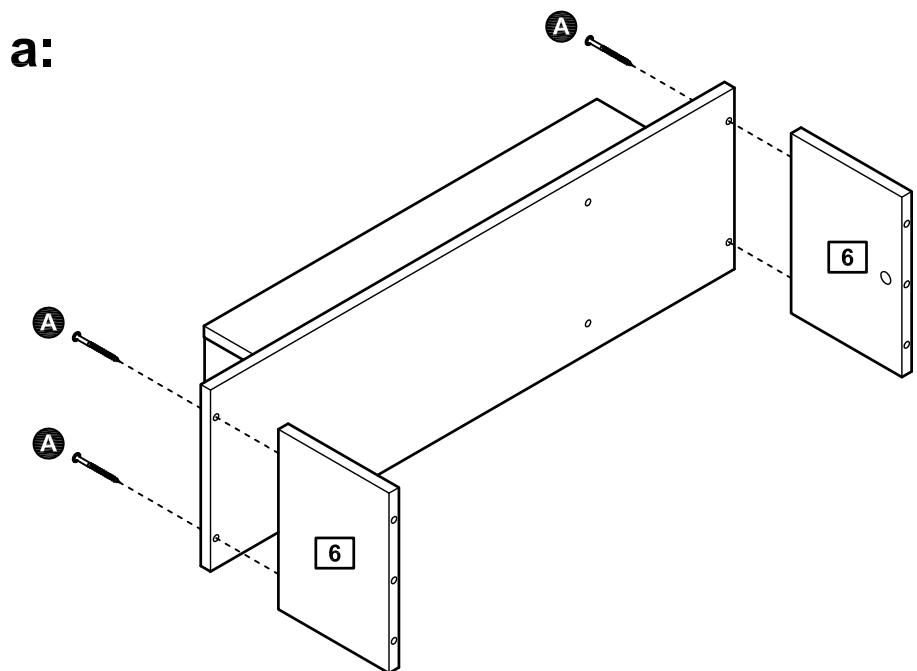
## Step 2

### Fitting the bottom panel

**a:** Use screws **A** to fix side panels **6** onto the unit.

**b:** Place a small amount of glue **E** into the dowel holes.

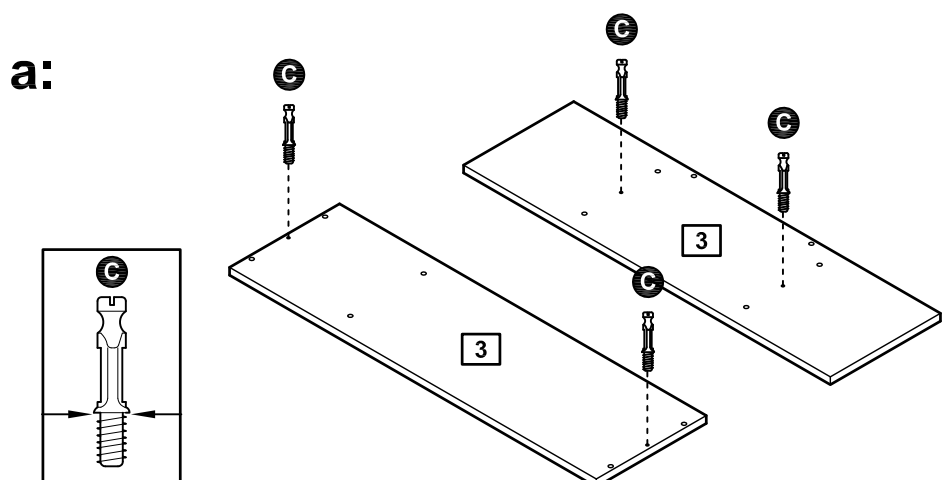
Insert dowels **B** into side panels **6** and support **7**, then attach support **7** onto the unit.



## Step 3

### Fitting the bottom shelf

**a:** Screw locking pins **C** into bottom shelf **3**. Insert locking pins as far as shown.



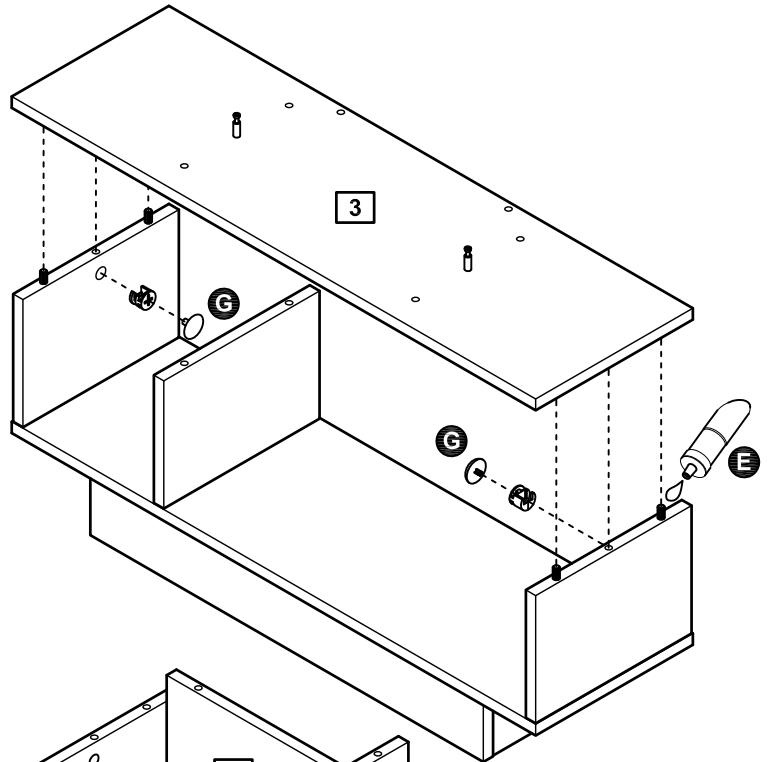
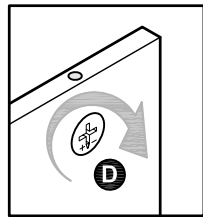
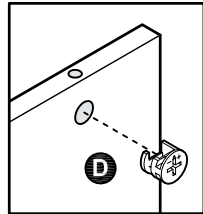
# Assembly Instructions

## Step 3 - continued

**b:** Place a small amount of glue **E** into the dowel holes. Attach bottom shelf **3** onto the unit.

Use a screwdriver to turn locking nuts **D** clockwise to lock, then use plastic plugs **G** to cover the locking nuts.

**b:**

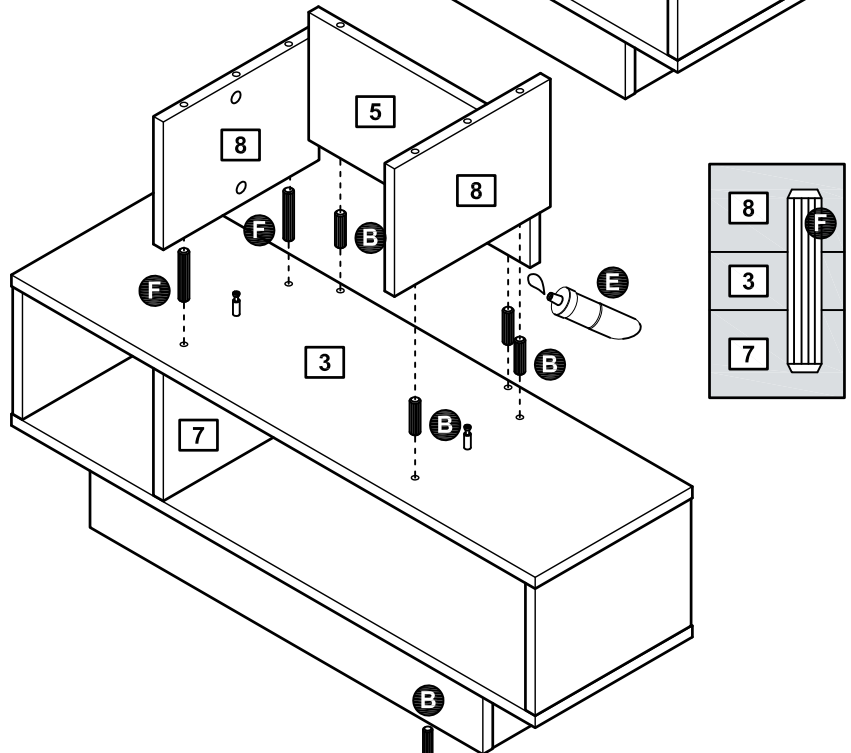


**b:** Place a small amount of glue **E** into the dowel holes.

Insert dowels **F** into left support **8**, then attach left support **8** onto bottom shelf **3**.

Insert dowels **B** into right support **8** and back panel **5**, then attach right support **8** and back panel **5** onto the unit.

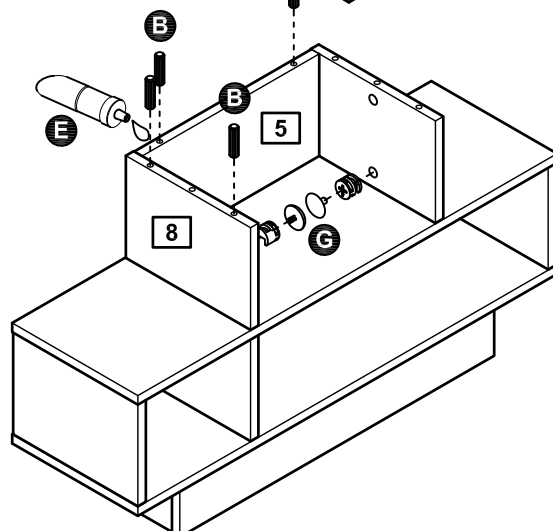
**c:**



**b:** Place a small amount of glue **E** into the dowel holes. Insert dowels **B** into support **8** and back panel **5**.

Use a screwdriver to turn locking nuts **D** clockwise to lock, then use plastic plugs **G** to cover the locking nuts.

**d:**



# Assembly Instructions

## Step 4

### Fitting the top shelf

**a:** Screw locking pins **C** into top shelf **2**. Insert locking pins as far as shown.

Use screws **A** to fix side panels **6** onto top shelf **2**.

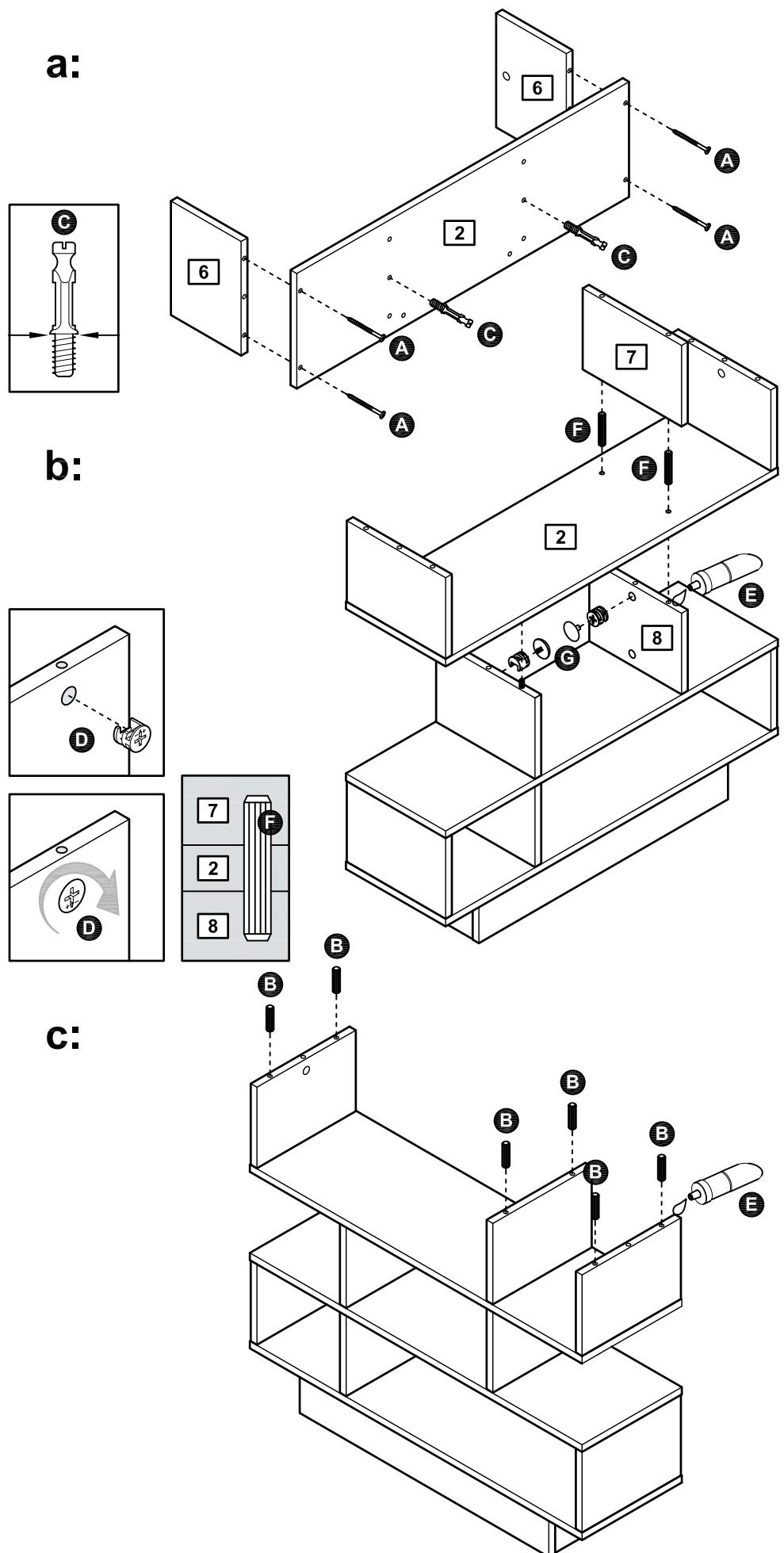
**b:** Place a small amount of glue **E** into the dowel holes.

Attach top shelf **2** onto the unit.

Insert dowels **F** into support **7**, then attach support **7** onto the unit.

Use a screwdriver to turn locking nuts **D** clockwise to lock, then use plastic plugs **G** to cover the locking nuts.

**c:** Place a small amount of glue **E** into the dowel holes. Insert dowels **B** into the unit.





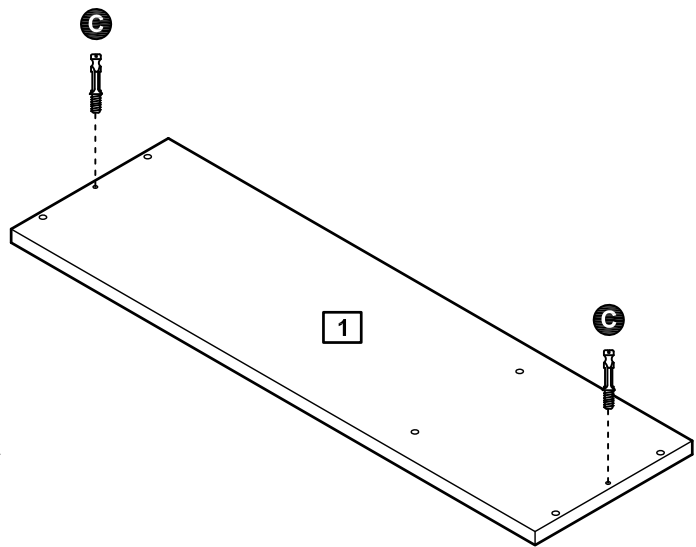
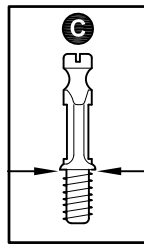
# Assembly Instructions

## Step 5

### Fitting the top panel

**a:** Screw locking pins **B** into top panel **1**. Insert locking pins as far as shown.

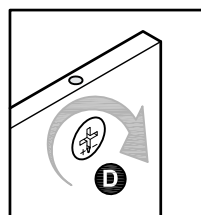
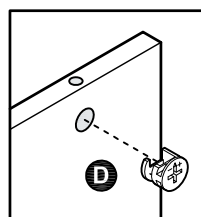
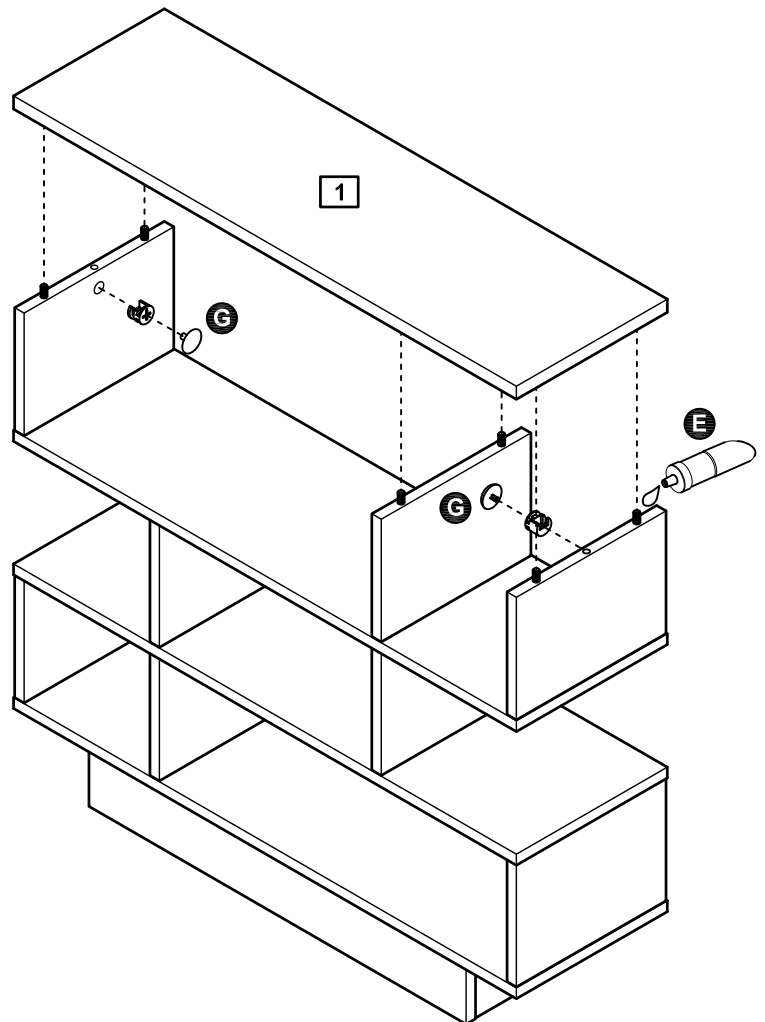
**a:**



**b:** Place a small amount of glue **E** into the dowel holes. Attach top panel **1** onto the unit.

**b:**

Use a screwdriver to turn locking nuts **D** clockwise to lock, then use plastic plugs **G** to cover locking nuts.



**Assembly is complete.**

If you need help or have damaged or missing parts, call the **Customer Helpline: 08456 400800**