

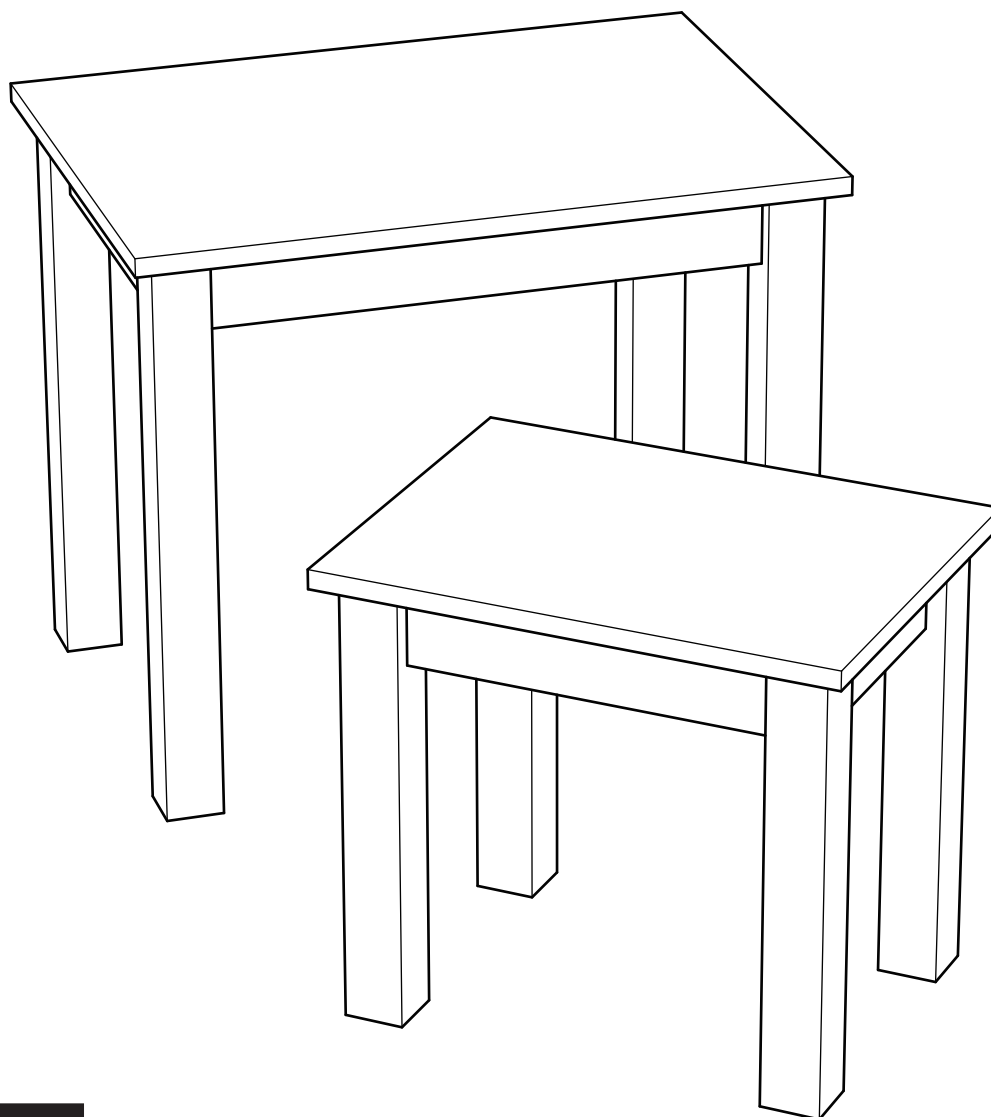
Chloe Nest of Tables

Assembly Instructions - Please keep for future reference

609/1439

609/1893

609/6300



Dimensions

Large / Small

Width - 56/40cm

Depth - 40/30cm

Height - 47/35.5cm

Important - Please read these instructions fully before starting assembly

If you need help or have damaged or missing parts, call the Customer Helpline: 08456 400800



Safety and Care Advice

Important - Please read these instructions fully before starting assembly

- Check you have all the components and tools listed on pages 2 and 3.
- Remove all fittings from the plastic bags and separate them into their groups.
- Keep children and animals away from the work area, small parts could choke if swallowed.
- Make sure you have enough space to layout the parts before starting.
- Do not use this item if any components are missing or damaged.

- Do not stand on the product, this could cause damage.
- Assemble the item as close to its final position (in the same room) as possible.
- Assemble on a soft level surface to avoid damaging the unit or your floor.
- Parts of the assembly will be easier with 2 people.



- We do not recommend the use of power drill/drivers **for inserting screws**, as this could damage the unit. Only use hand screwdrivers.
- Dispose of all packaging carefully and responsibly.

Care and maintenance

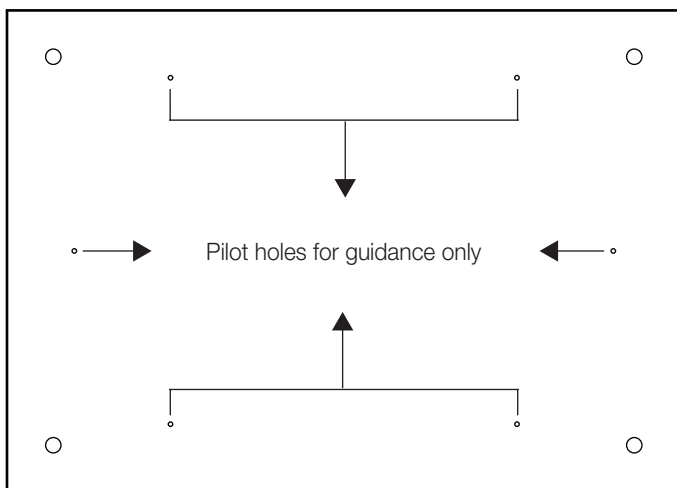
- Only clean using a damp cloth and mild detergent, do not use bleach or abrasive cleaners.
- From time to time check that there are no loose screws on this unit.
- This product should not be discarded with household waste. Take to your local authority waste disposal centre.

Note: if required the next page can be cut out and used as reference throughout the assembly. Keep this page with these instructions for future reference.

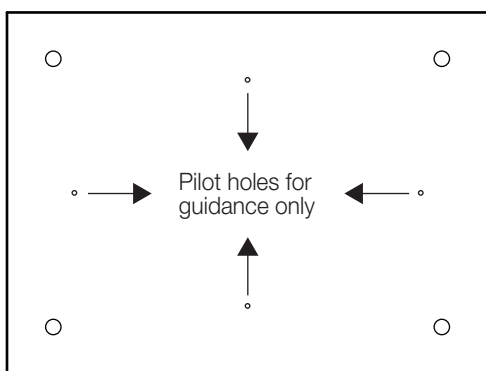
Components - Panels

If you have damaged or missing components, call the **Customer Helpline: 08456 400800**

Please check you have all the panels listed below



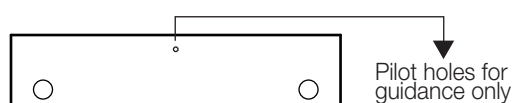
1 Large table top (56 x 40cm)



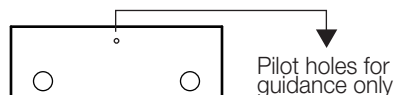
2 Small table top (40 x 30cm)



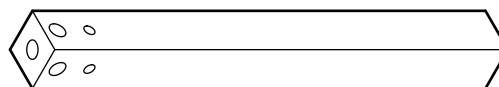
3 Large support x 2 (43.8 x 6cm)



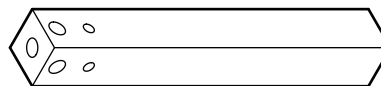
4 Medium support x 4 (27.8 x 6cm)



5 Small support x 2 (17.8 x 6cm)



6 Large leg x 4 (45.5 x 4.5cm)








7 Small leg x 4 (34 x 4.5cm)

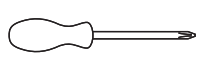
Components - Fittings

Please check you have all the fittings listed below

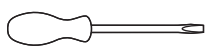
Note: The quantities below are the correct amount to complete the assembly. in some cases more fittings may be supplied than are required.

<p>A </p> <p>40mm Dowel x 24</p>	<p>B </p> <p>43mm Locking pin x 16</p>	<p>C </p> <p>14mm Screw x 20</p>
<p>D </p> <p>15mm Locking nut x 16</p>	<p>E </p> <p>Plastic support x 10</p>	

Tools required



Phillips screwdriver
(medium & large)



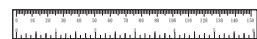
Flatblade screwdriver
(medium)



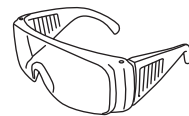
Bradawl
(or sharp point)



Small
hammer

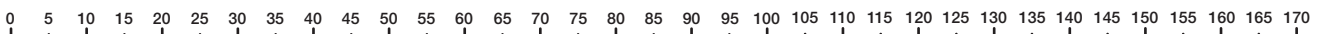


Ruler/tape
measure



Eye protection
(when using a
hammer or glue)

Ruler - Use this ruler to help correctly identify the screws



Assembly Instructions

Step 1

Fitting the legs

Note: It would be useful to ask someone to help you at this stage.

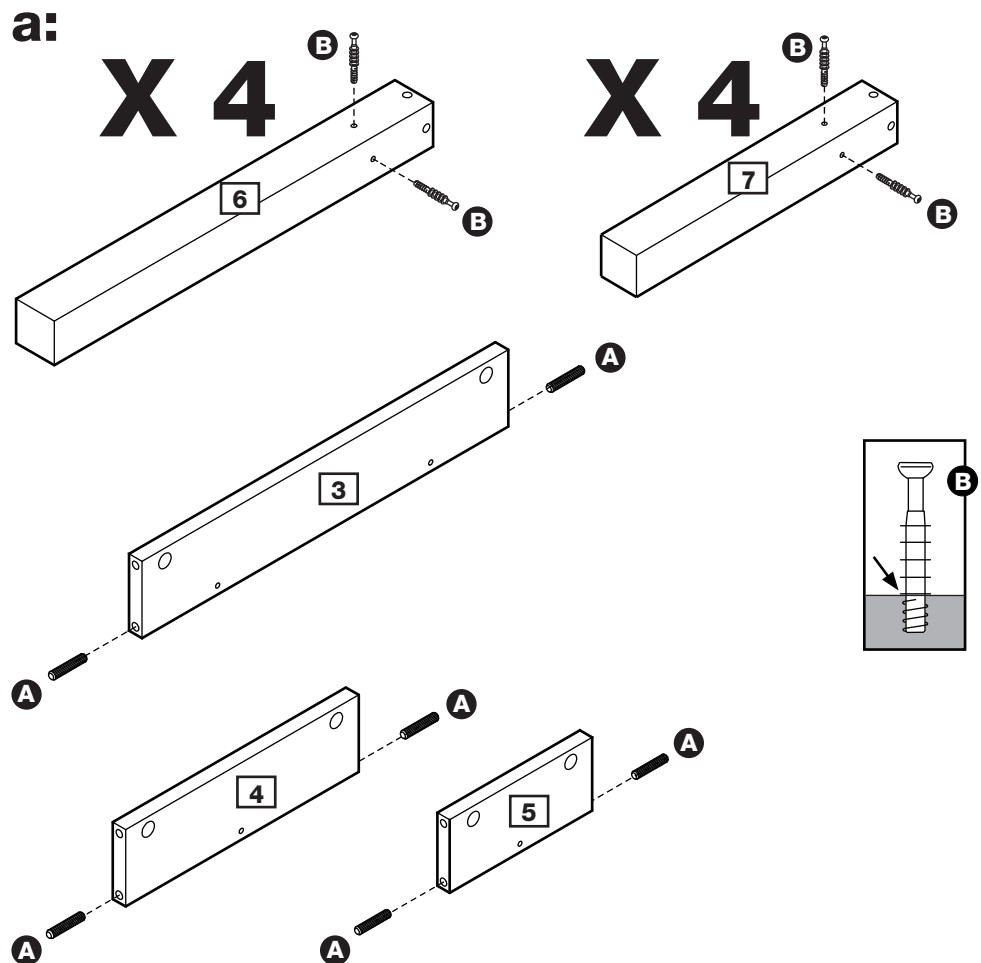
a: Screw Locking pins **B** into the Large and Small legs **6** and **7**.

Note: Insert Locking pins as far as shown.

Do not over tighten.

Insert Dowels **A** into the Large and Medium, Small supports **3** and **4**, **5**.

Note: The screw holes on the legs and support should align.

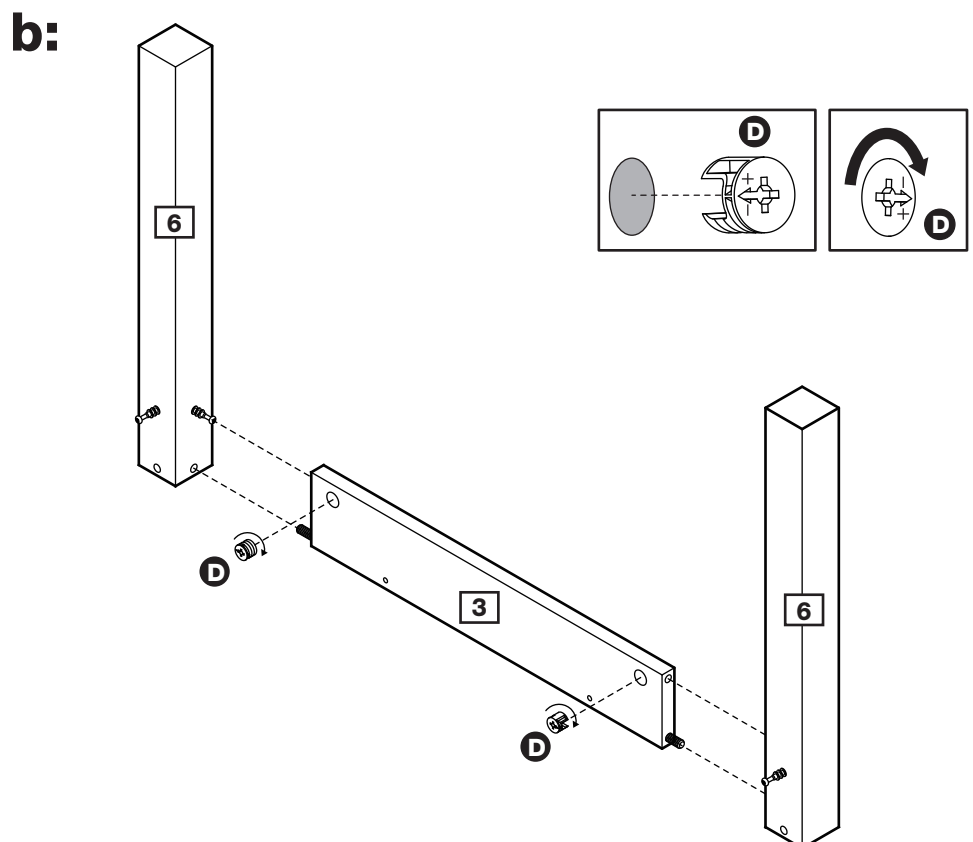


b: Use Locking nuts **D** to fix the Large legs **6** onto the Large support **3**.

Use a screwdriver to turn Locking nuts **D** clockwise to lock.

Note: For small table, use Locking nuts **D** to fix the Small legs **7** onto the Medium supports **4**.

Note: Follow the same method as in fig. **b** to assemble the other legs.



Continued on next page.

Assembly Instructions

Step 1 - continued

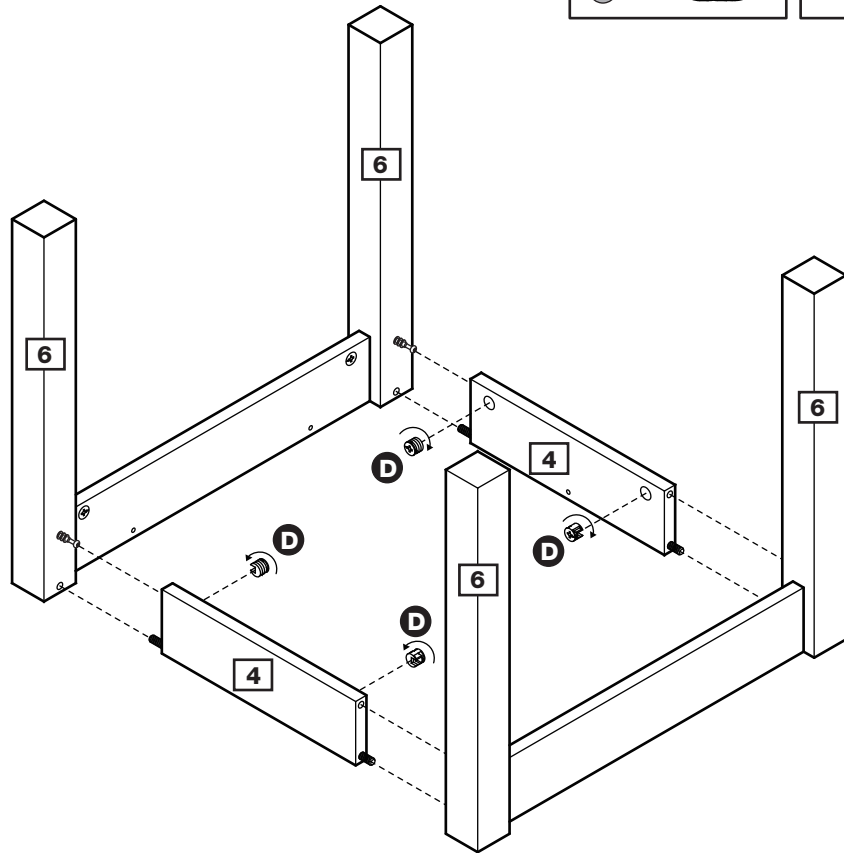
c: Use Locking nuts **D** to fix the Large legs **6** onto the Medium supports **4**.

Use a screwdriver to turn Locking nuts **D** clockwise to lock.

Note: For small table, replace **6** with Small legs **7**, replace **4** with Small supports **5**.

Note: The screw holes on the medium supports or small supports should face inward.

c:



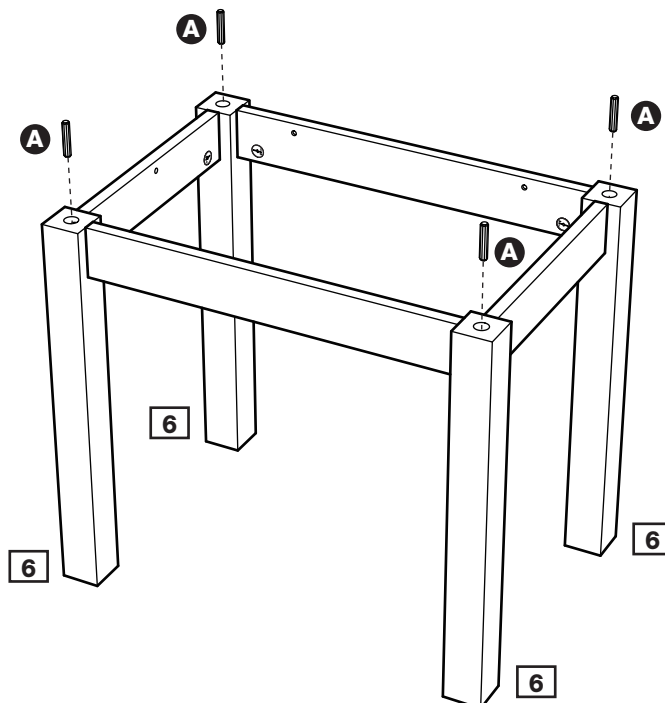
Step 2

Fitting the table top

a: Insert Dowels **A** fully into the Large legs **6**.

Note: For small table, repeat with Small legs **7**.

a:



Continued on next page.

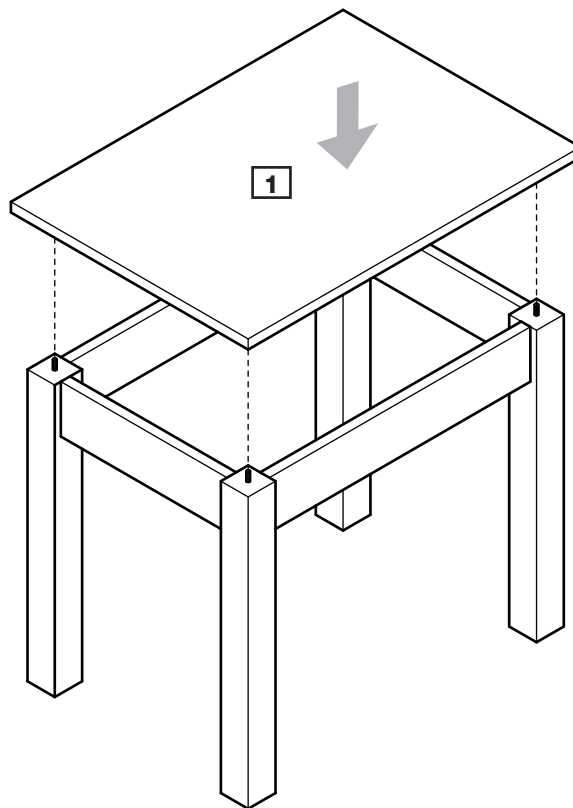
Assembly Instructions

Step 2 - continued

b: Carefully locate the Large table top **1** onto the unit.

Note: For small table, replace **1** with Small table top **2**.

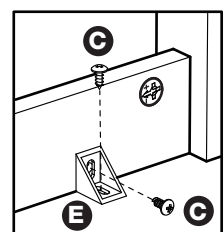
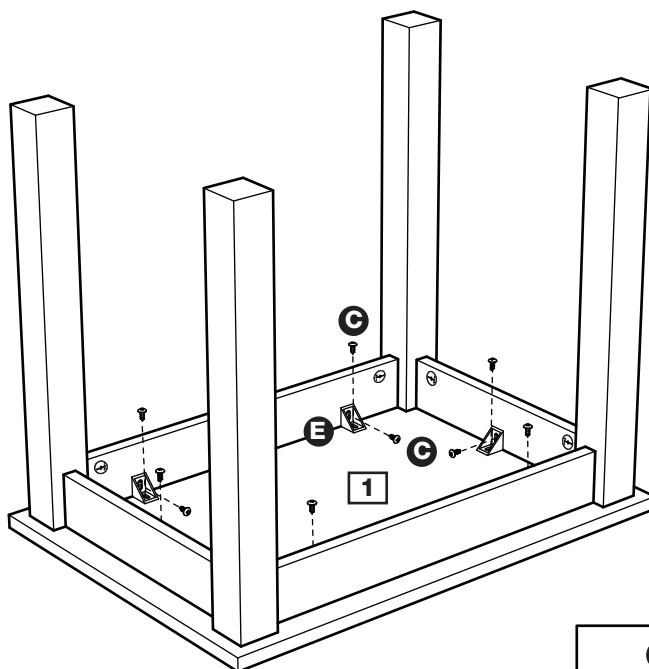
b:



c: Use Screws **C** to fix Plastic supports **E** onto the Large table top **1** and unit.

Note: For small table, replace **1** with Small table top **2**.

c:



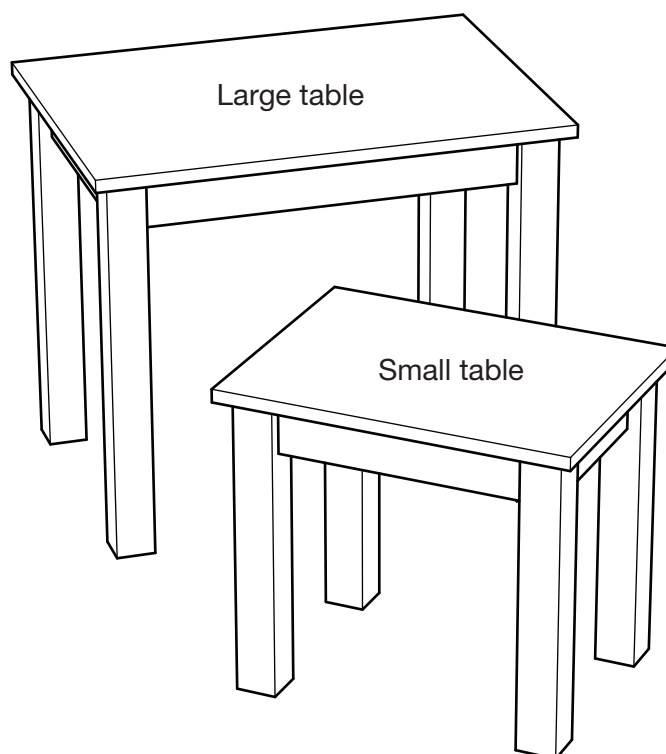
Assembly Instructions

Step 3

Finishing the unit

Note: It would be useful to ask someone to help you at this stage.

Carefully turn the table upright.



Assembly is complete.

If you need help or have damaged or missing parts, call the **Customer Helpline: 08456 400800**