

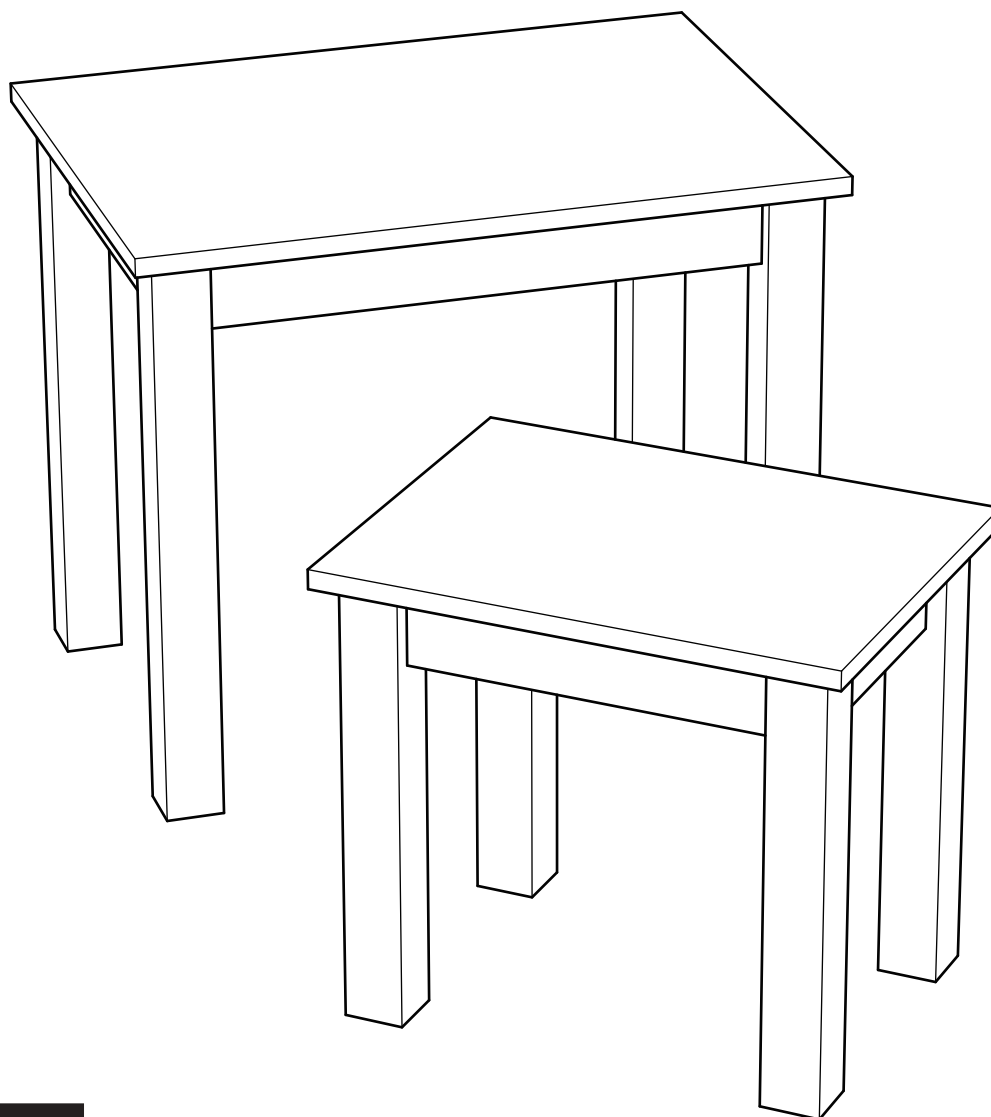
Nest Of Tables

Assembly Instructions - Please keep for future reference

609/1439

609/1893

609/3688



Dimensions

Large / Small

Width - 56/40cm

Depth - 40/30cm

Height - 47/35.5cm

Important - Please read these instructions fully before starting assembly

If you need help or have damaged or missing parts, call the Customer Helpline: 08456 400800



Safety and Care Advice

Important - Please read these instructions fully before starting assembly

- Check you have all the components and tools listed on pages 2 and 3.
- Remove all fittings from the plastic bags and separate them into their groups.
- Keep children and animals away from the work area, small parts could choke if swallowed.
- Make sure you have enough space to layout the parts before starting.

- Do not stand on the product, this could cause damage.
- Assemble the item as close to its final position (in the same room) as possible.
- Assemble on a soft level surface to avoid damaging the unit or your floor.
- Parts of the assembly will be easier with 2 people.



- We do not recommend the use of power drill/drivers **for inserting screws**, as this could damage the unit. Only use hand screwdrivers.
- Dispose of all packaging carefully and responsibly.
- **Note:** Only apply the glue once you are sure of the assembly.

Glue safety - Take care when using glue, please follow the advice below

Skin contact: Remove contamination by washing with soap and water. This procedure should also be followed prior to eating and drinking.

Eye contact: Rinse immediately with clean water for 15 minutes and seek medical advice.

If swallowed: Seek medical advice immediately.

Care and maintenance

• Only clean using a damp cloth and mild detergent, do not use bleach or abrasive cleaners.

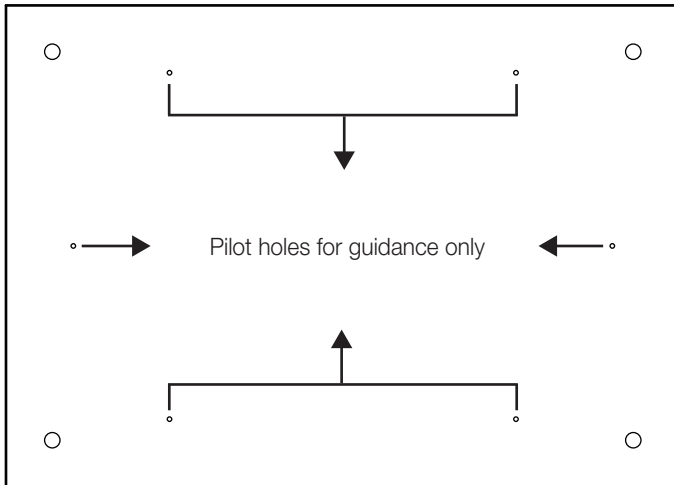
• From time to time check that there are no loose screws on this unit.

• This product should not be discarded with household waste. Take to your local authority waste disposal centre.

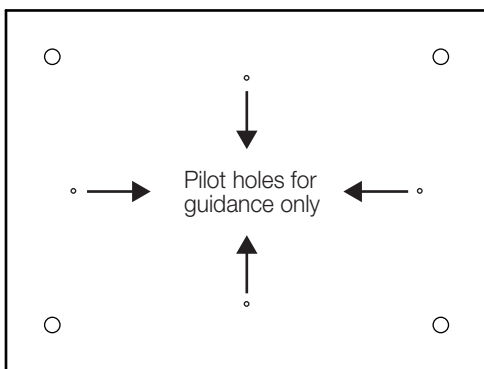
Components - Panels

If you have damaged or missing components, call the **Customer Helpline: 08456 400800**

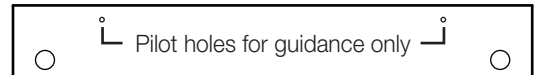
Please check you have all the panels listed below



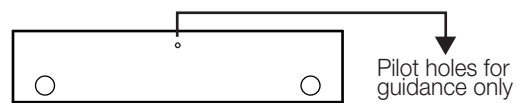
1 Large table top (56 x 40cm)



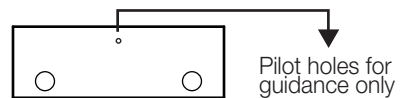
2 Small table top (40 x 30cm)



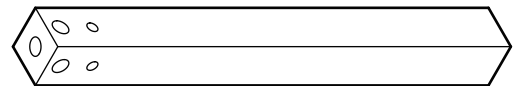
3 Large support x 2 (43.8 x 6cm)



4 Medium support x 4 (27.8 x 6cm)



5 Small support x 2 (17.8 x 6cm)



6 Large leg x 4 (45.5 x 4.5cm)


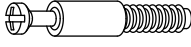




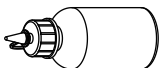


7 Small leg x 4 (34 x 4.5cm)

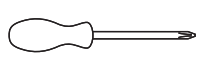
Components - Fittings

Please check you have all the fittings listed below

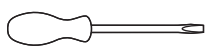
Note: The quantities below are the correct amount to complete the assembly. in some cases more fittings may be supplied than are required.

<p>A </p> <p>Dowel x 24</p>	<p>B </p> <p>Locking pin x 16</p>	<p>C </p> <p>14mm Screw x 20</p>
<p>D </p> <p>15mm Locking nut x 16</p>	<p>E </p> <p>Plastic support x 10</p>	<p>F </p> <p>Foot x 8</p>
<p>G </p> <p>Glue x 1</p>		

Tools required



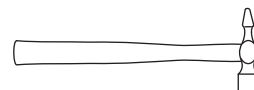
Phillips screwdriver
(medium & large)



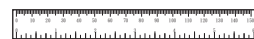
Flatblade screwdriver
(medium)



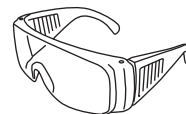
Bradawl
(or sharp point)



Small
hammer

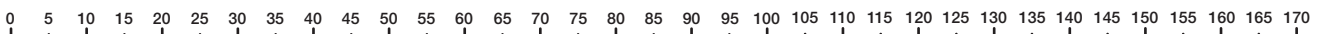


Ruler/tape
measure



Eye protection
(when using a
hammer or glue)

Ruler - Use this ruler to help correctly identify the screws



Assembly Instructions

Step 1

Fitting the legs

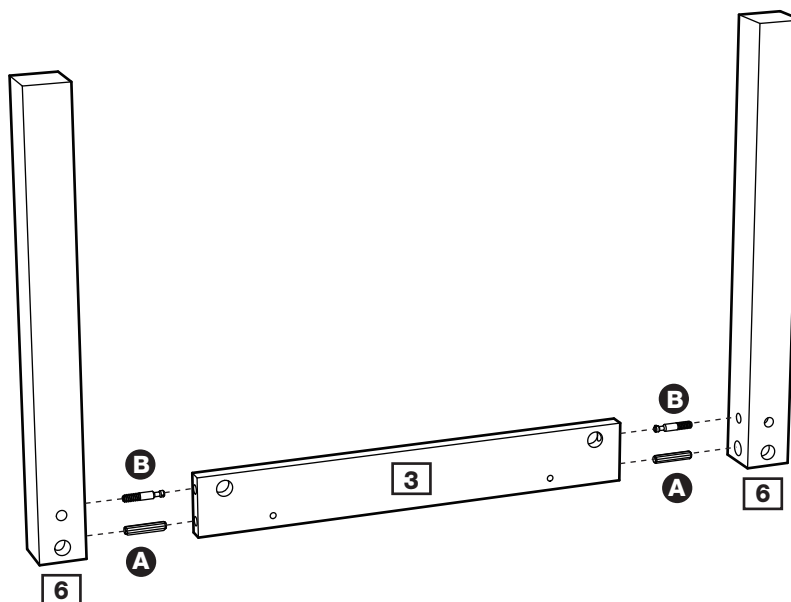
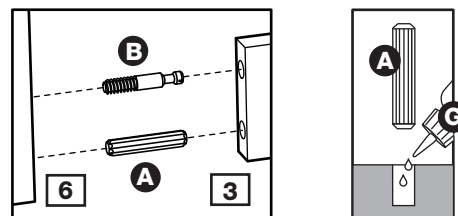
Note: It would be useful to ask someone to help you at this stage.

a: Place a small amount of Glue **G** into the dowel holes. Screw in Locking pins **B** and insert Dowels **A** into the Large legs **6** and Large support **3**.

Note: For small table, replace **6** with Small legs **7**, replace **3** with Medium support **4**.

Note: The screw holes on the legs and support should align.

a:



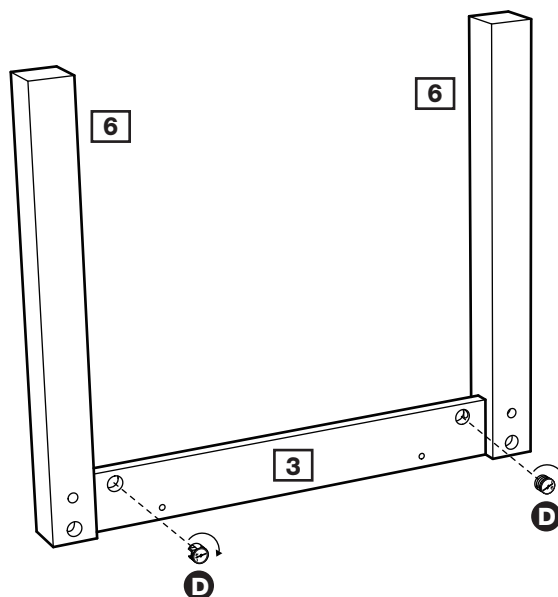
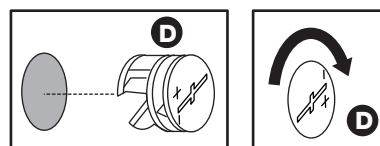
b: Use Locking nuts **D** to fix the Large legs **6** onto the Large support **3**.

Use a screwdriver to turn Locking nuts **D** clockwise to lock.

Note: For small table, use Locking nuts **D** to fix the Small legs **7** onto the Medium supports **4**.

Note: Follow the same method as in fig. **a** and **b** to assembly the other legs.

b:



Continued on next page.

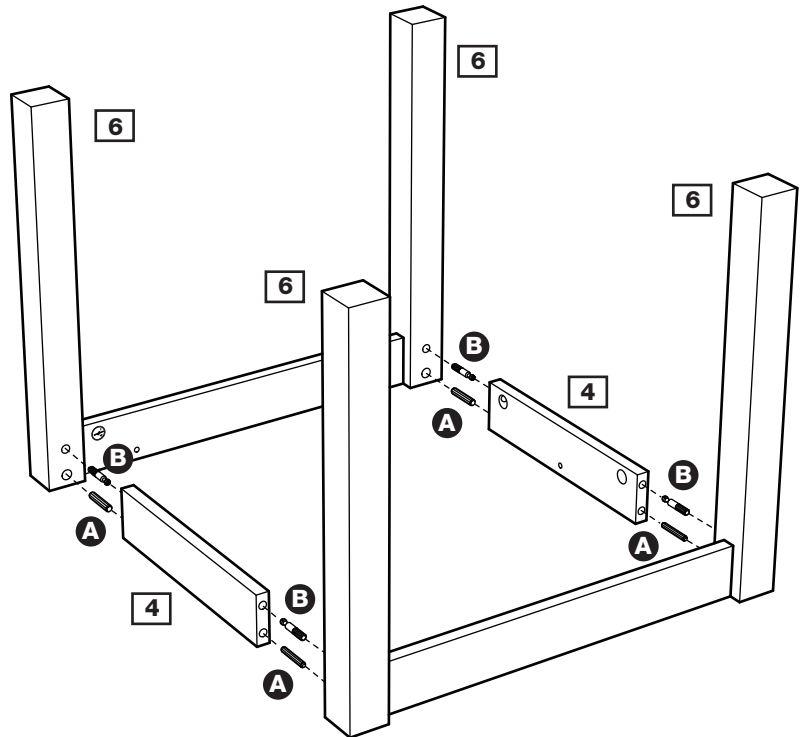
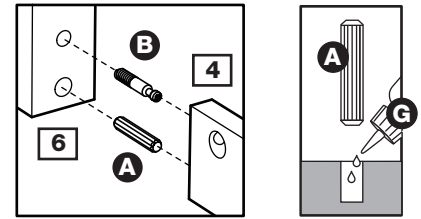
Assembly Instructions

Step 1 - continued

c: Place a small amount of Glue **G** into the dowel holes. Screw in Locking pins **B** and insert Dowels **A** into the Large legs **6** and Medium supports **4**.

Note: For small table, replace **6** with Small legs **7**, replace **4** with Small supports **5**.

Note: The screw holes on the medium supports or small supports should face inward.

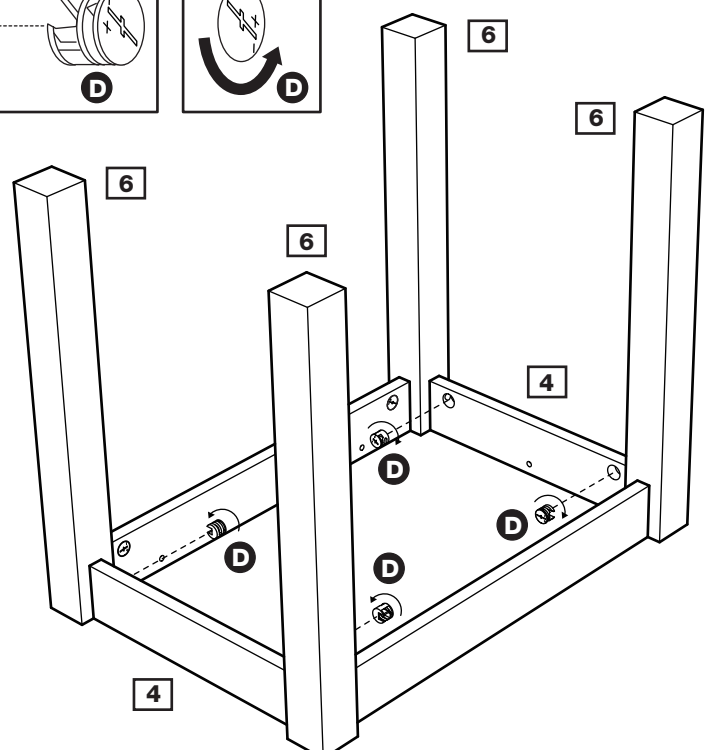
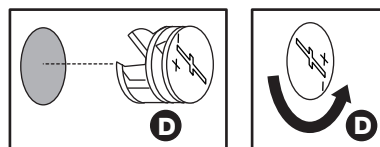


d: Use Locking nuts **D** to fix the Large legs **6** onto the Medium support **4**.

Use a screwdriver to turn Locking nuts **D** clockwise to lock.

Note: For small table, use Locking nuts **D** to fix the Small legs **7** onto the Small supports **5**.

d:



Assembly Instructions

Step 2

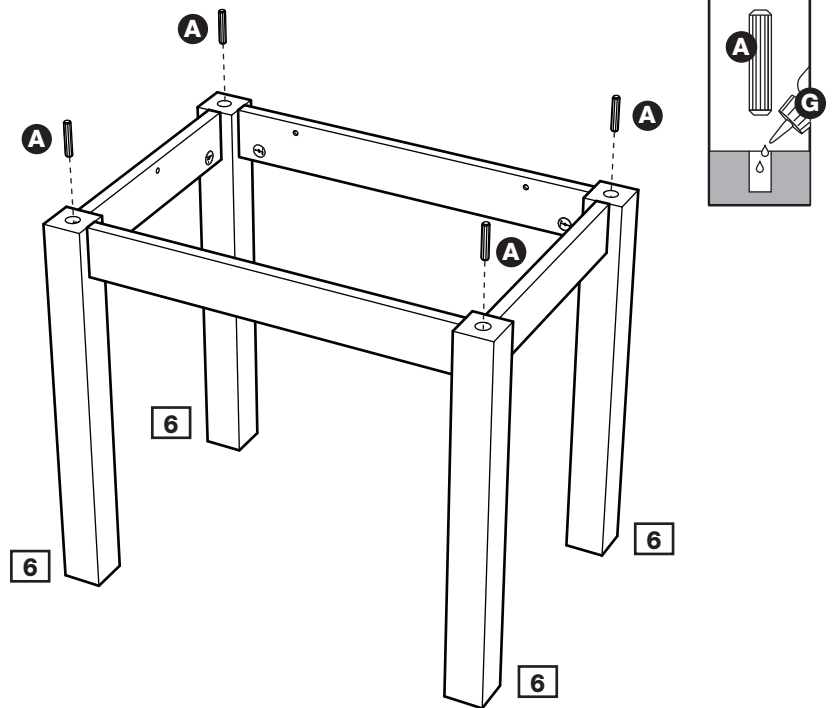
Fitting the table top

a: Place a small amount of Glue **G** into the dowel holes. Insert Dowels **A** fully into the Large legs **6**.

Note: Use a hammer to beat the dowels on appropriate deep of dowel holes.

Note: For small table, repeat with Small legs **7**.

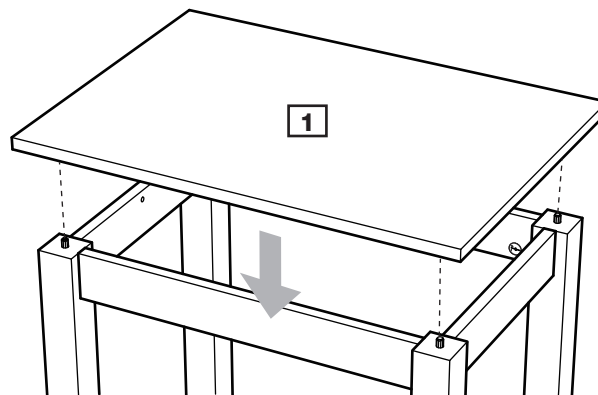
a:



b: Carefully locate the Large table top **1** onto the unit.

Note: For small table, replace **1** with Small table top **2**.

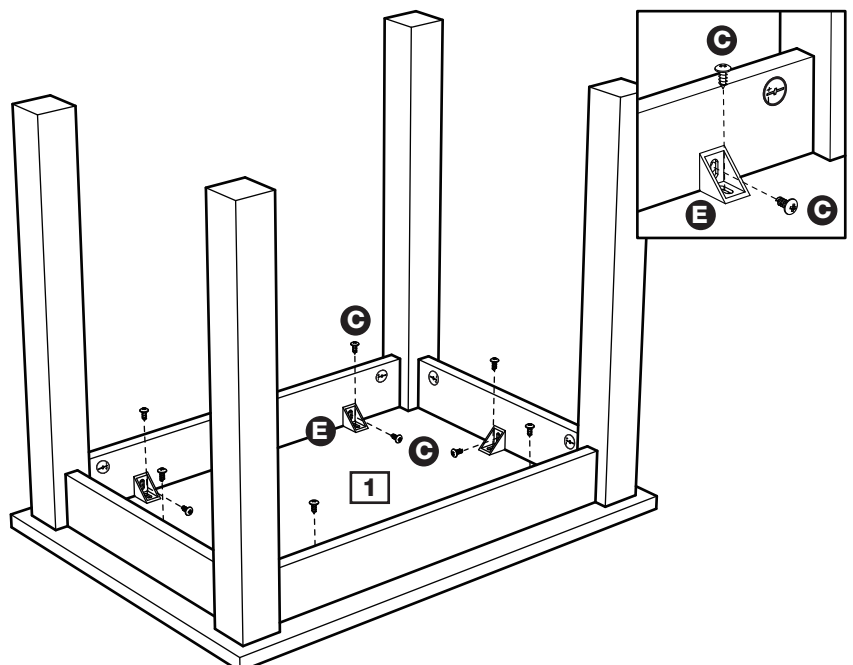
b:



c: Use Screws **C** to fix Plastic supports **E** onto the Large table top **1** and unit.

Note: For small table, replace **1** with Small table top **2**.

c:



Assembly Instructions

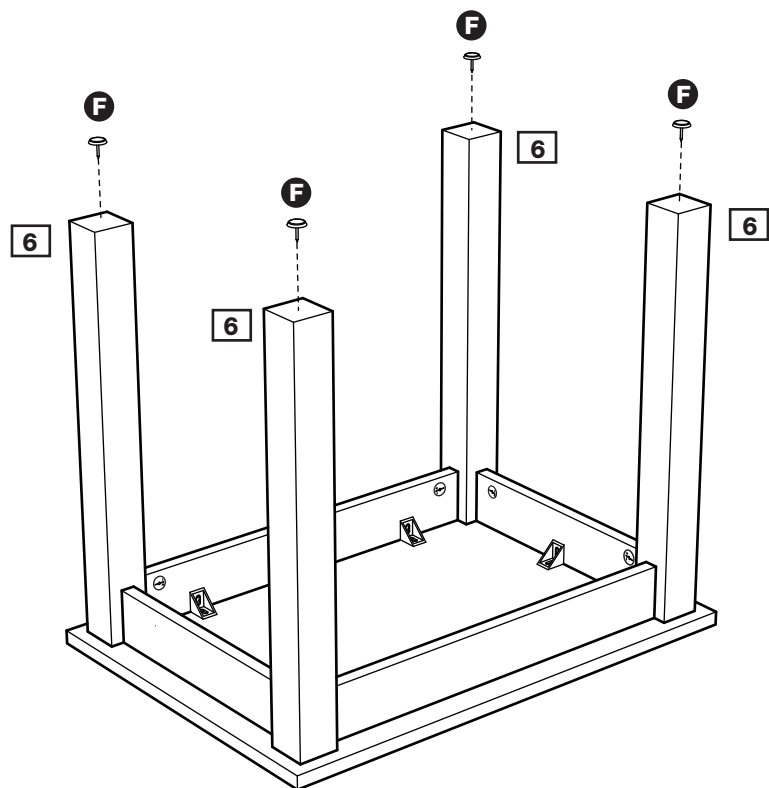
Step 3

Finishing the unit

a: Attach Foot **F** to the Large legs **6**.

Note: For small table, attach Foot **F** to the Small legs **7**.

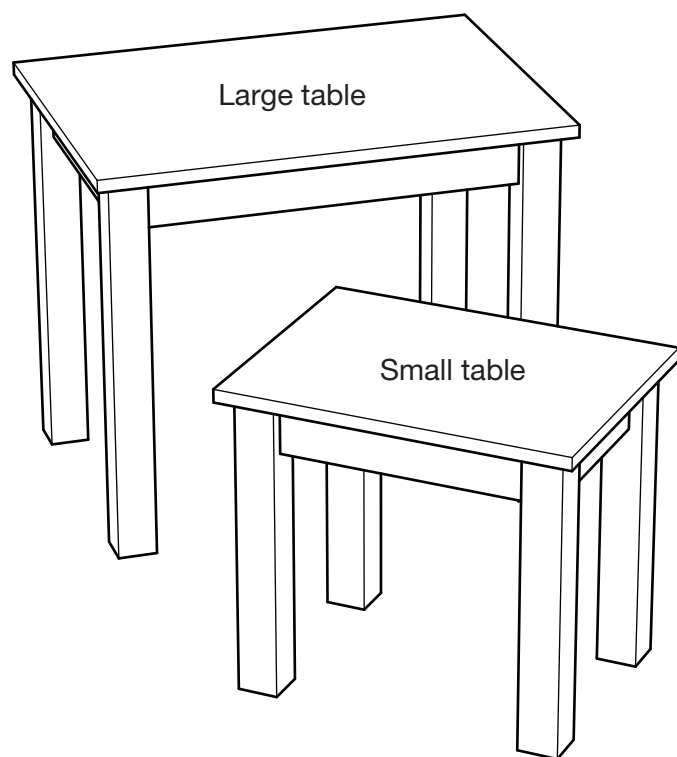
a:



b: Carefully turn the table upright.

Note: Before use allow the Glue to dry for 24 hours and make sure the unit is secure.

b:



Assembly is complete.

If you need help or have damaged or missing parts, call the **Customer Helpline: 08456 400800**