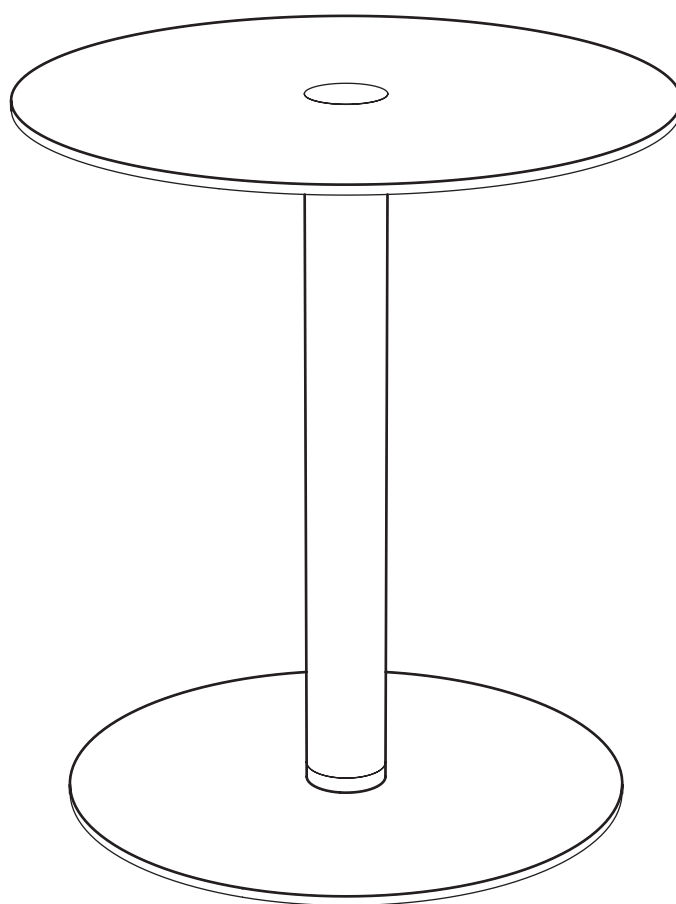


Glass Round Lamp Table

Assembly Instructions - Please keep for future reference

609/1415

hygena



Dimensions

Width - 40cm

Depth - 40cm

Height - 45.6cm

Important - Please read these instructions fully before starting assembly

If you need help or have damaged or missing parts, call the **Customer Helpline: 08456 400800**



Safety and Care Advice

Important - Please read these instructions fully before starting assembly

- Check you have all the components and tools listed on pages 2 and 3.
- Remove all fittings from the plastic bags and separate them into their groups.
- Keep children and animals away from the work area, small parts could choke if swallowed.
- Make sure you have enough space to layout the parts before starting.

- Do not stand on the panels, this could cause damage.
- Assemble the unit as close to its final position (in the same room) as possible.
- Assemble on a soft level surface to avoid damaging the unit or your floor.
- Parts of the assembly will be easier with 2 people.



- We do not recommend the use of power drill/ drivers **for inserting screws**, as this could damage the unit. Only use hand screwdrivers.
- Dispose of all packaging carefully and responsibly.
- **Warning:** The unit weighs approximately 3.9kgs. **Please lift with care.**

Keep these instructions for future reference

• This product complies with BSEN14749.

• Argos Ltd. MK9 2NW.

• If a glass component is chipped or broken, stop using the product and consult the manufacturer supplier.

Warning

• Do not place very hot or very cold items against or in close proximity to glass surfaces unless an adequately thick insulating material is used to prevent such items from coming into contact with the glass.

• Do not strike the glass with hard or pointed items.

• When cleaning glass panels use a damp cloth or leather with washing up liquid or soft soap if necessary; do not use washing powders or any other substances containing abrasives since these substances scratch glass.

Care and maintenance

• Only clean using a damp cloth and mild detergent, do not use bleach or abrasive cleaners.

• From time to time check that there are no loose screws on this unit.

• This product should not be discarded with household waste. Take to your local authority waste disposal centre.

• Assembly to be carried out by the competent adult only.

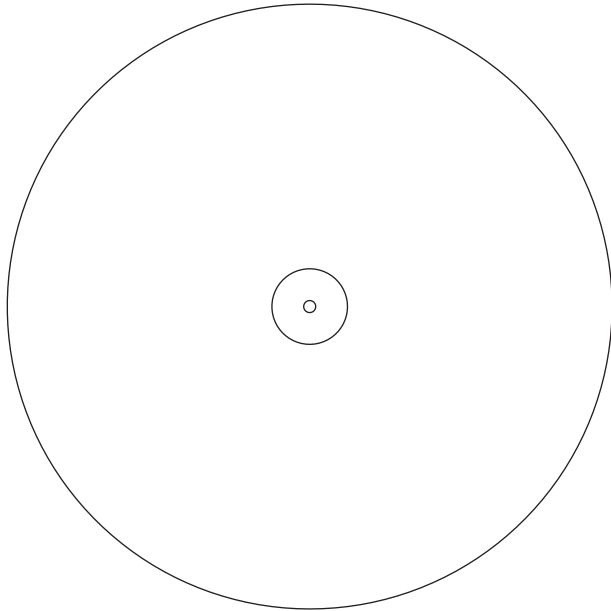
• During assembly children should be kept away from the product due to the potential risk of injury.

• Do not use this item if any components are missing or damaged.

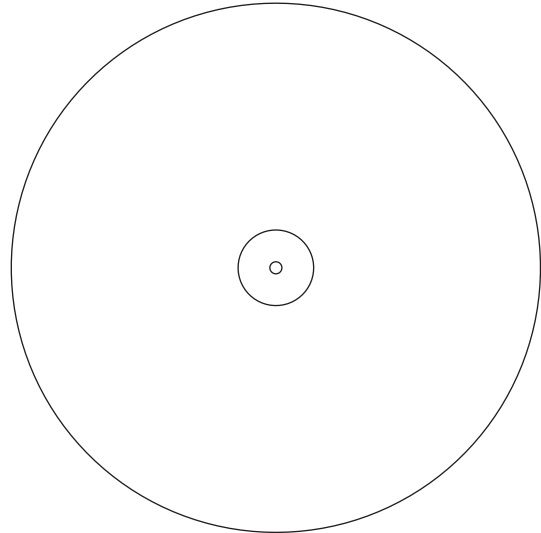
Components - Panels

If you have damaged or missing components, call the **Customer Helpline:08456 400800**

Please check you have all the panels listed below



1 Top glass x 1 (40 x 40cm)



2 Base glass x 1 (35 x 35cm)

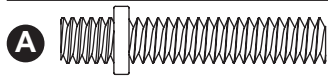


3 Tube x 1 (5 x 42cm)

Components - Fittings

Please check you have all the fittings listed below

Note: The quantities below are the correct amount to complete the assembly. In some cases more fittings may be supplied than are required.



A Two end threaded bolt x 2



B Glass pad x 5

Ruler - Use this ruler to help correctly identify the screws



Assembly Instructions

Step 1

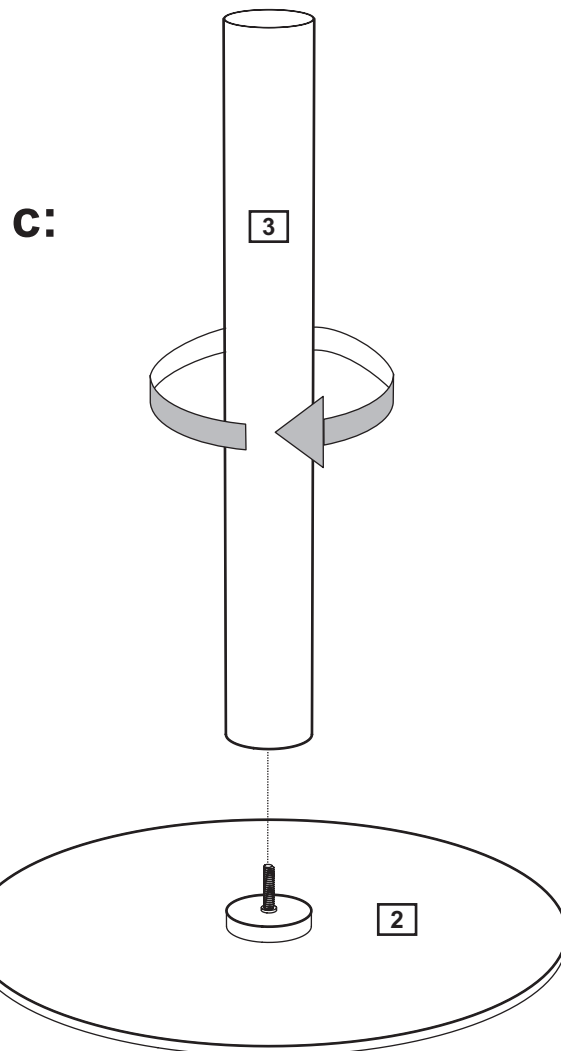
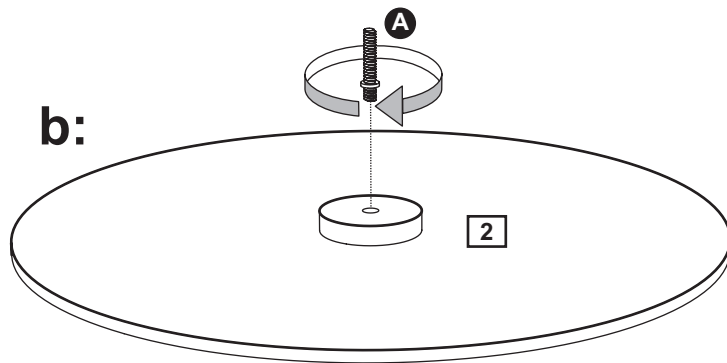
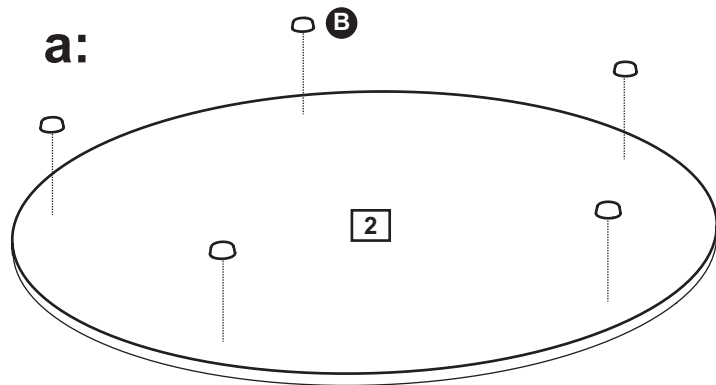
Fitting the tube

Note: Assemble on a soft level surface or on the original packing material to avoid damaging the unit or your floor.

a: Stick the Glass pads **B** onto the Base glass **2**.

b: Screw in Two end threaded bolt **A** onto Base glass **2**.

c: Screw in Tube **3** onto the unit.



Assembly Instructions

Step 2

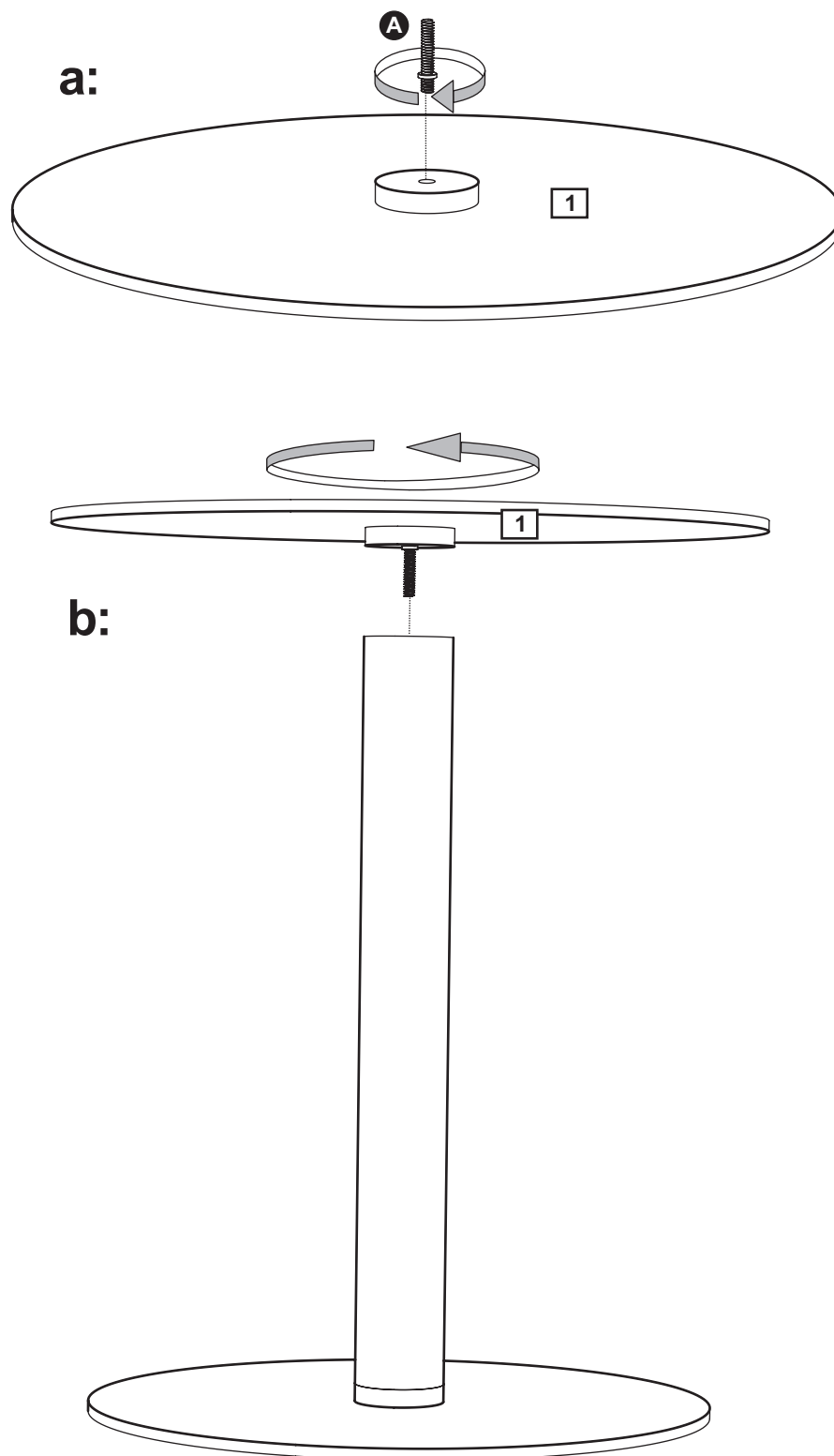
Fitting the top

Note: It would be useful to ask someone to help you at this stage.

a: Screw in Two end threaded bolt **A** onto Top glass **1**.

b: Screw in Top glass **1** onto the unit.

Assembly is complete.



If you need help or have damaged or missing parts, call the **Customer Helpline : 08456 400800**