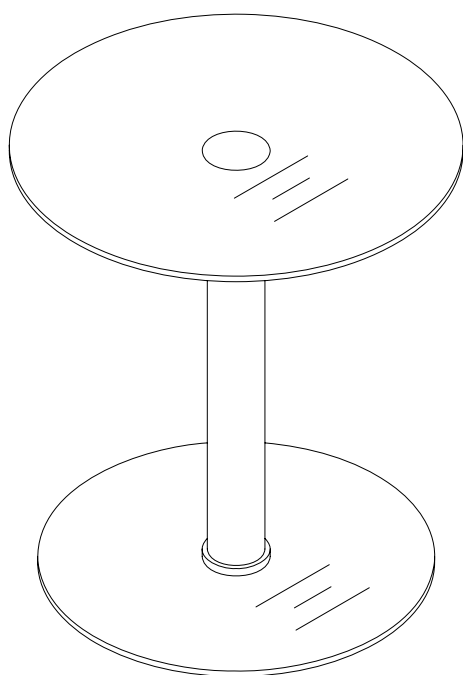


Black Glass round Lamp Table

Assembly Instructions



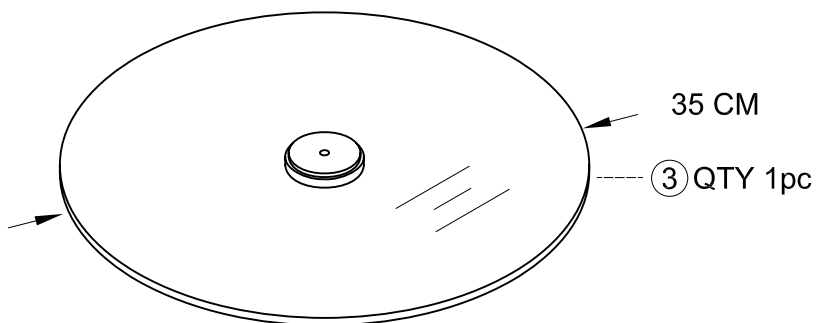
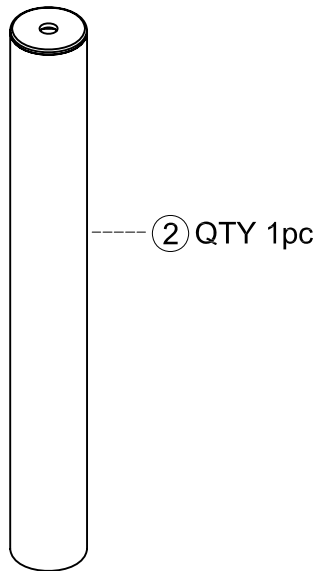
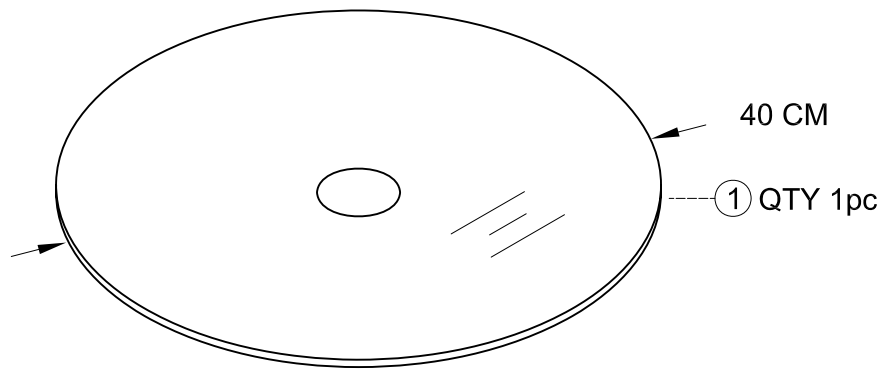
Before you
start, here
is some
helpful advice

1. We suggest you spend a short time reading through this leaflet and then follow the simple step by step instructions.
2. If you follow the instructions carefully the end result should be worth the effort.
3. Do not discard any of the packaging until you have checked that you have all the parts and the pack of fittings.
4. Assemble this product on a carpet.
5. To ensure an easier assembly, we strongly advise that all fittings are only finger tightened during initial assembly. Only upon completion of the assembly should all fixing points be fully tightened.
6. We recommend a periodic check on all fixing points to make sure they remain fully tightened.
7. Keep glue and fittings out of children's reach.

After-sales telephone number for spare parts : 08456 400800

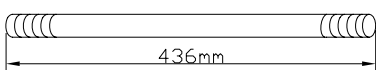
Component parts and fittings contained in the box

Parts



Fittings

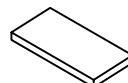
Ⓐ QTY 1



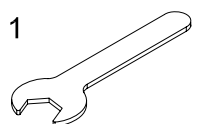
Ⓑ QTY 1



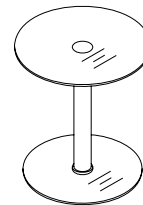
Ⓒ QTY 4



Ⓓ QTY 1

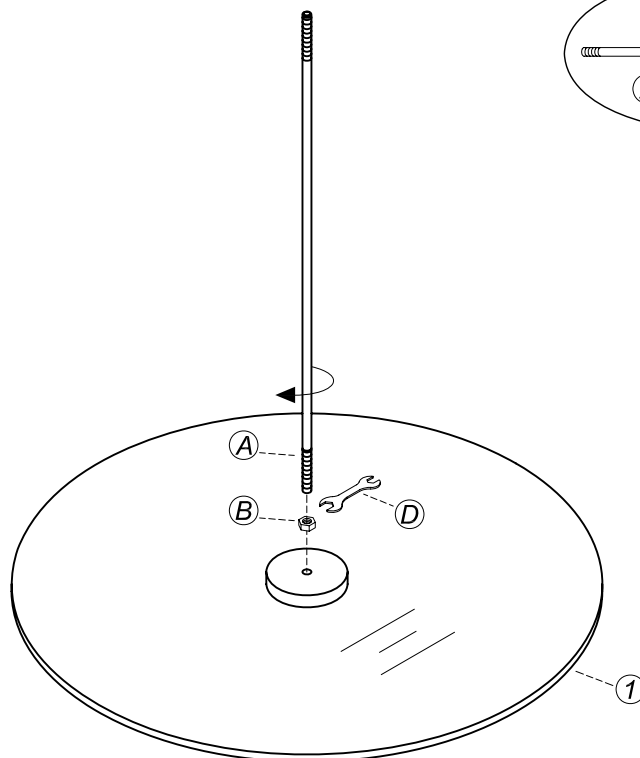


ASSEMBLY



- 1) Carefully place top glass ① upside down onto a clean flat surface.
- 2) Screw nut ② onto end of threaded rod ③.
- 3) Screw threaded rod ③ into the metal disc on the underside of large glass top ①.
- 4) Tighten nut ② onto the metal discs.

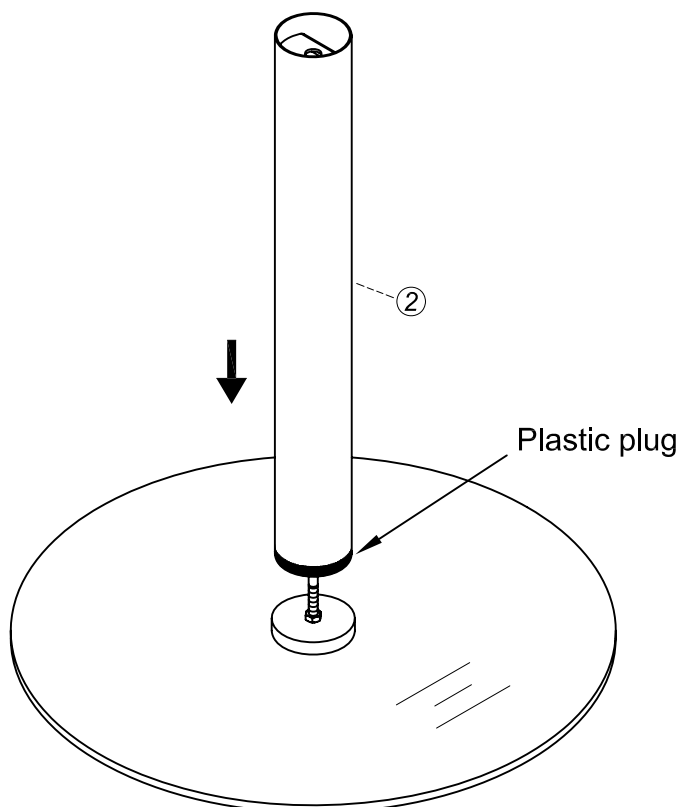
STEP 1



Shown upside down

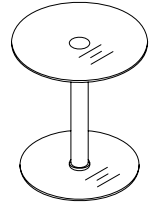
- 1) Ensuring black plastic plug is facing down, locate stem ② over the threaded rod.

STEP 2



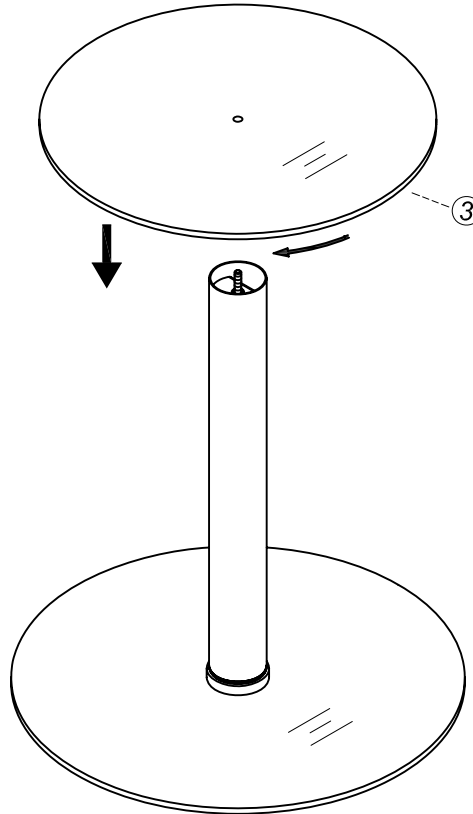
Shown upside down

ASSEMBLY



- 1) Carefully align bottom glass ③ with the main stem. screw glass onto the end of the threaded rod and tighten.

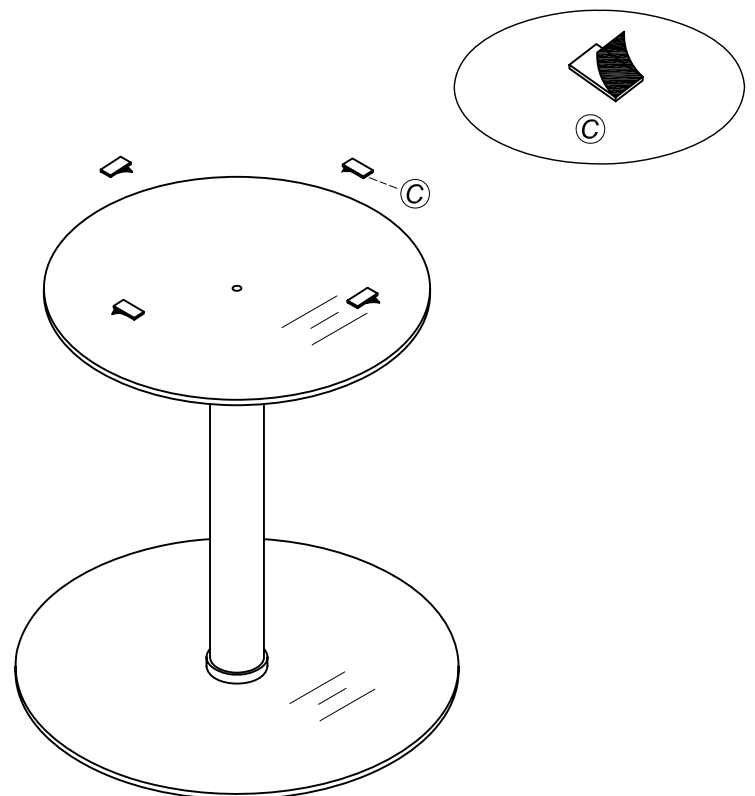
STEP 3



Shown upside down

- 1) Stick self adhesive pads © to bottom glass ③ as shown.
- 2) Turn table upright.

STEP 4



Customer information

Keep these instructions for further use.

Maximum safe load for glass top is 20KGS

PRODUCT INFORMATION

- This product complies with BS7449: 1991

- Imported by:

Argos Distributors Ltd
489-499 Avebury Boulevard
Saxon Gate West
Central Milton Keynes
MK9 2NW

- Product Cat No.: 609/1415D

- P/O No:

The glass included with this product is tempered glass of a nominal thickness of 6mm. It complies to BS6206 class C.

If a glass component is chipped or broken replace with glass of the type described on this label. Consult the manufacturer, retailer or agent with regard to obtaining a manufacturing specification and shape for replacement glass quoting the model number and batch number or date of manufacture.

WARNINGS

- 1) Do not place very hot or very cold items against or in close proximity to glass surfaces unless an adequately thick insulating material is used to prevent such items from coming into contact with the glass.
- 2) Do not strike the glass with hard or pointed items.
- 3) When cleaning glass panels or mirrors use damp cloth or leather with Washing up liquid or soft soap if necessary, do not use washing Powders or any other substance containing abrasives since these Substances scratch glass.
- 4) Do not sit or stand upon horizontal glass surfaces.