

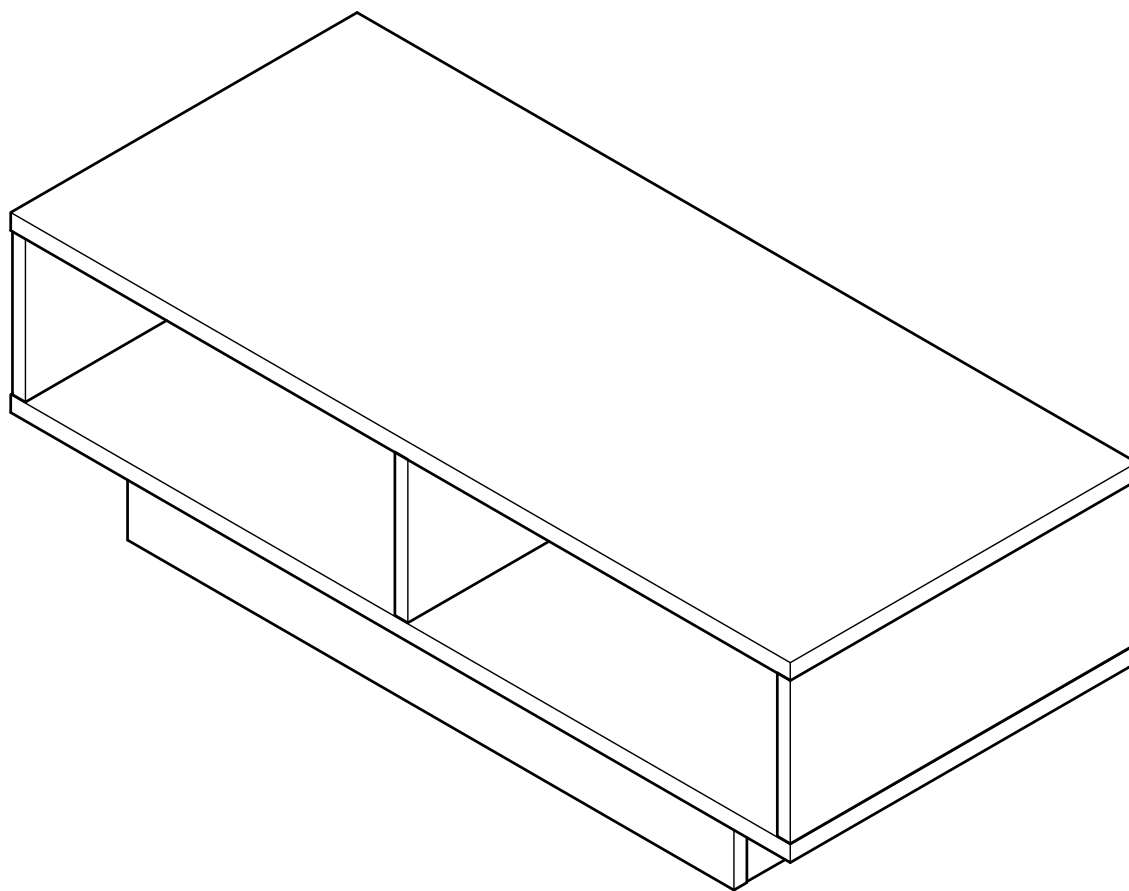
Cubes TV Unit

Assembly Instructions - Please keep for future reference

609/0746

609/1965

609/5686



Dimensions

Width - 90cm

Depth - 40cm

Height - 30cm

Important - Please read these instructions fully before starting assembly

If you need help or have damaged or missing parts, call the **Customer Helpline: 08456 400800**



Safety and Care Advice

Important - Please read these instructions fully before starting assembly

- Check you have all the components and tools listed on page 2 and 3.
- Remove all fittings from the plastic bags and separate them into their groups.
- Keep children and animals away from the work area, small parts could choke if swallowed.
- Make sure you have enough space to layout the parts before starting.

- Do not stand or put weight on the panels during assembly, this could cause damage.
- Assemble the item as close to its final position (in the same room) as possible.
- Assemble on a soft level surface to avoid damaging the unit or your floor.
- Parts of the assembly will be easier with 2 people.



- We do not recommend the use of power drill/driver **for inserting screws**, as this could damage the unit. Only use hand screwdrivers.
- Dispose of all packaging carefully and responsibly.

Glue safety - Take care when using glue, please follow the advice below

Skin contact: Remove contamination by washing with soap and water. This procedure should also be followed prior to eating and drinking.

Eye contact: Rinse immediately with clean water for 15 minutes and seek medical advice.

If swallowed: Seek medical advice immediately. If possible show product information or label to the medical advisor.

Care and maintenance

• Only clean using a damp cloth and mild detergent, do not use bleach or abrasive cleaners.

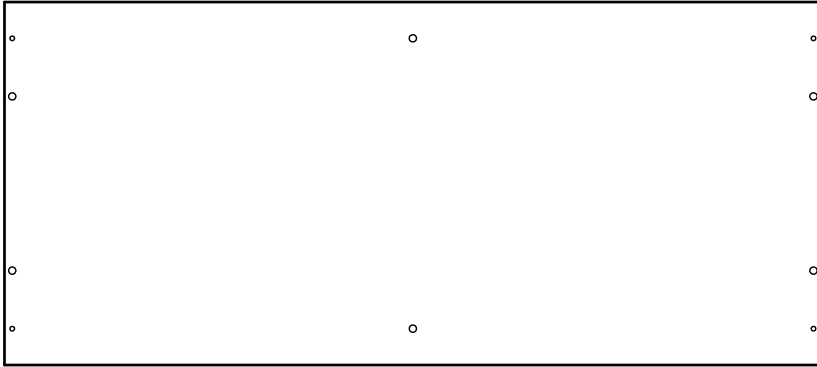
• From time to time check that there are no loose screws on this unit.

• This product should not be discarded with household waste. Take to your local authority waste disposal centre.

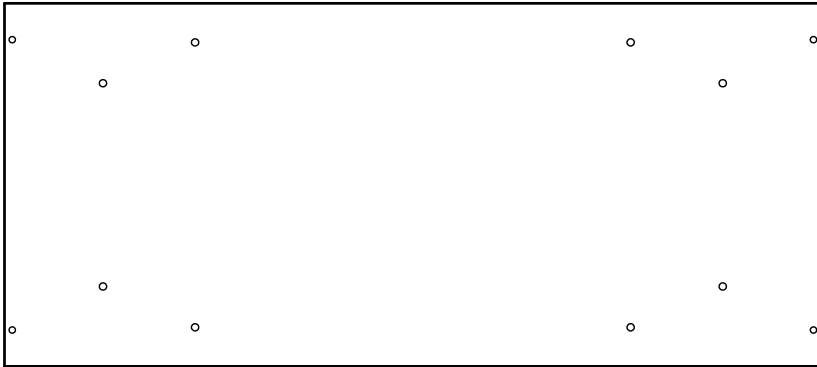
Note: If required the next page can be cut out and used as reference throughout the assembly. Keep this page with these instructions for future reference.

Components - Panels

Please check you have all the panels listed below



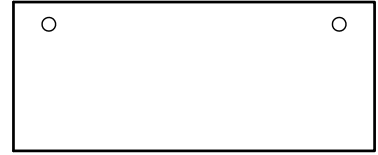
1 Table top (90 x 40cm)



2 Table bottom (90 x 40cm)



3 Base x 2 (70 x 9.5cm)



4 Side x 2 (39.8 x 16.4cm)



5 Middle (39.8 x 16.4cm)



6 Base side x 2 (30 x 9.5cm)

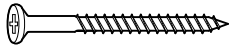
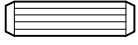
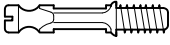




Components - Fittings

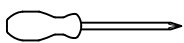
If you have damaged or missing components, call the **Customer Helpline: 08456 400800**

Please check you have all the fittings listed below

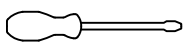
Note: The quantities below are the correct amount to complete the assembly. In some cases more fittings may be supplied than are required.

<p>A </p> <p>57mm Screw x 4</p>	<p>B </p> <p>Dowel x 28</p>	<p>C </p> <p>Locking pin x 4</p>
<p>D </p> <p>Locking nut x 4</p>	<p>E </p> <p>Glue x 1</p>	

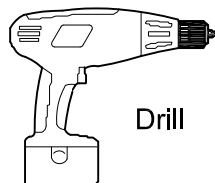
Tools required



Phillips screwdriver
(medium & large)

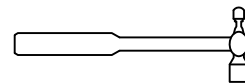


Flatblade screwdriver
(medium)



Drill

7mm Masonry drill bit
(for use with wall plug)



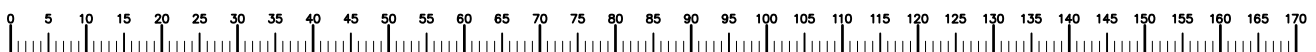
Small
hammer



Ruler/tape
measure

Eye protection
(when using a
hammer or glue)

Ruler - Use this ruler to help correctly identify the screws



Assembly Instructions

Step 1

Fitting the base

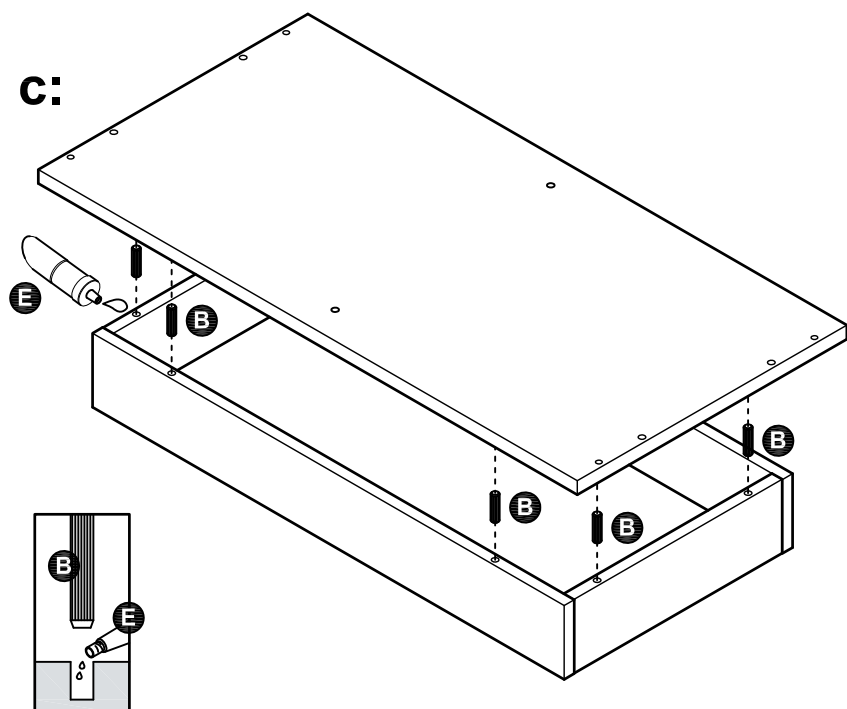
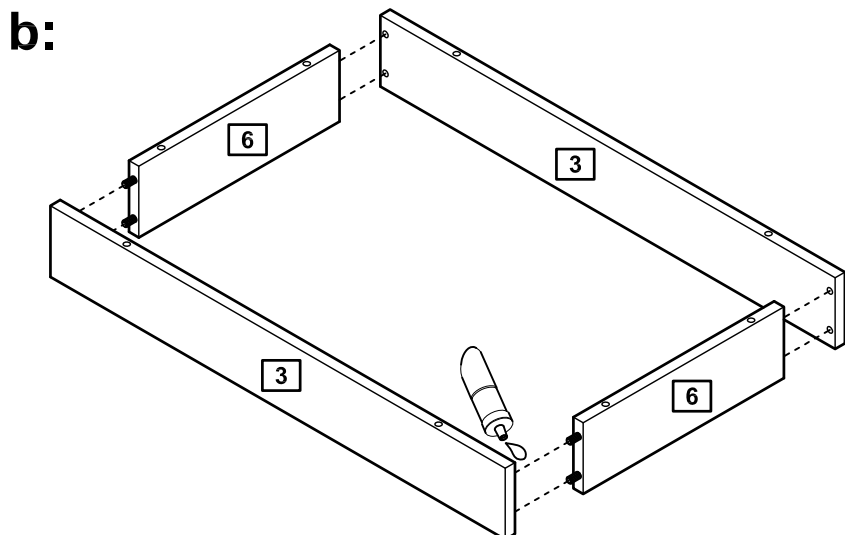
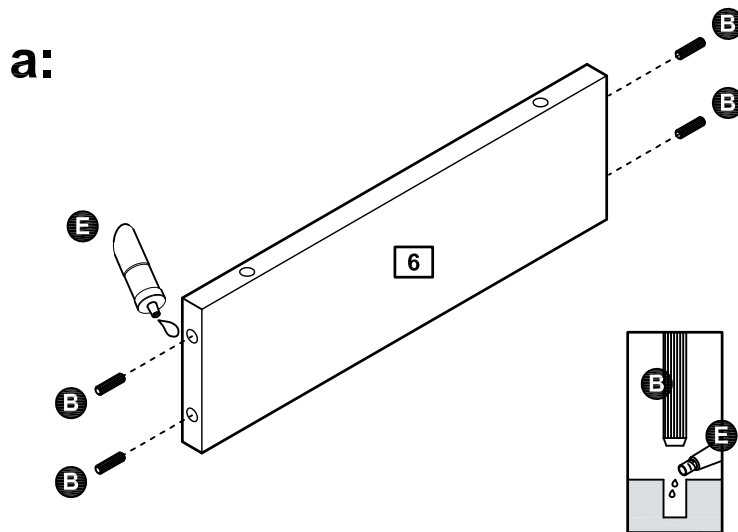


Caution: Always check the assembly method is correct before applying glue.

a: Place a small amount of glue **E** into the dowel holes. Insert dowels **B** into the base side panels **6**.

b: Place a small amount of glue **E** into the dowel holes. Fix the base panels **3** onto the base side panels **6**.

c: Place a small amount of glue **E** into the dowel holes. Use dowels **B** to fix the bottom panel **2** onto the unit.



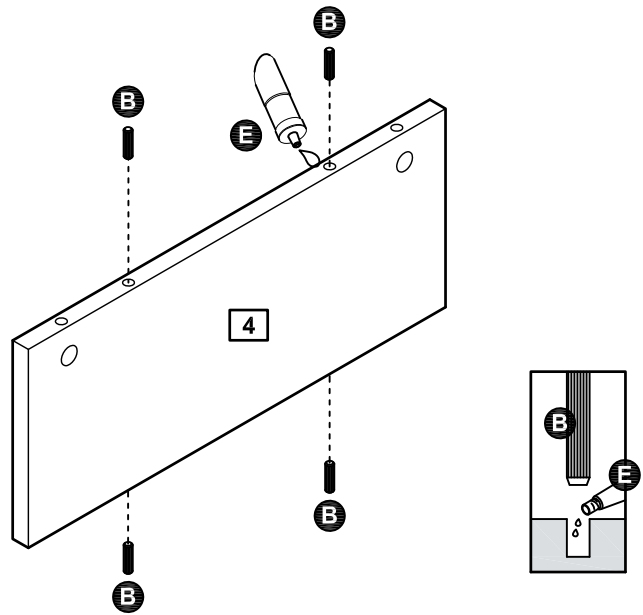
Assembly Instructions

Step 2

Fitting the side panels

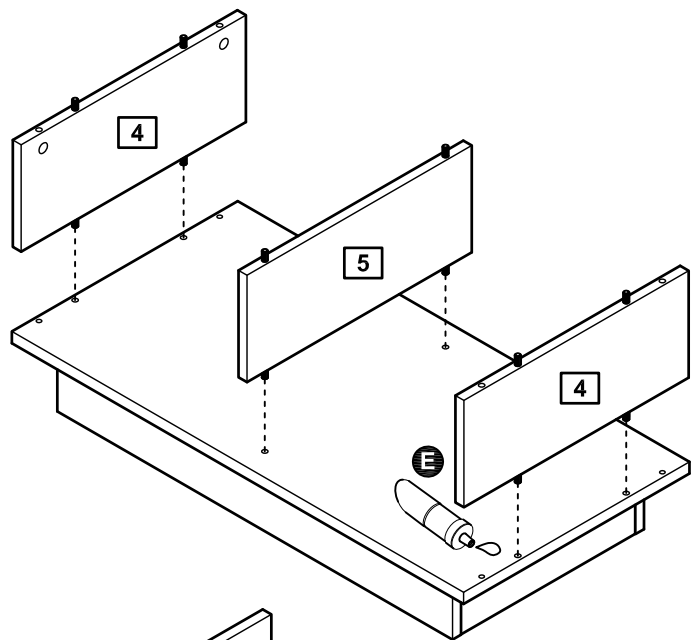
a: Place a small amount of glue **E** into the dowel holes. Insert dowels **B** into the side panels **4** and middle panel **5**.

a:



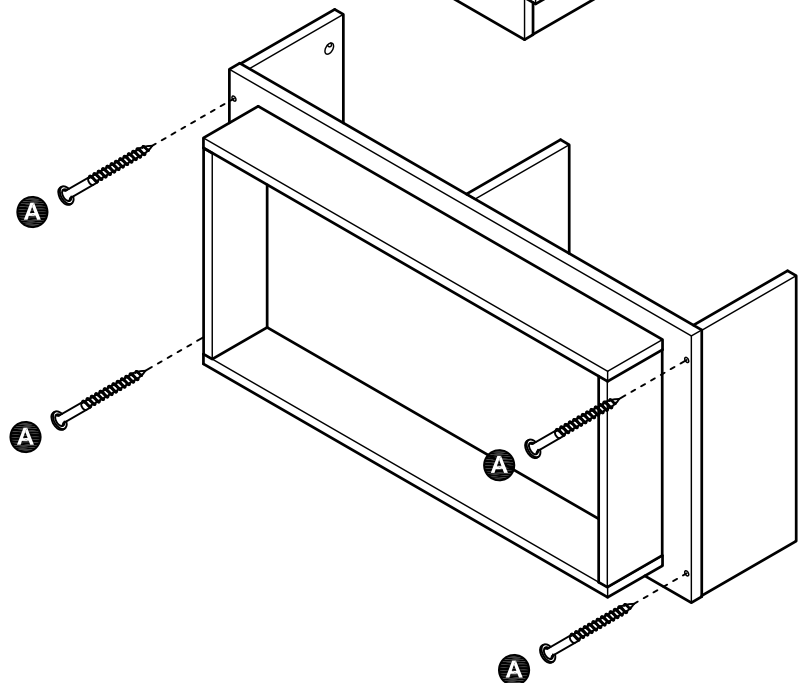
b: Place a small amount of glue **E** into the dowel holes. Fix the side panels **4** and middle panel **5** onto the unit.

b:



c: Use screws **A** to fix the side panels **4** onto the unit.

c:

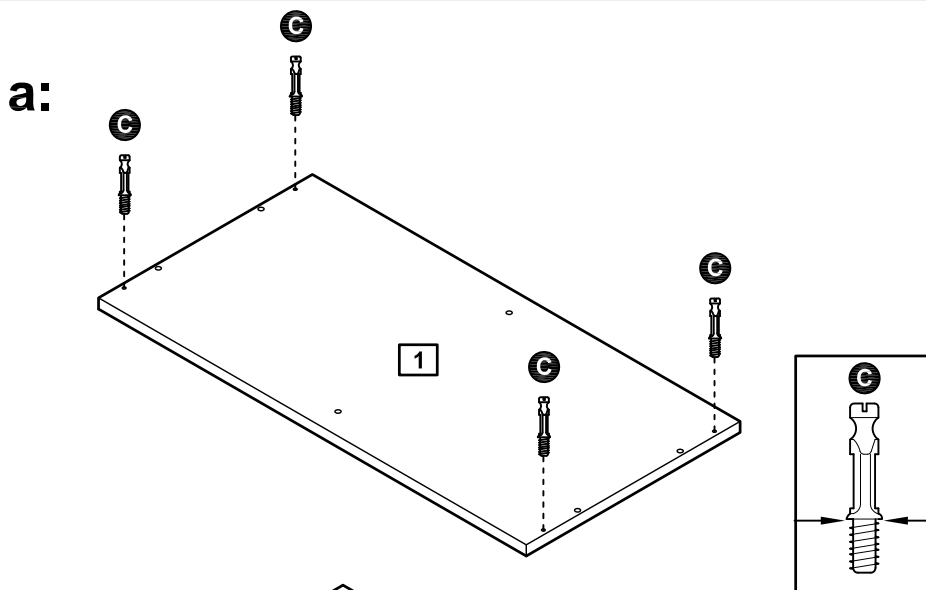


Assembly Instructions

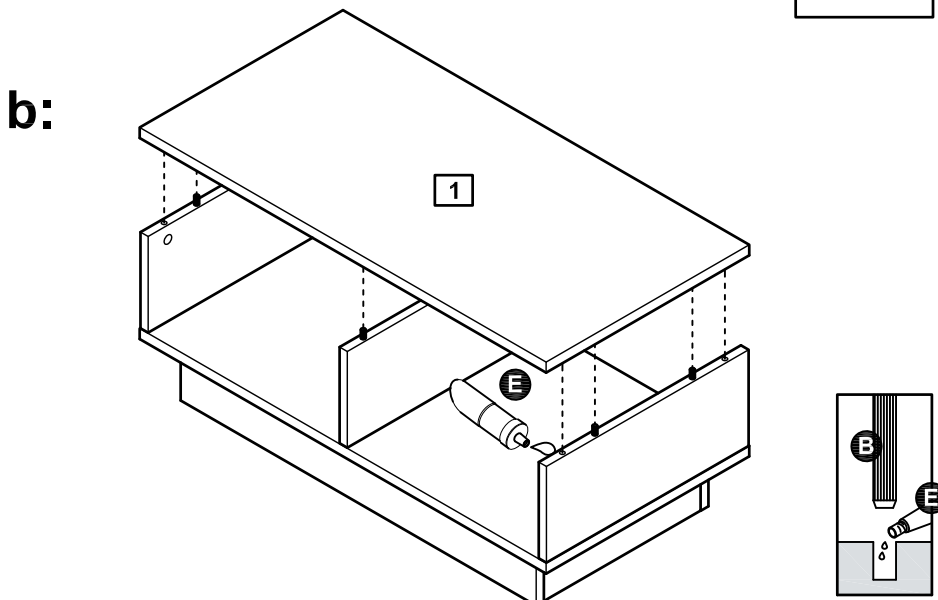
Step 3

Fitting the table top

a: Screw locking pins **G** into the table top **1**. Insert locking pins as far as shown.



b: Place a small amount of glue **E** into the dowel holes. Carefully locate the table top **1** onto the unit.

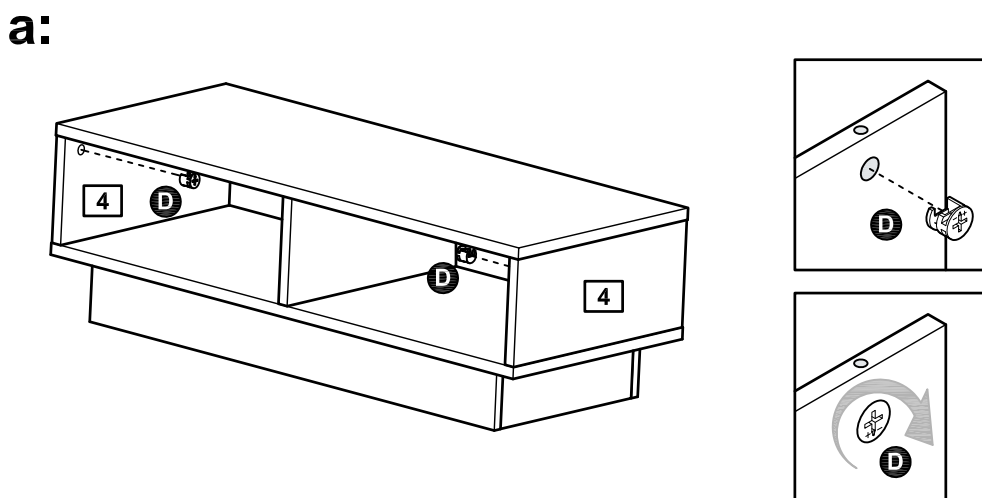


Step 4

Finishing the unit

a: Insert locking nuts **D** into side panels **4**, then use a screwdriver to turn locking nuts clockwise to lock.

NOTE: Before use make sure the unit is secure. Allow glue to dry for 24 hours or be completely dry before use.



If you need help or have damaged or missing parts, call the **Customer Helpline: 08456 400800**