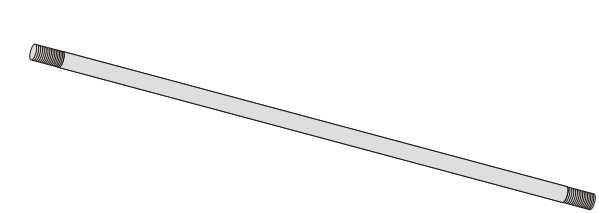
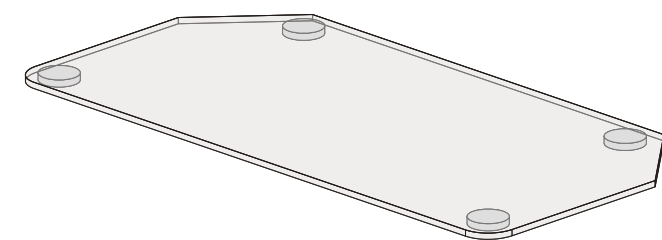


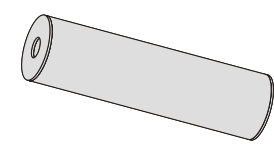
Components



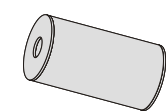
A Metal Rail x 4



B Glass Top x 1



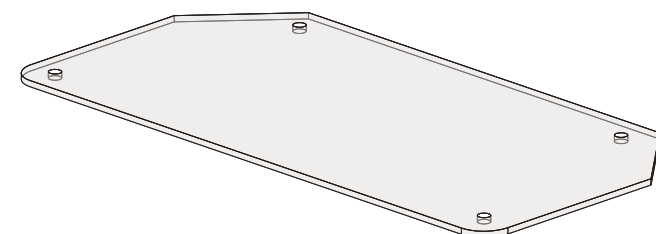
C Metal Tube x 8



D Metal Tube x 4



E Feet x 4



F Glass Shelf x 2

Assembly Instructions

Stage 1 - Fitting Metal Rail A, Metal Tube C and Glass Shelf F

fig 1

Finger tighten 4 pcs of Metal Rails **A** onto Glass Top **B** as shown.

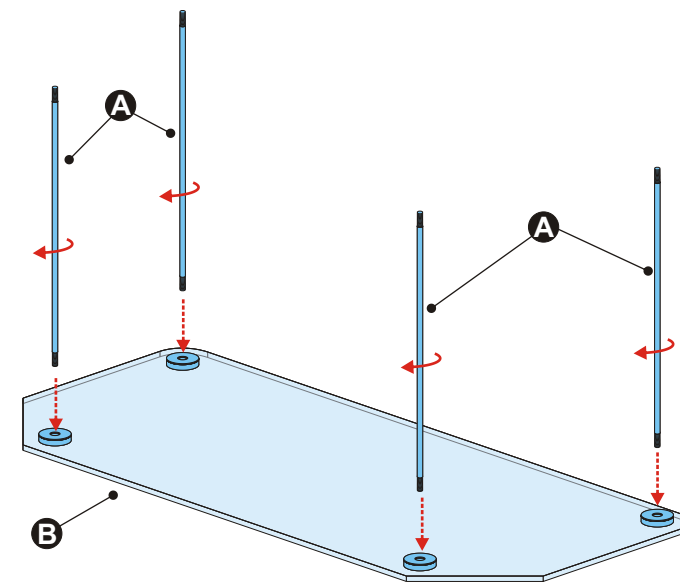


fig 2

Attach 4 pcs of Metal Tube **C** through 4 pcs of Metal Rails **A** as shown.

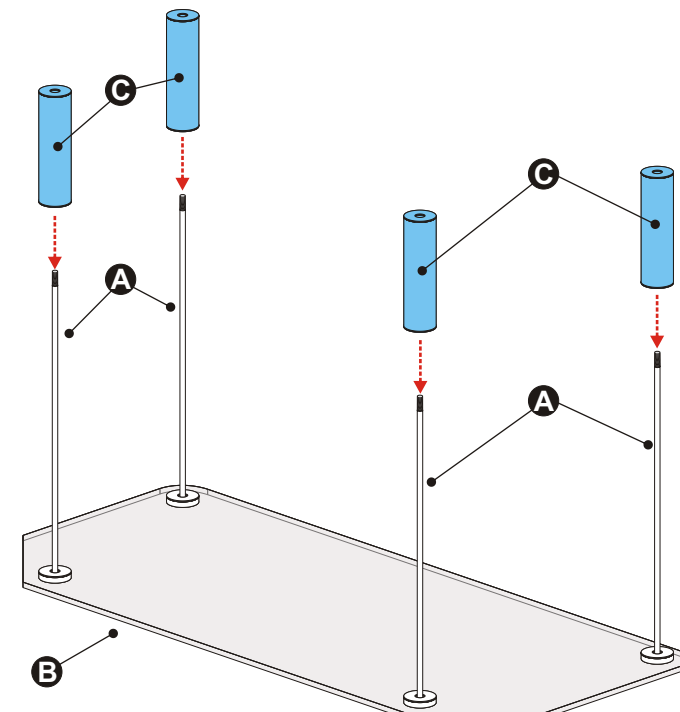
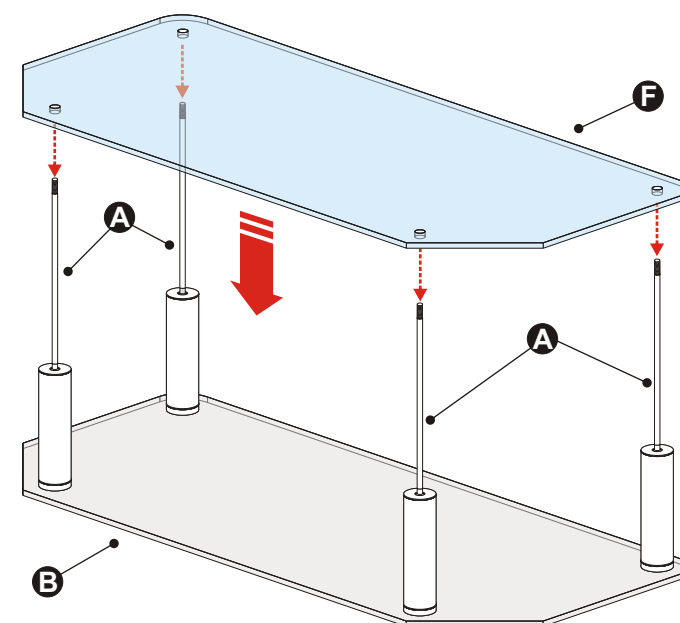


fig 3

Please be careful to place Glass Shelf **F** through 4 pcs of Metal Rails **A** as shown.



Assembly Instructions

Stage 2 - Fitting Metal Tube C and Glass Shelf F

fig 4

Attach 4 pcs of Metal Tube **C** through 4 pcs of Metal Rails **A** as shown.

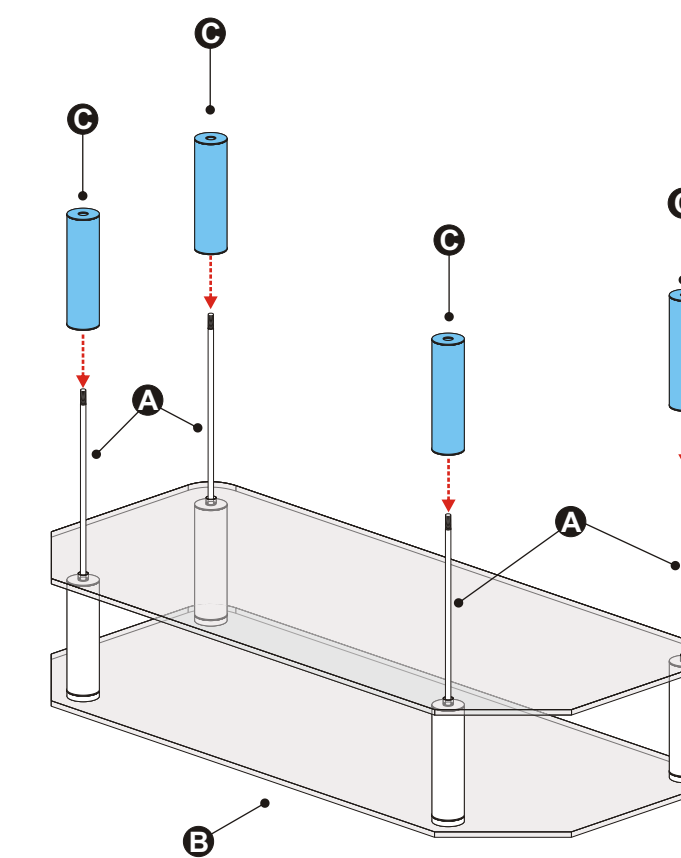
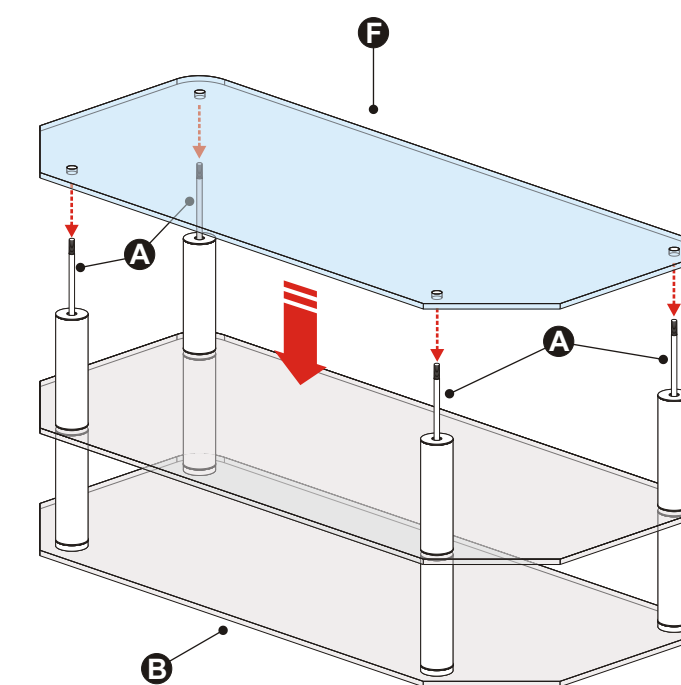


fig 5

Please be careful to place Glass Shelf **F** through 4 pcs of Metal Rails **A** as shown.



Assembly Instructions

Stage 3 - Fitting Metal Tube D and Feet E

fig 6

Attach 4 pcs of Metal Tube **D** through 4 pcs of Metal Rails **A** as shown.

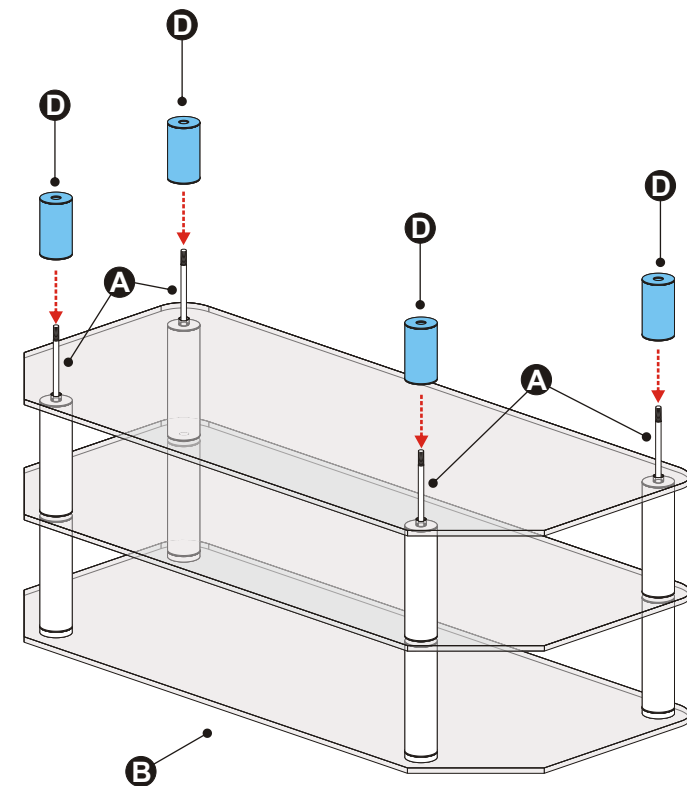
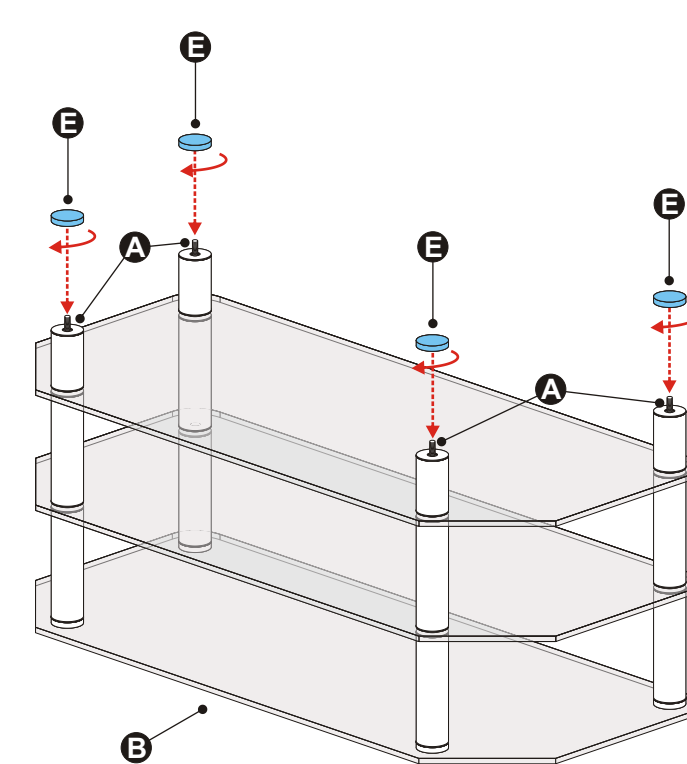


fig 7

Finger tighten 4 pcs of Feet **E** onto the unit shown.



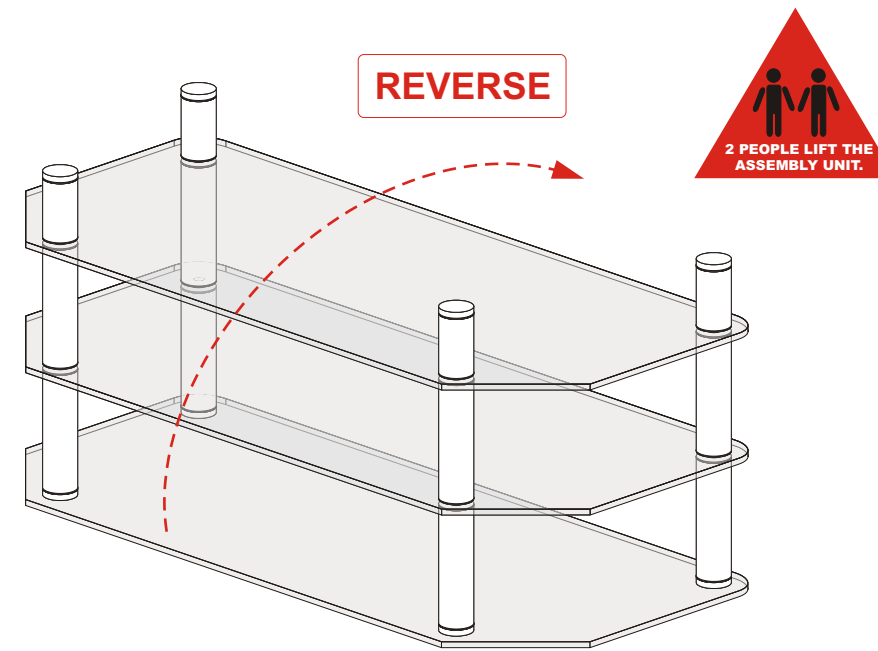
Assembly Instructions

Stage 4 - Complete

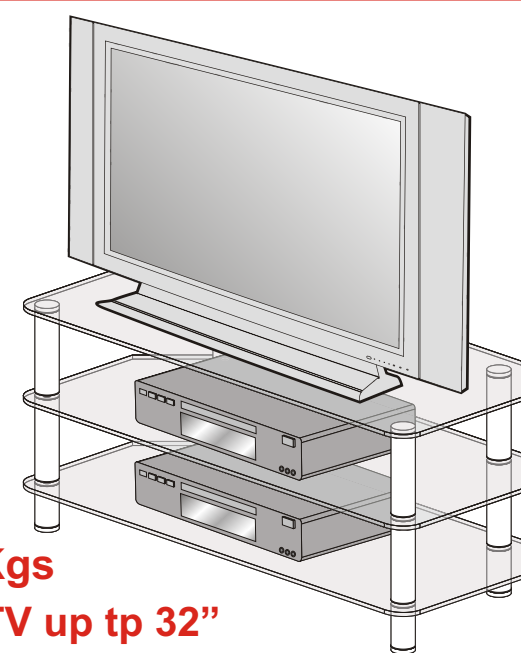
fig 8

Please check carefully if all parts are tighten before turn the unit over.

fig 8



Completed



Max load : 75Kgs
Supports Flat TV up tp 32"

Care and Maintenance

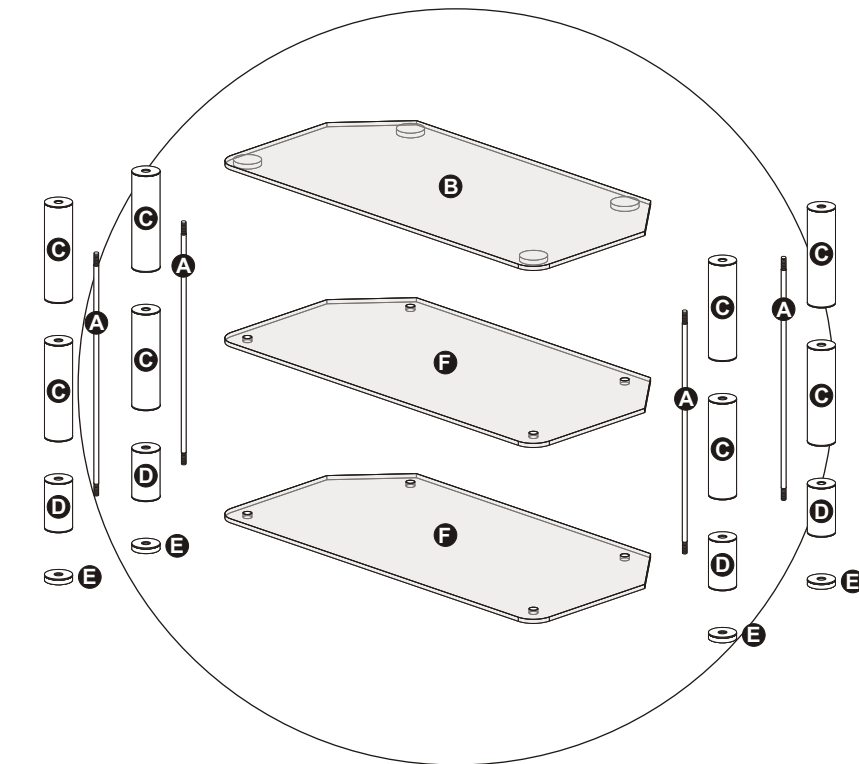
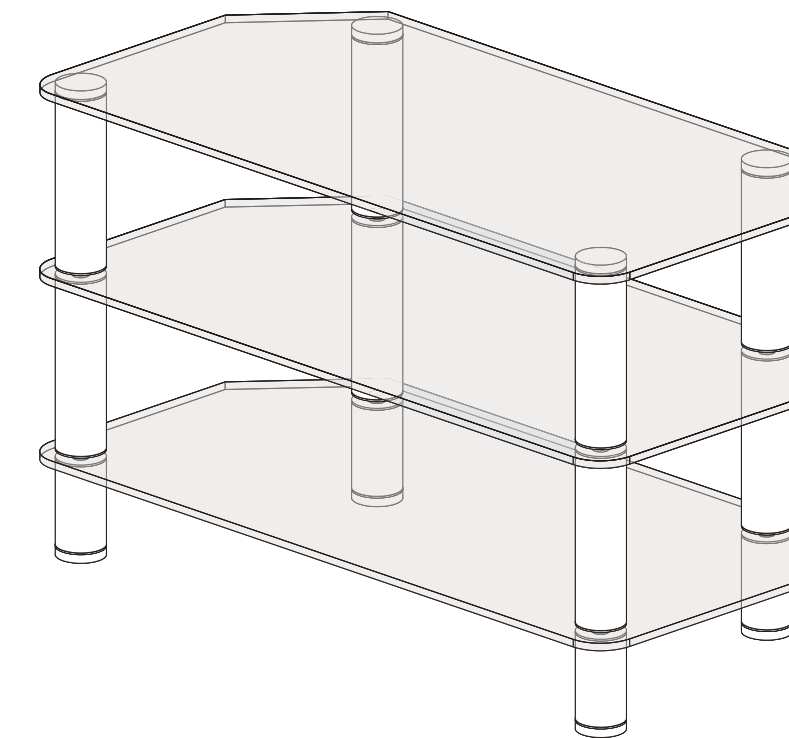
Cleaning

Clean all surfaces with a damp cloth and mild detergent. Please do not use bleach or abrasive products.

Fitting

From time to time check to ensure the screws and legs remain rigid.

Matrix Glass / Metal Entertainment Unit



SAFETY WARNING INFORMATION

Keep these instructions for future use:

IMPORTANT

- 1) Read these instructions carefully and familiarise yourself with the procedures before assembling the unit.
- 2) Check that you have all the component parts. Follow the list on the back cover and familiarise yourself with each part before proceeding.
- 3) Take all the fittings out of the plastic bag and separate them into their groups.
- 4) Ensure you have enough space to lay out all parts before assembly.
- 5) To avoid scratches. It is recommended that you assemble the unit on a soft leveled surface.

WARNINGS

- 1) Do not place very hot or very cold items against or in close proximity to glass surfaces unless an adequately thick insulating material is used to prevent such items from coming into contact with the glass.
- 2) Do not strike the glass with hard or pointed items.
- 3) When cleaning glass panels or mirrors use a damp cloth or leather with washing up liquid or soft soap if necessary; do not use washing powders or any other substance containing abrasives since these substances scratch glass.
- 4) Do not sit or stand upon horizontal glass surfaces.

Marking BS 7449:1991 on or in relation to a product represents a manufacturer's declaration of conformity, i.e. a claim by or on behalf of the manufacturer that the product meets the requirements of the standard. The accuracy of the claim is therefore solely the responsibility of the person making the claim. Such a declaration is not to be confused with third party certification of conformity, which may also be desirable.

Instructions for BS 7449 : 1991 for products (Cabinets, shelving systems and a wall hung or free standing mirrors) which include glass

Catalogue Number: **6108009(Clear Glass) / 6090698(Black Glass)**

Manufacture date: **September 2007**

Retailer: **Argos**

Retailer address: **489-499 Avebury Boulevard
Saxon Gate West
Central Milton Keynes
Mk9 2NW**

This unit contains toughened glass of nominal thickness of 8 / 5 mm

The glass complies with Class A of BS 6206

If a glass component is chipped or broken replace with glass of the type described on this label. Consult the manufacturer, retailer or agent with regard to obtaining a manufacturing specification and shape for replacement glass quoting the model number, and batch number or date of manufacture.