

# New Pagnell Desk

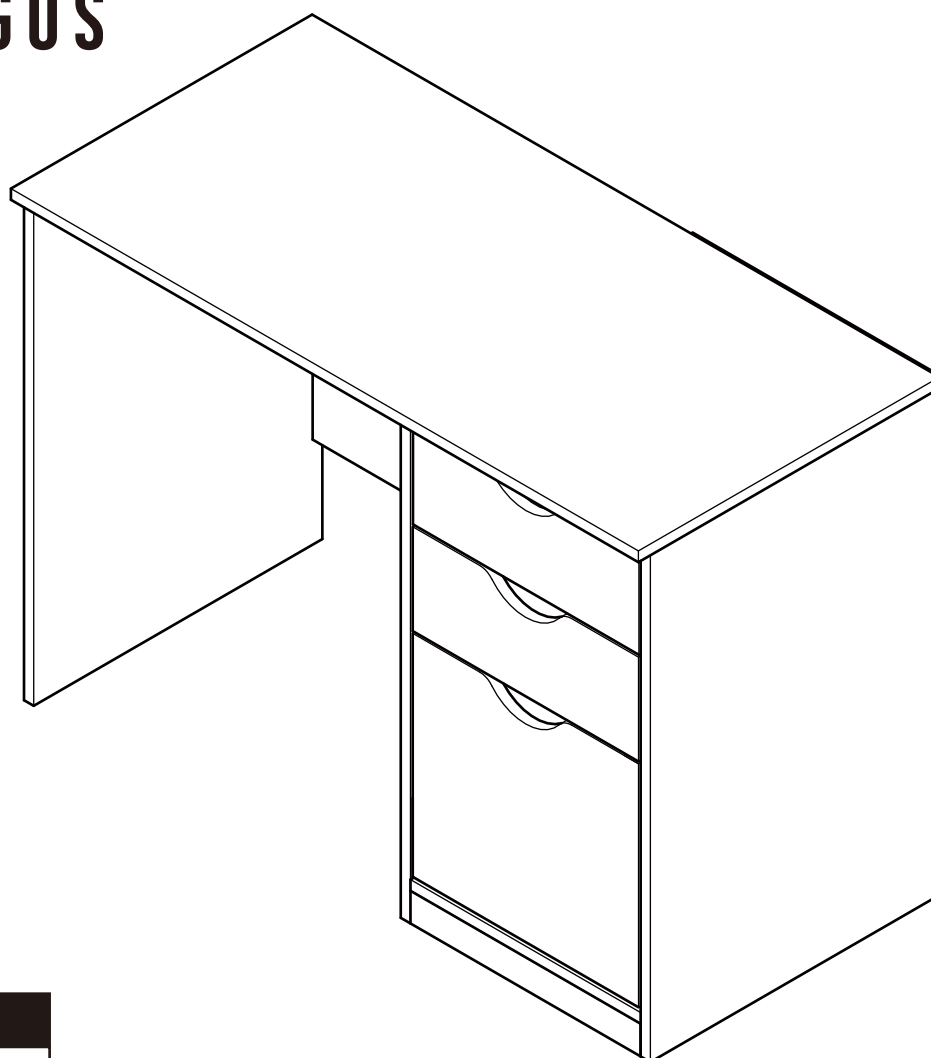
Assembly Instructions - Please keep for future reference

622/1168

618/7202

606/9447

**H O**  
**M E**  
**BY ARGOS**



## Dimensions

Width - 100cm

Depth - 48.5cm

Height - 71.5cm

**Important** - Please read these instructions fully before starting assembly

If you need help or have damaged or missing parts, call the **Customer Helpline:**  
**Argos = 0345 6400800**



# Safety and Care Advice

**Important** – Please read these instructions fully before starting assembly

- Check you have all the components and tools listed on the following pages.
- Remove all fittings from the plastic bags and separate them into their groups.
- Keep children and animals away from the work area, small parts could choke if swallowed.
- Make sure you have enough space to layout the parts before starting.
- Do not use this item if any components are missing or damaged.
- During assembly do not stand or put weight on the product, this could cause damage.
- Assemble the item as close to its final position (in the same room) as possible.
- Assemble on a soft level surface to avoid damaging the unit or your floor.
- During assembly children should be kept away from the product due to possible risk of injury.
- Parts of the assembly will be easier with 2 people.



- To reduce the likelihood of damaging your product please ensure that your power drill is set on a low torque setting.

**Glue safety** - Take care when using glue, please follow the advice below

**Skin contact:** Remove contamination by washing with soap and water. This procedure should also be followed prior to eating and drinking.

**Eye contact:** Rinse immediately with clean water for 15 minutes and seek medical advice.

**If swallowed:** Seek medical advice immediately.

## Care and maintenance

• Only clean using a damp cloth and mild detergent, do not use bleach or abrasive cleaners.

• From time to time check that there are no loose screws on this unit.

• This product should not be discarded with household waste. Take to your local authority waste disposal centre.

## Handy Hints

• Assemble all parts and bolts loosely during assembly, only once the product is complete should you fully tighten the bolts

• Regularly check and ensure that all bolts and fittings are tightend properly.

## IMPORTANT: RETAIN THESE INSTRUCTIONS FOR FUTURE REFERENCE

• Argos Ltd. MK9 2 NW.

• This product is intended for children in the age 6 or above.

• Maximum load:  
50 kgs (top of desk).

• Assembly of this product must be carried out by a competent adult.

**Note:** if required the next page can be cut out and used as reference throughout the assembly. Keep this page with these instructions for future reference.

# Components - Panels

If you have damaged or missing components, call the  
Customer Helpline: Argos = 0345 6400800

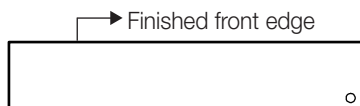
Please check you have all the panels listed below



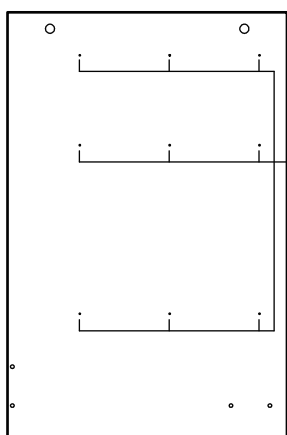
**1** Table top (100 x 48cm)



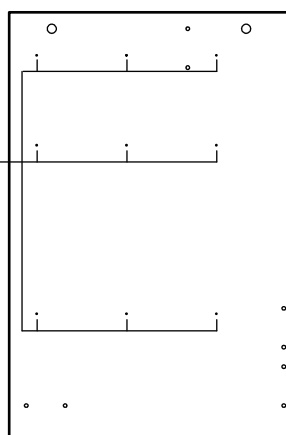
**2** Top support (58.5 x 11cm)



**3** Bottom support (58.5 x 11cm)



**4** Right side panel (46 x 70cm)



**5** Middle panel (46 x 70cm)

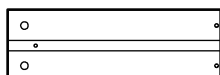
Pilot holes  
for guidance  
only



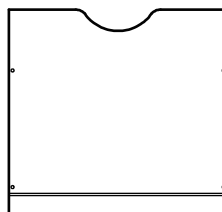
**6** Left side panel (46 x 70cm)



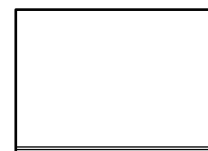
**7** Front support (36.7 x 11cm)



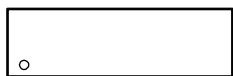
**11** Drawer right side x 2 (34 x 11.5cm)



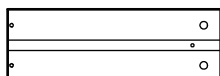
**15** Large drawer front (36 x 33.6cm)



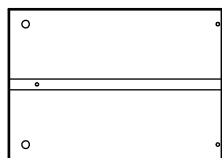
**18** Large drawer back (33.5 x 24cm)



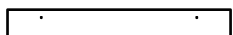
**8** Back support (36.7 x 11cm)



**12** Drawer left side x 2 (34 x 11.5cm)



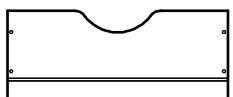
**16** Large drawer right side (34 x 24cm)



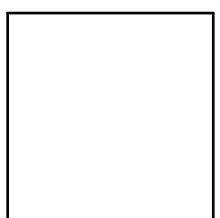
**9** Front panel (36.7 x 4.5cm)



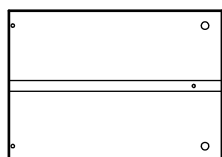
**13** Drawer back x 2 (33.5 x 11.5cm)



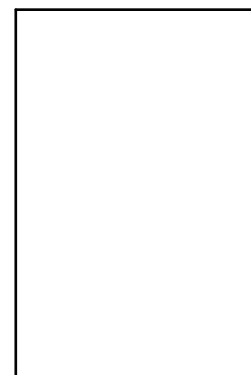
**10** Drawer front x 2 (36 x 14.4cm)



**14** Drawer bottom x 3 (33.6 x 34.4cm)



**17** Large drawer left side (34 x 24cm)












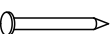

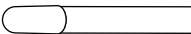
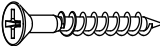

**19** Back panel (60 x 39.4cm)



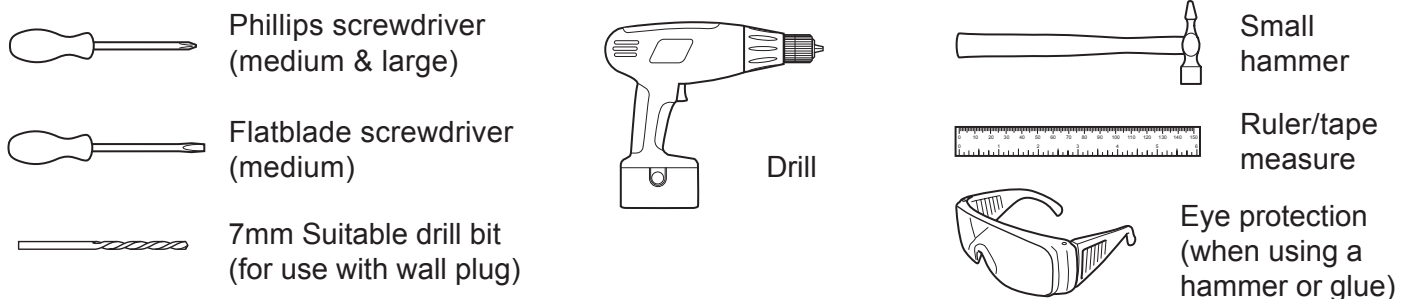
# Components - Fittings

Please check you have all the fittings listed below

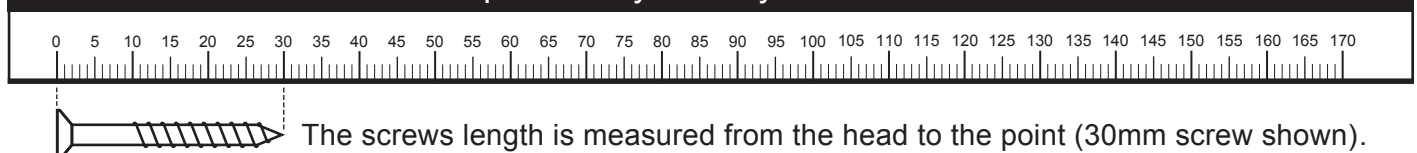
**Note:** The quantities below are the correct amount to complete the assembly. In some cases more fittings may be supplied than are required.

<b>A</b>  Runner x 6	<b>B</b>  (This Screw is included in the bag of runner) 12mm Screw x 18	<b>C</b>  30mm Dowel x 13
<b>D</b>  Plastic support x 2	<b>E</b>  14mm Screw x 4	<b>F</b>  39mm Locking pin x 22
<b>G</b>  15mm Locking nut x 10	<b>H</b>  50mm Screw x 8	<b>I</b>  Screw cover x 4
<b>J</b>  Nail x 12	<b>K</b>  12mm Locking nut x 12	<b>L</b>  Glue x 1
<b>M</b>  30mm Screw x 12	<b>N</b>  12mm Screw x 6	

## Tools required



## Ruler - Use this ruler to help correctly identify the screws



# Assembly Instructions

## Step 1

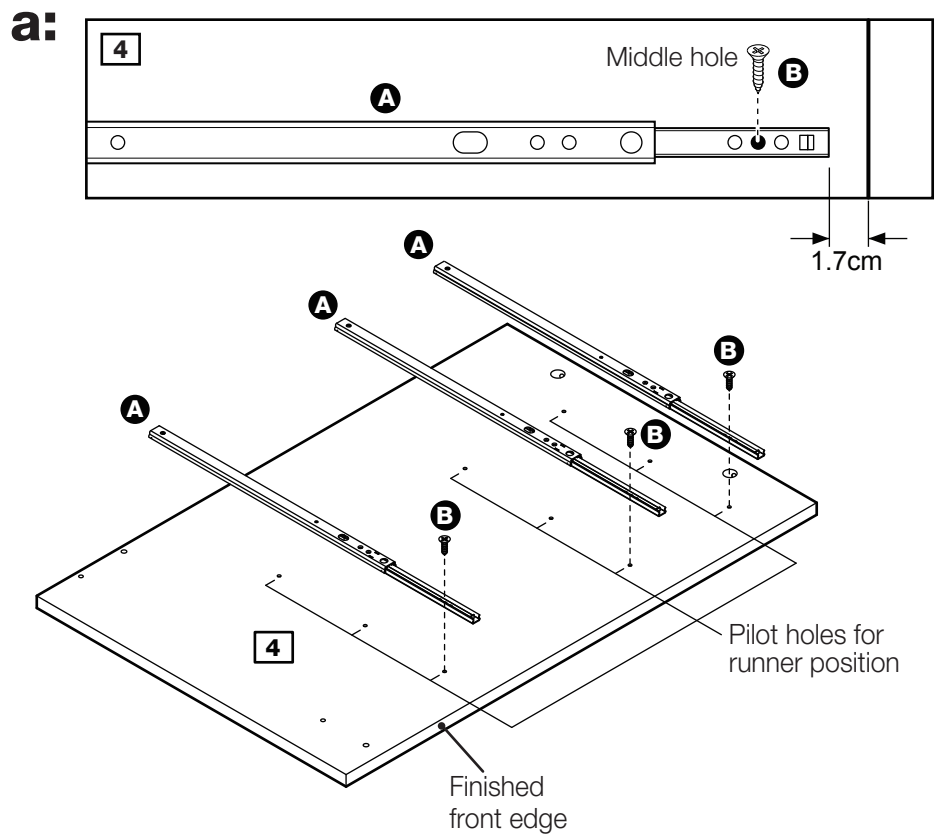
### Attaching runners

**a:** Position Runners **A** in front edge of the Right side panel **4**.

Slide top of the Runners **A** back.

Use Screws **B** to fix the Runners **A** on the Right side panel **4**.

**Note:** The front part of the runner should be approximately 1.7cm from the front edge of the panel.

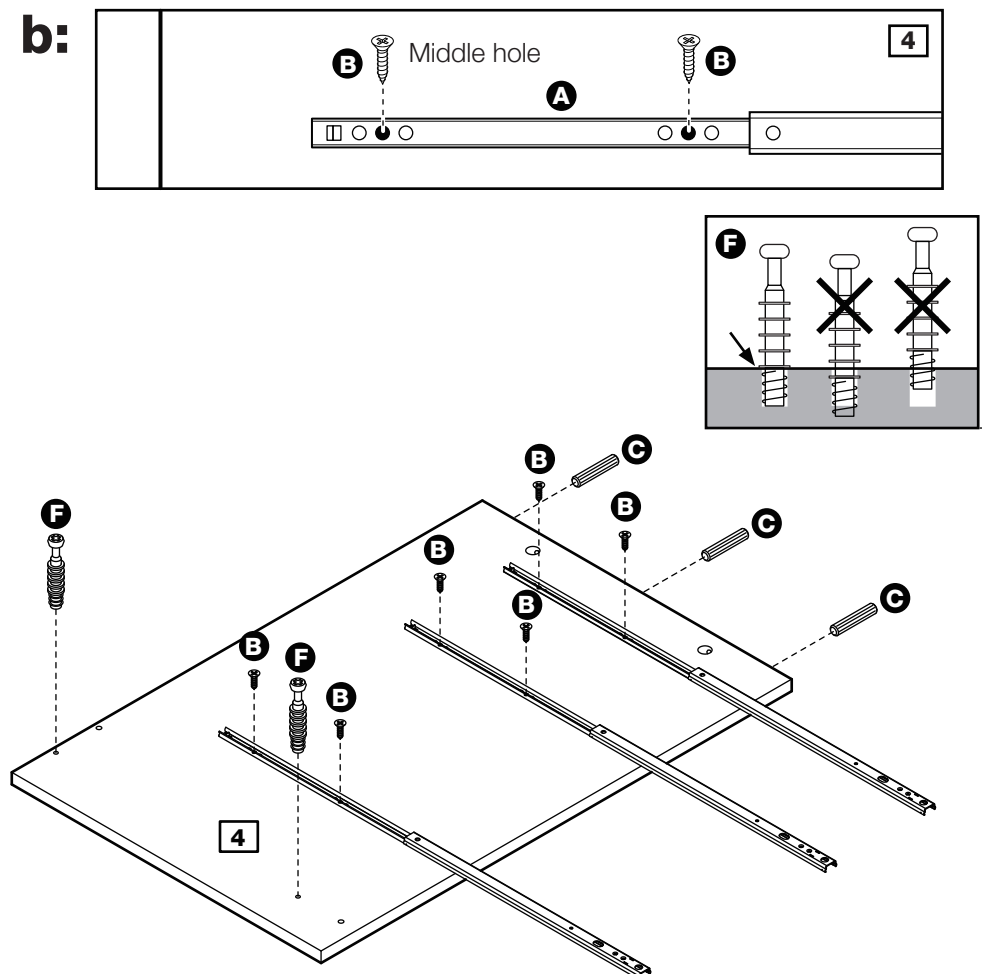


**b:** Slide top of Runners **A** forward and fix as shown using Screws **B**.

Insert Dowels **C** into the Right side panel **4**.

Screw Locking pins **F** into the Right side panel **4**.

**Note:** Insert locking pins as far as shown.  
**Do not over tighten.**



Continued on next page.

# Assembly Instructions

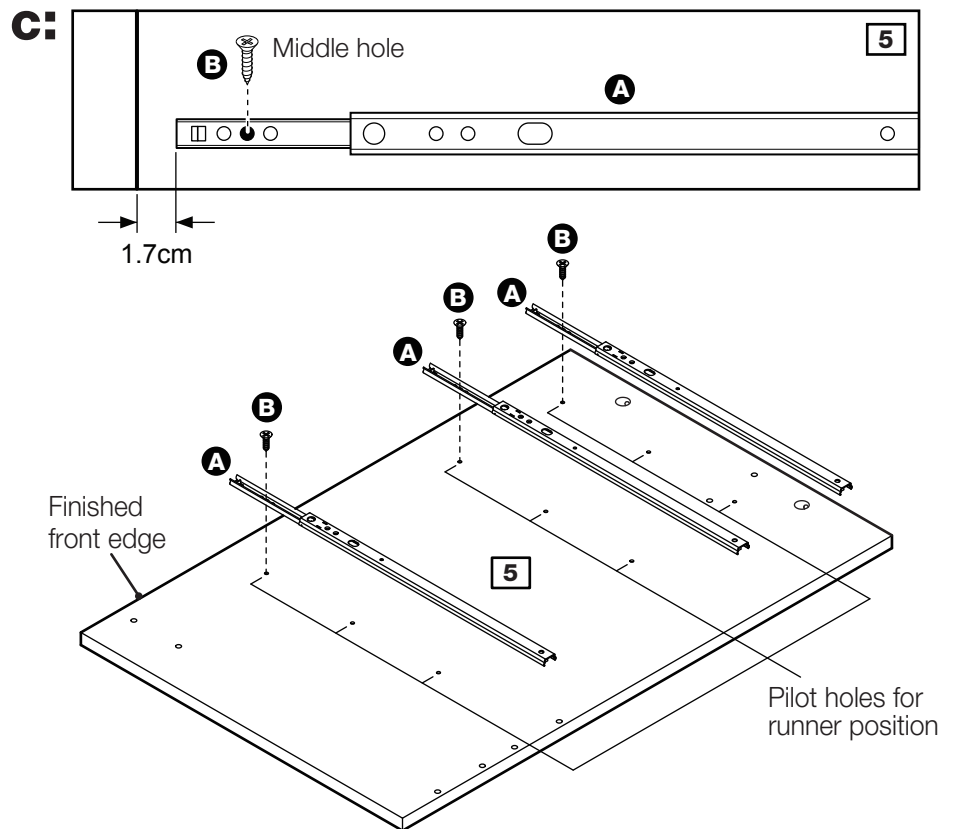
## Step 1 - continued

**c:** Position Runners **A** in front edge of the Middle panel **5**.

Slide top of the Runners **A** back.

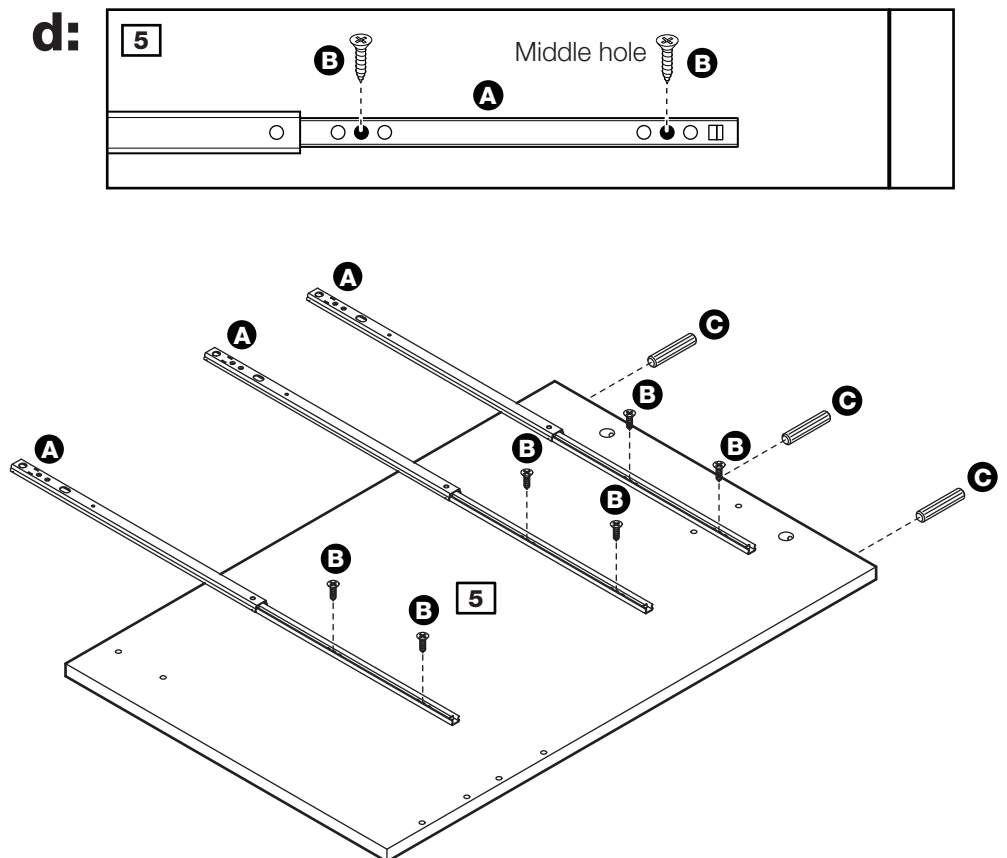
Use Screws **B** to fix the Runners **A** on the Middle panel **5**.

**Note:** The front part of the runner should be approximately 1.7cm from the front edge of the panel.



**d:** Slide top of Runners **A** forward and fix as shown using Screws **B**.

Insert Dowels **C** into the Middle panel **5**.



# Assembly Instructions

## Step 2

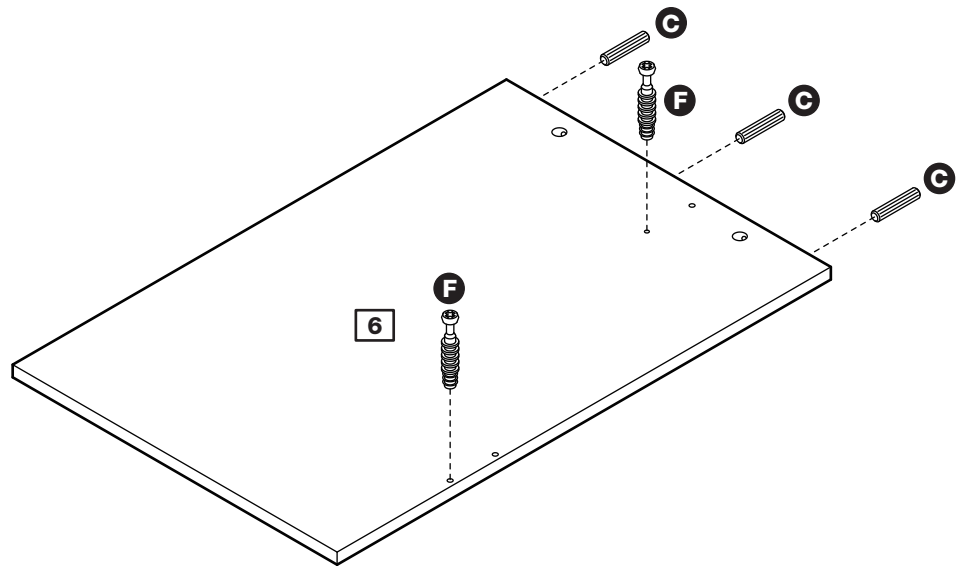
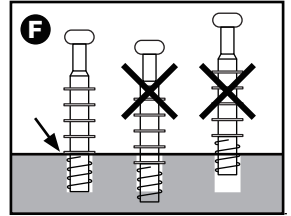
### Fitting dowels and locking pins

**a:** Insert Dowels **C** into the Left side panel **6**.

Screw Locking pins **F** into the Left side panel **6**.

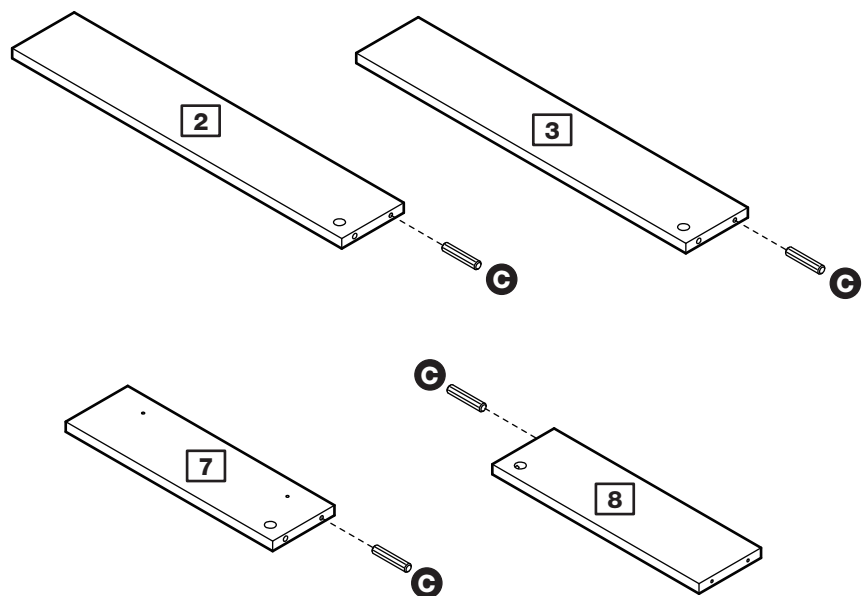
**Note:** Insert locking pins as far as shown.  
**Do not over tighten.**

**a:**



**b:** Insert Dowels **C** into the Top support **2**, Bottom support **3**, Front support **7** and Back support **8**.

**b:**



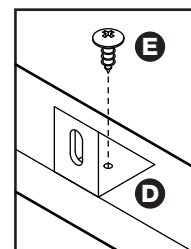
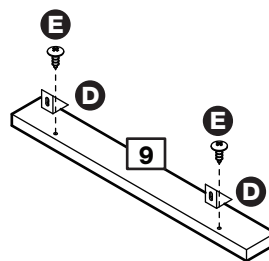
# Assembly Instructions

## Step 3

### Attaching plastic supports

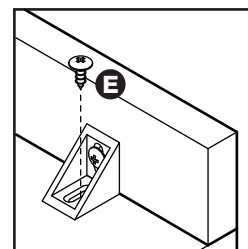
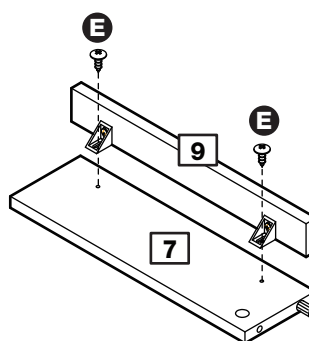
**a:** Use Screws **E** to fix Plastic supports **D** onto the Front panel **9**.

**a:**



**b:** Use Screws **E** to fix Front panel **9** onto the Front support **7**.

**b:**



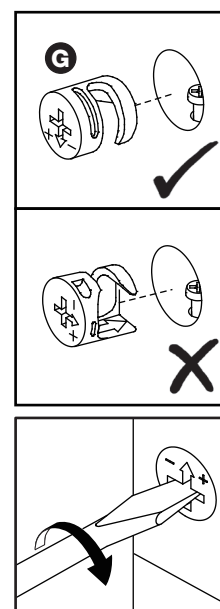
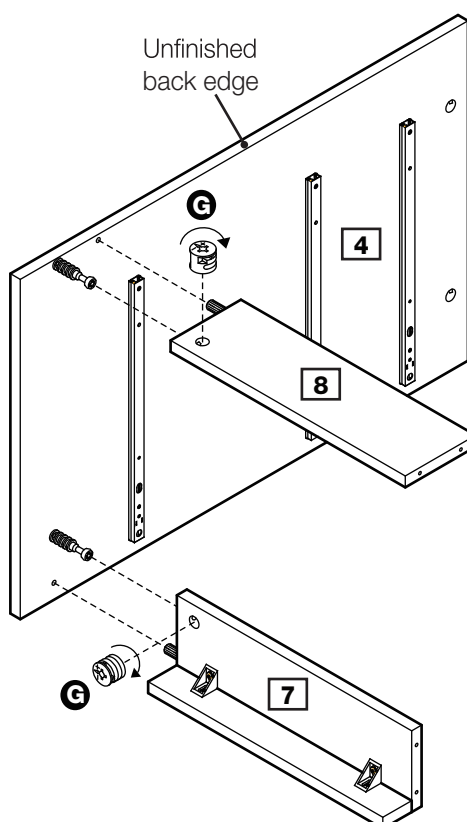
## Step 4

### Attaching bottom panel and back support

**a:** Position Front support **7** and Back support **8** onto the Right side panel **4**.

Insert Locking nuts **G** into the Front support **7** and Back support **8**.

Use a screwdriver to turn Locking nuts **G** clockwise to lock.





# Assembly Instructions

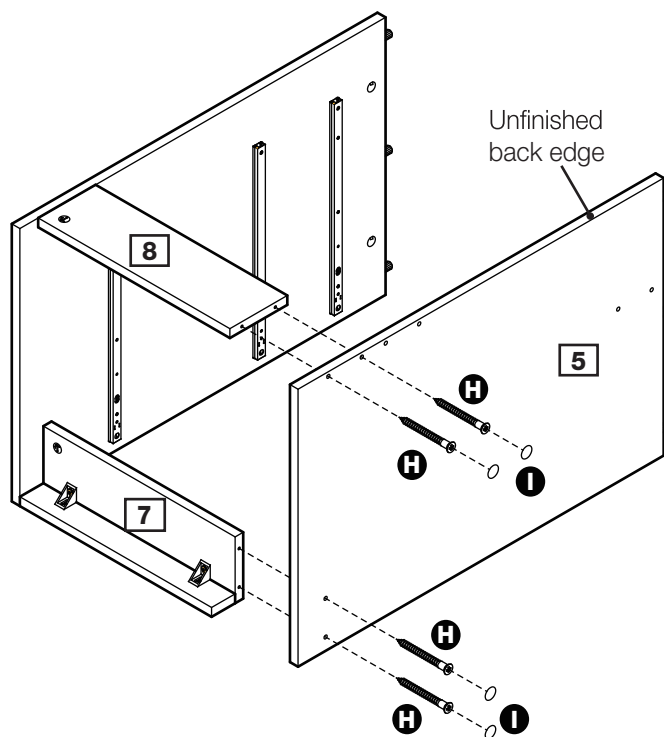
## Step 5

### Attaching middle panel

**a:** Use Screws **H** to fix Middle panel **5** onto the unit.

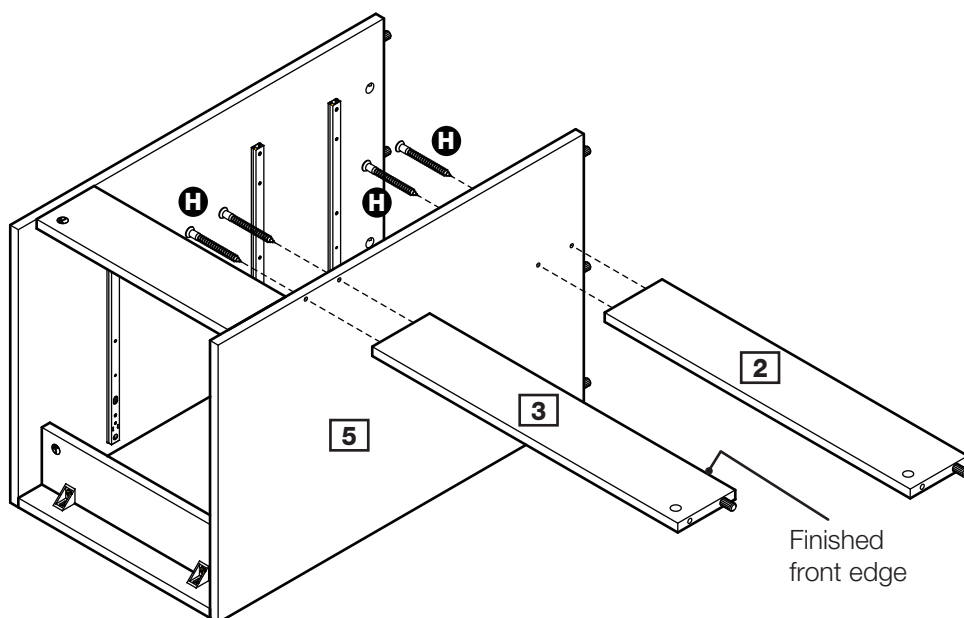
Use Screw covers **I** to cover the screw heads.

**a:**



**b:** Use Screws **H** to fix Top support **2** and Bottom support **3** onto the Middle panel **5**.

**b:**



# Assembly Instructions

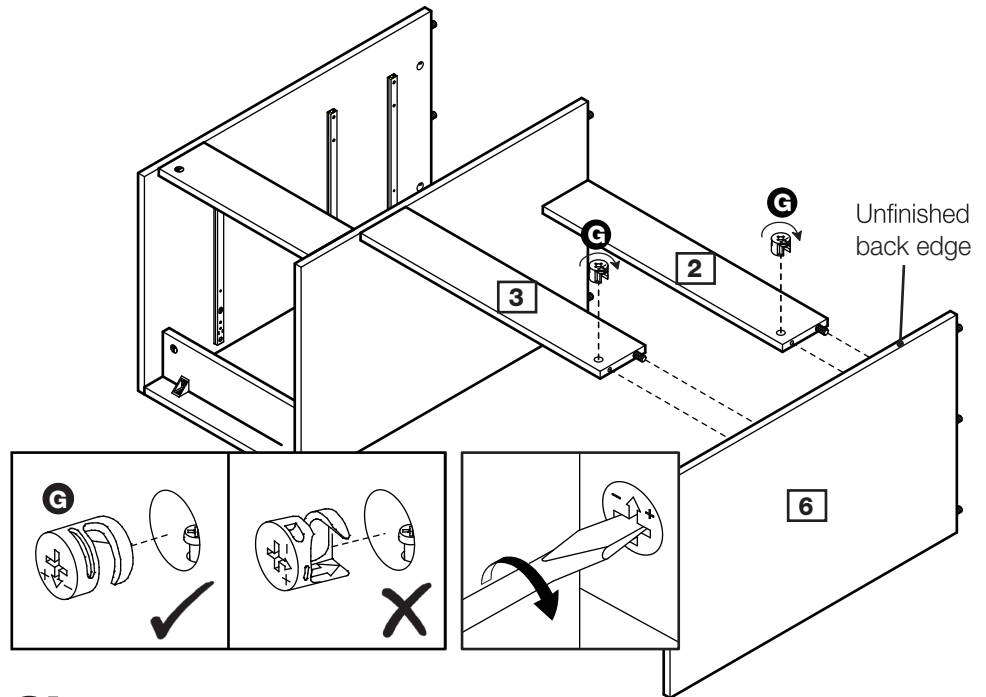
## Step 6

### Attaching left side panel

Position Left side panel **6** onto the unit.

Insert 2 Locking nuts **G** into the Top support **2** and Bottom support **3**.

Use a screwdriver to turn Locking nuts **G** clockwise to lock.



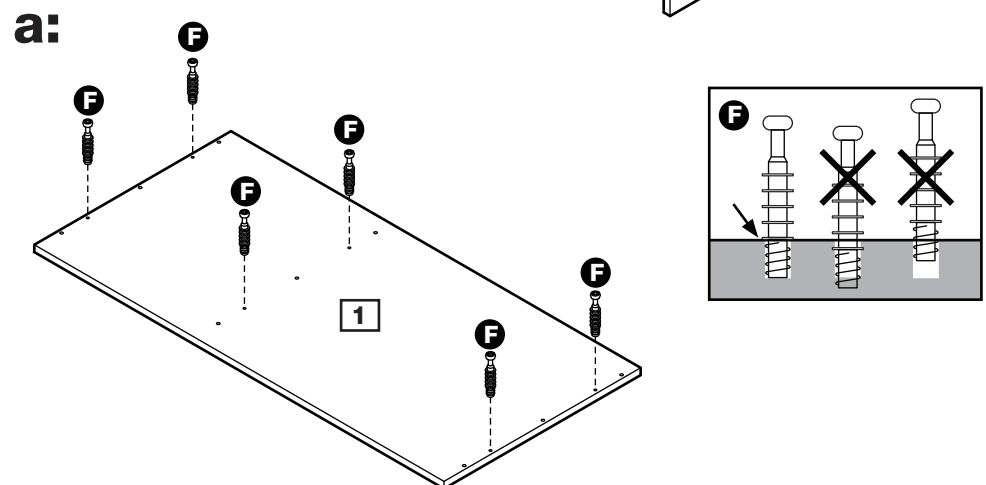
## Step 7

### Attaching table top

**a:** Screw Locking pins **F** into the Table top **1**.

**Note:** Insert Locking pins as far as shown.

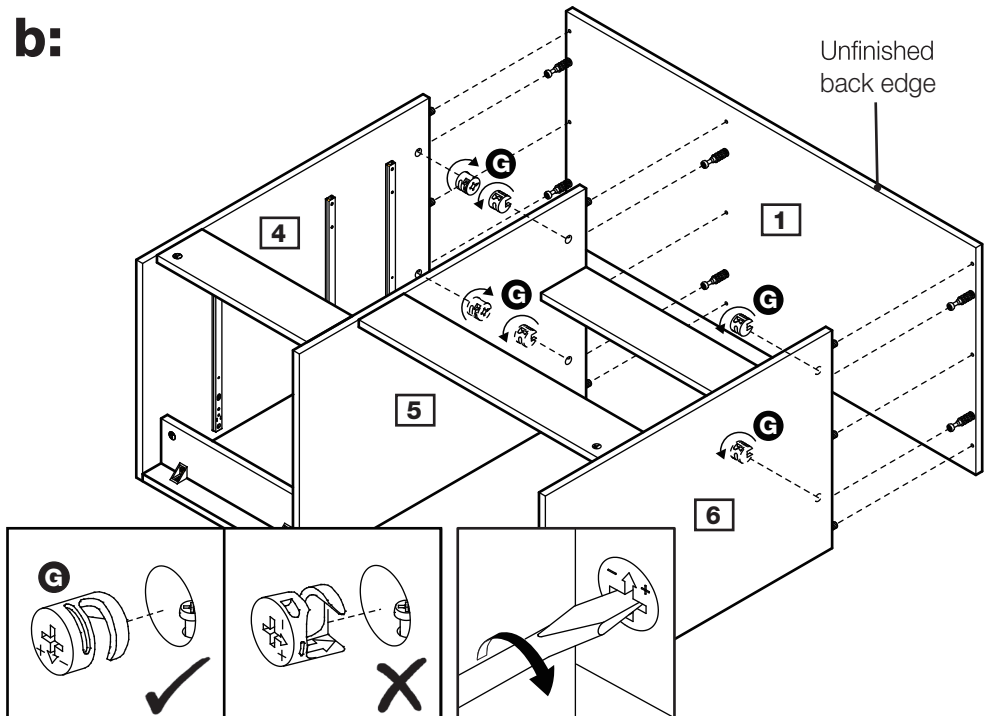
**Do not over tighten.**



**b:** Then carefully locate the Table top **1** onto the unit.

Insert 6 Locking nuts **G** into the unit.

Use a screwdriver to turn Locking nuts **G** clockwise to lock.



Continued on next page.



# Assembly Instructions

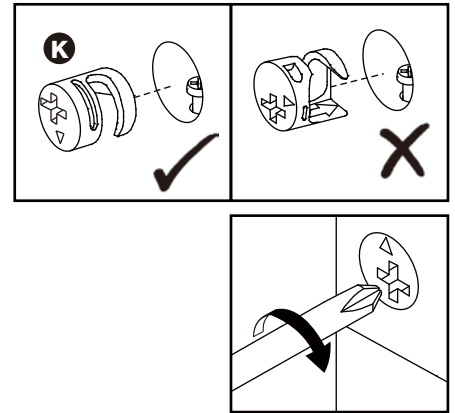
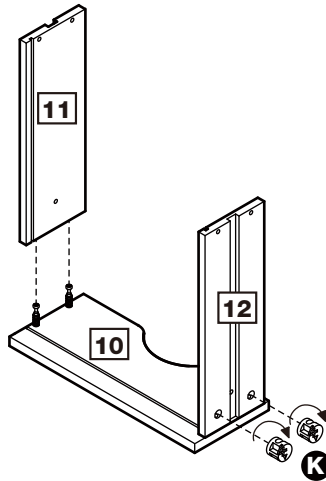
## Step 9 - continued

**c:** Fix Drawer right side **11** onto the Drawer front **10**.

Insert 2 Locking nuts **K** into the holes (they will only insert one way).

Use a screwdriver to turn Locking nuts **K** clockwise to lock.

**c:**



**X 2**

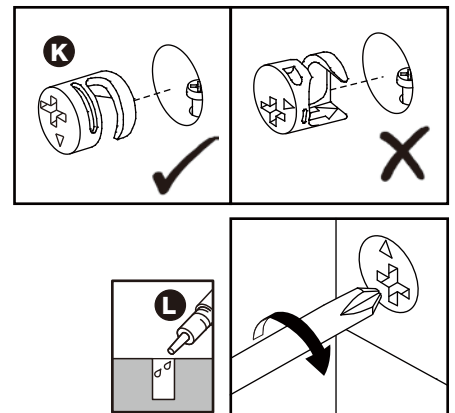
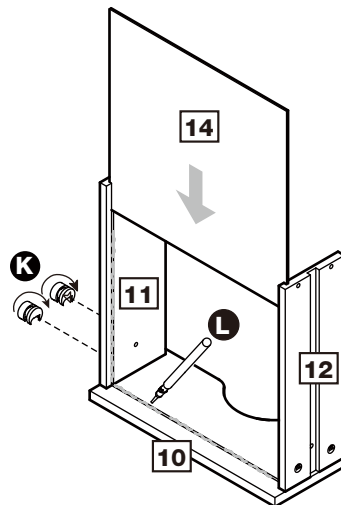
**d:** Insert 2 Locking nuts **K** into the holes (they will only insert one way).

Use a screwdriver to turn Locking nuts **K** clockwise to lock.

Place a small amount of Glue **L** into the grooves.

Carefully slide the Drawer bottom **14** into the grooves.

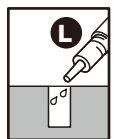
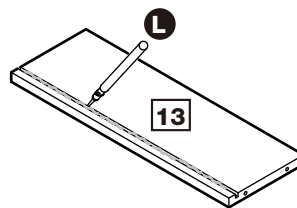
**d:**



**X 2**

**e:** Place a small amount of Glue **L** into the groove on the Drawer back **13**.

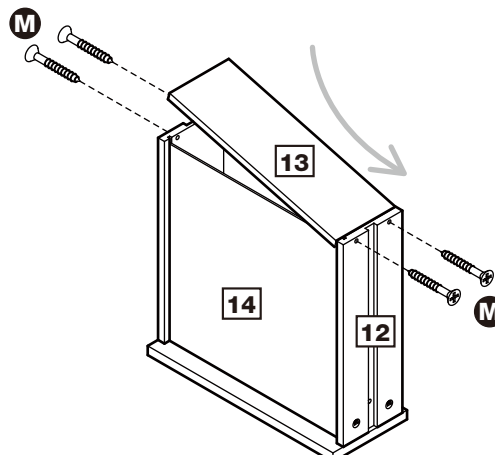
**e:**



**X 2**

**f:** Position the Drawer back **13** onto the unit using Screws **M**.

**f:**



**X 2**

# Assembly Instructions

## Step 10

### Large drawer assembly

**a:** Screw Locking pins **F** into 4 holes shown on back of the Large drawer front **15**.

**Note:** Insert Locking pins as far as shown.  
**Do not over tighten.**

**b:** Fix Large drawer left side **17** onto the Large drawer front **15**.

**c:** Fix Large drawer right side **16** onto the Large drawer front **15**.

Insert 2 Locking nuts **K** into the holes (they will only insert one way).

Use a screwdriver to turn Locking nuts **K** clockwise to lock.

**d:** Insert 2 Locking nuts **K** into the holes (they will only insert one way).

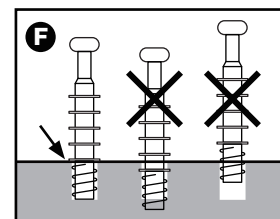
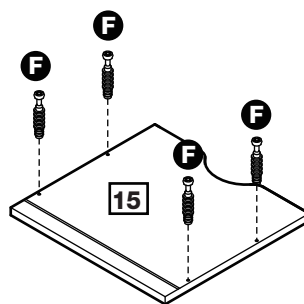
Use a screwdriver to turn Locking nuts **K** clockwise to lock.

Place a small amount of Glue **L** into the grooves.

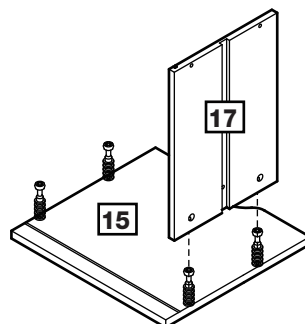
Carefully slide the Drawer bottom **14** into the grooves.

Continued on next page.

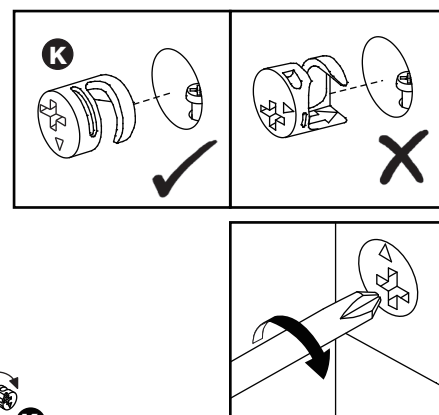
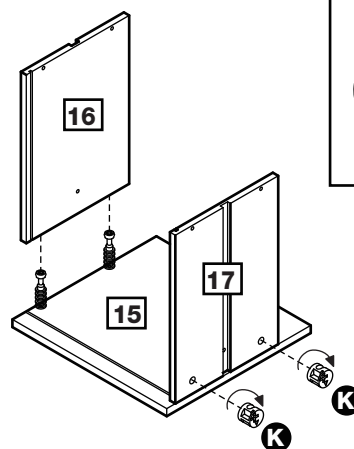
**a:**



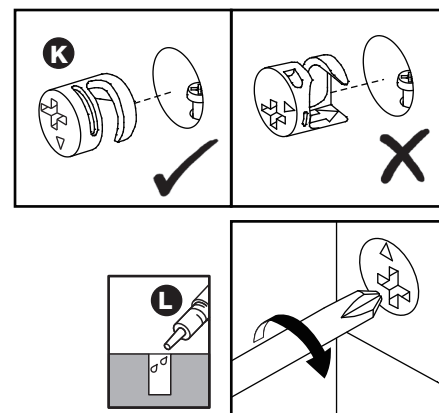
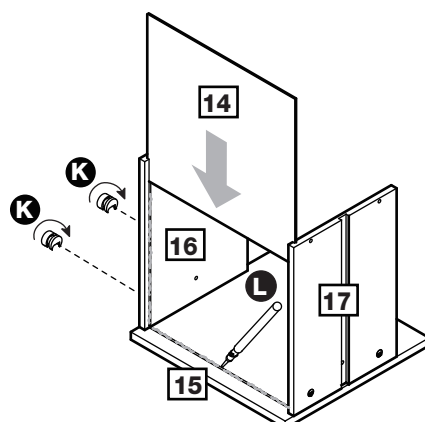
**b:**



**c:**



**d:**

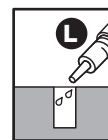
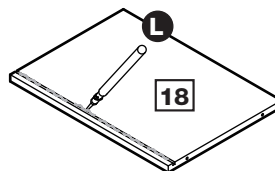


# Assembly Instructions

## Step 10 - continued

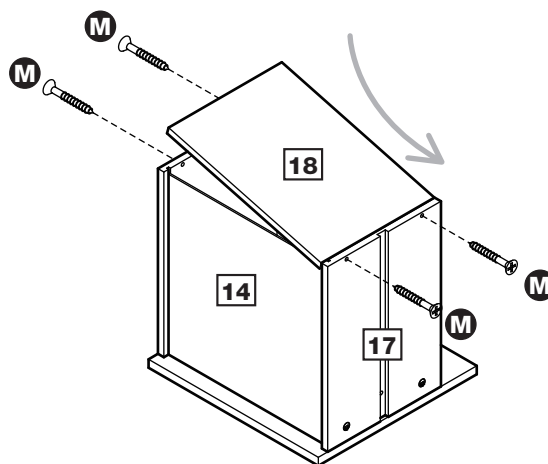
**e:** Place a small amount of Glue **L** into the groove on the Large drawer back **18**.

**e:**



**f:** Position the Large drawer back **18** onto the unit using Screws **M**.

**f:**



## Step 11

### Inserting large drawer

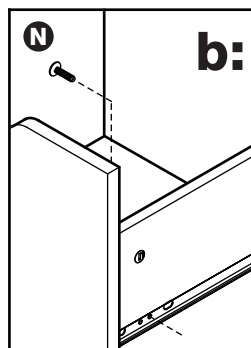
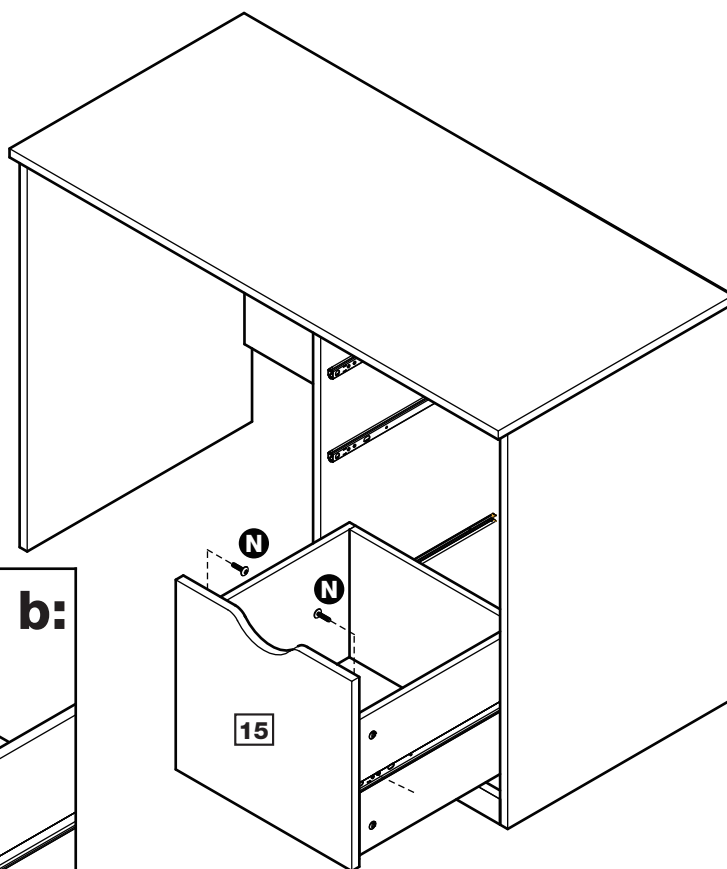
With help, carefully stand desk upright.



**Warning:**  
The Desk is heavy.  
Lift with care.

**a:** Slide the drawer fully onto the runners so the runners butt up against the back of the drawer front.

**a:**



**b:** Fix through drawer sides into the runners using Screws **N**.

# Assembly Instructions

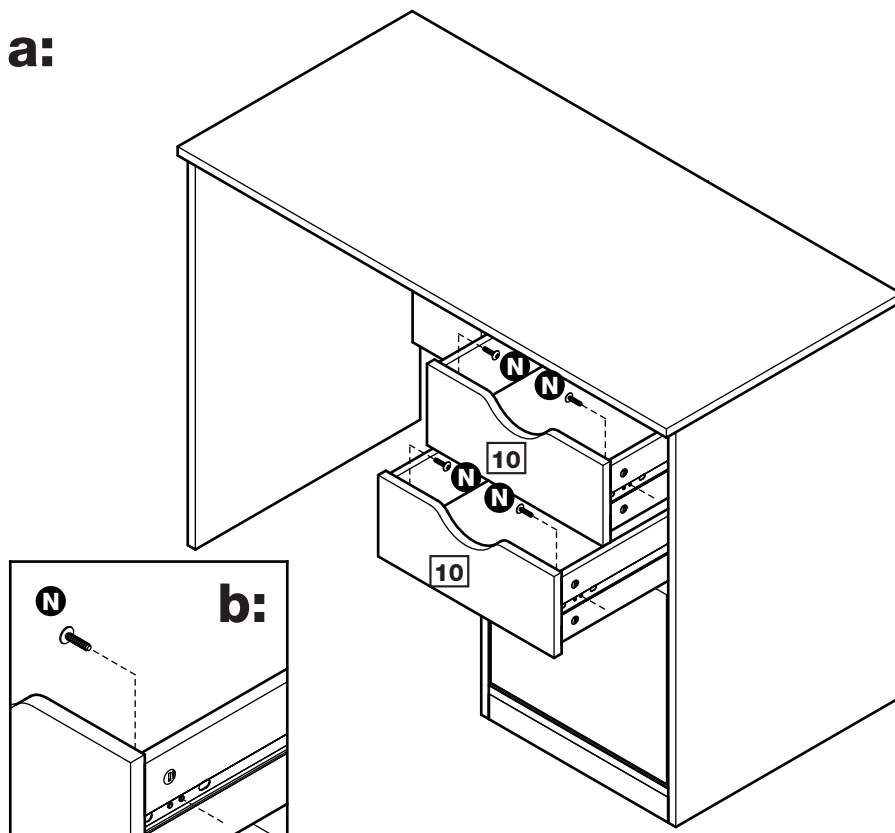
## Step 12

### Inserting drawers

**a:** Slide the drawer fully onto the runners so the runners butt up against the back of the drawer front.

**b:** Fix through drawer sides into the runners using Screws **N**.

**a:**



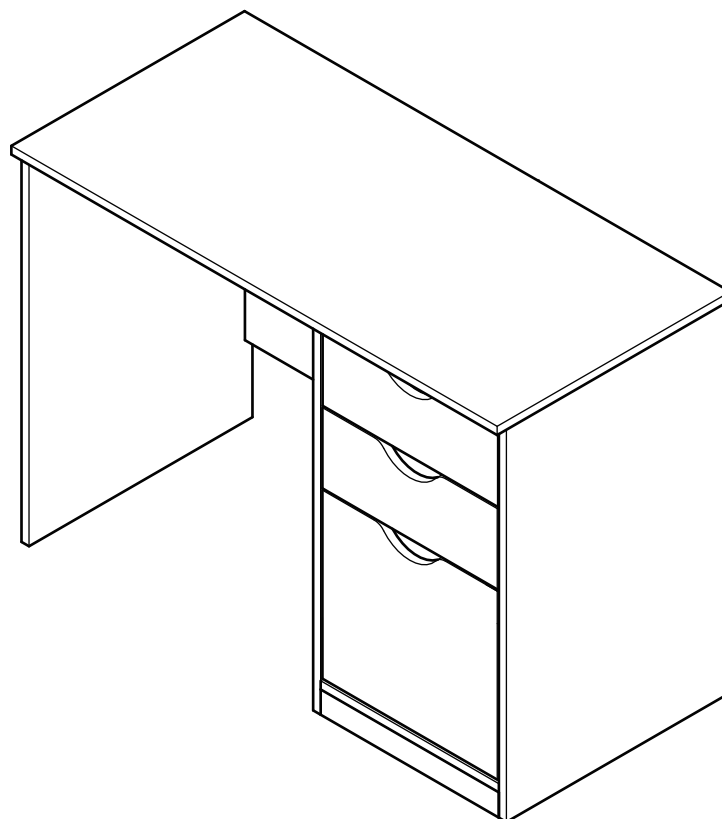
## Step 13

### Finishing the unit

With help, place the unit in the intended position.

**Note:** Before use allow the glue to dry for 24 hours and make sure the unit is secure.

**Assembly is complete.**



If you need help or have damaged or missing parts, call the **Customer Helpline:**  
**Argos = 0345 6400800**