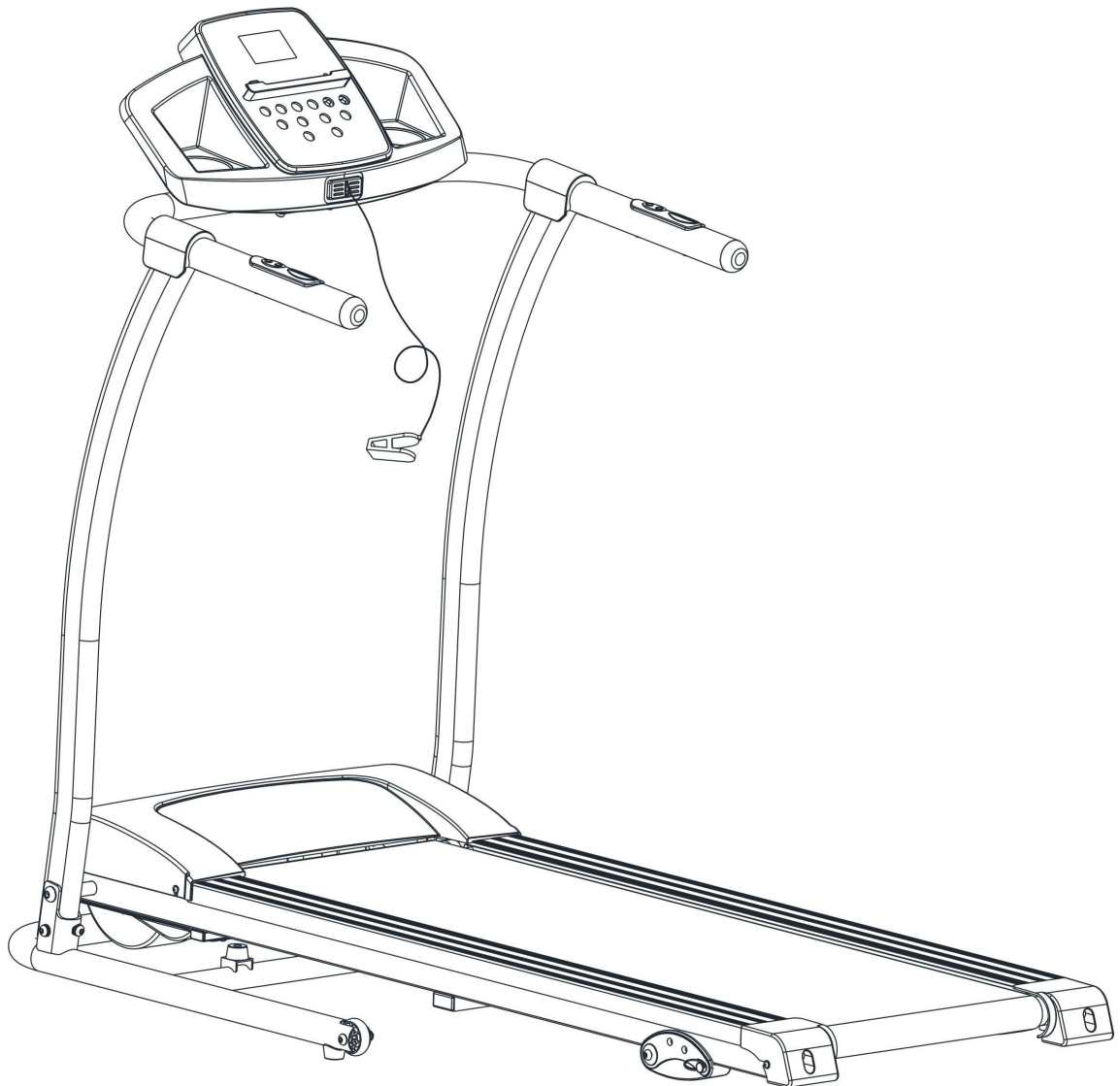


MOTORISED FOLDING TREADMILL

Assembly & User Instructions- Please keep for future reference

604/6848

opti



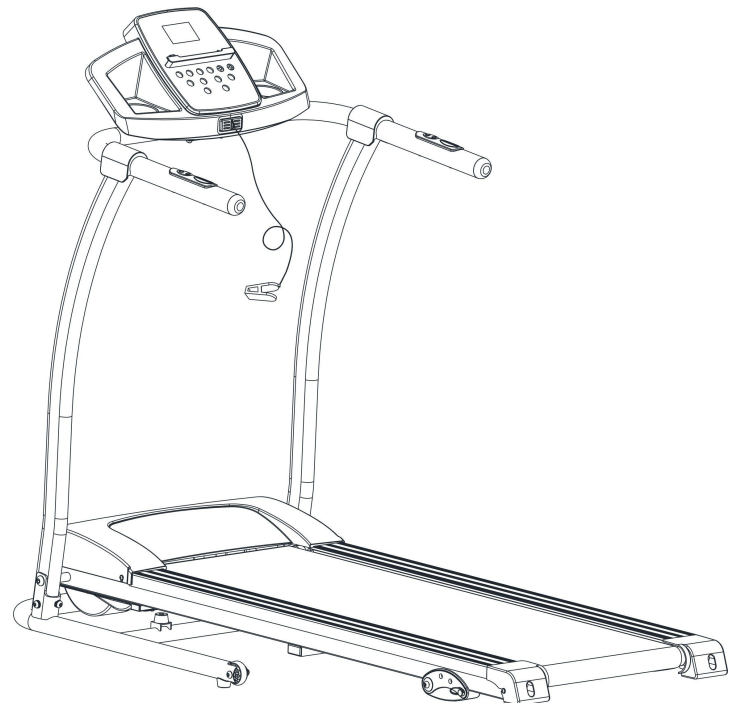
Important – Please read these instructions fully before assembly or use

These Instructions contain important information which will help you get best from your equipment and ensure safe and correct assembly, use and maintenance.

If you need help or have damaged or missing parts, call the **Customer Helpline: 0345 6001714** or visit **www.argos-support.co.uk**

Contents

Safety Information	2-3
Components-Parts	4
Components-Fixings	5
Assembly Instructions	6-10
Workout Area	11
Exercise Information	12-23
Before starting	12
Muscle Chart	13
Warming up and Cooling down	14-15
Getting Started	16
Console Operation	17-22
Folding mechanism and incline	23
Care and Maintenance	25-29
Exploded Parts Diagram	30
Parts List	31-32





Safety Information

Important – Please read fully before assembly or use

This exercise equipment is built for optimum safety. However, certain precautions apply whenever you operate a piece of exercise equipment. Be sure to read the entire manual before you assemble, operate or use this equipment.

Assembly

- The product must be installed on a stable and level surface. Do not place the treadmill on any surface that blocks air openings. To protect the floor or carpet from damage, place a mat under the treadmill.
- Assemble the item as close to its final position (in the same room) as possible.
- Make sure you have enough space to layout the parts before starting.
- Keep children and animals away from the exercise area, small parts could pose a choking hazard if swallowed.
- Dispose of all packaging carefully and responsibly.
- Check you have all the components and tools listed in the parts list, bearing in mind that, for ease of assembly, some components are pre-assembled.
- The assembly of this equipment is best carried out by 2 people.
- Attention! Take care when unboxing and assembling your treadmill.
- On unboxing, ensure the treadmill is flat on the floor (with the wheels in contact with the ground), before cutting the retaining cable ties on both sides of the product.
- Do not under any circumstance turn the machine on its side. Failure to follow these instructions could result in serious injury.

Using

- It is the responsibility of the owner to ensure that all users of this product are properly informed as to how to use this product safely.
- This product is intended for domestic use only. **Do not** use in any commercial, rental, or institutional setting.
- Use the equipment only for intended use, as described in this manual. Do not use attachments not recommended by the manufacturer.
- Keep this equipment indoors, away from moisture and dust. Do not put the equipment in a garage, outbuilding, covered patio, or near water.
- Your product is intended for use in clean dry conditions. You should avoid storage in excessively cold or damp places as this may lead

to corrosion and other related problems that are outside our control.

- Keep unsupervised children away from the equipment.
- Disabled persons should not use the equipment without a qualified person or doctor in attendance.
- Always wear appropriate workout clothing when exercising. **Do not** wear loose or baggy clothing, as it may get caught in the equipment. Wear trainers to protect your feet while exercising.
- **Do not** place any sharp objects around the equipment.
- Keep hands away from all moving parts.
- If any of the adjustment devices are left projecting, they could interfere with the user's movement.
- Before using the equipment to exercise, always perform stretching exercises to properly warm up.
- Only one person at a time should use the equipment.
- A spotter is recommended during exercise.
- If the user experiences dizziness, nausea, chest pain, or other abnormal symptoms **stop the workout and seek immediate medical attention.**
- Injuries to health may result from incorrect or excessive training.
- This product is suitable for a maximum user weight of: **100kg**.
- This product conforms to: BS EN ISO 20957-1 and BS EN 957-6 Class (H) - Home Use - Class (C).
- A folded treadmill should not be operated.
- Ensure the running surface comes to a complete stop before folding.
- The A-weighted emission sound pressure level is from 50 to 60 dBa.



Safety Information

- Noise emission under load is higher than without load.
- When choosing a location for the equipment make sure that the location and position permit access to a plug.
- Do not operate this equipment where aerosol products are used or where oxygen is being administered.
- When connecting the power cord, plug the power cord into a grounded circuit. When replacing the fuse, an approved BS 1362 type should be fitted to the fuse carrier, A13 amp fuse should be used. No other appliance should be on the same circuit.
- Keep the power cord away from any heated surface.
- Do not operate the equipment if the power cord or plug is damaged, or if the equipment is not working properly.
- Never start the treadmill when you are standing on the running belt. Stand on the side rail, hold the handrails, start on a low speed and then step on the unit. When comfortable increase the speed to one that you are comfortable with.
- The treadmill is capable of high speeds. Adjust the speed in small increments to avoid sudden changes in speed.
- Never leave the treadmill unattended while it is running. Always remove the safety key when the treadmill is not in use.
- Always examine your treadmill before use to ensure all parts are in working order.
- Never insert any object or body parts into any opening.



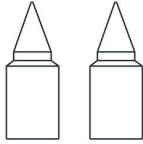
Warning: Before beginning any exercise program, consult your Doctor. This is especially important for persons over the age of 35 or persons with pre-existing health problems. You **MUST** read all instructions before using any fitness equipment. Argos and its associates assumes no responsibility for personal injury or property damage sustained by or through the use of this product. Over exercising may result in serious injury or death. If you feel faint stop exercising immediately. Warning! Heart rate monitoring systems may be inaccurate. For the most accurate heart rate measure, please hold both hand pulse sensors continuously during any programme.

Components - Parts

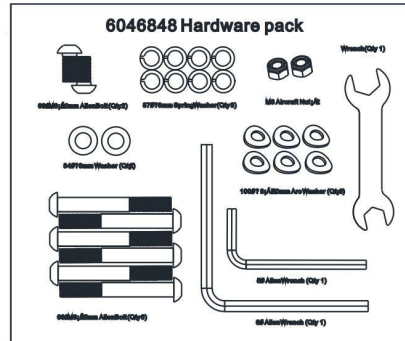
If you have damaged or missing parts, please call the **Customer Service: 0345 600 1714**

Please check you have all parts listing below

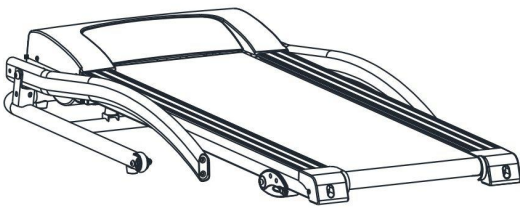
Note: Some of the smaller components may be pre-fitted to larger components. Please check carefully before contacting Argos regarding any missing components.



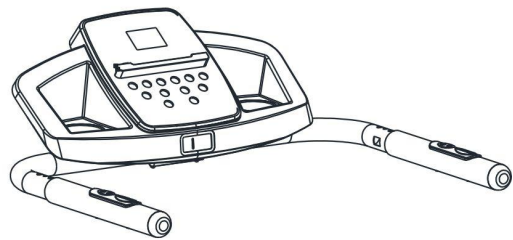
Lubricating Oil



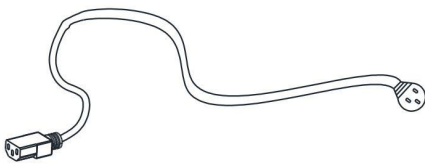
Hardware pack



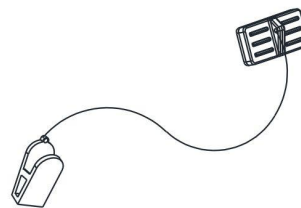
Main Frame



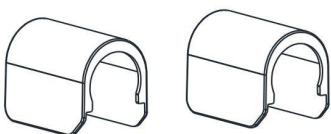
Console



45. Power cord



54. Safety Switch



18. Handle Cover










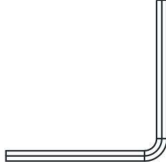

31. Knob

Components - Fixings

Please check you have all parts listing below

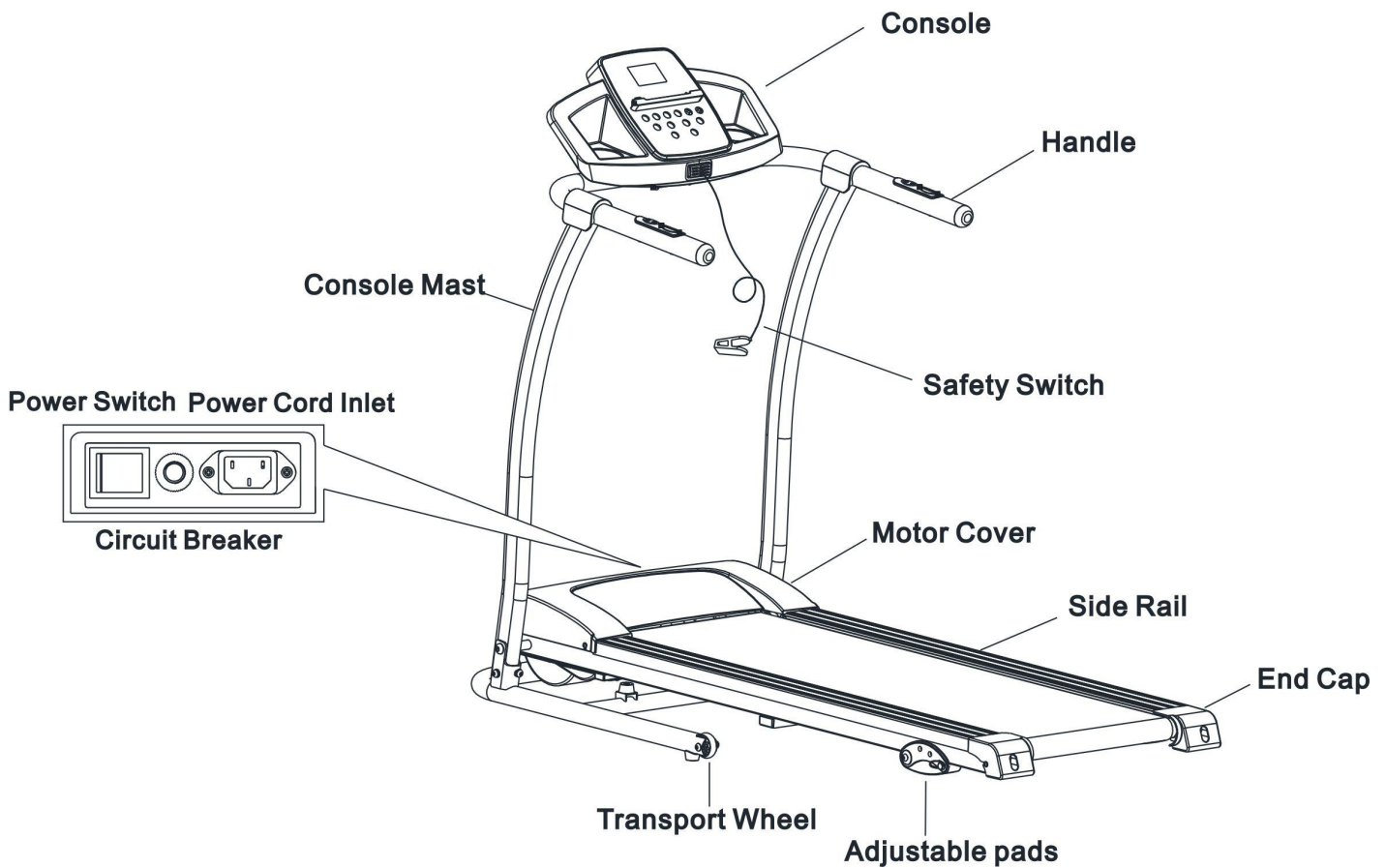


Note: The quantities below are the correct amount to complete the assembly. In some cases more hardware may be supplied than are required. Some of the fixings are pre-fitted to the larger components. Please check carefully before contacting Argos regarding any missing fixings.

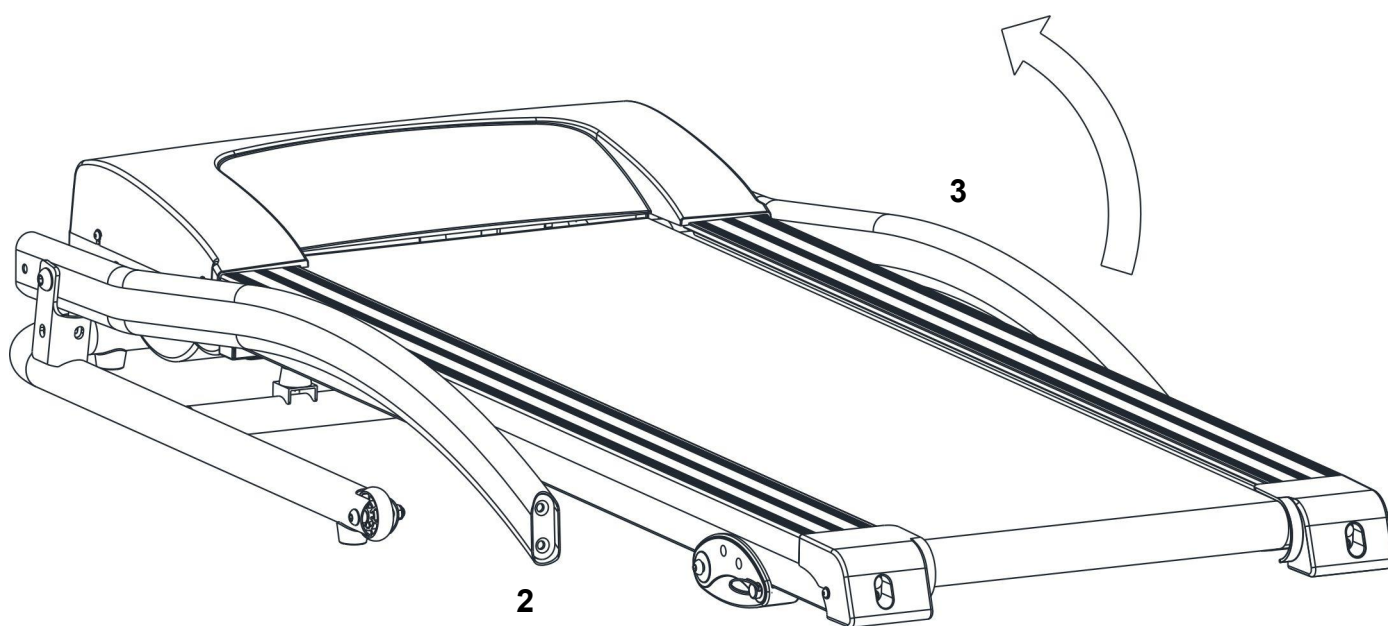
<p>58</p>  <p>55mm AllenBolt × 6</p>	<p>57</p>  <p>20mm AllenBolt × 2</p>	<p>60</p>  <p>8mm SpringWasher × 8</p>
<p>61</p>  <p>8mm Washer × 2</p>	<p>62</p>  <p>φ 8×R 20mm ArcWasher × 6</p>	<p>59</p>  <p>M8 Aircraft Nut × 2</p>
 <p>5# AllenWrench × 1</p>	 <p>6# AllenWrench × 1</p>	 <p>Wrench × 1</p>

Assembly Instructions

Total mass of the product is 42kg. Total size of the equipment is (width) 71.7 cm × (depth) 156.7 cm × (height) 127.2cm.



Assembly Instructions



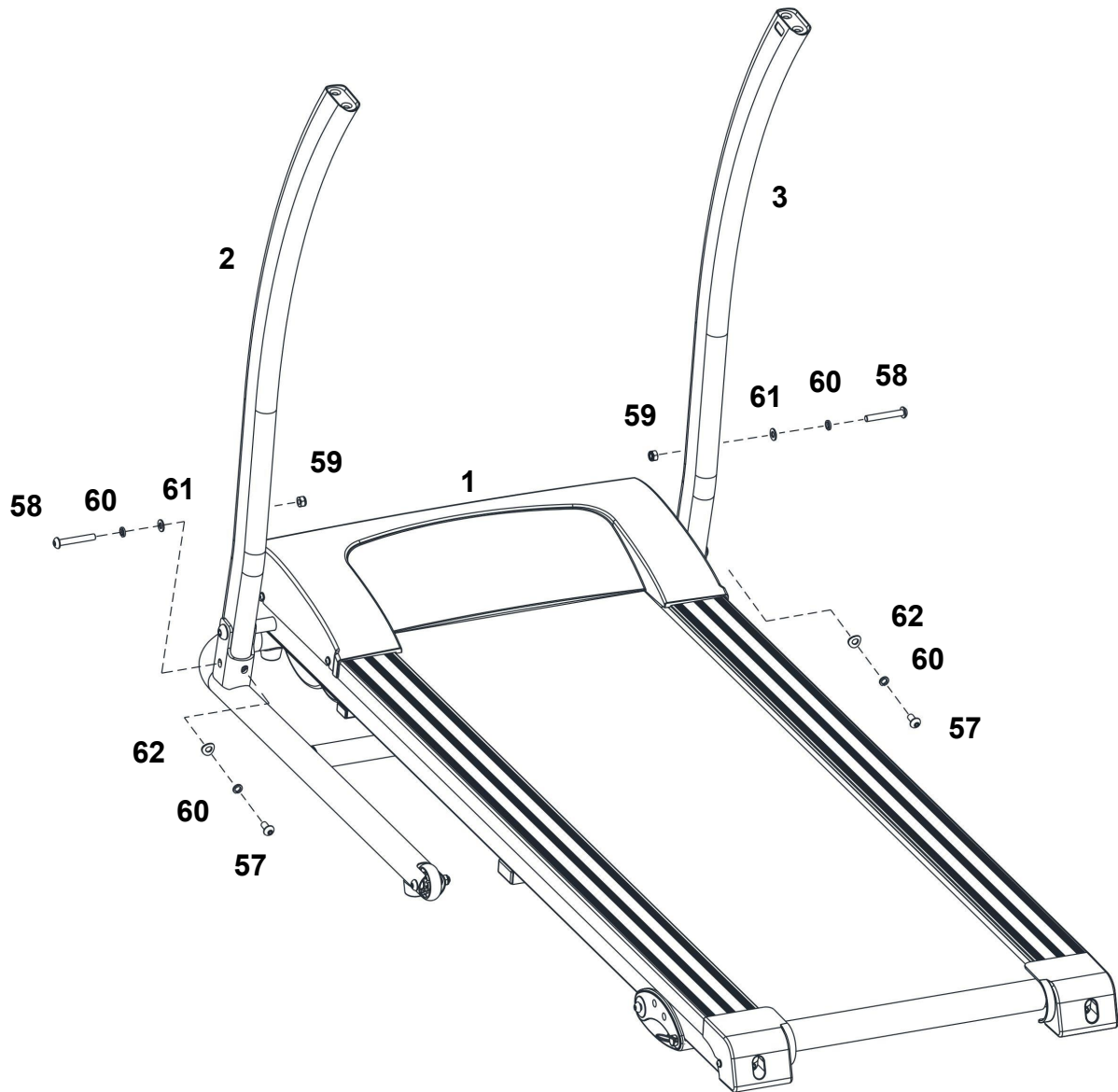
Step 1

a. Unpack the treadmill from the carton.

Note: The treadmill must be placed flat on the floor (with the wheels in contact with the floor) before cutting the retaining cable ties on both sides of the product.

b. Unfold the Left/Right Console Mast(2&3) as shown in the diagram.

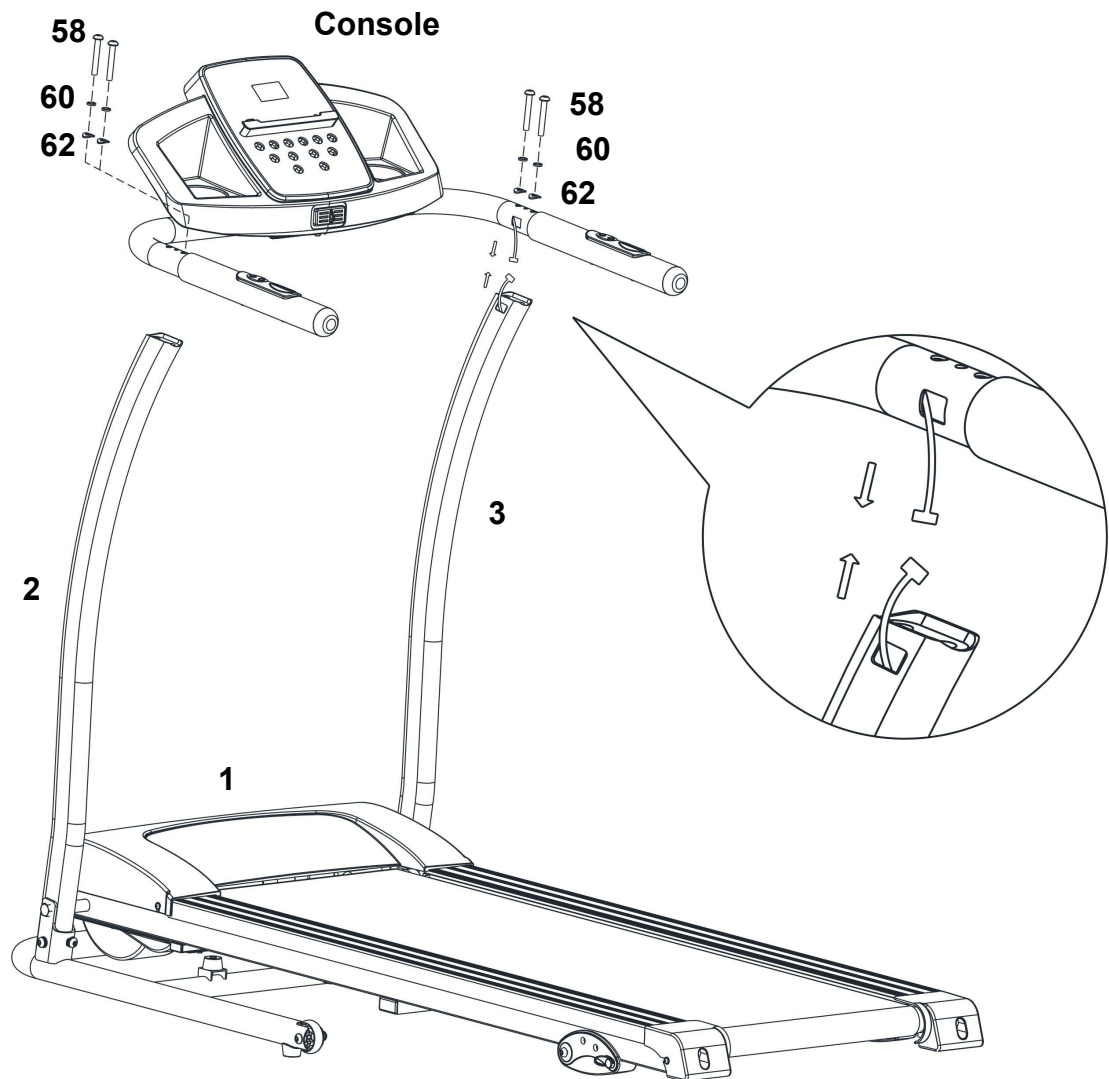
Assembly Instructions



Step 2

a. Fix the Left/Right Console Mast (2 & 3) to the Base Frame (1) with 2 x 20mm Allen Bolt (57) , 2 x 8mm Spring Washers (60) and 2 x $\Phi 8$ x R20mm Arc Washer (62). And with 2 x 55mm Allen Bolt (58), 2 x 8mm Spring Washers (60), 2 x 8mm Washer (61) and 2 x M8 Aircraft Nut (59) on both sides.

Assembly Instructions

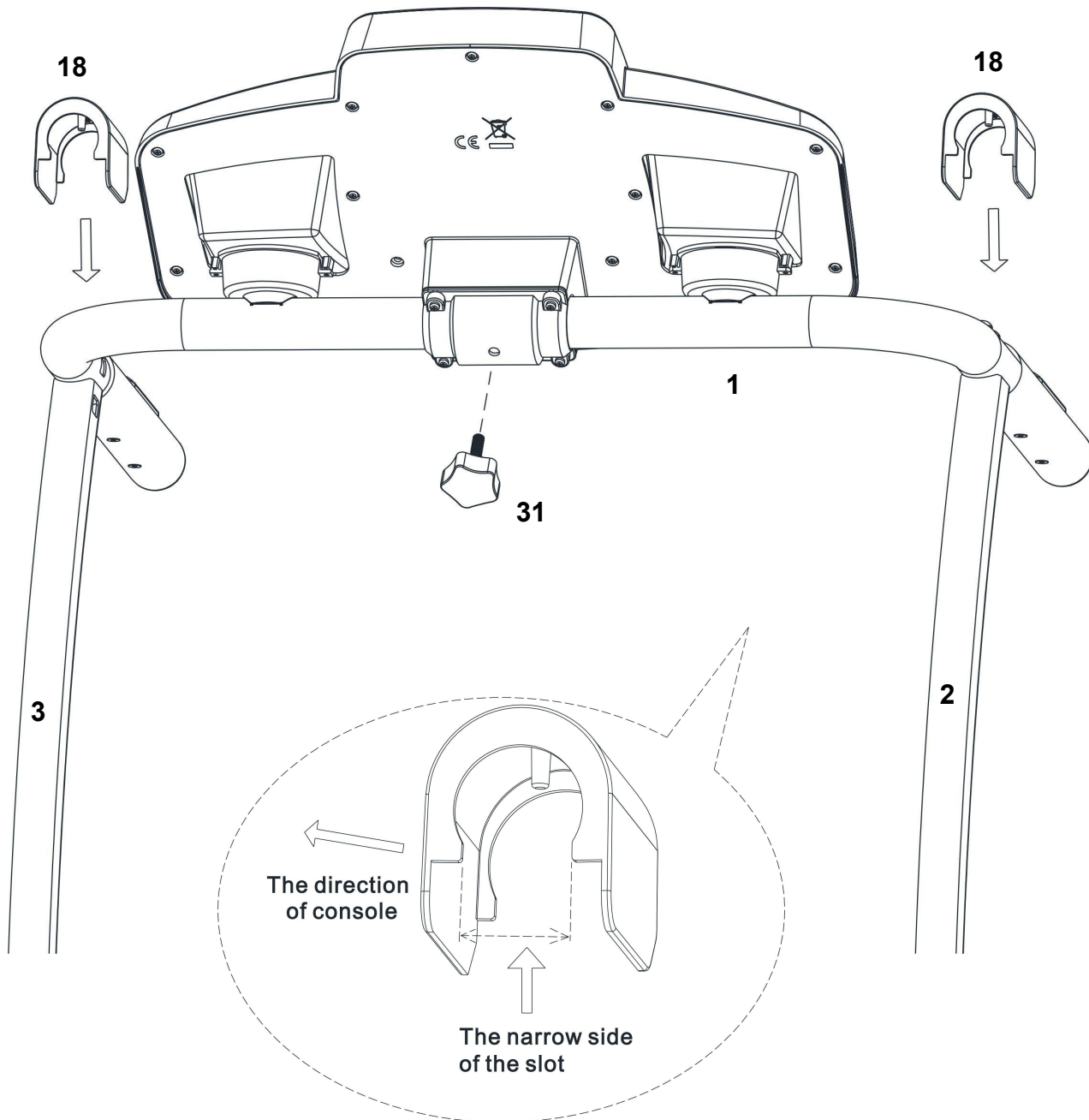


Step 3

a. Connect the wires as shown in the diagram, then insert the wires into the handles holes;

b. Fix each side of the Console to the two Console Mast (2 & 3) with 4 x 55mm Allen Bolt (58), 4 x 8mm Spring Washers (60) and 4 x $\Phi 8 \times R20$ mm Arc Washer (62).

Assembly Instructions

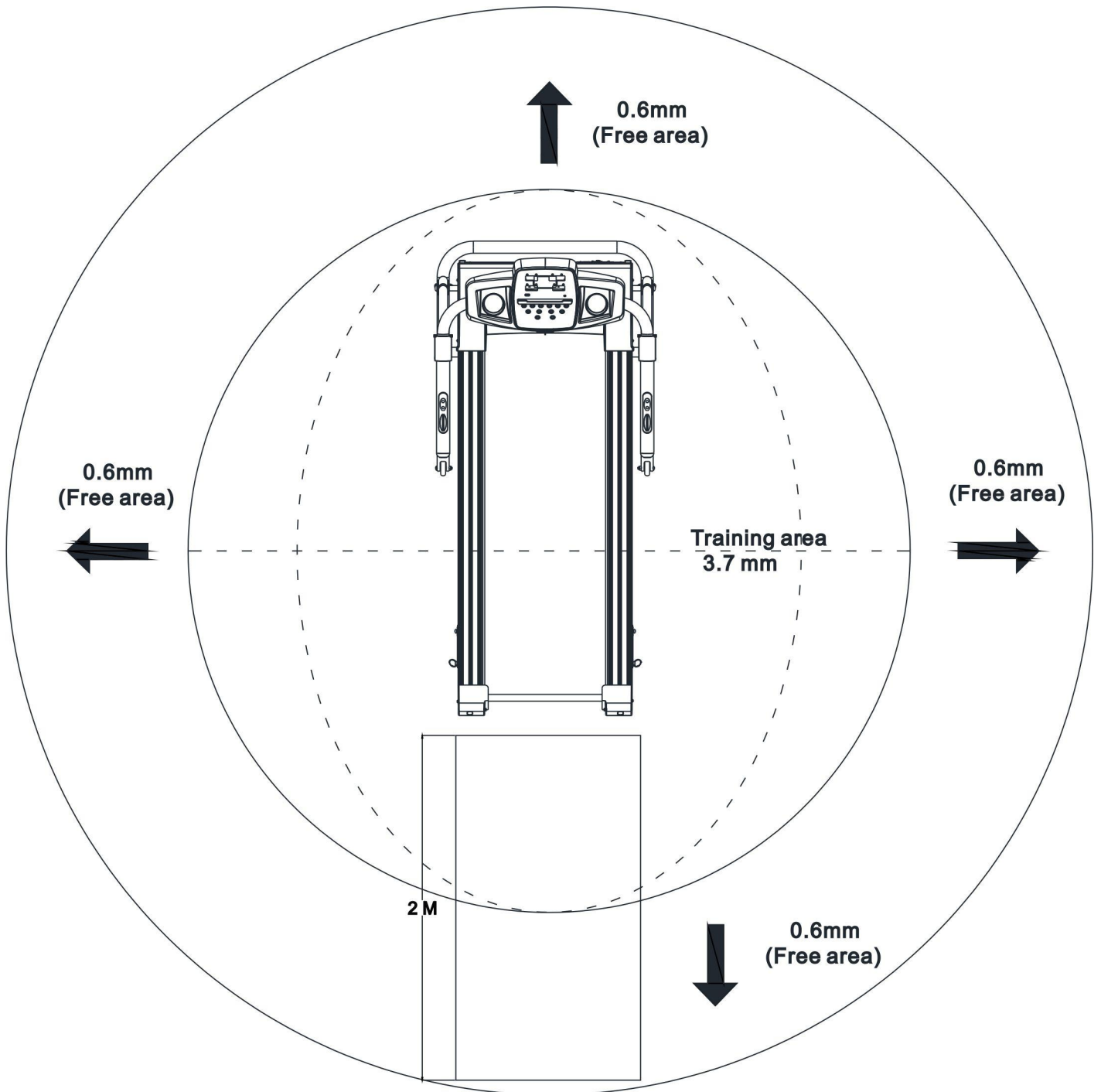


Step 4

- Fix the console to the handrail (1) with the Knob (31)
- Attach the 2 Handle Cover (18) on the handlebars as shown in the diagram.
- The narrow side of the slot points to the direction of console.

Workout Area

The free area must be at least 0.6m greater than the training area. This is a space where you can safely dismount, without obstruction, in case of an emergency. Where two pieces of equipment are positioned adjacent to each other the free area may be shared. The free area behind the treadmill should be 2m in length and double the width of the product.



Only one person should be within the training area when the equipment is in use.

Exercise Information

Before starting

Tailor your exercise program according to your physical condition. If you have been inactive for several years, or are overweight, you must start slowly and increase your time on the equipment; a few minutes per workout increase is advisable.

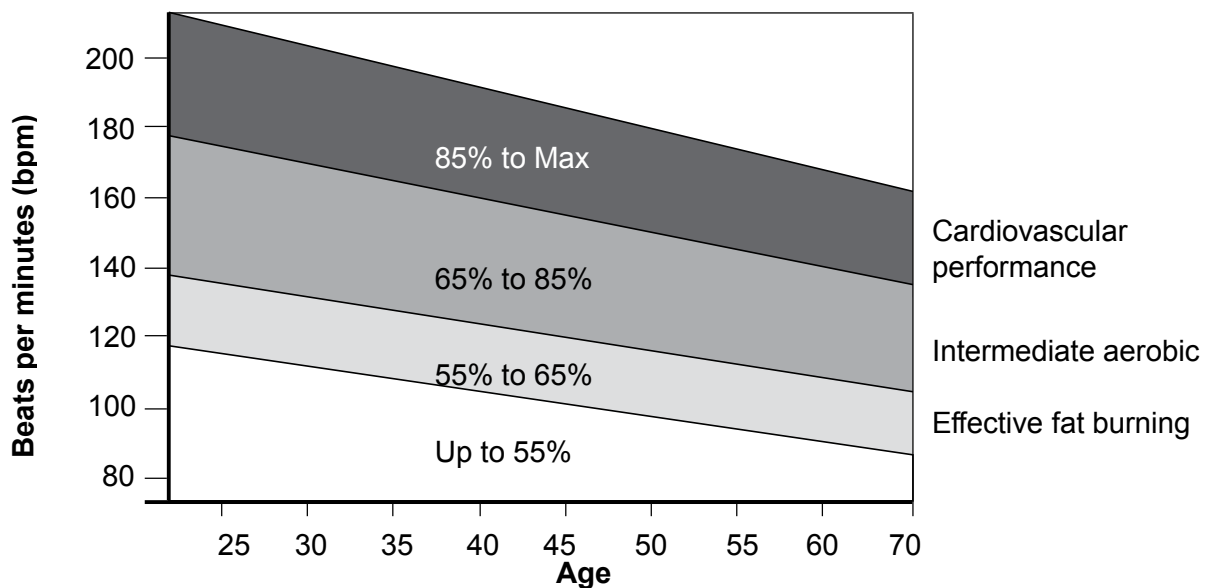
Initially, you may be able to exercise only for a few minutes in your target zone, however, your aerobic fitness will improve over the next six to eight weeks. Don't be discouraged if it takes longer. It's important to work at your own pace.

Please remember these essentials:

- Have your doctor review your training and diet programs to advise you of a workout routine you should adopt.
- Begin your training program slowly with realistic goals.
- Monitor your pulse frequently. Establish your target heart rate based on your age and condition.
- Set up your equipment on a flat even surface with adequate training area, as prescribed in this manual.

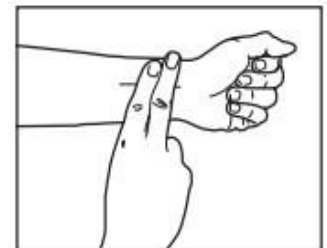
Exercise intensity

To maximize the benefits of exercising, it is important to exercise at an appropriate intensity. The intensity level can be found by using your heart rate as a guide. For effective aerobic exercise, your heart rate should be maintained at a level between 65% and 85% of your maximum heart rate as you exercise. This is known as your target zone. You can find your target zone in the table below.



During the first few months of your exercise program, keep your heart rate near the low end of your target zone as you exercise. After a few months, your heart rate can be increased gradually until it is near the middle of your target zone as you exercise.

To measure your heart rate, stop exercising but continue moving your legs or walking around and place two fingers on your wrist. Take a six-second heartbeat count and multiply the results by 10 to find your heart rate. For example, if your six-second heartbeat count is 14, your heart rate is 140 beats per minute. (A six-second count is used because your heart rate will drop rapidly when you stop exercising.) Adjust the intensity of your exercise until your heart rate is at the required level.



Muscle Chart

Aerobic Exercise

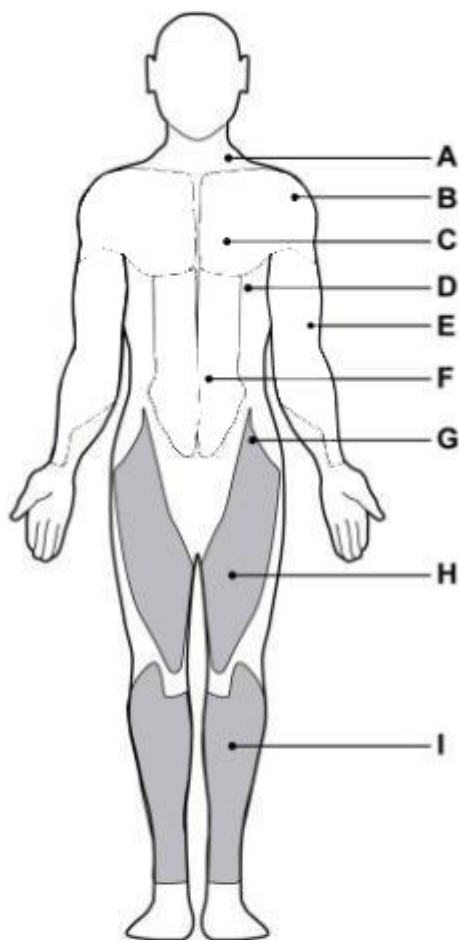
Aerobic exercise improves the fitness of your lungs and heart - your body's most important muscle. Aerobic exercise is promoted by any activity that uses your large muscles (arms, legs, or buttock, for example).

Weight Training

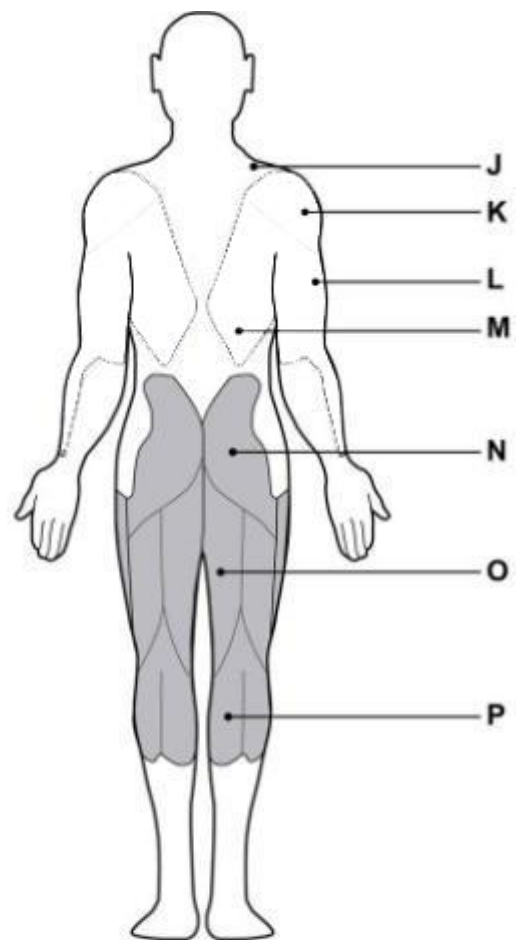
Along with aerobic exercising which helps get rid of and keep off the excess fat that our bodies can store, weight training is an essential part of an exercise routine. Weight training helps tone, build and strengthen muscle. If you are working above your target zone, you may want to do a lower number of reps.

Targeted Muscle Groups

The exercise routine that is performed on the treadmill will develop the lower body muscle groups. These muscle groups are highlighted on the muscle chart below.



Front



Back

- A:** Trapezius
- B:** Anterior Deltoid
- C:** Pectoralis Major
- D:** Serratus Anterior
- E:** Biceps
- F:** Abdominal
- G:** Sartorius
- H:** Quadriceps
- I:** Tibialis Anterior

- J:** Trapezius
- K:** Posterior Deltoid
- L:** Triceps
- M:** Latissimus Dorsi
- N:** Gluteals
- O:** Hamstrings
- P:** Gastrocnemius

Exercise Information

Warming up and Cooling down

Each workout should include the following three parts:

1. A warm up, consisting of 5 to 10 minutes of stretching and light exercise. A proper warm up increases your body temperature, heart rate and circulation in preparation for exercise.
2. Training zone exercise consisting of 20 to 30 minutes of exercising with your heart rate in your training zone. (**Note:** During the first few weeks of your exercise programmer, do not keep your heart rate in your training zone for longer than 20 minutes.)
3. A cool down, with 5 to 10 minutes of stretching. This will increase the flexibility of your muscles and will help to reduce post-exercise muscle soreness.

Exercise Frequency

To maintain or improve your fitness, plan three workouts each week with at least one day of rest between workouts. After a few months of regular exercise, you may complete up to five workouts each week, if desired. Remember, the key to success is to make exercise a regular and enjoyable part of your everyday life.

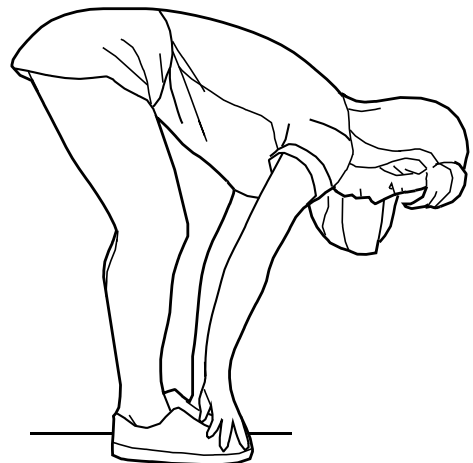
Toe touch stretch

Stand with your knees bent slightly and slowly bend forward from your hips. Allow your back and shoulders to relax as you reach down toward your toes as far as possible.

Hold 15 counts, and then relax.

Repeat 3 times.

Stretches: Hamstrings, back of knees and back.



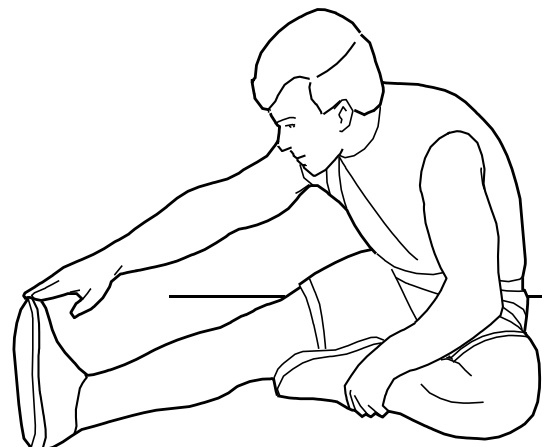
Hamstring stretch

Sit with one leg extended. Bring the sole of the opposite foot toward you and rest it against the inner thigh of your extended leg. Reach toward your toes as far as possible.

Hold for 15 counts, and then relax.

Repeat 3 times for each leg.

Stretches: Hamstrings, lower back and groin.



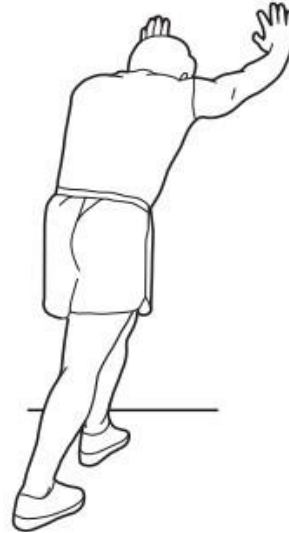
Calf / Achilles stretch

With one leg in front of the other, reach forward and place your hands against a wall. Keep your back leg straight and your back foot flat on the floor. Bend your front leg, lean forward and move your hips toward the wall.

Hold for 15 counts, and then relax.

Repeat 3 times for each leg. To cause further stretching of the Achilles tendons, bend your back leg as well.

Stretches: Calves, Achilles Tendons and Ankles.



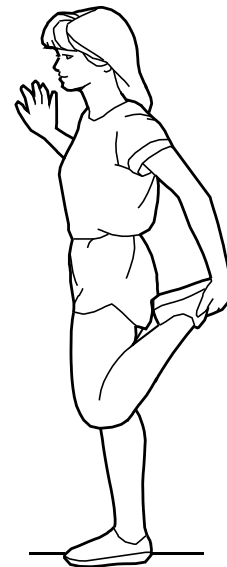
Quadriceps stret

With one hand against the wall for balance, reach back and grasp one foot with your other hand. Keeping your bent knee pointing directly downward towards the floor, gently pull your heel towards your buttock until you feel a gentle stretch in the target area.

Hold for 15 counts, and then relax.

Repeat 3 times for each leg.

Stretches: Quadriceps and Hip muscles.



Inner thigh stretch

Sit with the soles of your feet together and your knees outward. Pull your feet toward your groin area as far as possible.

Hold for 15 counts, and then relax.

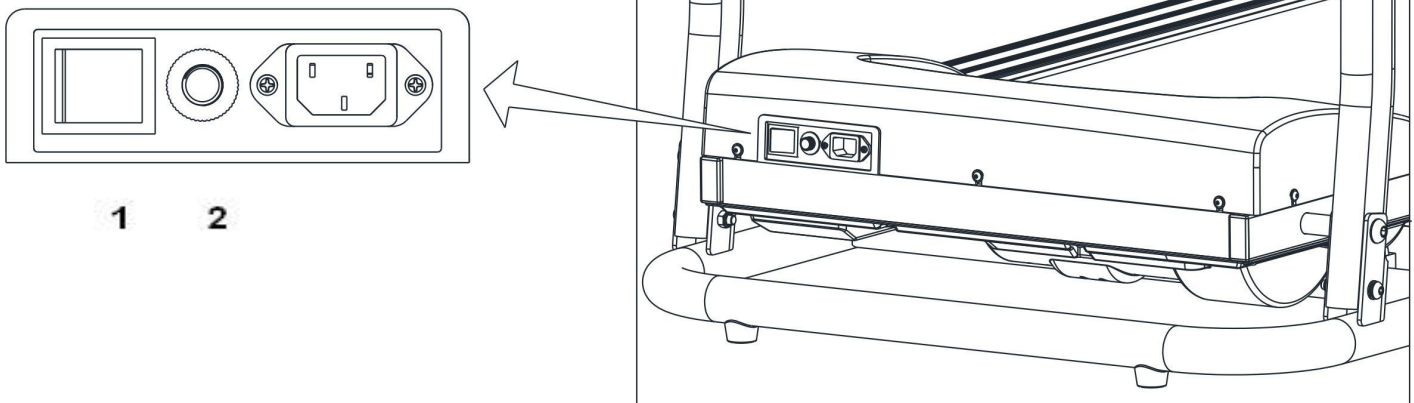
Repeat 3 times.

Stretches: Quadriceps and Hip muscles.



Exercise Information

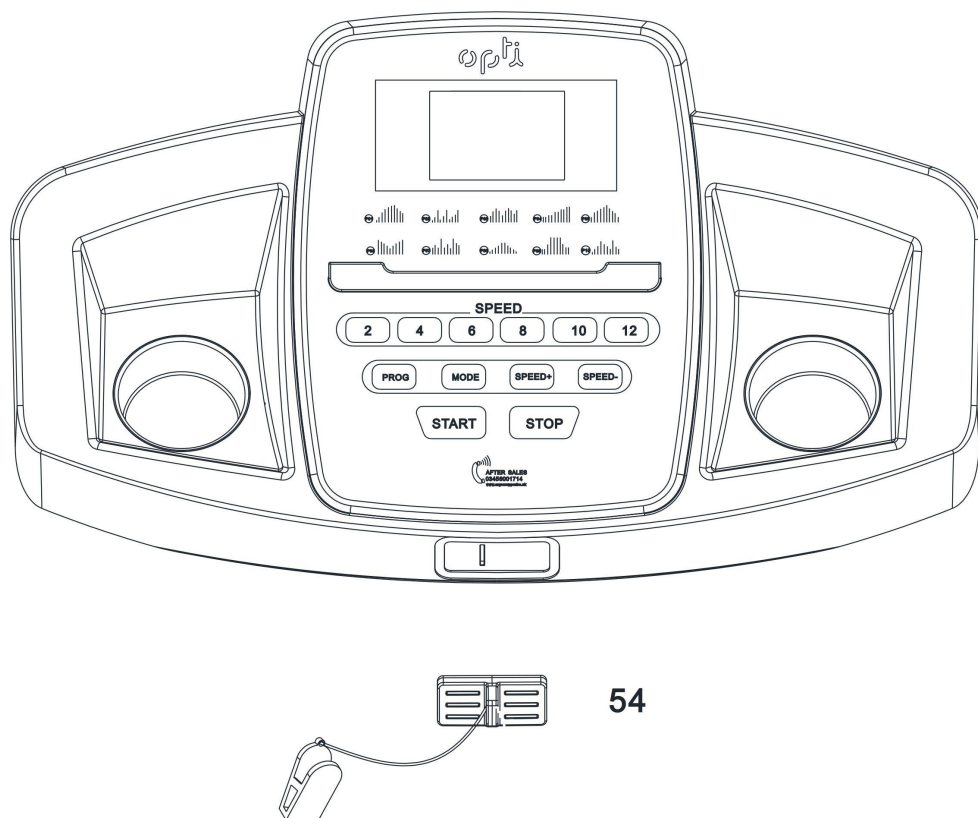
Getting Started



Plug in the mains power and turn on the switch (1).
You will hear a beep and the screen of the Computer will light up.

OVER-CURRENT PROTECTOR:

There is an over-current protector (2) located on the right side of the switch (1) (see above picture); in case of short circuit or over-current, the Button of the over current protector will pop up and the treadmill will power off; please unplug the power source and push down the button, Plug the machine back in and then turn on the switch to restart your treadmill. If the button pops up again, please contact the Customer Helpline 0345 600 1714 .



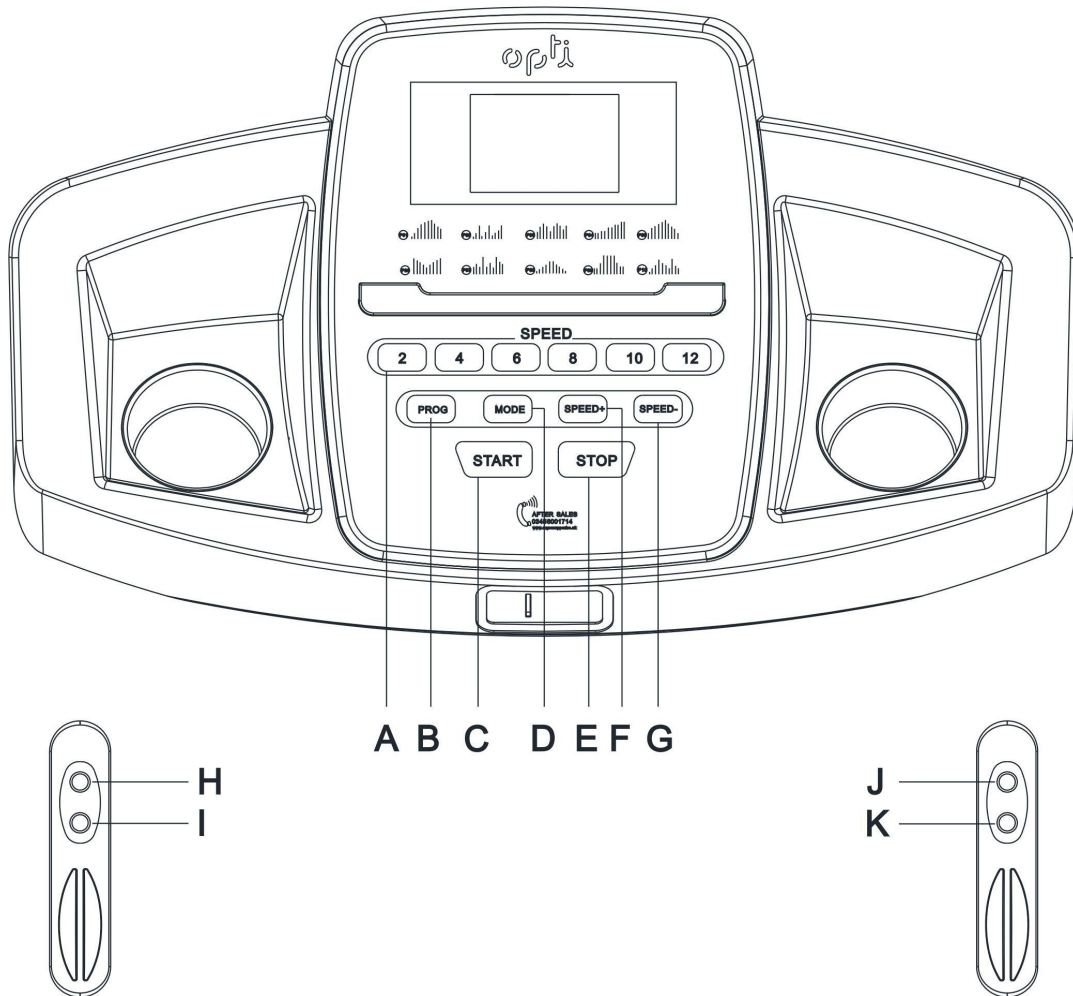
SAFETY KEY:

The treadmill will only work if the Safety Switch (54) is properly locked in the provided notch of the console. Insert the Safety Switch (54) and attach the clip to your chest or the waist belt of your clothes. Then move backward to test the safety key. The safety key should be able to be pulled out from the console with the clip still on your clothes.

If you need to turn the motor off immediately, just pull the Safety Switch (54) out of the console. For emergency dismount hold the left or right handlebar then jump onto the side rail or the floor.

Exercise Information

Console Operation



A B C D E F G

J
K

- A** Quick Speed Select
- B** Program
- C** Start
- D** Mode
- E** Stop
- F** Speed+
- G** Speed-
- H** Start
- I** Stop
- J** Speed+
- K** Speed-

Exercise Information

Console Operation

TECHNICAL SPECIFICATION

Time-----0:00--99:59 Min

Speed-----0.8--12.0 km/h

Distance-----0.0--99.9 km

Calorie-----0.0--999Kcal

Noise emission under load is higher than without load.

START

Press to start exercise at initial speed 0.8km/h

STOP

- Press during workout, and the treadmill will stop by gradually reducing the speed, all display window will be cleaned to zero.

QUICK SPEED SELECT

Press to select your desired running speed with 2,4,6,8,10,12km/h.

SPEED UP/DOWN

- Press to increase/decrease exercise speed by 0.1km/h
- Press to select training time under program workout model
- Press to choose the desired training target (Time, Distance, Calorie) under training target control workout model

PROGRAMME

Press to select workout program (P01—P10).

Exercise Information

Console Operation

IMPORTANT

1. The console will turn off automatically about ten minutes after the belt has stopped.
2. The pulse function is for reference only, and not to be used for medical purpose.

SAFETY KEY

1. The safety key must be placed into the magnetic recess on the console in order to operate the treadmill. Always place the safety key on its position and attach the clip to your clothing at your waist before beginning your workout.
2. If you should encounter problems and need to stop the motor immediately, simply pull the safety key away from the console.

GENERAL OPERATION

1. Turn on the Power Switch at the front of your Treadmill. This switch is located next to the Mains Power Cord inlet.
2. Place the Safety Key into the magnetic recess on the middle front of the Computer Console.

The console will give an audible signal and all console window displays will function with a start display value of 0.

Note: If the Safety Key is not placed correctly or is faulty, the "Speed" window will display "E00", which indicates that the treadmill will not operate.

If the Safety Key falls off during exercise, the console will give an audible signal and "Speed" window will display "E00" and the treadmill will stop.

To stop the treadmill in an emergency, simply pull the safety key off its mount in the console front or simply press the red STOP button in the center of the console. It is important that you connect the clothing clip to your shirt or other suitable clothing during exercise to ensure that this safety system can operate easily.

To get a pre-exercise pulse rate, simply hold both Hand Pulse Sensors on either side of the Handlebar Supports for 5 seconds. The Pulse Range is between 50 ~ 200 Beats per Minute.

Note: The readings displayed by the computer should not be used for therapeutic purposes as they can vary due to the sensitivity of the equipment and the available pulse signal put out by individuals' palms. To get the best accurate readings, keep the hands placed flat and firm on the PULSE PADS for 10 to 20 seconds, as this will allow the pulse reading to average and then settle.

Exercise Information

Console Operation

● **STARTING YOUR TREADMILL**

1. Turn on the treadmill, and press “Start” button on the console.
2. Press “Speed +” or “Speed -” button to adjust speed or press handle “Speed + or Speed -” button to adjust speed. Press the key once, and the speed changes 0.1Km/H.
3. Also the user can press the “Quick Speed Select” button to select desired running speed .

● **STOPPING YOUR TREADMILL**

1. Press the “Speed -” button on the console, adjust or press handle “Speed -” button to reduce the speed, then press the “Stop” key on the Console, and the treadmill will stop; turn off the switch if you intend to finish workout.
2. Pull away the Safe Key and the treadmill will stop itself, and then “Speed” window will display “E00”.

● **TRAINING TIME CONTROL WORKOUT MODE**

1. Turn on the treadmill, press the “MODE” button one time, and the “Time” window flashes and displays “15:00”, which is the pre-set training time of the treadmill. Press “Speed +” / “Speed -” button to select your desired training time, (the range is 5:00—99:00).
2. Press “Start” button to start your workout, the time data will reduce gradually during your training and the treadmill will stop automatically when the “Time” window displays “0:00”.

● **TRAINING DISTANCE CONTROL WORKOUT MODEL**

1. Turn on the treadmill, press the “Mode” key two times, and the “DIS” window flashes and displays “1.0”, which is the pre-set training distance of the treadmill.
2. Press “Speed +” / “Speed -” button to select your desired training distance (the range is 0.5—99.9).
3. Press “Start” button to start your workout, the distance data will reduce gradually during your training and the treadmill will stop automatically when the “DIS” (Distance) window displays “0.0”.

● **BURNING CALORIE CONTROL WORKOUT MODEL**

1. Turn on the treadmill, press the “Mode” button three times continuously, the “Cal” window flashes and displays “50.0”, which is the pre-set burning calories of the treadmill. Press “Speed +” / “Speed -” button to select target burning calories (the range is 10.0--999).
2. Press “Start” button to start your workout, the calories data reduce gradually during your training, and the treadmill will stop automatically when the “Cal” (Calorie) window display “0.0”.

● **SPEED ADJUSTMENT**

1. In any training target control workout model, press “Speed +” / “Speed -” button or press the “Quick Speed Select” button to choose your desired running speed.

Exercise Information

Console Operation

Program Workout Model (P01—P10)

In this mode, the user has a choice of Program P01 – Program P10.

1. Press the “Prog. ” button, the “Speed” window will display “P01” and the “Time” window will display “30:00”, which is the preset time of the treadmill for each program. Press the “Pro.” button to select your desired training program “P01-P10”.
2. The preset workout time of the treadmill for each program is 30:00 Min, when you finish selecting workout program, press “Speed +” / “Speed -” button to select your desired workout

time (the range is: 5:00---99:00).

3. Press “Start” button and the treadmill will count down three and start operation. The start speed depends on the program you have chosen.
4. For all preset values, please refer to following table and diagrams.

Any of the training program levels has 10 segments, and each segment time is 1/10 of total setting time; during any training segments, press the “Speed +” / “Speed -” button to adjust training speed.

TIME \ PROG		Set Time/10 =Running time for each program									
		1	2	3	4	5	6	7	8	9	10
P01	SPEED	1.5	3.0	4.5	6.0	7.5	9.0	10.5	10.5	9.0	7.5
P02	SPEED	3.0	4.5	7.5	3.0	4.5	7.5	3.0	4.5	7.5	3.0
P03	SPEED	4.5	6.0	7.5	6.0	4.5	6.0	7.5	6.0	4.5	6.0
P04	SPEED	3.0	3.0	4.5	4.5	6.0	6.0	7.5	7.5	9.0	9.0
P05	SPEED	3.0	4.5	6.0	7.5	9.0	9.0	7.5	6.0	4.5	3.0
P06	SPEED	7.5	7.5	6.0	4.5	3.0	1.5	3.0	4.5	6.0	7.5
P07	SPEED	3.0	6.0	4.5	9.0	4.5	7.5	3.0	9.0	6.0	4.5
P08	SPEED	1.5	3.0	4.5	6.0	6.0	6.0	6.0	4.5	3.0	3.0
P09	SPEED	3.0	3.0	4.5	7.5	7.5	7.5	7.5	4.5	3.0	3.0
P10	SPEED	1.5	3.0	4.5	7.5	6.0	4.5	3.0	6.0	3.0	1.5

Exercise Information

Console Operation

BODY FAT ANALYSIS

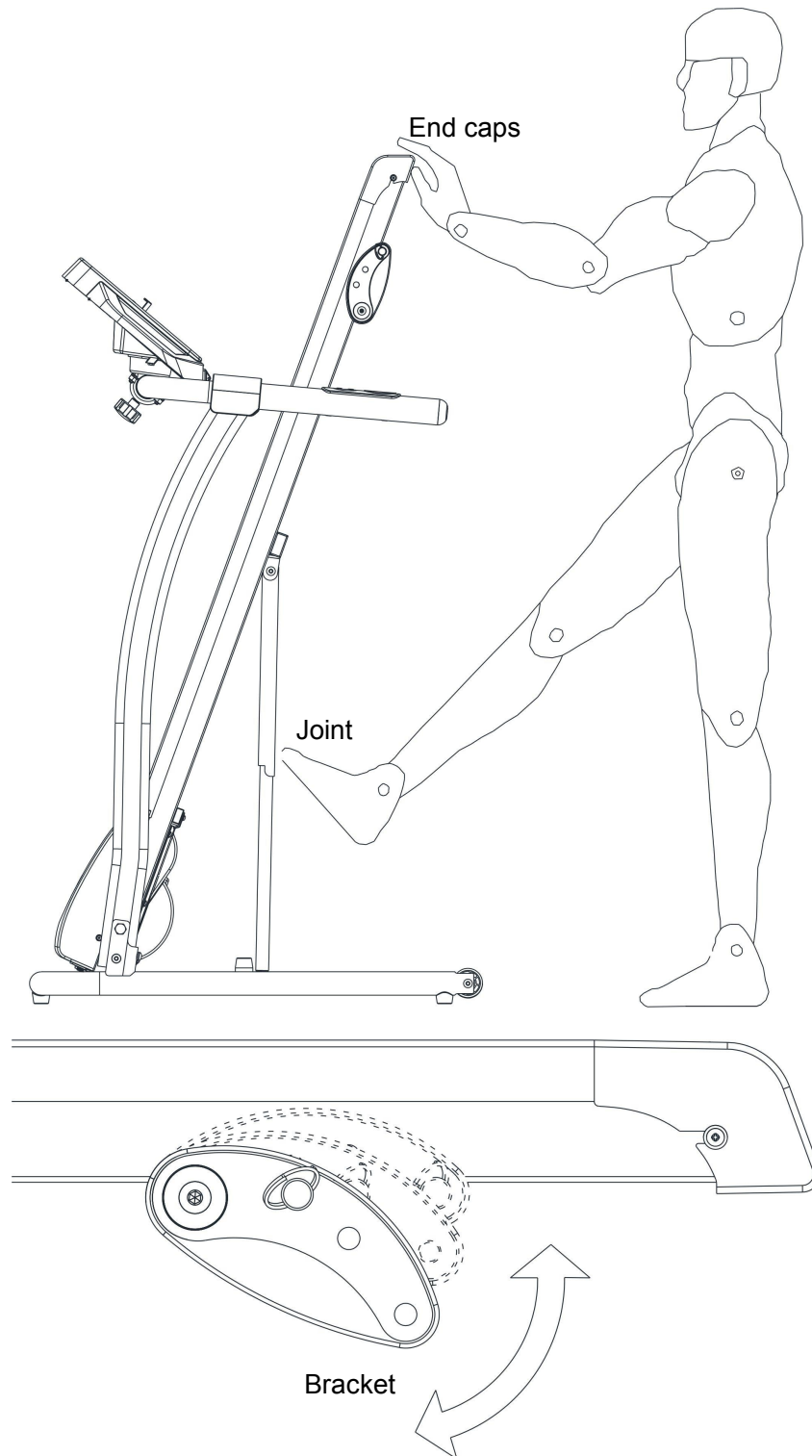
- Turn on the treadmill, press “PROG” button until the “Speed.” window displays “FAT”.
- Press the “MODE” button, the “Cal.” window is displaying “01”, the “Speed.” window displays “F-1”. Press “Speed +” or “Speed -” Key, then the “Speed” Window will change to “01” or “02”, Please select your sexual distinction, “01” – Male, “02” – Female.
- Press the “MODE” key again, the “Cal” window displays: “30” – Which is the treadmill preset user’s age, the “Speed.” window displays “F-2”. Press “Speed +” or “Speed -” button to select your correct age. (Range is: 10 – 99).
- Press the “MODE” button again, the “Cal” window displays “170” – Which is the treadmill preset user’s body height 170cm, the “Speed.” window displays “F-3”. Press “Speed +” or “Speed -” button to select your correct body height. (Range is: 100 – 200cm).
- Press the “MODE” button again, the “Cal” Window displays: “70”, Which is the treadmill preset user’s body weight 70kg., the “Speed.” window displays “F-4”. Press “Speed +” or “Speed -” button to select your correct body weight. (Range is: 20 – 150kg).
- Press “MODE” key again, the “Speed” window is displaying “F - 5” and the “Cal” window is displaying: “ --- “. Grasp the two handle pulse sensor with your two hands and hold for about 3 seconds, the “Cal” window will display your desired body fat rate, refer to below table for your body fat date.

Body Fat Scale Parameter Table

Body Fat	≤ 18.5	Under Weight
Body Fat	$= (20—25)$	Ideal Weight
Body Fat	$= (25—29)$	Over Weight
Body Fat	≥ 30	Obesity

Exercise Information

Folding mechanism and incline adjustment



1. To fold the treadmill, lift the running deck and you can hear a click when the deck locks into position.
2. Hold the running deck, touch the cylinder joint with your tiptoes to unfold it as shown in the diagram.
3. The treadmill has three manual incline positions. Adjust the Bracket to the desired incline as shown in the diagram.

Care and Maintenance

1. The safety level of the equipment can only be maintained if it is examined regularly for damage and wear e.g. ropes, pulleys and connection points.

2. Lubricate moving parts with light oil periodically to prevent premature wear. Never use abrasives or solvents to clean the treadmill. To prevent damage to the computer, keep liquids away and keep it out of direct sunlight.

3. Inspect and tighten all parts before using the equipment. Replace defective components immediately and/or keep the equipment out of use until repair. Pay special attention to components most susceptible to wear.

4. The equipment can be cleaned using a damp cloth and mild non-abrasive detergent. **Do not** use solvents.

5. **Do not** attempt to repair this equipment yourself. Should you have any difficulty with assembly, operation or use of your exercise product or if you think that you may have parts missing, contact the manufacturer, their approved service agent or the **Customer Helpline: 0345 600 1714**
www.argos-support.co.uk/

Guarantee:

For guarantee purposes, please retain your purchase receipt.

Information for Users on Disposal of old Equipment and Batteries

These symbols indicate that equipment with these symbols should not be disposed of as general household waste. If you want to dispose of the product or battery, please consider the collection systems or facilities for appropriate recycling.

Notice: The sign Pb below the symbol for batteries indicates that this battery contains lead.



Always unplug the equipment before cleaning and/or servicing. Service to this equipment should only be performed by an authorized service representative, unless authorized and/or instructed by the manufacturer.

Care and Maintenance

Belt Adjustment

Improper maintenance can cause damage to the treadmill or shorten the life of the product and exceed the LIMITED WARRANTY coverage.

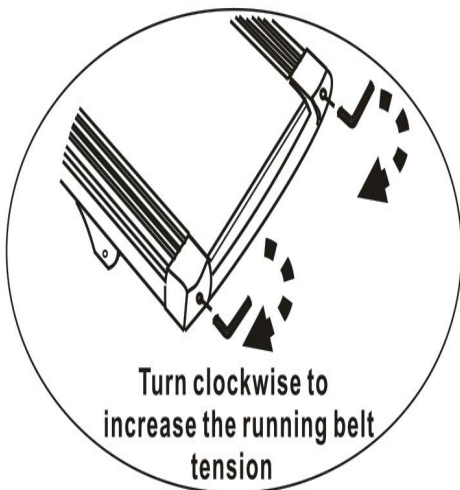
- **Important:** Never use abrasives or solvents to clean the treadmill. To prevent damage to the computer, keep liquids away and keep it out of direct sunlight..
- All parts of the treadmill must be checked and tightened regularly. Worn parts must be replaced immediately.

BELT ADJUSTMENT

You may need to adjust the running belt during the first few weeks of use. All running belts are properly set at the factory. It may stretch or become misaligned following use. Stretching is normal during the break-in period.

ADJUSTING THE BELT TENSION

If the running belt feels as though it is “slipping” or hesitating when you plant your foot during a run, the tension on the running belt may have to be increased..



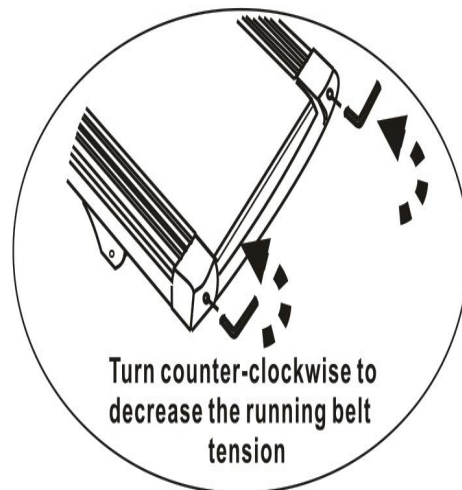
TO INCREASE THE RUNNING BELT TENSION

STEP 1: Place 6# Allen wrench on the left belt tension bolt. Turn the wrench clockwise 1/4 turn to draw the rear roller and increase the belt tension.

STEP 2: Repeat STEP 1 for the right belt tension bolt. You must be sure to turn both bolts the same number of turns, so the rear roller will stay square relative to the frame.

- Repeat STEP 1 and STEP 2 until the slipping is eliminated.
- Be careful not to tighten the running belt tension too much as you can create excessive pressure on the front and rear roller bearings. An excessively tightened running belt may damage the roller bearings that would result in bearing noise from the front and rear rollers.

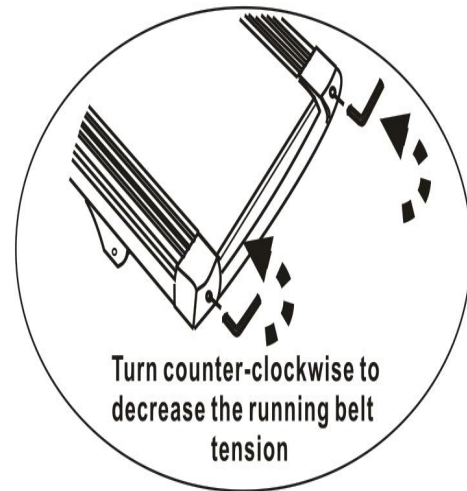
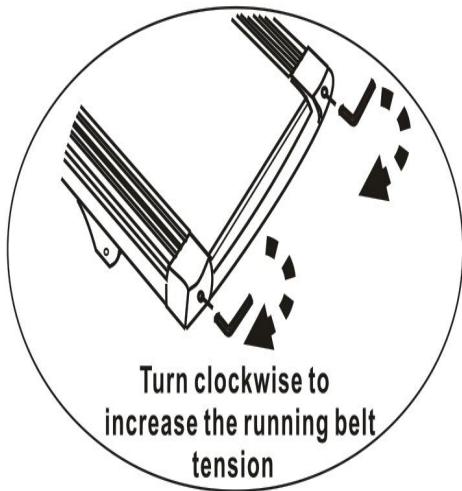
TO DECREASE THE TENSION ON THE RUNNING BELT, TURN BOTH BOLTS COUNTER-CLOCKWISE THE SAME NUMBER OF TURNS..



Care and Maintenance

Centering the Running Belt

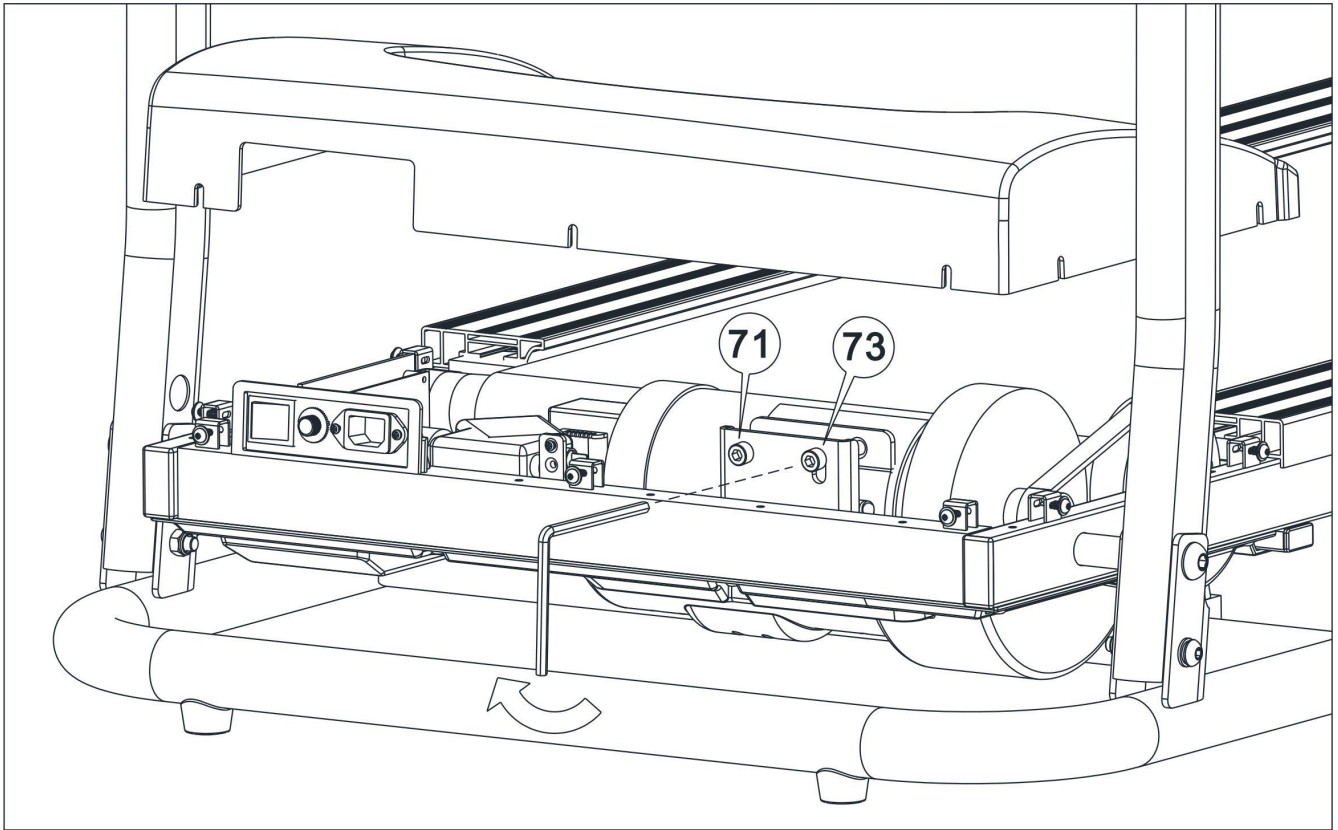
When you run, you may push off harder with one foot than with the other. The severity of the deflection depends on the amount of force that one foot exerts in relation to the other. This deflection can cause the belt to move off-center. This deflection is normal and the running belt will centre when nobody is on the running belt. If the running belt remains consistently off-center, you will need to centre the running belt manually.



1. Start the treadmill without anyone on the running belt, press "Speed+" button until speed reaches 6Km/h.
2. Observe whether the running belt is toward the right or left side of the deck.
 - a) If toward the left side of the deck, using 6# Allen Wrench, turn the left adjustment bolt clockwise 1/4 turn and let the running belt will find its new position; if it's still moving toward left side, turn the bolt further for 1/4 turn.
 - b) If toward the right side of the deck, using 6# Allen Wrench, turn the right adjustment bolt clockwise 1/4 turn and let the running belt will find its new position; if it's still moving toward right side, turn the bolt further for 1/4 turn.
 - c) If the belt is still not center, repeat the above steps until the running belt is centered.
3. After the belt is centered, increase the speed to 12km/h and verify that it is running smoothly. Repeat the above steps if it is necessary. If the above procedure is unsuccessful in resolving the off-center, you may need to increase the belt tension.

Care and Maintenance

Motor Belt Tension Adjustment



During your workout, if you find the running belt is not running smoothly, that means the motor belt is loose, please follow the below steps to adjust the motor belt tension:

1. Before adjusting the motor belt, loosen the screws that hold the motor cover, and then open the motor cover.
2. Loosen bolts no. 71 with inner hexagon bolts, then rotate bolts no. 73 in the direction of the arrow, tightening the belt.
3. After the adjustment, tighten the no. 71 bolt to ensure that the motor and drum are parallel.
4. Re-Start the treadmill and run on the treadmill; if the running belt is still not working properly, repeat above step.
5. Please do not make the motor belt too tight; if the belt is over tightened, it will cause the treadmill over loading and reduce the motor life.

Care and Maintenance

Deck Lubrication

The treadmill is pre-lubricated. However, it is recommended to check the lubrication of the treadmill regularly, to ensure an optimal operation of the treadmill.

After every 2 months of operation, lift the sides of the treadmill and feel the surface of the belt, as far as possible. If traces of silicon spray are found, lubrication is not necessary. In case of a dry surface, refer to the instructions below.

Only use 100% silicon oil to lubricate your treadmill deck.

To apply lubricant on the belt

- Position the belt so that the seam is located in the middle of the plate.
- Lift the belt at one side and hold the spray valve at a distance of approximately 15cm to the front end of belt and plate. Then spray from front to the end. Repeat this process on the other side of the belt. Spray each side for about 4 seconds.
- Wait 1 minute to let the silicon spray spread, before starting the machine.

CLEANING

Regular cleaning of the belt ensures a long product life.

- **Warning:** The treadmill must be turned off to avoid electric shocks. The power cord must be pulled out of the socket, before starting the cleaning or maintenance.
- **Caution:** Do not use any abrasives or solvents. To avoid damage to the computer, keep any liquids away. Do not expose the computer to direct sunlight.
- **After each training:** Wipe the console and other surfaces with a clean soft and damp cloth to remove sweat residues.
- **Weekly:** To make cleaning easier, it is recommended to use a mat under the treadmill. Shoes can leave dirt on the belt that can fall beneath the treadmill. Clean the mat under the treadmill once a week.

STORAGE

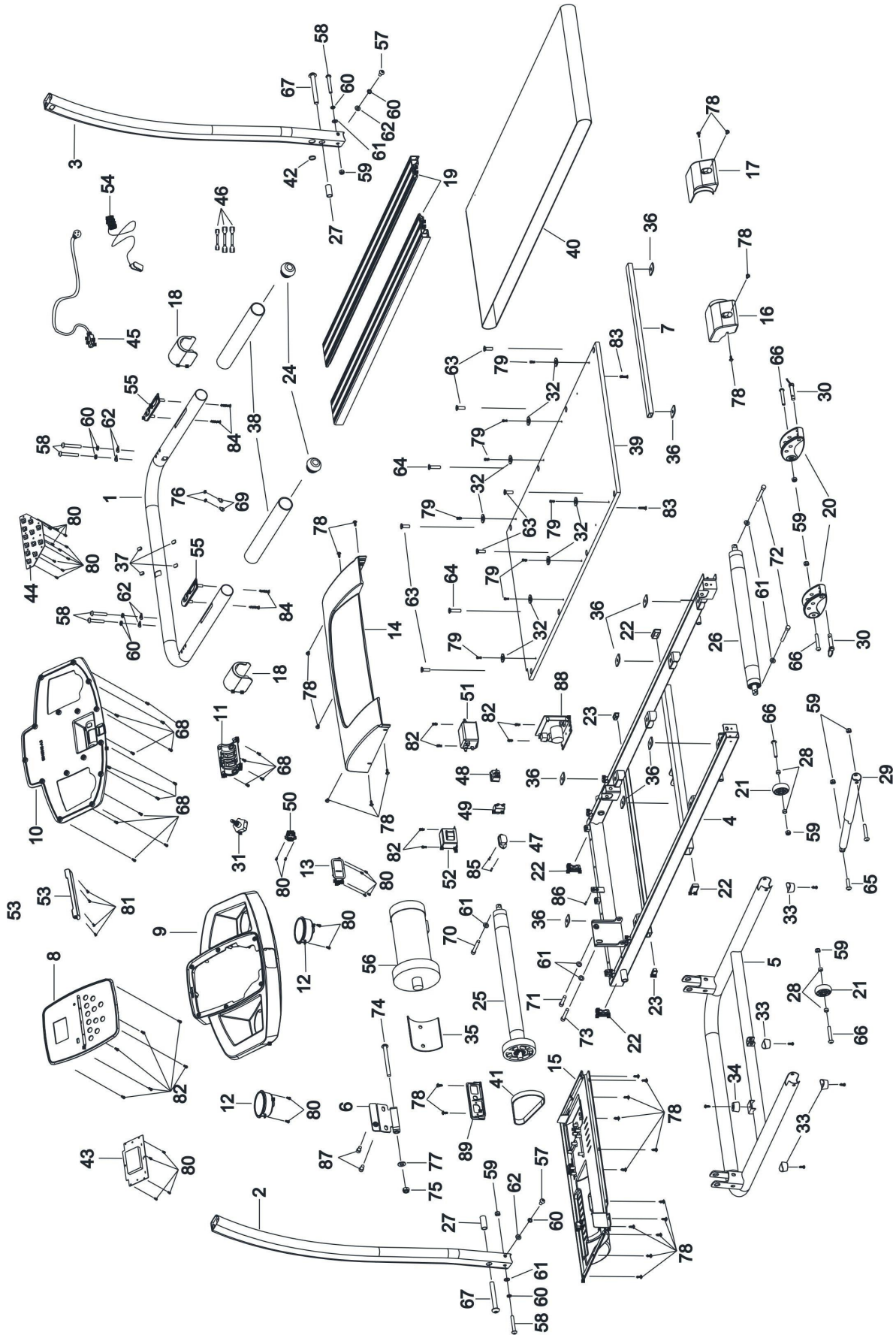
Store your treadmill in a clean and dry environment. Ensure the master power switch is off and is un-plugged from the electrical wall outlet.

Care and Maintenance

Trouble Shooting

E00	Safety Key not in the position	Re-locate the safety key in the correct position
E01	No signal to Controller from console	A: Check the Main Controller Wire B: Replace the PCB Board
E02	Motor communication error	A: Check the wire from motor to controller B: IGBT breakdown, Replace the controller C: Check the power voltage if 50% lower than rate voltage D: replace the motor wire or change motor
E04	Incline Motor communication error	A: Check the wire from incline motor to controller B: Replace the incline motor C: Replace the controller
E05	Over current protector	A: Over loading or over resistance, restart the treadmill B: Transmission parts seized up, check the parts C: Replace controller D: Motor breakdown, change the motor
E06	Motor Open Circuit	Connect the Motor link
E08	IC Driver Error	Replace the IC driver or change the IC driver
E09	Folding up protect	A: Do not fold up the running deck when treadmill is running B: If the running deck in laying position and show E09, you need change the controller
E10	Motor instantaneous current abnormal	A: Adjust the torsion potentiometer of the Controller to lower B: Motor Breakdown, change the motor
E11	Over voltage protector	Voltage over 270v (for 220v) or 150v (for 110v) -- turn off the treadmill and check the power source
E13	No signal to console from Controller	A: Check the Main Controller Wire B: Change the controller
E14	Lower voltage protector	Voltage lower than 160v (220v) or 70v (110v) -- turn off the treadmill and check the power source

Exploded Parts Diagram



Parts List

Key No.	Description	QTY	Key No.	Description	QTY
1	Handrail	1	28	pipe sleeve	4
2	Left console mast	1	29	Air spring	1
3	Right console mast	1	30	Pin	2
4	Running stage	1	31	Knob	1
5	Base frame	1	32	Side rail stator	8
6	Motor Support	1	33	Foot Pad	4
7	Running plate stiffener	1	34	Cushion	1
8	Display screen	1	35	Rubber Cushion	1
9	Console Upper Cover	1	36	Crash Pad	8
10	Console Bottom Housing	1	37	damping mat	4
11	Console rotate cover	1	38	Handle grip	2
12	Cup holder	2	39	1130×520×12mm Running Deck	1
13	Safety Switch Base	1	40	2545×400×1.5mm Running belt	1
14	Motor cover	1	41	VEGA Motor belt	1
15	Motor bottom cover	1	42	Flinger	1
16	Left end cap	1	43	LCD Screen	1
17	Right end cap	1	44	PC Board	1
18	Handle Cover	2	45	Power cord	1
19	Side rail	2	46	Short cords (Connectors of 47/48/49)	1
20	Adjustable bracket	2	47	Power Socket	1
21	Roller	2	48	Power Switch	1
22	End cap	4	49	Over current Protector	1
23	End cap	2	50	Insert Switch	1
24	End cap	2	51	Filter	1
25	Front roller	1	52	Inductor	1
26	Rear roller	1	53	IPAD Holder	1
27	console mast pipe sleeve	2	54	Safety Switch	1

Parts List

Key No.	Description	QTY	Key No.	Description	QTY
55	Pulse sensor	1	73	M8x50mm Allen Bolt	1
56	Motor	1	74	M10x100mm Allen Bolt	1
57	M8x20mm Allen Bolt	2	75	M10 Aircraft Nut	1
58	M8x55mm Allen Bolt	6	76	6mm Washer	2
59	M8 Aircraft Nut	8	77	10mm Washer	1
60	8mm Spring Washer	8	78	ST4.8×15mm Dome Head Padded Phillips Screw	25
61	8mm Washer	7	79	ST4.8×15mm Dome Head Phillips Screw	8
62	Φ8 x R20mm Arc Washer	6	80	ST2.9×8mm Dome Head Padded Phillips Screw	24
63	M8 x 24mm Sunk Screw	6	81	ST2.9×10mm Dome Head Philips Screw	4
64	M8 x 35mm Sunk Screw	2	82	ST4.2×15mm Philips Screw	12
65	M8x30mm Allen Bolt	1	83	ST4.2 x 25mm Sunk Screw	2
66	M8x50mm Allen Bolt	4	84	ST4.2 x 30mm Sunk Screw	4
67	M12x95mm Allen Bolt	3	85	ST4.2 x 12mm Sunk Screw	2
68	ST4.2×12mm Phillips Screw	18	86	Φ10mm Spring Washer	1
69	M6x12mm Dome Head Allen Bolt	2	87	M8x18mm Dome Head Allen Bolt	2
70	M8x60mm Allen Bolt	1	88	Driving Board	1
71	M8x45mm Allen Bolt	1	89	Switch box	1
72	M8x70mm Allen Bolt	2			

Guarantee



Product Guarantee

This product is guaranteed against manufacturing defects from a period of



Year

This product is guaranteed for twelve months from the date of original purchase. Any defect that arises due to faulty materials or workmanship will either be replaced, refunded or repaired free of charge where possible during this period by the dealer from whom you purchased the unit.

The guarantee is subject to the following provisions:

- The guarantee does not cover accidental damage, misuse, cabinet parts, knobs or consumable items.
- The product must be correctly installed and operated in accordance with the instructions contained in this manual.
- It must be used solely for domestic purpose.
- The guarantee will rendered invalided if the products is re-sold or has been damaged by inexpert repair.
- Specifications are subject to change without notice.
- The manufacturer disclaims any liability for the incidental or consequential damages.
- The guarantee is in addition to, and does not diminish your statutory or legal right.
- In the event of problem with the product with in the guarantee period call
Customer Service: 0345 6001714 www.argos-support.co.uk/

Guarantor: Argos Ltd
489 – 499 Avebury Boulevard
Central Milton Keynes
MK9 2NW