

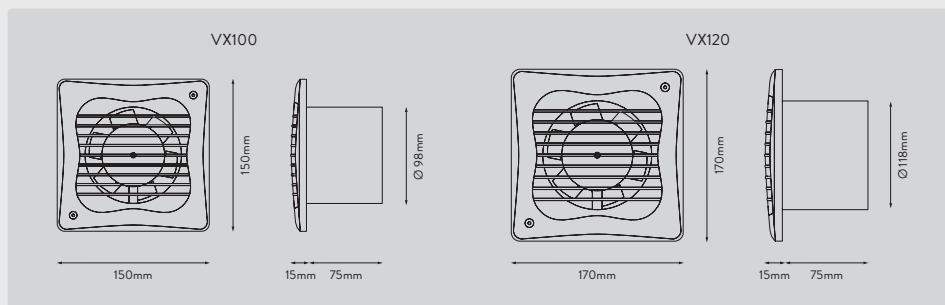
VX100 & VX120

4"/100mm and 5"/120mm axial extract fans

Domestic



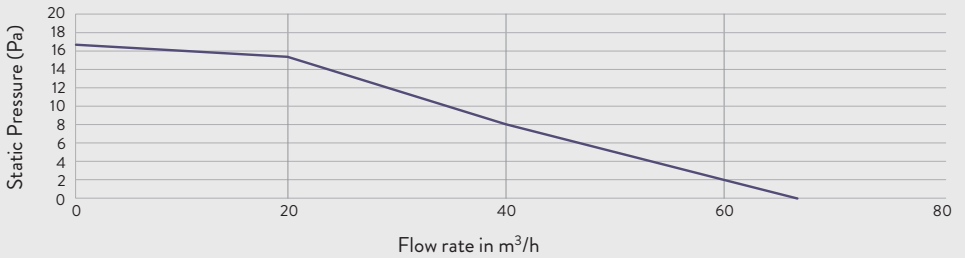
A range of easy to install single speed extract fans. Suitable for a wide range of applications including bathrooms, shower rooms and toilets including zones 1 and 2. VX120 also suitable for utility rooms. Suitable for wall fitting, both VX100 and VX120 are available in standard and timer variants.



Product Features	VX100	VX100T	VX120	VX120T
Reference Number	93224AWW	93225AWW	93228AWW	93229AWW
Timer (adjustable from 90s - 30mins)		✓		✓
18l/s	✓	✓		
32l/s			✓	✓

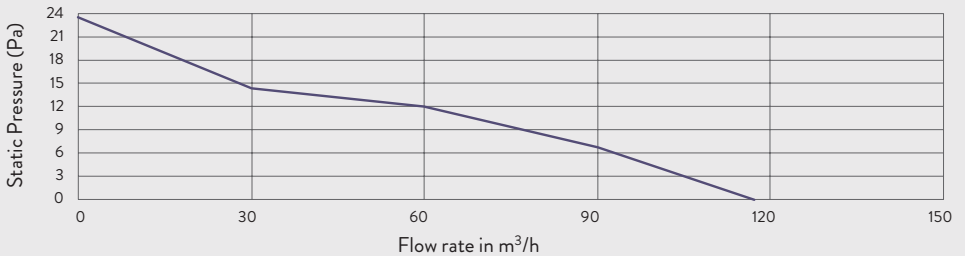
Product Selector	VX100	VX100T	VX120	VX120T
Reference Number	93224AWW	93225AWW	93228AWW	93229AWW
Extract Performance (l/s)	18	18	32	32
Extract Performance (m ³ /h)	66	66	116	116
Electrical Power Rating (W)	16	16	23	23
Specific Fan Power (SFP) (W/l/s)	0.88	0.88	0.71	0.71
Sound Pressure Level (dBA@3M)	37	37	41	41
IP Rating	IPX4	IPX4	IPX4	IPX4
Integral Timer		✓		✓
Motor Type	AC	AC	AC	AC

Performance for VX100



Product	VX100										
Static Pressure (Pa)	0	1.6	2.5	4.6	6.1	7	8	8.2	8.8	15.2	16.7
Flow Rate in m ³ /h	65.62	62.20	58.70	54.90	50.80	46.40	41.50	36.30	29.45	20.90	0.00

Performance for VX120



Product	VX120										
Static Pressure (Pa)	0	1.5	3.5	5.5	6.8	8.3	9.4	10.9	11.5	12.8	22.4
Flow Rate in m ³ /h	116.00	110.00	103.00	97.00	90.00	82.00	73.00	64.00	52.00	37.00	0.00