

VX100, VX100P & VX100T - Toilet/Bathroom Fans

Installation and operating instructions.

Please leave this leaflet with the fan for the benefit of the user.

Installing the fan

These appliances are intended for connection to fixed wiring. Check that the electrical rating shown on each fan matches the mains supply. **THESE APPLIANCES ARE DOUBLE INSULATED AND DO NOT REQUIRE AN EARTH CONNECTION.**

All installations must be supervised by a qualified electrician. Installations and wiring must conform to all current IET Regulations (UK), local and appropriate regulations.

This appliance can be used by children aged 8 years and above and persons with reduced physical, sensory or mental capabilities, or lack of experience and knowledge, if they have been given supervision or instruction concerning use of the appliance in a safe way and understand the hazards involved. Children should not play with the appliance.

If you have any queries before installing these products or after they have been installed, contact Redring Xpelair Group Ltd (details overleaf), or outside the UK contact your local distributor.

Description

All VX100 Range fans have the following features:

- Single speed extraction
- VX100** • Operate the fan using an on/off switch (not supplied).
- VX100P** • Operate the fan using an integral pull-cord.
- VX100T** • Built-in timer operates fan for a preset delay of up to 30 minutes.

What the installer will need

- A means for disconnection in all poles must be incorporated in the fixed wiring in accordance with wiring regulations (wall or ceiling mounted).
- **If metal switch boxes are used, earthing regulations must be followed.**
- Suitably rated 2-core cable – VX100/VX100P.
- Suitably rated 3-core cable – VX100T.
- 3mm electrician's screwdriver and No.1 or 2 Pozdrive screwdrivers.
- 3 off No.8 wall screws and plugs or appropriate fasteners.
- A wall or ceiling on/off switch – VX100T.
 - It is recommended to use a switch with an indicator light.
- Junior hacksaw (if installing in a window or panel less than 16m thick).
- **To prevent a possible hazardous situation from water ingress, an appropriate condensation trap must be fitted as close as possible to the fan in all situations where any section of the duct work is positioned higher than the fan itself.**

If wall mounting the fan, you will also need

- An appropriate Wall Kit including telescopic wall tube and backdraught shutter.
- Alternatively, an appropriate Wall Grille and Ø100mm ducting.
- A Masonry drill, hammer & chisel (or core drill equipment if available).
- Mortar to make good the hole around the ducting.

If window/panel mounting the fan, you will also need

- An appropriate Glass Kit.
- You will need a window pane between 3mm and 6mm thick (preferably 4mm).
- Do not install in glass 3mm thick if the window pane area is more than 0.2m².
- If installing in sash windows, you should mount the fan in the upper window. Secure the upper sash in the closed position and fit stops just below the level of the fan, to prevent damaging it when the sash is raised.

If ceiling mounting the fan, you will also need

- Appropriate ancillaries for termination, for example:
1. Termination ducting kit.
 2. Soffit board termination grille.
 3. Ø100mm flexible ducting. If installing in a vent, an appropriate Vent Kit is required.

Where to locate the fan

- Locate it as high as possible.
- At least 110mm from the edges of the mounting surface to the centre of the hole.
- As far away as possible from and opposite to the main source of air replacement to ensure airflow across the room (e.g. opposite the internal doorway).
- Near the source of steam or odours.
- **Not where ambient temperatures are likely to exceed 50°C.**
- **If installed in a kitchen fans must not be mounted immediately above a cooker hob, or eye level grill.**
- **When the fan is installed in a room containing a fuel burning appliance, precautions must be taken to avoid the backflow of gases into the room for open flue of the fuel burning appliance.**
- **When intended for use in possible chemical corrosive atmospheres, consult Our service department, or your local distributor.**
- **This electrical product is rated at "IPX5", and can be installed anywhere within Zones 1 and 2 in a shower room or bathroom.**

Installing the isolating switch and cables

1. Check that the electrical rating shown inside the backplate matches your mains supply.
2. Check there are no buried pipes or cables e.g. electricity, gas, water behind the switch location (in the wall or above the ceiling).
If in doubt, seek professional advice.
3. Isolate the mains supply.
4. Lay in the cable from the isolating switch to the fan location via the on/off switch (if required).
5. Lay in the point of connection to the mains supply.
Warning: Do not make any connections to the electrical supply at this stage.
6. Install the isolating switch and on/off switch (if required).
7. Make all connections within the isolating switch and the on/off switch (if required).
Note: on/off switch must be situated so that it cannot be touched by persons making use of the bath or shower.
WARNING DO NOT MAKE ANY CONNECTIONS TO THE ELECTRICAL SUPPLY AT THIS STAGE. If in doubt, seek professional advice.

Preparing the hole

If working above ground floor level, safety precautions must be observed. **WARNING: EYE PROTECTION MUST BE WORN DURING ALL DRILLING AND CHISELLING OPERATIONS.**

If installing in a Wall

1. Check there are no buried pipes or cables in the wall or obstructions on the outside e.g. electricity, gas, water.
2. Mark on the wall the centre of the duct hole. The centre of the hole should be at least 110mm away from the edge of the mounting surface.
3. Use this centre to mark a circle to suit the wall duct (Ø115mm).

If core drill equipment is available:

- 4a. Use as directed by core drill manufacturer.

If core drill equipment is not available

- 4b. Drill a centre hole right through the wall.
5. Cut the hole. Do not cut right through the wall. (The recommended method is to drill a series of holes, close together, around the edge of the cutting line and remove the brick between the holes with a chisel).
6. Go outside and cut a hole in the outer wall, repeating the process above.
7. Cut ducting to the correct length if required.
8. Fit the ducting. Ensure that the duct slopes down away from the fan to allow drainage of any incoming rain water to the outside.
9. Make good the hole. Allow the mortar to set before continuing the fan installation.

If installing in a window or panel

1. Cut a hole, Ø125mm, or if installing in a window, obtain a ready cut pane.
2. The centre of the hole should be at least 110mm away from the edge of the panel or pane of glass.

Cutting back the Spigot (if required)

If installing in a window or panel less than 16mm thick, the fan spigot needs to be cut back to the visible step 20mm away from the rear of the backplate.

1. Remove the impeller by pulling it forward
2. Cut the spigot back to the step using a junior hacksaw, ensuring that the motor shaft is not marked by the hacksaw.
3. Remove any burrs from the edge of the spigot.
4. Refit the impeller by locating it onto the shaft and pushing it on fully.

If installing in a ventilation shaft

1. Check there are no buried pipes or cables in the ventilation shaft.
If in doubt, seek professional advice.
2. Cut a hole Ø110mm, in the side the shaft.

If installing in a ceiling

1. Check there are no buried pipes or cables in the ceiling/joists etc.
If in doubt, seek professional advice.
2. Cut a hole Ø115mm.

Preparing the fan for installation

Remove the front cover by pressing the release catches located on the sides of the unit with a 3mm screwdriver, whilst pulling the front cover forward (fig. E).

Mount the fan in the hole

If working above ground floor level, safety precautions must be observed.

If installing in a wall, ceiling or vent

Mark the position of the backplate (fig A).

1. Hold the backplate so that the terminal block faces you in the top left hand corner and the lip points towards the hole.
2. Carefully insert the lip into the wall duct/ceiling or vent shaft.
3. Adjust the position of the backplate until it is level.
4. Mark on the wall/ceiling or vent shaft the positions of the three fixing holes in the backplate.
5. Remove the back plate from the ducting.
6. Drill screw holes in these positions if necessary, and fit wall plugs if necessary.

Mount the backplate (fig B).

- 1a. If installing in a vent, an appropriate Vent Kit is required.
- 1b. If installing in a ceiling, appropriate termination ancillaries are required.
Follow instructions provided.
2. If wiring the fan from behind, remove knockout. Feed the mains cable through the cable entry hole in the back plate to the terminals (fig. C).
3. If wiring from above, leave the cable free to be fitted into labyrinth.
4. Insert the lip of the backplate into the wall duct/ceiling or vent shaft as before.
5. Fasten the backplate to the wall/ceiling or vent shaft using appropriate fasteners.
If using screws, do not overtighten.
6. If installing in a wall, an appropriate Wall Grille is required.
Follow instructions provided.

If installing in a window or panel

1. If installing in a window or panel no more than 9mm thick, an appropriate Glass Kit is required. Follow instructions supplied.

Wire the electrical connections

- **Make sure the mains supply is isolated.**
- **All wiring and installation must be supervised by a qualified electrician.**
- 1. Wire the fan as shown (fig. D). Check the model to diagram, feeding the cable between the two raised pegs, if wiring from above, and through labyrinth to terminal block. **VX100T: a remote switch must be connected between the Live and T-Terminal on the fan. Failure to do this will result in the fan failing to operate.**
- 2. **Switch off the mains electrical supply and remove fuses**
- 3. Connect the cable from the isolating switch to the electrical supply wiring.
 - **For fixed wiring circuits the fuse for the appliance must not exceed 5A.**

All fans

- If wiring from above cut out the cable entry slot marked on top of the front cover.
- Fit the front cover by aligning it square to the duct and pushing it onto the Backplate until the release catches snap into the slots on the front cover.
- Refit the fuses and switch on the mains supply.

Using the fan (See overleaf)

THIS APPLIANCE CAN BE USED BY CHILDREN AGED FROM 8 YEARS AND ABOVE AND PERSONS WITH REDUCED PHYSICAL, SENSORY OR MENTAL CAPABILITIES, OR LACK OF EXPERIENCE AND KNOWLEDGE IF THEY HAVE BEEN GIVEN SUPERVISION OR INSTRUCTION CONCERNING USE OF THE APPLIANCE IN A SAFE WAY AND UNDERSTAND THE HAZARDS INVOLVED.

CHILDREN SHALL NOT PLAY WITH THE APPLIANCE.

CLEANING AND USER MAINTENANCE SHALL NOT BE MADE BY CHILDREN

Using the fan

VX100 only

- Operate the fan using the on/off switch. Repeat to switch off.

VX100P only

- Operate the fan by pulling and releasing the cord. Repeat to switch off.

VX100T only (fig. F)

- Operate the fan using an on/off switch. When the switch is turned off, the fan continues to operate for the set time delay. To adjust the over-run period, turn the control "T" clockwise to increase and anti-clockwise to decrease.

Head Office, Sales Office and Spares

Redring Xpelair Group Limited, Newcombe House, Newcombe Way, Orton Southgate, Peterborough, PE2 6SE.

By Telephone

General: 0844 372 7761

Sales: 0844 372 7750

Technical: 0844 372 7766

International: +44 (0) 1733 456789

E-Mail: Service.request@redringxpelair.com

By Fax

General: 0844 372 7762

Sales: 0844 372 7760

Technical: 0844 372 7767

International: +44 (0) 1733 456727

Cleaning (recommended once a month)

Cleaning and maintenance shall not be made by children.

1. Before cleaning, isolate the fan completely from the mains supply
2. Remove the front cover by pressing the release catches located on the sides of the unit with a 3mm screwdriver, whilst pulling the front cover forward (fig. E).
3. To clean the front cover, either wipe it with a damp, lint free cloth or wash it with warm soapy water. Thoroughly dry the front cover and refit.
4. Do not immerse the fan in water or other liquids to clean any other parts of the fan.
5. Do not use strong detergents, solvents or chemical cleaners
6. Allow fan to dry thoroughly before use.
7. Apart from cleaning, no other maintenance is required

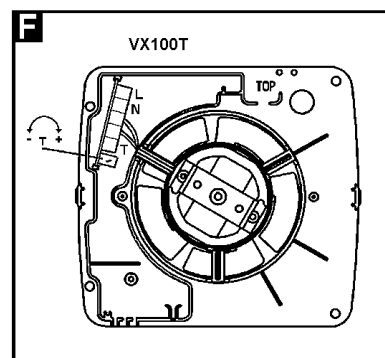
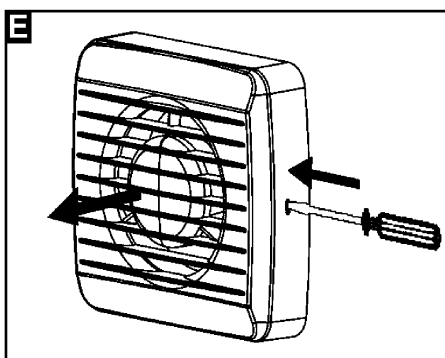
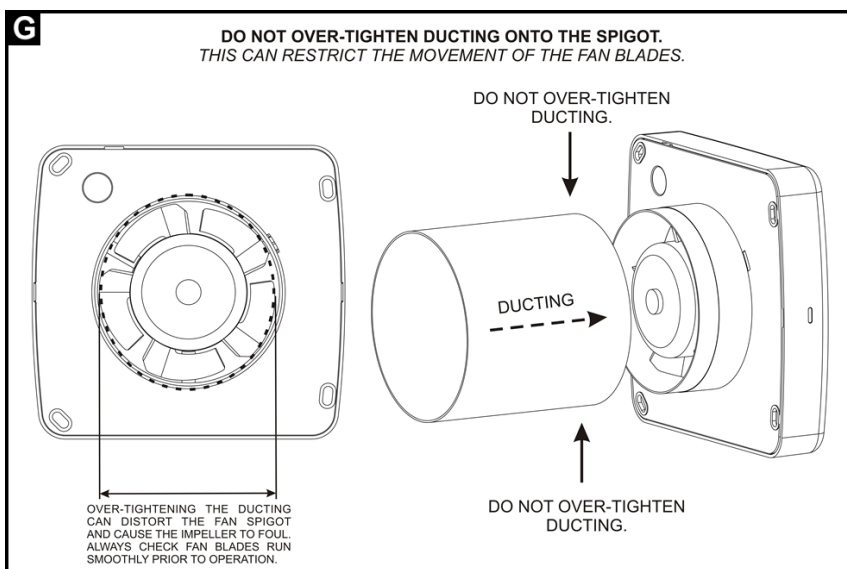
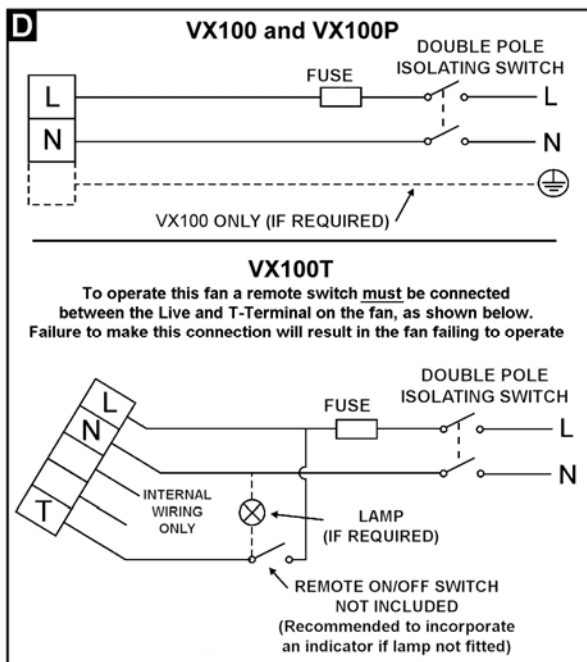
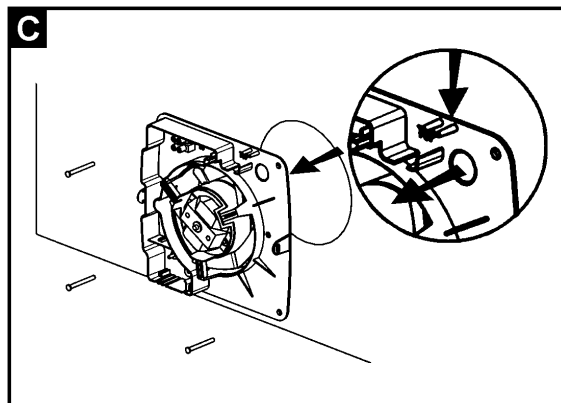
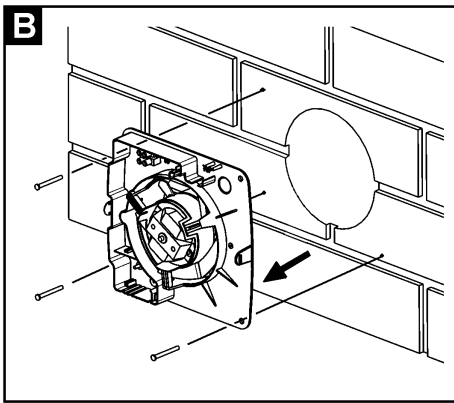
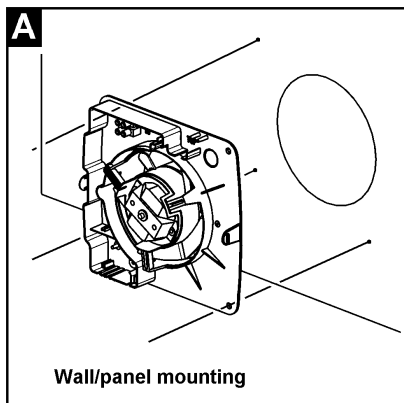
Do's and Don'ts

- Do read the entire instruction leaflet before commencing installation.
- Do install each fan with a means for disconnection in all poles in the fixed wiring.
- Do make sure the mains supply is switched off before attempting to make electrical connections or carry out any maintenance or cleaning.
- Don't install this fan in any window/panel, which is less than 4mm thick.

Guarantee

Customers outside the UK - Contact your local distributor for details.

UK - The fan is guaranteed against defects for 2 years from the date of purchase. Please keep your purchase receipt.



Redring Xpelair Group

