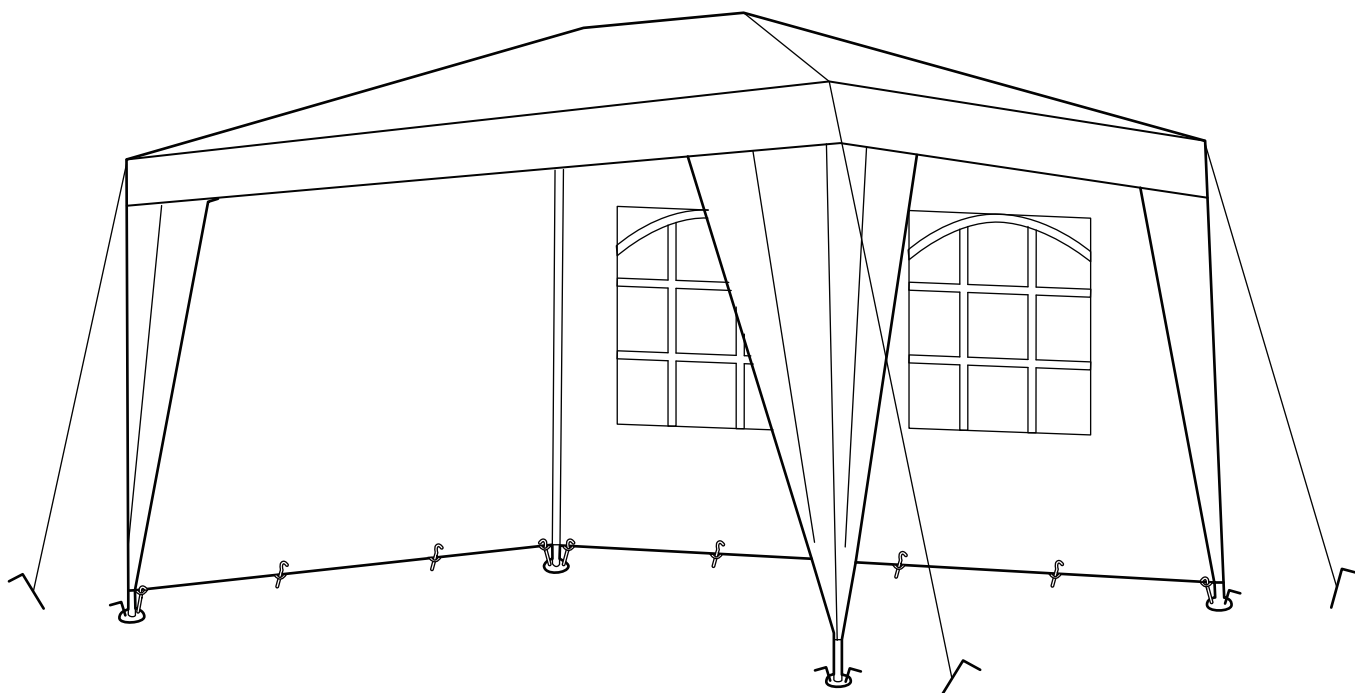


4x3M Waterproof Gazebo With 2 side Panels

Assembly Instructions - Please keep for future reference

601/4650



Dimensions

Width - 300cm

Depth - 400cm

Height - 265cm

Important – Please read these instructions fully before starting assembly

If you need help or have damaged or missing parts, call the

Customer Helpline: Argos = 0345 6400800

For further assistance please visit <http://www.argos-support.co.uk>

Address: 489-499 Avebury Boulevard Saxon Gate West, Central Milton Keynes Bucks, MK9, 2NW



IMPORTANT SAFETY INSTRUCTIONS

Read all instruction before using and keep for future reference

- Read these instructions carefully and familiarise yourself with the procedure before assembling the unit.
- Check that you have all the component parts following the list on the page 3 and familiarise yourself with each part before proceeding.
- Take all the fittings out of the plastic bag and separate them into their groups.
- Ensure you have enough space to lay out all the parts before assembly.
- To avoid scratching it is recommended that you assemble the unit on a soft level surface.
- Please keep children away when assembly. Please keep children under direct supervision of adult when using.
- **Please do not use the gazebo under windy condition.**
- Always use guy rope and pegs to secure the gazebo when using.
- This Gazebo is not a permanent structure and should be disassembled and stored away after using.
- Do not repack your Gazebo until completely dry.
- We recommend assembly by four persons under light or no wind conditions.
- This Gazebo must not be left erect in windy conditions.
- Keep the Gazebo Fabric away from screws, nails, staples, hooks, etc to avoid damage to the fabric and frame.
- **Warning:** The unit weight approximately 17.5 kgs.
- **Please lift with care.**

CAUTION

Fire precautions

- Do not place the Gazebo near lights, fireplaces, gas or electric heaters, candles, radiators, or any other sources of heat, fire or flammable liquids.
- This Gazebo features a Fabric cover that is not flame retardant.
- We recommend caution and common sense when in use.
- This Gazebo can burning.
- Do not use naked flames in or around the Gazebo. We recommend you advise no smoking while inside.
- This Gazebo has no flame retardant cooking area and should not be use to house BBQs or other cooking methods.

Safety

- To avoid any risks of suffocation to animals or children dispose of the plastic bags immediately.

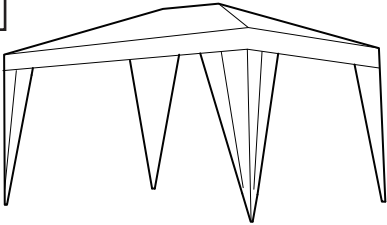
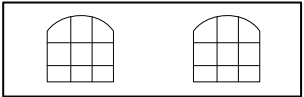

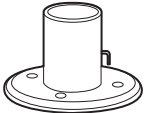
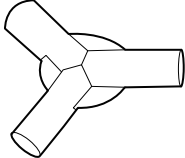
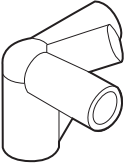
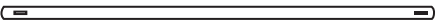
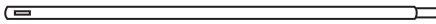
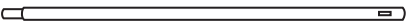
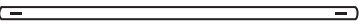
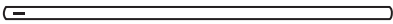
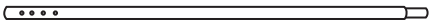


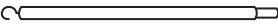
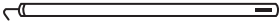
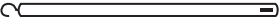
Cleaning

- As with all surfaces clean with a damp cloth and mild detergent, do not use bleach or abrasive products.

Components - Parts & Fittings

If you have damaged or missing components, call the **Customer Helpline: Argos = 0345 6400800**

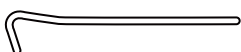
Please check you have all the parts listed below

<p>1</p>  <p>1 x Gazebo Cover</p>	<p>2</p>  <p>1 x panel w/window</p>	<p>3</p>  <p>1 x panel</p>
<p>4</p>  <p>4 x Baseplate</p>	<p>5</p>  <p>2 x Middle Joint</p>	<p>6</p>  <p>4 x Corner Joint</p>
<p>1#</p>  <p>4 x Top Pole (Φ18 x 1080mm)</p>	<p>2#</p>  <p>4 x Top Pole (Φ18 x 1095mm)</p>	<p>3#</p>  <p>8 x Support Pole (Φ24 x 1020mm)</p>
<p>4#</p>  <p>4 x Support Pole (Φ24 x 950mm)</p>	<p>5#</p>  <p>4 x Leg Pole (Φ31 x 1020mm)</p>	<p>6#</p>  <p>4 x Leg Pole (Φ31 x 1045mm)</p>
<p>7#</p>  <p>2 x Supplemental Pole(Φ24x1070mm)</p>	<p>8#</p>  <p>1 x Top Pole (Φ18 x 980mm)</p>	<p>10#</p>  <p>6 x Top Pole (Φ15 x 795mm)</p>
<p>11#</p>  <p>2 x Top Pole (Φ15 x 765mm)</p>	<p>12#</p>  <p>4 x Top Pole (Φ15 x 805mm)</p>	

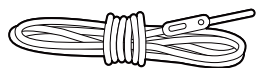
Components - Fittings

Please check you have all the fittings listed below

Note: The quantities below are the correct amount to complete the assembly. In some cases more fittings may be supplied than are required.



A Peg x 17



B Guy rope x 4

Assembly Instructions

Stage 1 – Fitting the Support Poles

Step 1

Insert Support Pole 4# into the Support Poles 3#
Meanwhile, insert Support Pole 7# into Support Pole 3#.

Ensure all the poles are fully inserted and secure.

See fig. 1&2

IMPORTANT: Because of the size of this unit we recommend that it is built in the place intended for using

NOTE: Locate the unit on the flat Ground free from obstruction, in a sheltered area away from wind and heavy rain as they will damage the unit.

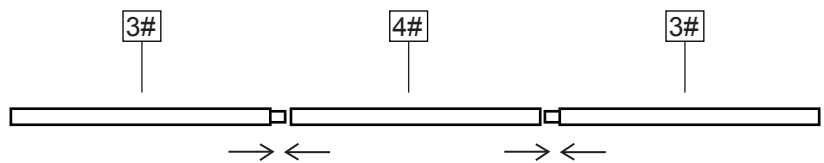


Fig.1

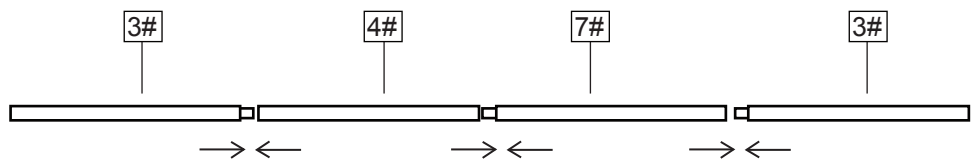


Fig.2

Step 2

Use Corner Joints 6 to connect the Support Poles. Ensure all the poles are fully inserted and Secure.

See fig.3.

NOTE: It would be useful to ask someone to help you at this step.

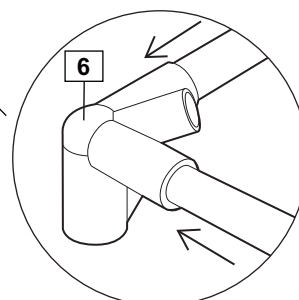
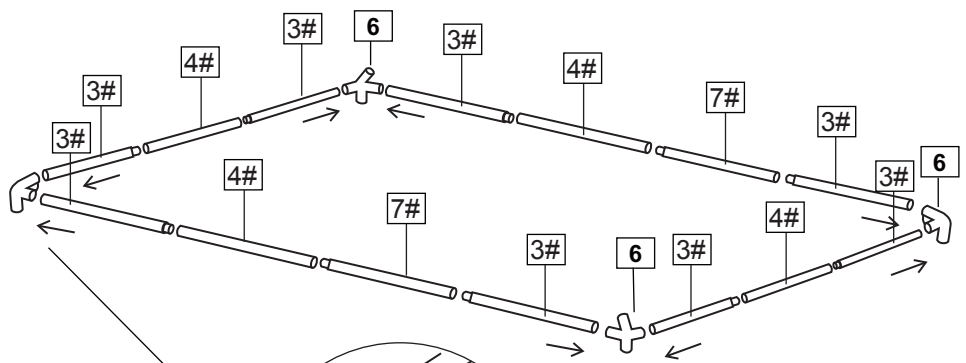


Fig.3

Assembly Instructions

Stage 2 – Fitting the Top Poles

Step 3

Insert Top Poles **2#** into the Top Poles **1#**.
Meanwhile insert Top Poles **10#** into the Top Poles **12#**. Ensure all the poles are fully inserted and secure. See fig. 4&5

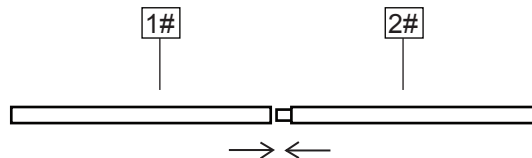


Fig.4

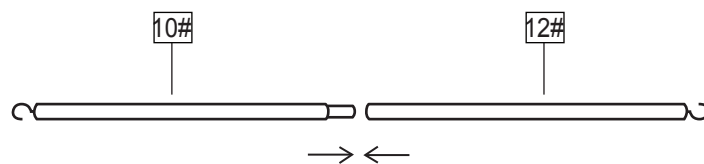


Fig.5

Step 4

Connect the Top Poles **1#** & **2#** to Corner joint **6** and Centre Connector **5**, then put Tube **8#** into Centre Connector **5** ensuring all poles are fully pushed into joins. See fig 6.

Use hooks provided at the end of pole **10#** and pole **12#** connecting pole **8#** - **4#** & **7#**. See fig.6.

NOTE: It would be useful to ask someone to help you at this step.

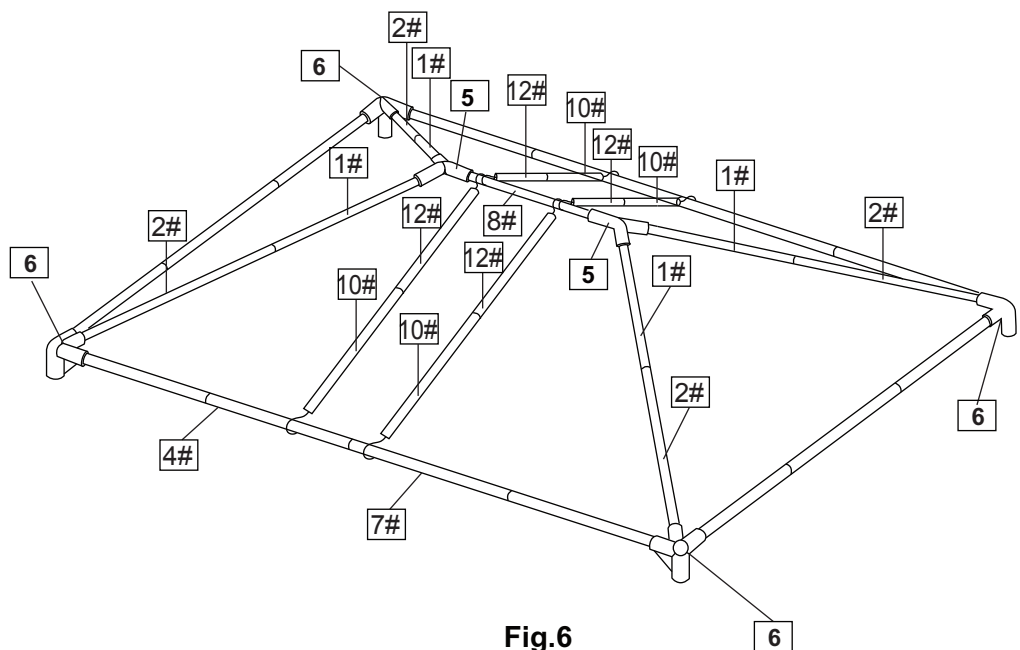


Fig.6

Assembly Instructions

Stage 3 – Fitting the Gazebo

Step 5

Connect the top pole **10#** & **11#**.

Use hools provided at the end of pole **10#** and **11#** connecting pole **4#** and middle joint **5**.

Insert Leg Pole **5#** into the unit. Ensure all the poles are fully inserted and secure. See fig. 7.

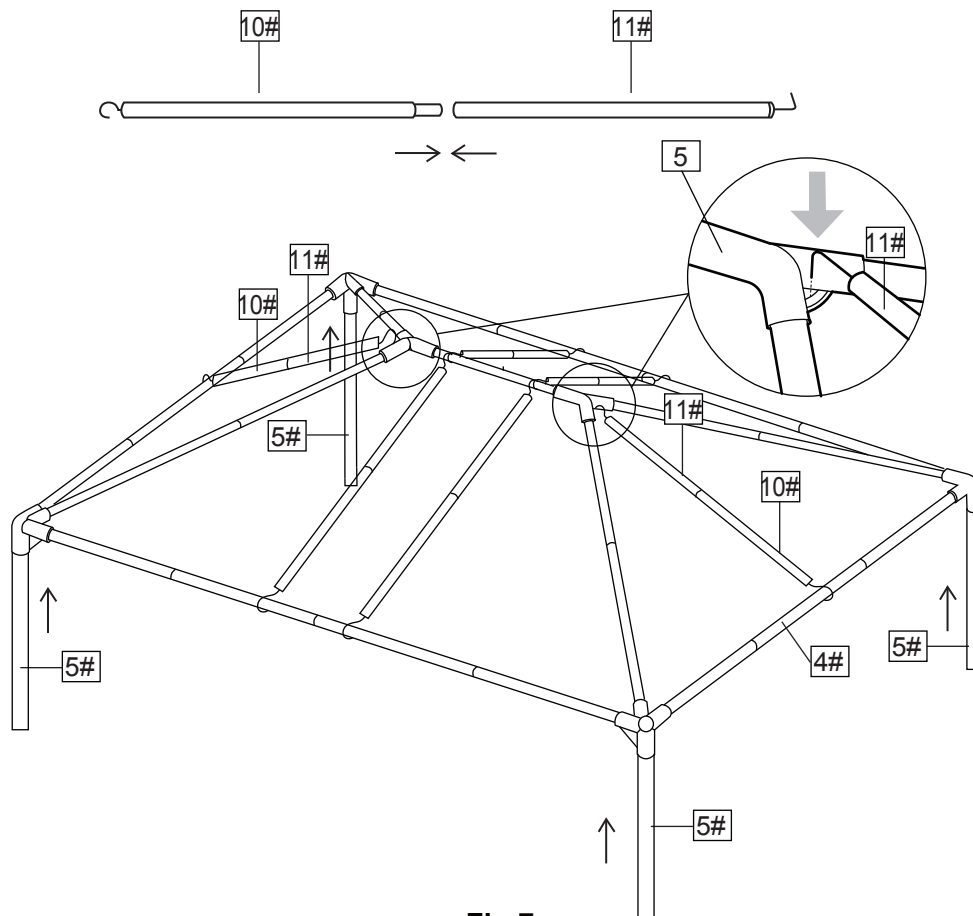


Fig.7

Step 6

Carefully place the Gazebo Cover **1** over the assembled roof. Then pull the Gazebo tightly over the assembled roof frame. See fig.8.

a: Use the velcro tapes top frame as shown

NOTE: It would be useful to ask someone to help you at this stage.

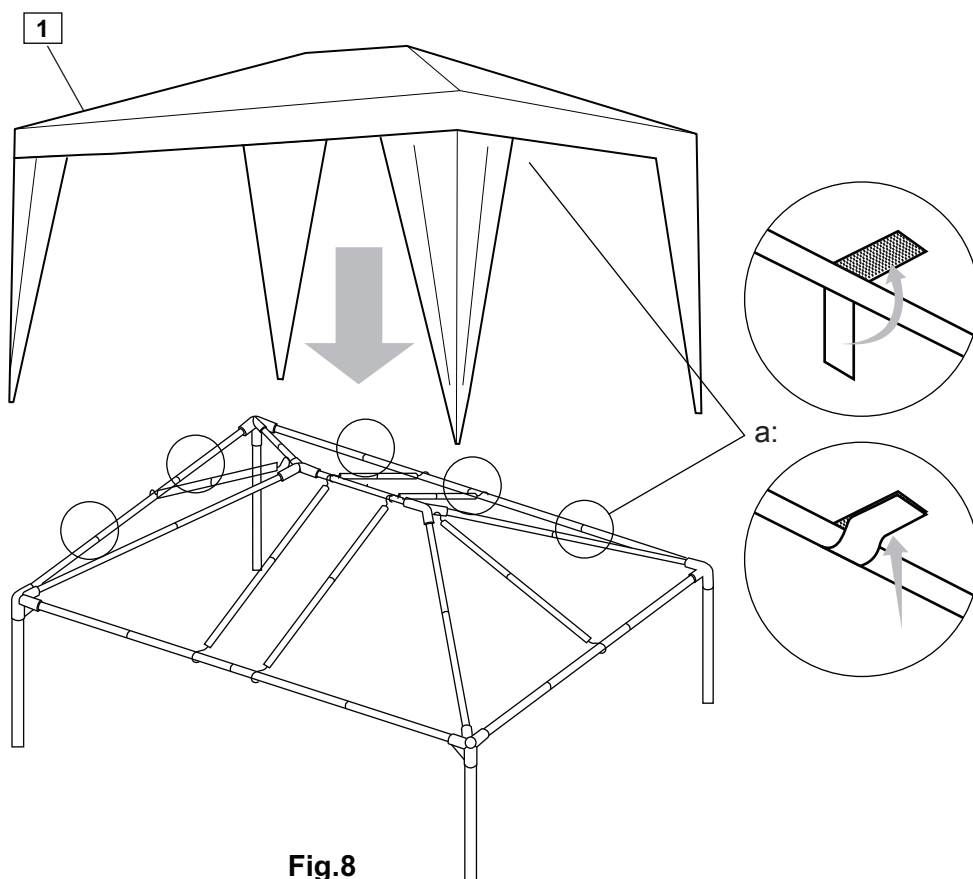


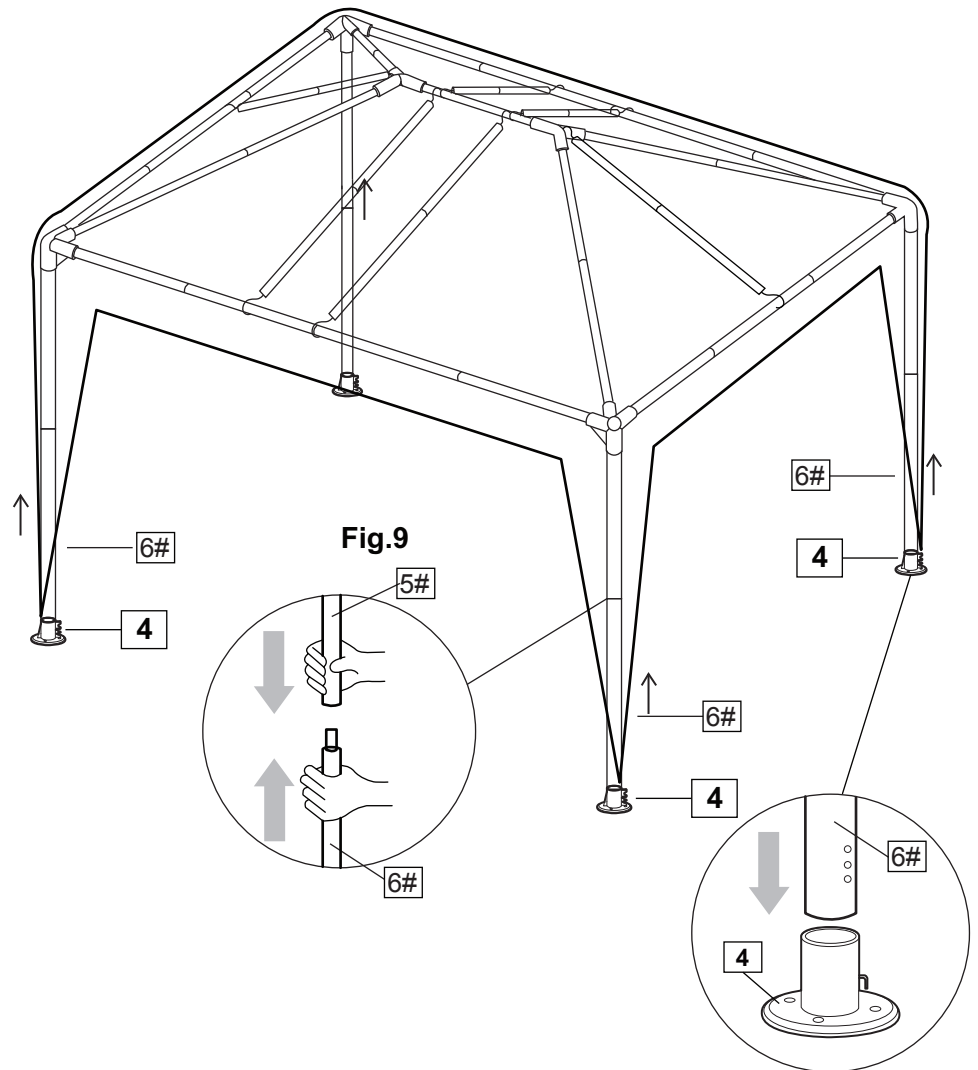
Fig.8

Assembly Instructions

Stage 4 – Fitting the Legs

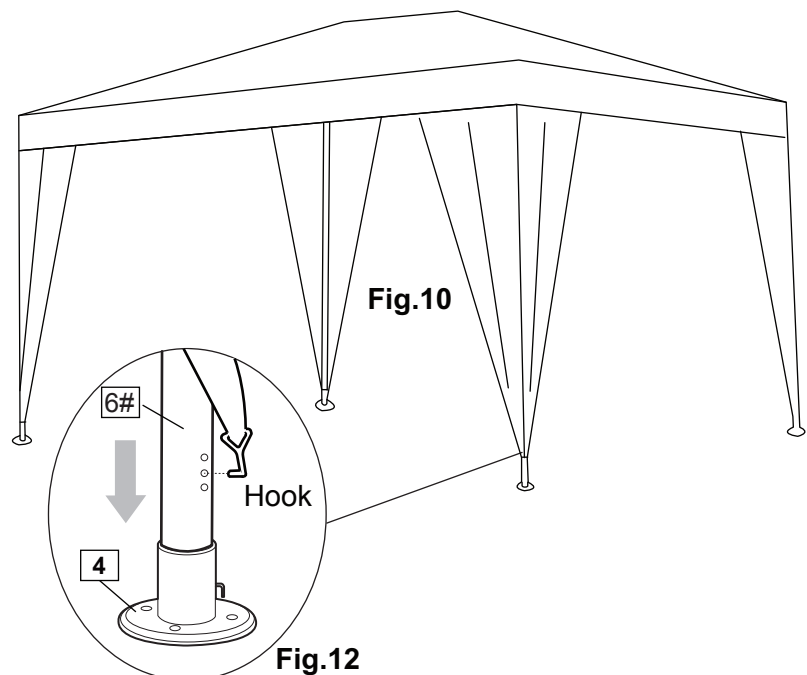
Step 7

Insert the Baseplate **4** into the Leg Poles **6#**. Then insert the Leg Poles **6#** into the unit. Ensure all the poles are fully inserted and secure. See fig. 9.



Step 8

Attach the Gazebo Cover's Hooks into holes on the Leg Poles **6#**. Tighten by moving the Hook to a lower hole. See fig.12.



NOTE: It would be useful to ask someone to help you at this step.

Assembly Instructions

Stage 5 – Fitting the Guy Ropes

Step 9

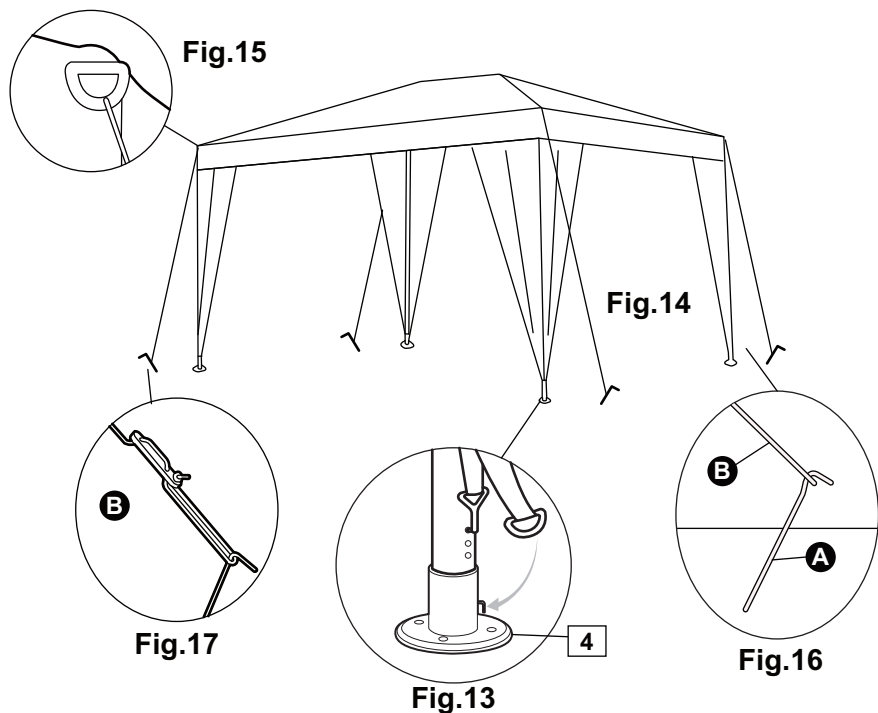
Attach the D Ring into the Baseplates **4**.
See fig. 13.

Attach the end of the Guy Rope **B** to the corner of the top cover ring on the Gazebo. Then attach one end to the peg and drive the Peg into the ground.
See fig. 15, 16 and 17.

Use the same method as in fig. 14 to fix the other Guy Ropes.

The length of Guy Ropes can be adjusted.
See fig. 17.

NOTE: The pegs are for location purpose only. They will not support the unit in high winds.

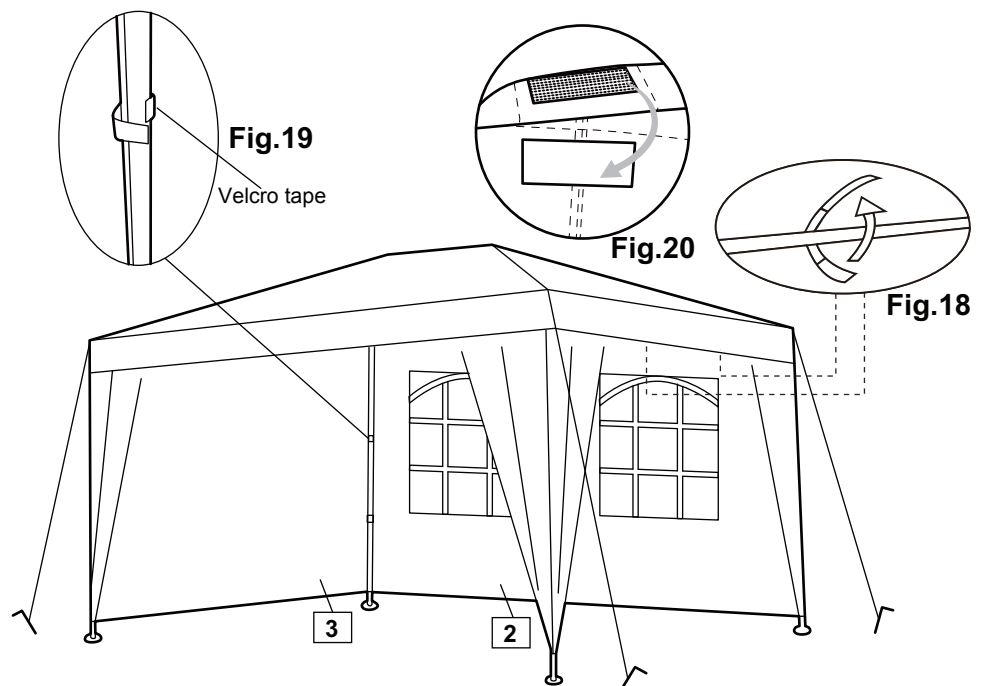


Step 10

Caution: Do not assemble or disassemble during strong winds.

Attach the Panels both **2** and **3** at the top using the Velcro tapes and secure the Panels to the Gazebo legs by Velcro Tapes at side
See fig. 18, 19.

Stick the roof velcro tape with the panels **2** and **3**
See fig. 20



Assembly Instructions

Stage 6 – Fitting the Peg

Step 11

Insert the pegs **A** to the two panels at the bottom. See fig.21.

Use the pegs **A** to fix the baseplates **4**. If the baseplate is beside the panels, the pegs first need through fabric buckles at the bottom of panels, then insert to the baseplates **4**. See fig.22.

Assembled one is shown as right. See fig.23.

Assemble is complete.

NOTE: It would be useful to ask someone to help you at this step.

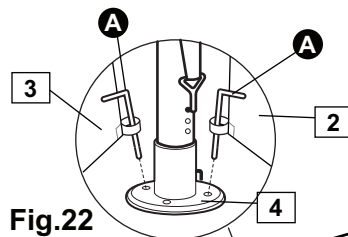


Fig.22

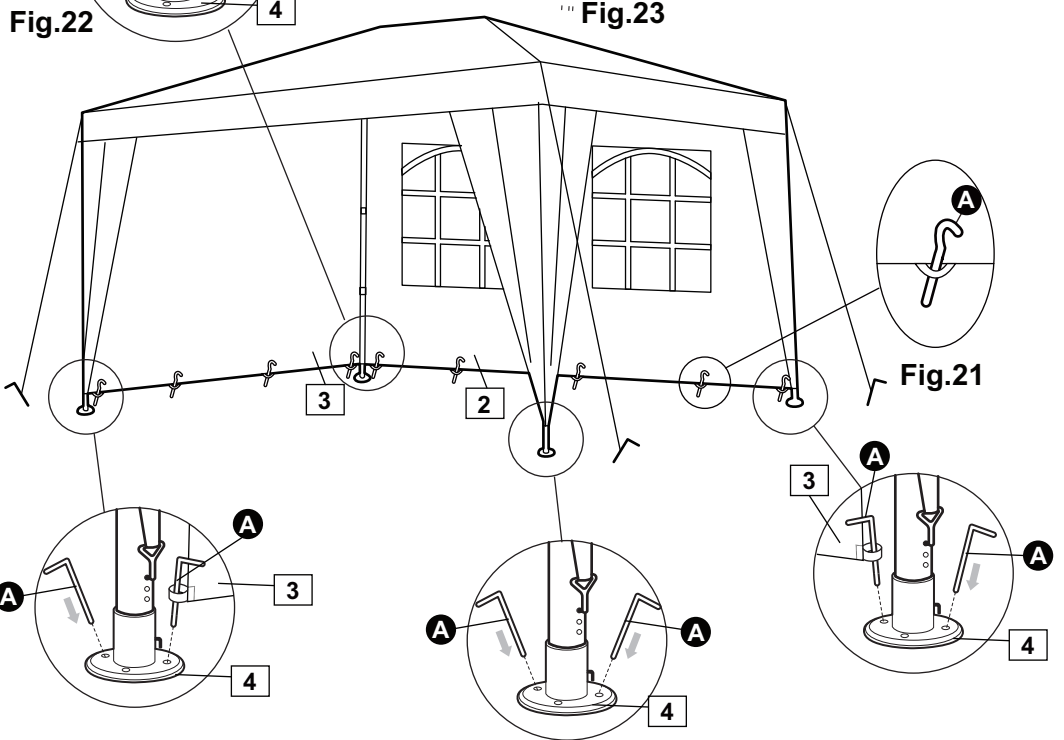


Fig.23

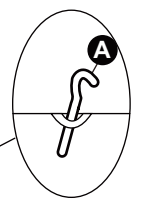


Fig.21

Warning: in heavy wind , if you want to leave the gazebo outside , please remove the side panels



Important: always use this product with caution and read the important safety instructions.

If you need help or have damaged or missing parts, call the

Customer Helpline: Argos = 0345 6400800

For further assistance please visit <http://www.argos-support.co.uk>

Address: 489-499 Avebury Boulevard Saxon Gate West, Central Milton Keynes Bucks, MK9, 2NW