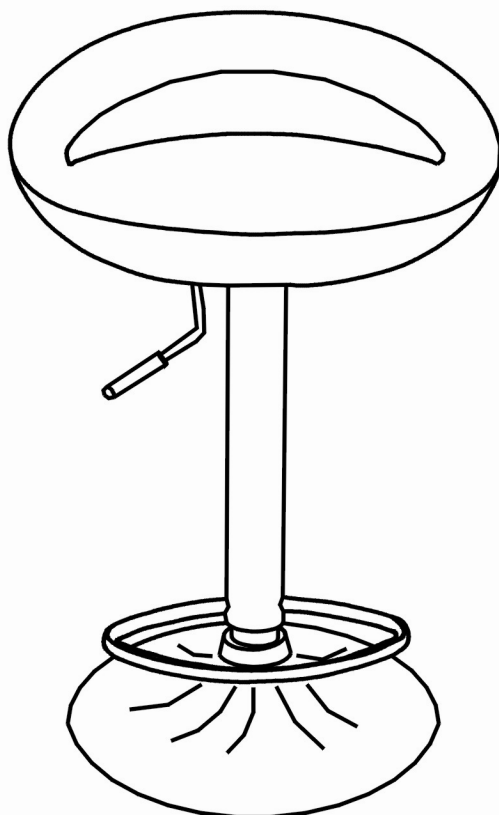


# Ottawa Bar Stool

## Assembly Instructions



Before you start, here is some helpful advice

1. We suggest you spend a short time reading through this leaflet and then follow the simple step by step instructions.

2. If you follow the instructions carefully the end result should be worth the effort.

3. Do not discard any of the packaging until you have checked that you have all the parts and the pack of fittings.

4. Assemble this product on a carpet.

5. To ensure an easier assembly, we strongly advise that all fittings are only finger tightened initial assembly. Only upon completion if the assembly should all fixing points be fully tightened.

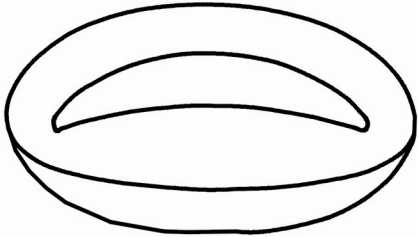

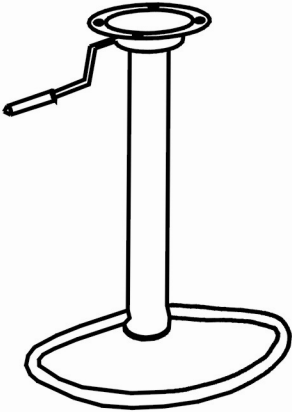
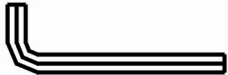
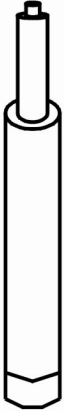

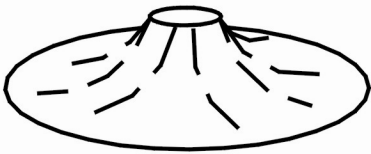
6. We recommend a periodic check on all fixing points to make sure they remain fully tightened.

7. Keep glue and fittings out of children's reach.

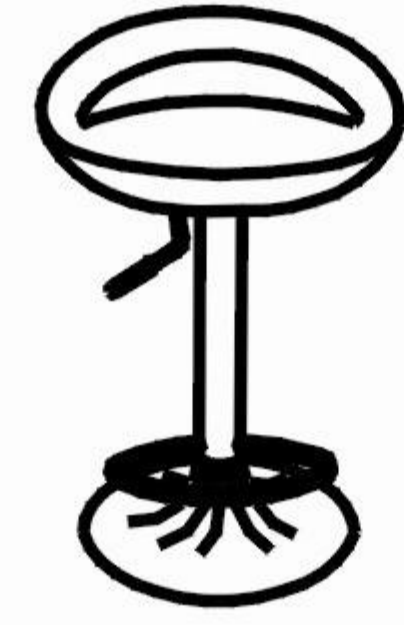
8. Cleaning: The seat should only be cleaned with a clean damp cloth. Never use harsh or abrasive cleaners as these will damage the surface. Dry off with a soft dry cloth.

After-sales telephone number for spare parts: 08456 400800

# Component parts and fittings contained in the box

PARTS	FITTINGS
<p>① QTY 1PC</p> 	 <p>① A QTY 4PCS</p>
<p>② QTY 1PC</p> 	 <p>② B QTY 1PC</p>
<p>③ QTY 1PC</p> 	
<p>④ QTY 1PC</p> 	
<p>⑤ QTY 1PC</p> 	

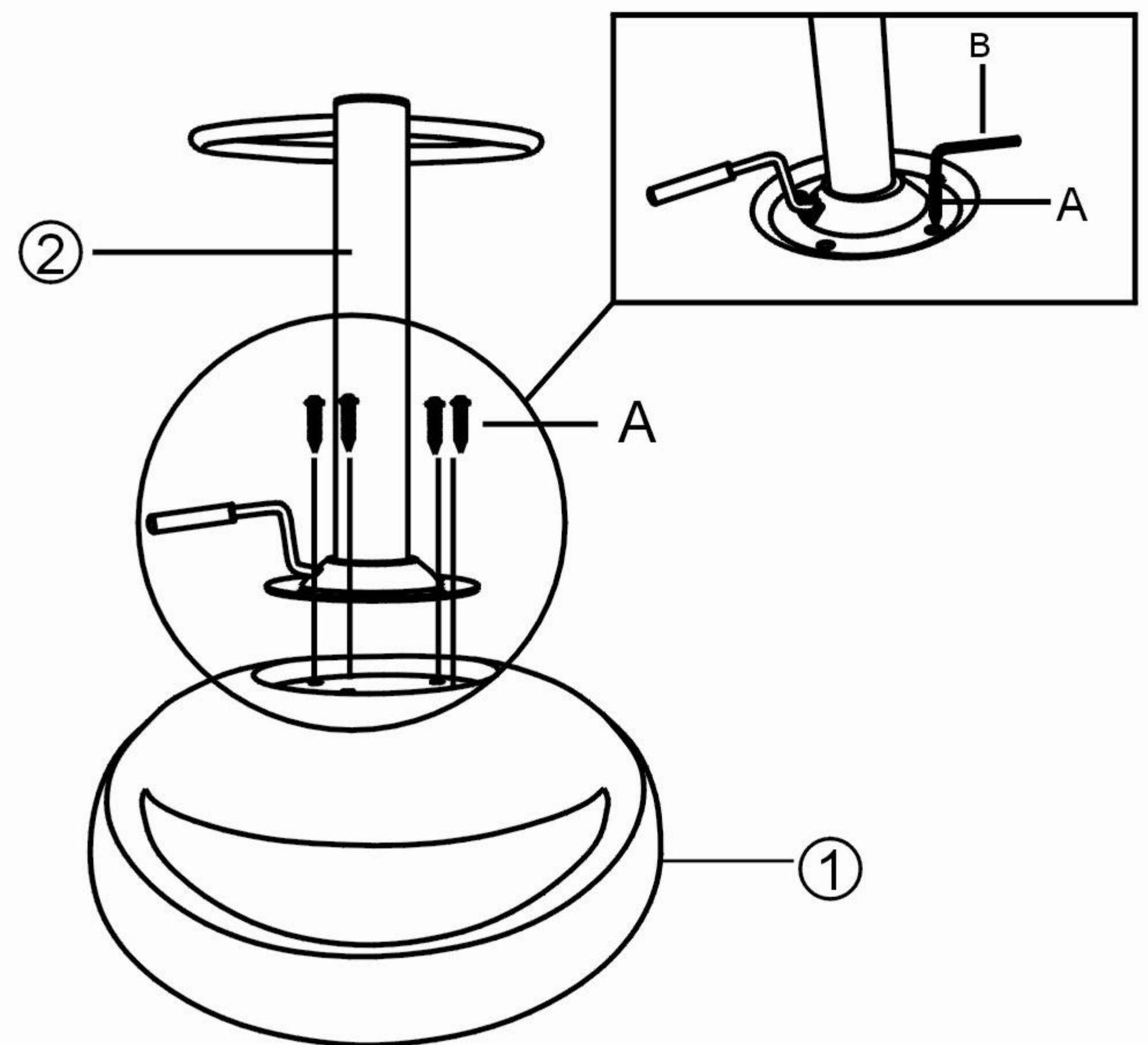
# ASSEMBLY



1) Place seat ① upside down onto clean flat surface.

2) Ensuring the height adjustment handle is at the side, assemble main stem ② to seat ① using fixings ④.

## STEP 1

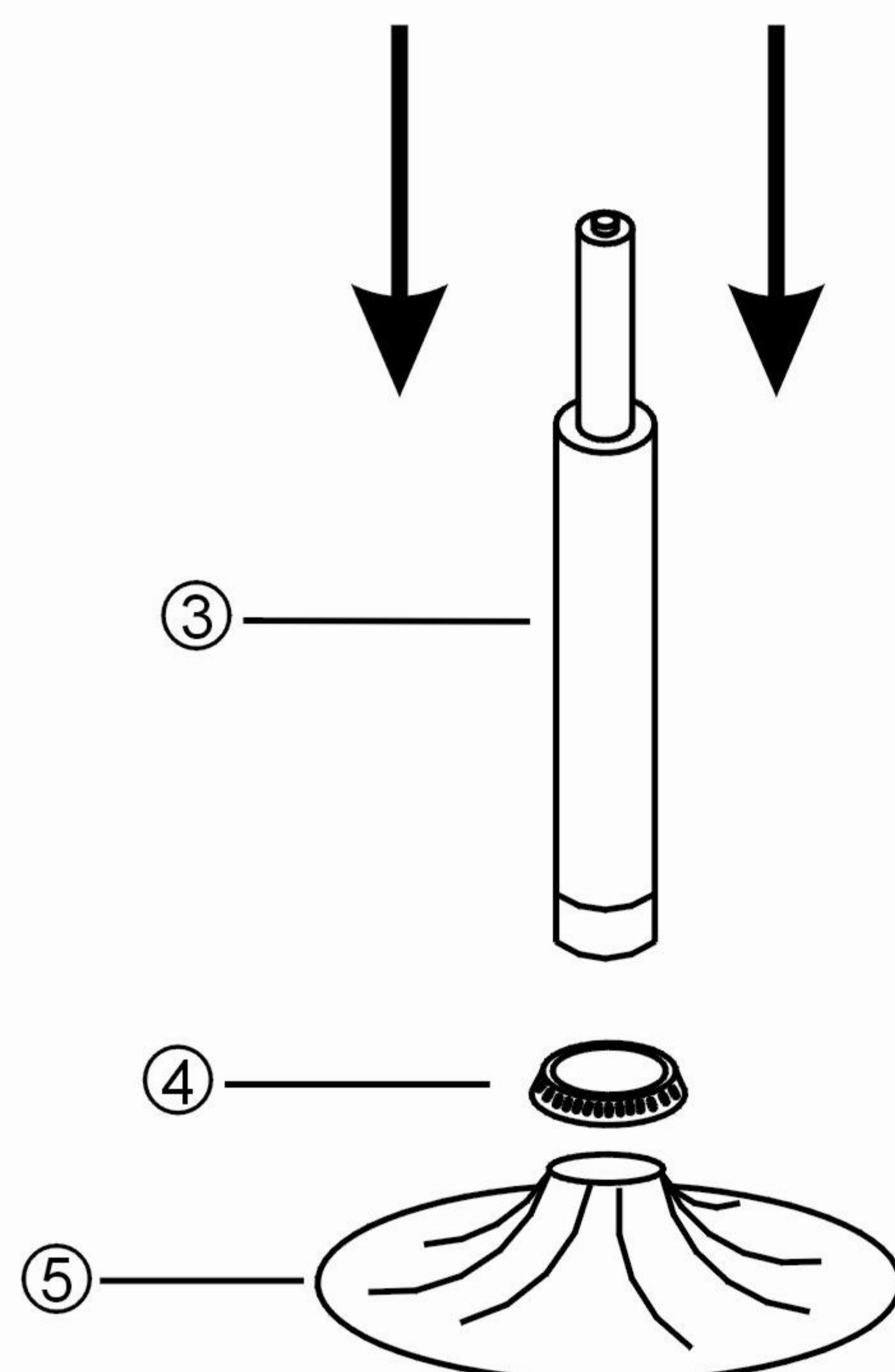


1) Place base ⑤ onto the floor.

2) Locate collar ④ onto the base.

3) Firmly push piston ③ into the base.

## STEP 2

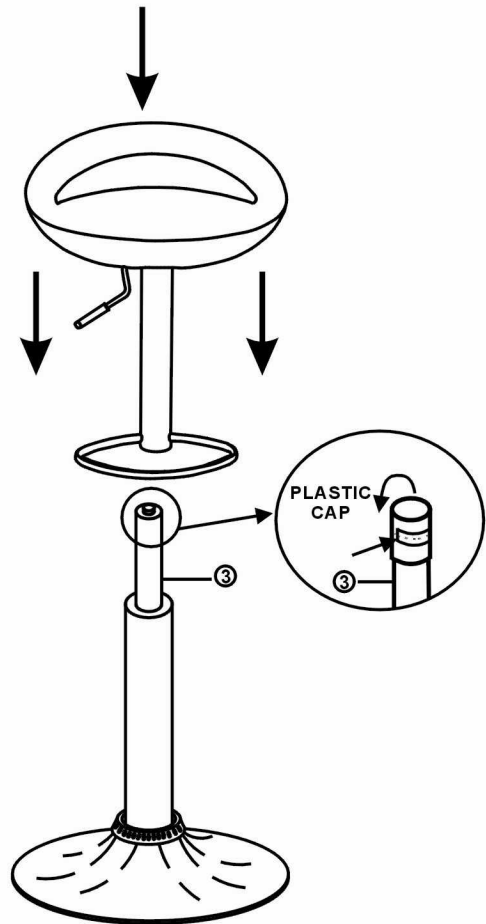


# ASSEMBLY



## STEP 3

- 1) First remove the black plastic cap on top of cylinder ③
- 2) Carefully lower seat assembly onto the end of piston ④ until the piston is located into the seat.
- 3) Firmly push down on the seat to ensure it is securely located.
- 4) Sit on the seat and operate the height adjuster.



**Note: IF the adjuster will not function correctly, remove the seat assembly, and depress the top of the piston to fully extend it. Re-assemble the seat and try adjuster again.**

