

Ottawa Bar Stool

Assembly Instructions - Please keep for future reference

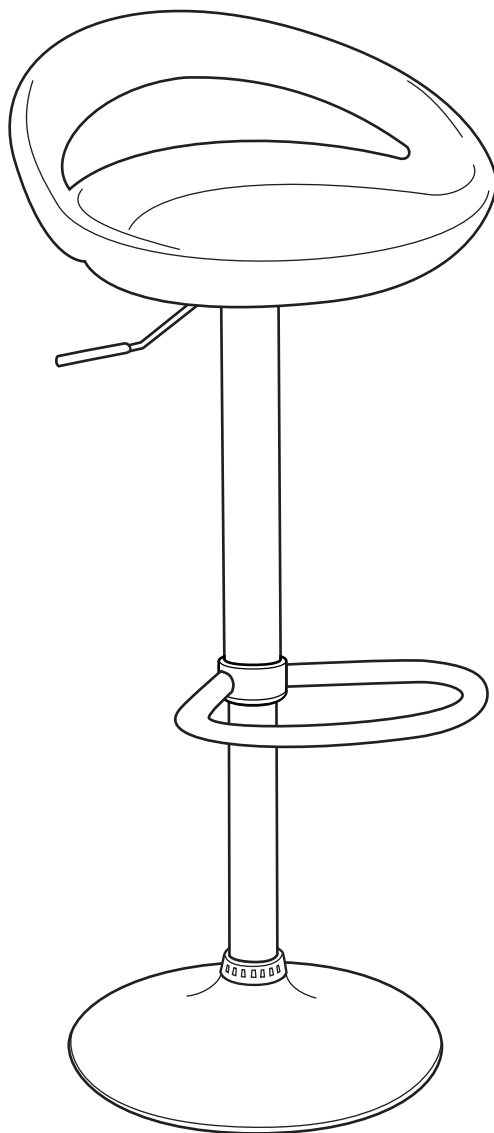
600/0444

600/5645

600/0468

642991

627379



Dimensions

Width - 47cm
Depth - 45cm
Height - 78-100 cm

Important - Please read these instructions fully before starting assembly

If you need help or have damaged or missing parts, call the **Customer Helpline: 08456 400800**



Safety and Care Advice

Important - Please read these instructions fully before starting assembly

- We suggest you spend a short time reading through this leaflet and follow the simple step by step assembly instructions.
- Do not discard any of the packaging until you have checked that you have all the parts and the pack of fittings.
- Assemble this product on a flat surface.

- Assemble all parts loosely before tightening any bolts.
- Discard all extra fittings and keep fittings out of reach of children.
- Unit weight: 6.3kgs.
- Maximum safe weight of user: 100kgs.
- Retain Assembly Instructions for future reference.



- We do not recommend the use of power drill/drivers **for inserting screws**, as this could damage the unit. Only use hand screwdrivers.
- Dispose of all packaging care fully and responsibly.

Warnings

- Do not stand on the stool.
- Do not use the stool as a step ladder.
- Do not sit with sharp objects in back pockets as this may damage the seat surface.
- Do not knock the surface of the seat against sharp solid surfaces.

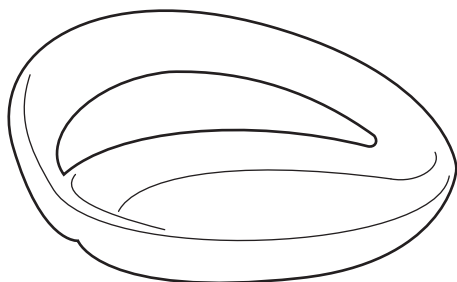
Care and maintenance

- Please clean the seat surface using either damp (not wet) cloth and a mild domestic soap solution or by using an appropriate polish.
- Do not use any abrasive materials when cleaning.
- From time to time check that there are no loose bolts on this unit.

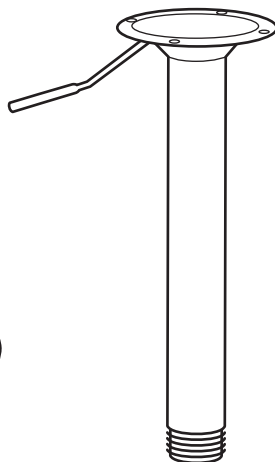
Components - Parts

If you have damaged or missing components, call the **Customer Helpline: 08456 400800**

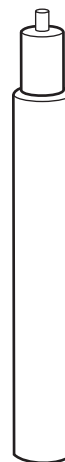
Please check you have all the parts listed below



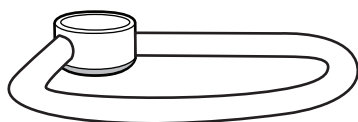
1 Seat
(41 x 47 x 23.5cm)



2 Upper leg
(Ø5.8 x 39.5 x 16cm)



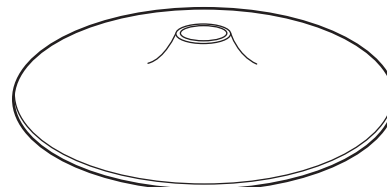
3 Gaslift
(Ø5 x 50-72cm)



4 Footrest
(29 x 21 x 3.3cm)



5 Decor ring
(Ø6.3 x 7.5 x 2.2cm)

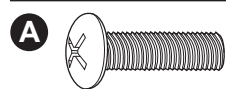


6 Base
(Ø38.5 x 8.5cm)

Components - Fittings

Please check you have all the fittings listed below

Note: The quantities below are the correct amount to complete the assembly. In some cases more fittings may be supplied than are required.



M6 x 15mm Bolt x 4



Washer x 4



Stud bolt x 1



Allen key x 1

Tools required



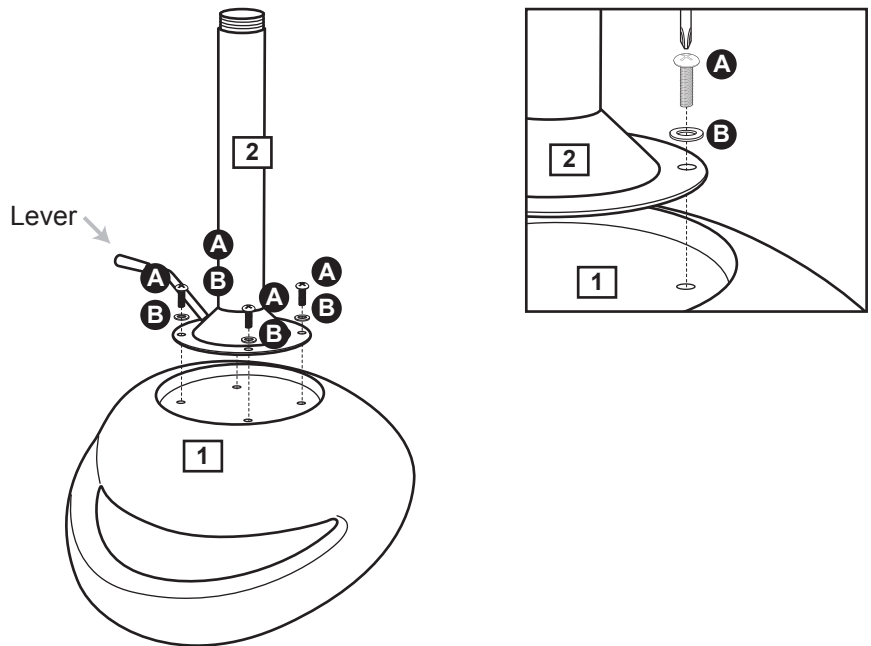
Crosshead
Screwdriver

Assembly Instructions

Step 1

Attaching upper leg

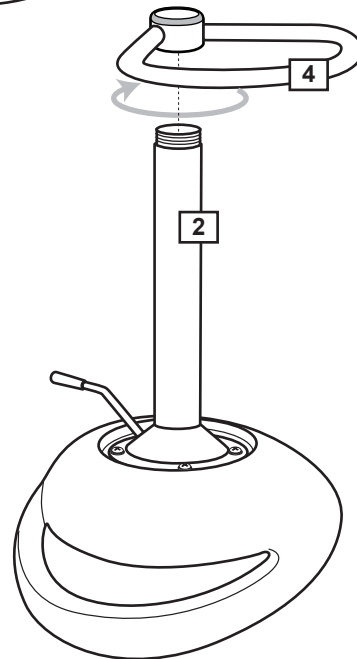
Place the seat **1** upside down on a flat protected surface. Position the upper leg **2** and make sure that the lever is at your left hand side as shown in the diagram. Secure using washer **B** and bolt **A**. Tighten bolts using a screwdriver.



Step 2

Attaching footrest

Connect the footrest **4** into the upper leg **2** by turning it clockwise.



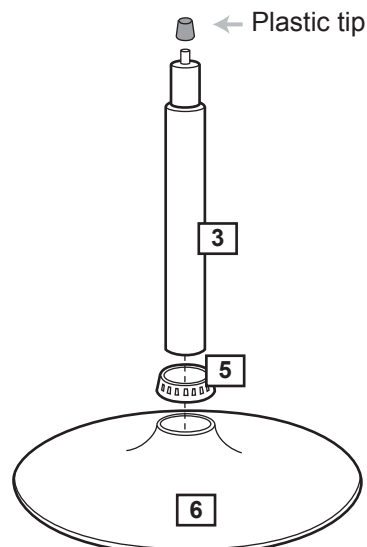
Step 3

Attaching gaslift

Place the base **6** on a flat protected surface. Position the decor ring **5** on the base and insert the gaslift **3** into the decor ring and hole of the base.



Important: Remove plastic tip cover on gaslift before assembling.

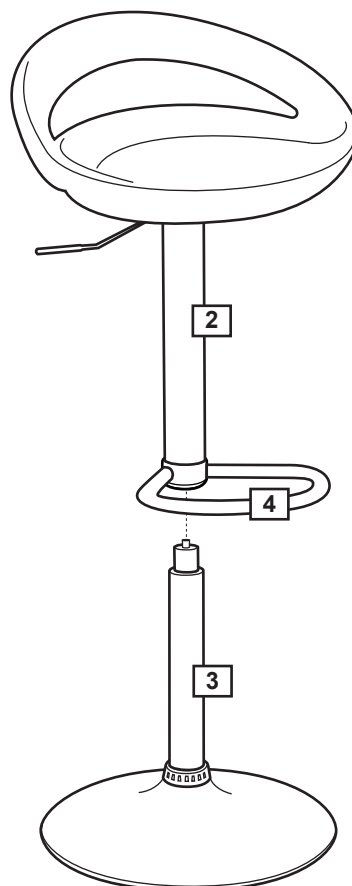


Assembly Instructions

Step 4

Attaching the seat

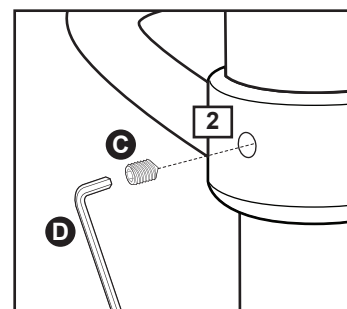
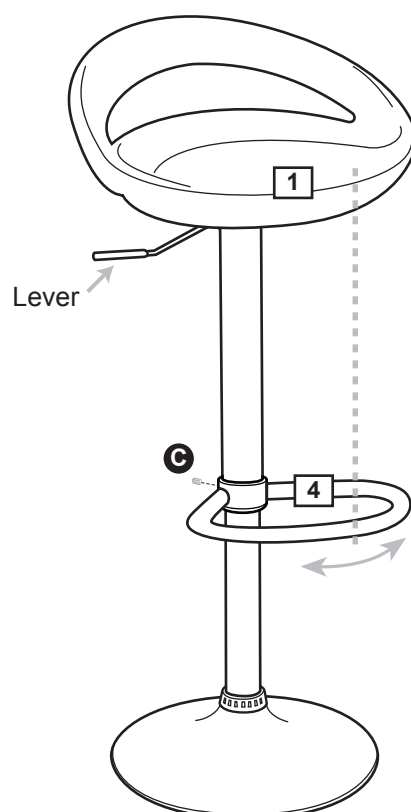
Position the seat as shown and insert the gaslift **3** into the upper leg **2**. Secure by pressing down the seat firmly.



Step 5

Securing footrest

Adjust the footrest **4** and make sure to centre align it with the seat **1**. Then secure using stud bolt **C** as shown and tighten using allen key **D**.



Gaslift operation

To adjust the seat higher, lift up the lever under the seat and release at desired height.

To lower the seat, lift up the lever while seated on the stool.

Assembly is complete.

If you need help or have damaged or missing parts, call the **Customer Helpline: 08456 400800**