

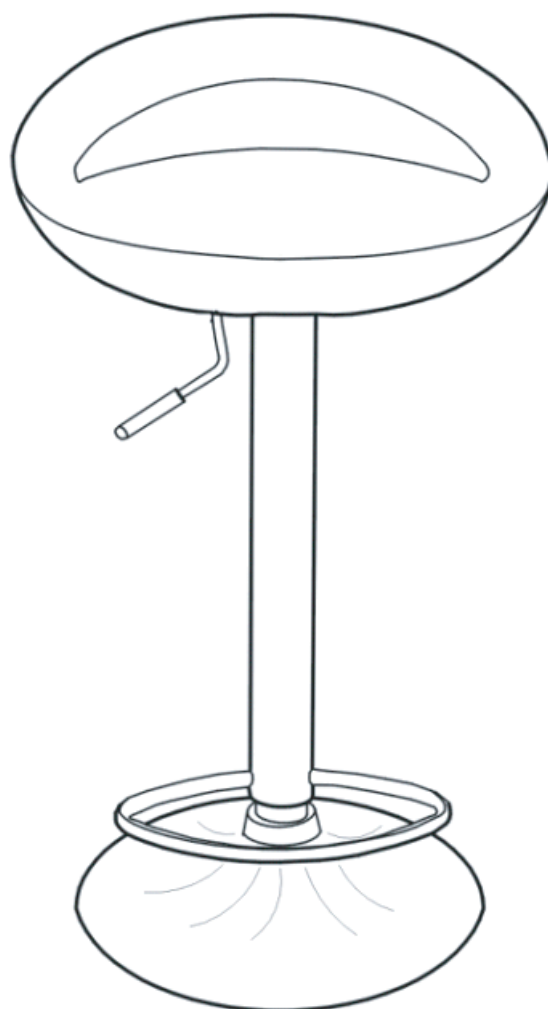
Ottawa Bar Stool

Assembly Instructions - Please keep for future reference

600/0444

600/0468

600/1429



Dimensions

Width - 46.5cm

Depth - 39.5cm

Height - 98.5cm

Important - Please read these instructions fully before starting assembly

If you need help or have damaged or missing parts, call the **Customer Helpline:08456 400800**



Safety and Care Advice

Important – Please read these instructions fully before starting assembly

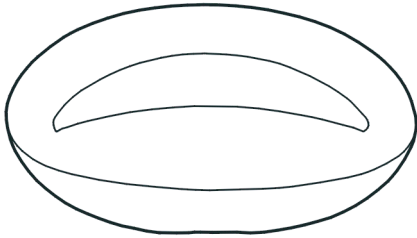
- Check you have all the components and tools listed on pages 2 and 3.
- Keep these instructions for future use.
- Dispose of all packaging carefully and responsibly.
- Place the product on flat and steady surface during use.
- Keep children and animals away from the work area, small parts could choke if swallowed.

Care and maintenance

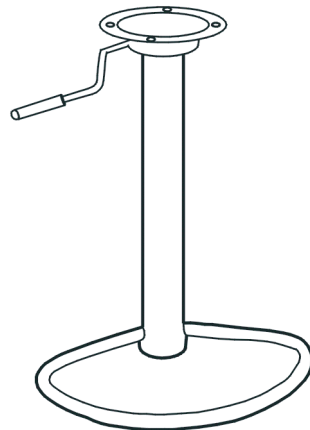
- Clean using a damp cloth or a proprietary domestic furniture polish. Do not use abrasive cleaners.
- This product should not be discarded with household waste. Take to your local authority waste disposal only.
- From time to time check that there are no loose screws on this unit.

Components - Parts

Please check you have all the parts listed below



1 Seat pad (46x17cm)



2 Stem (42x30cm)



3 Piston (52x5.8cm)



4 Collar (7.5x2cm)



5 Base (38x8cm)

Components - Fittings

If you have damaged or missing components, call the **Customer Helpline: 08456 400800**

Please check you have all the fittings listed below

Note: The quantities below are the correct amount to complete the assembly. In some cases more fittings may be supplied than are required.

A



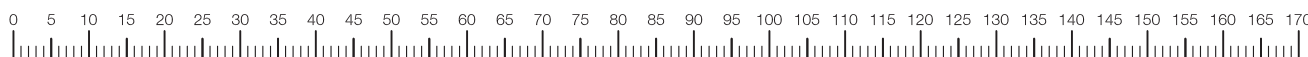
Allen screw x 4

B



Allen key x 1

Ruler - Use this ruler to help correctly identify the screws



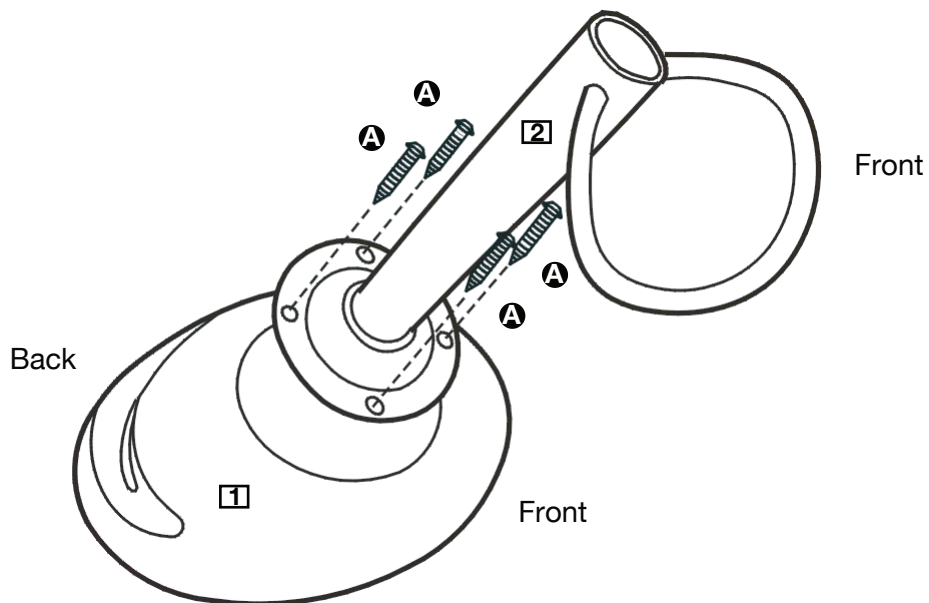
Assembly Instructions

Step 1

Attaching seat frame

Place seat pad **1** upside down onto a clean flat surface.

Ensuring the foot rest is at the front, assemble main stem **2** to seat pad **1** using fixings **A**.



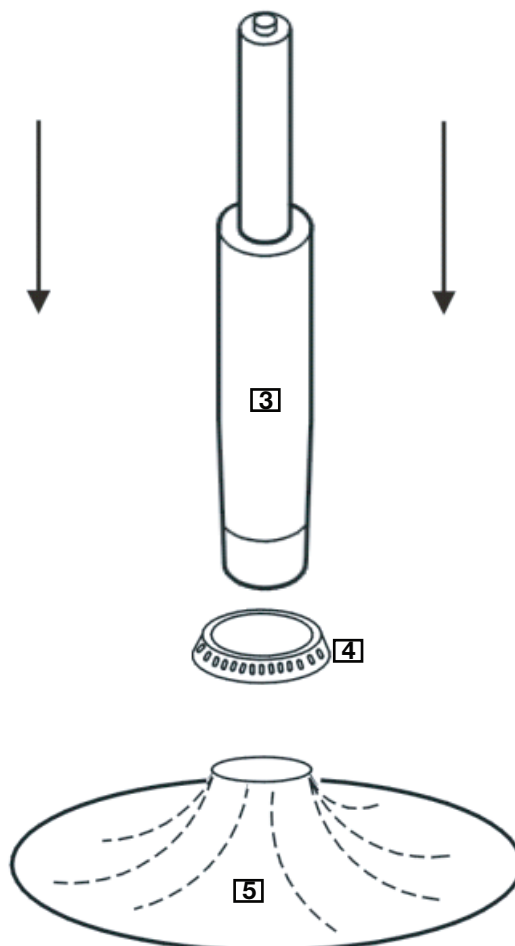
Step 2

Attaching base frame

Place base **5** onto the floor.

Locate collar **4** onto the base.

Firmly push piston **3** into the base.



Assembly Instructions

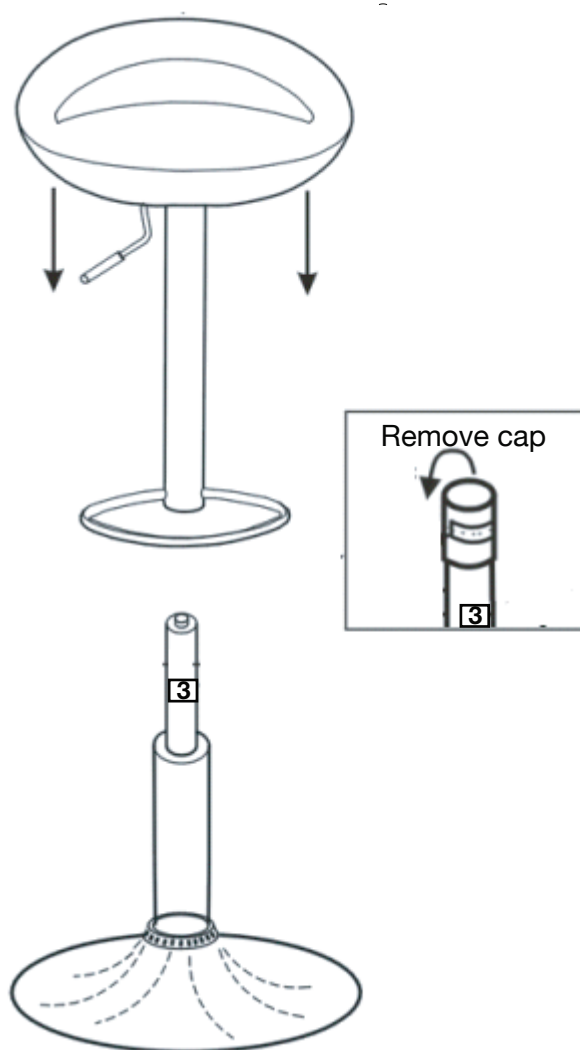
Step 3

Attaching seat frame and base frame

First remove the black plastic cap on top of cylinder **3**.

Carefully lower seat assembly onto the end of piston **3** until the piston is located into the seat.

Firmly push down on the seat to ensure it is securely located.



Assembly Instructions

Step 4

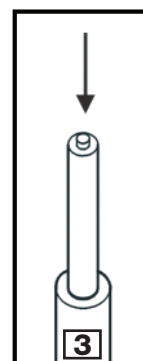
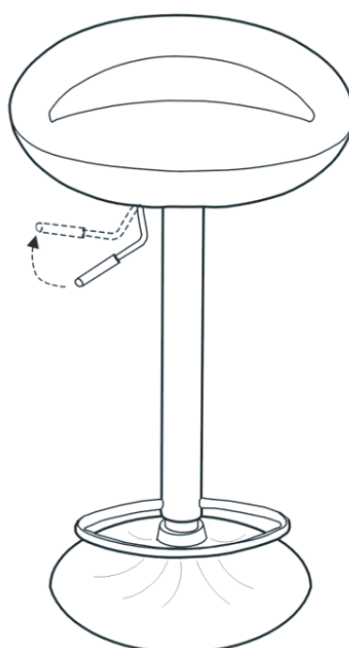
Height adjustment

The lever on the right hand side of the chair can be used to adjust the chair height.

Simply lift the handle to operate.

Note: Due to dryness of the seals during shipping, it may take several attempts to operate the height adjustment function first time.

Note: If the adjuster will still not function correctly, remove the seat assembly and depress the top of the piston to fully extend it. Re-assemble the seat and try adjuster again.



Assembly is complete.

If you need help for have damaged or missing parts, call the **Customer helpline:08456 400800**
Home Retail Group. 489-499 Avebury Boulevard. Saxon Gate West. Central Milton Keynes. MK9 2NW