

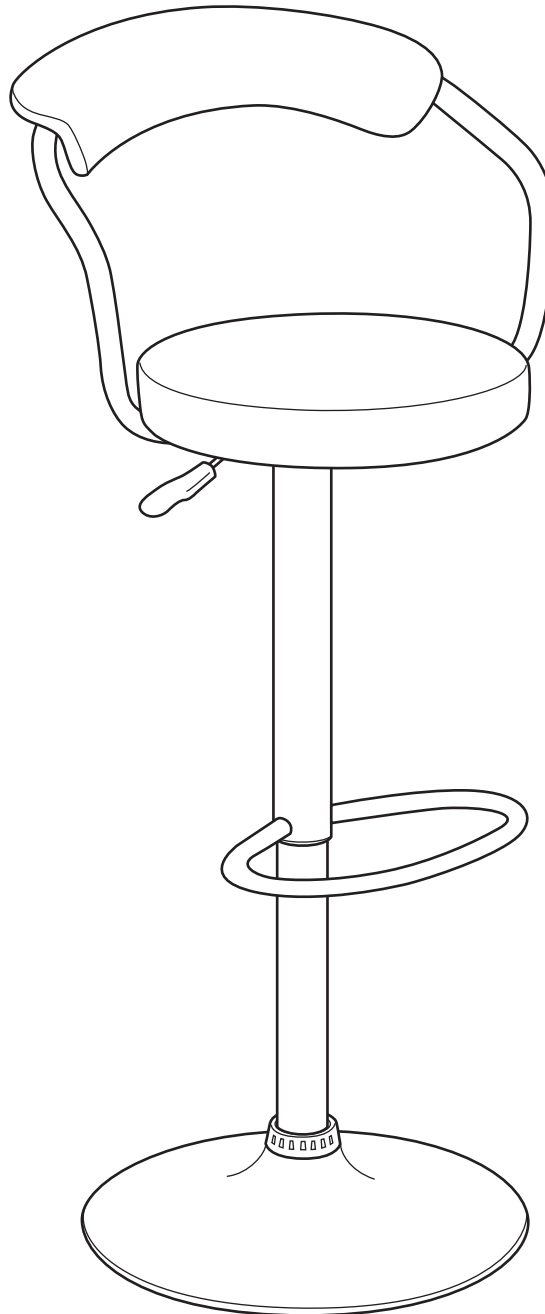
Executive Gas Lift Bar Stool

Assembly Instructions - Please keep for future reference

600/0372

600/1522

239/6011



Dimensions

Width - 51cm

Depth - 51cm

Height - 87.5-107.5cm

Important - Please read these instructions fully before starting assembly

If you need help or have damaged or missing parts, call the **Customer Helpline:**
Argos = 0345 640 0800



Safety and Care Advice

Important - Please read these instructions fully before starting assembly

- Check you have all the components and tools listed on the following pages.
- Remove all fittings from the plastic bags and separate them into their groups.
- Keep children and animals away from the work area, small parts could choke if swallowed.
- Make sure you have enough space to layout the parts before starting.
- Parts of the assembly will be easier with 2 people.

- During assembly do not stand or put weight on the product, this could cause damage.
- Assemble the item as close to its final position (in the same room) as possible.
- Assemble on a soft level surface to avoid damaging the unit or your floor.
- Do not stand on the stool.
- Do not use this stool as step ladder.



- To reduce the likelihood of damaging your product please ensure that your power drill is set on a low torque setting.
- Unit weight: 7.68 kgs.
- Maximum safe weight of user: 110kgs.

Care and maintenance

- Only clean using a damp cloth and mild detergent, do not use bleach or abrasive cleaners.
- From time to time check that there are no loose screws on this unit.
- This product should not be discarded with household waste. Take to your local authority waste disposal centre.

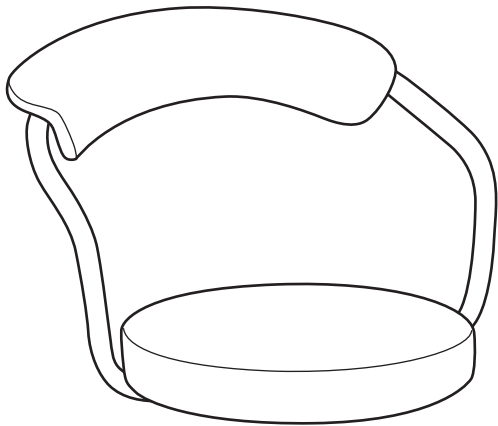
Handy Hints

- Assemble all parts and bolts loosely during assembly, only once the product is complete should you fully tighten the bolts.
- Regularly check and ensure that all bolts and fittings are tightened properly.

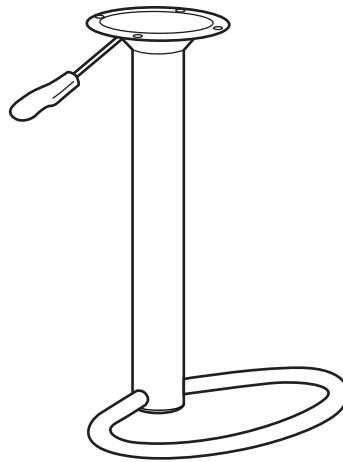
Components - Parts

If you have damaged or missing components, call the Customer Helpline: Argos = 0345 640 0800

Please check you have all the parts listed below



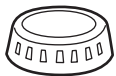
1 Seat
(51 x 44.5 x 36cm)



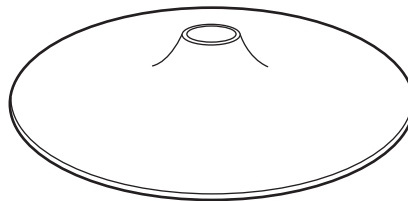
2 Upper leg
(29.5 x 21.5 x 40.5cm)



3 Gas lift
(Ø5 x 46-67cm)



4 Decor ring
(Ø7.5 x 2cm)



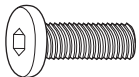
5 Base
(Ø50 x 9.3cm)

Components - Fittings

Please check you have all the fittings listed below

Note: The quantities below are the correct amount to complete the assembly. In some cases more fittings may be supplied than are required.

A



M6 x 16mm Bolt x 4

B



Washer x 4

C



Allen key x 1

Ruler - Use this ruler to help correctly identify the screws



Assembly Instructions

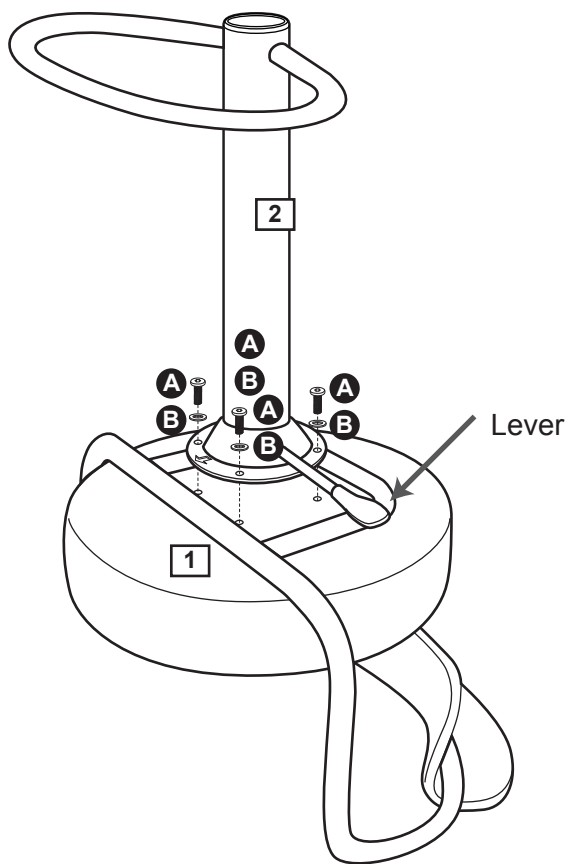
Step 1

Attaching upper leg

Place the seat **1** upside down on a raised, flat and protected surface.

Position the upper leg **2** and make sure that the lever is at your right hand side as shown in the diagram.

Secure using bolts **A** and tighten bolts using allen key **B**.



Step 2

Attaching gas lift

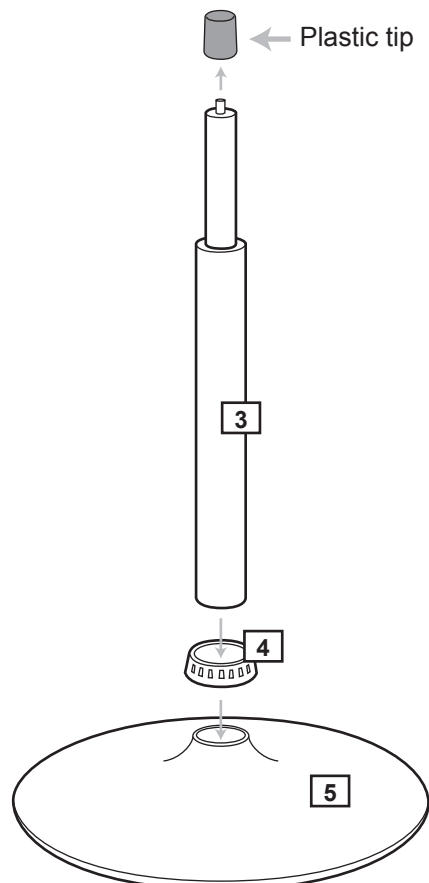
Place the base **5** on a flat protected surface.

Position the decor ring **4** on the base and insert the gas lift **3** into the decor ring and hole of the base.



Important:

Remove plastic tip cover on gas lift before assembling.

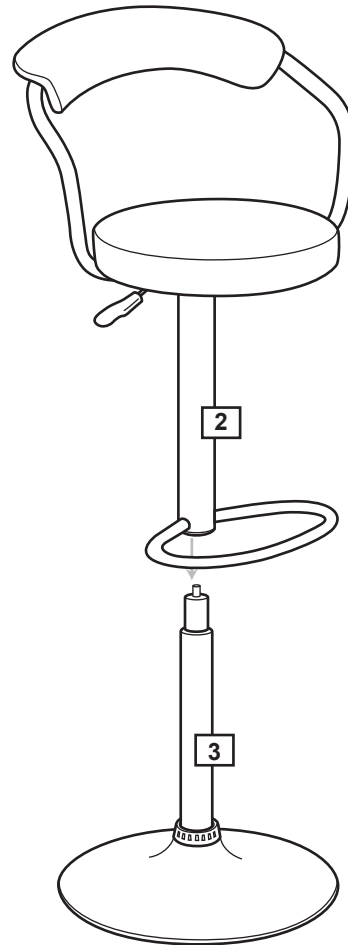


Assembly Instructions

Step 3

Attaching the seat

Position the seat as shown and insert the gas lift **3** into the upper leg **2**. Secure by pressing down the seat firmly.

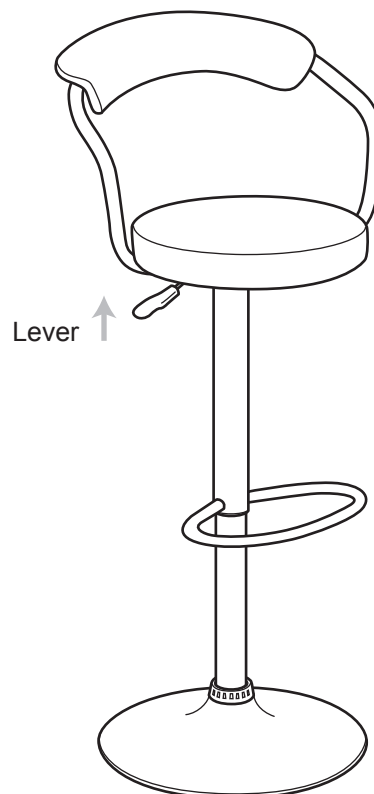


Step 4

Gaslift operation

To adjust the seat higher, lift up the lever under the seat and release at desired height.

To lower the seat, lift up the lever while seated on the stool.



Assembly is complete.

If you need help or have damaged or missing parts, call the **Customer Helpline:**
Argos = 0345 640 0800