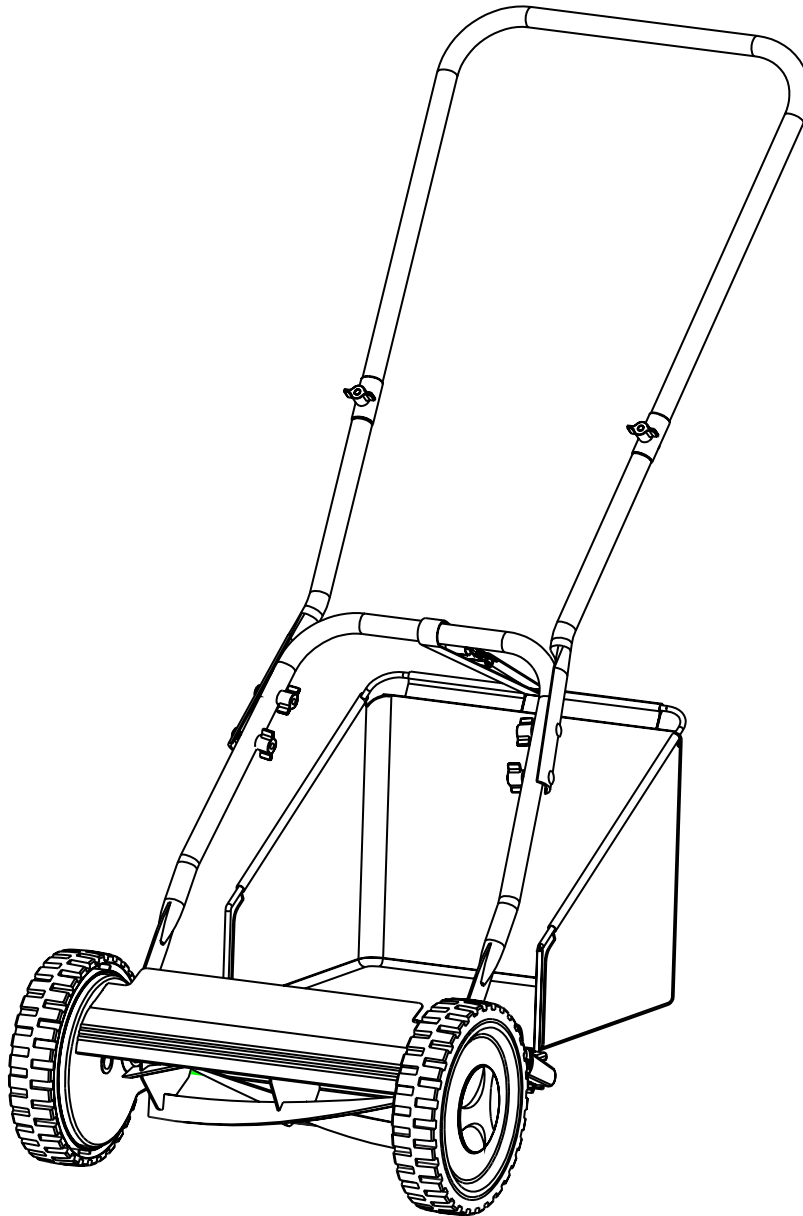


# CHALLENGE

## Hand push cylinder mower

Original Manual

GT5614



# ***challenge***<sup>®</sup>

**Important** - Please read these instructions fully before starting assembly.

These instructions contain important information that will help you get the best from your lawnmower, ensuring it is assembled correctly and safely.

If you need help or have damaged or missing parts, call the Customer Helpline on 01904 727508 prior to returning product to store.

# Contents

Introduction .....	3
Safety Information .....	3
Parts list.....	7
Assembly.....	8
Operation.....	9
Maintenance and Storage.....	10
Troubleshooting.....	14
Technical Data.....	15
Recycling and Disposal.....	15
Guarantee.....	16

# Introduction

Thank you for purchasing a CHALLENGE lawnmower

We would you like to be completely satisfied with your new product and hope you will enjoy using this tool for many years.

Your CHALLENGE hedge trimmer has been designed for trimming light foliage and is intend for DIY use only.

The device is not allowed to be used in public gardens, parks, sports centers or at roadsides as well as agriculture and forestry.

## Safety Information

**Important - Please read these instructions fully before starting assembly**

### Training

1. Never allow children or people unfamiliar with these instructions to us the mower. Local regulation can restrict the age of the operator
2. Never mow while people, especially children, or pets are nearby.
3. Keep in mind that the operator or user is responsible for accidents or hazards occurring to other people or their property.

### Preparation

1. While mowing, always wear substantial footwear and long trousers. Do not operate the mower when barefoot or wearing open sandals.
2. Thoroughly inspect the area where the equipment is to be used and remove all objects which can be thrown by the machine.
3. Before using, always visually inspect to see that the blades, blade bolts and cutter assembly are not worn or damaged. Replace worn or damaged blades and bolts in sets to preserve balance.

### Operation

1. Mow only in daylight or in good artificial light.
2. Always be sure of your footing on the slopes.
3. Walk, never run.
4. Exercise extreme caution when changing direction on slopes.
5. Do not mow excessively steep slopes.
6. Use extreme caution when reversing or pulling the mower towards you.
7. Stop the blades if the mower has to be tilted for transportation when crossing surfaces other than grass, and when transporting the mower to and from the area to be mowed.

# Safety Information

**Important - Please read these instructions fully before starting assembly**

## **Operation (continued)**

9. Never operate the mower with defective guards, or without safety devices, for example deflectors and/or grass catchers, in place.
10. Do not put hands or feet near rotating parts while the mower is being operated.

## **Maintenance**

1. Keep all nuts, bolts and screws tight to be sure the equipment is in safe working condition.
2. Check the grass catcher frequently for wear or deterioration.
3. Replace worn or damaged parts for safety.
4. Be careful during adjustment of the mower to prevent entrapment of the fingers between moving blades and fixed parts of the mower.

**Caution!** Do not touch rotating blade.

## **Work area safety**

1. Keep work area clean and well lit. Cluttered or dark areas invite accidents.
2. Keep children and bystanders away while operating the mower. Distractions can cause you to lose control.

## **Personal safety**

1. Use common sense when operating the tools. Do not use this mower while you are tired or under the influence of drugs, alcohol or medication.

A moment of inattention while operating this mower may result in serious personal injury.

2. Use personal protective equipment. Always wear eye protection and non-skid safety shoes.

3. Do not overreach. Keep proper footing and balance at all times.

This enables better control of the mower in unexpected situations.

4. Dress properly. Do not wear loose clothing or jewellery. Keep your hair, clothing and gloves away from moving parts. Loose clothes, jewellery or long hair can be caught in moving parts.



# Safety Information

Important - Please read these instructions fully before operation or maintenance

## Use and care

1. Do not force the machine. Use the correct machine for your application.

The correct machine will do the job better and safer at the rate for which it was designed.

2. Do not use the machine if any parts of the machine is damaged or broken.

Any machine that is damaged or broken is dangerous and must be repaired.

3. Store idle machine out of the reach of children and do not allow person unfamiliar with the machine or these instructions to operate the machine.

This machine is dangerous in the hands of untrained users.

4. Maintain the machine. Check for misalignment or binding of moving parts, breakage of parts and any other condition that may affect the machine's operation. If damaged, have the machine repaired before use. Many accidents are caused by poorly maintained machine.

5. Keep cylinder blades sharp and clean. Properly maintained cutting blades with sharp cutting edges are less likely to bind and are easier to control.

# Safety Information

## Warning Symbols



Before any use, refer to the corresponding paragraph in the present manual.



Warning! This symbol, before a safety comment, indicates a precaution, a warning or a danger. Ignoring this warning can lead to an accident for yourself or for others. To limit the risk of injury, fire, or electrocution always apply the recommendations indicated.



Wear ear protection and eye protection.



Always wear suitable shoes when operating lawnmower.



Always wear suitable gloves when operating lawnmower to protect your hands from flying debris and/or sharp objects.



Do not run the machine over objects. They can be throw and cause severe injury.



Keep bystanders, especially children and pets, at a distance of greater than 10m.



Do not put your hands near the rotating blades.

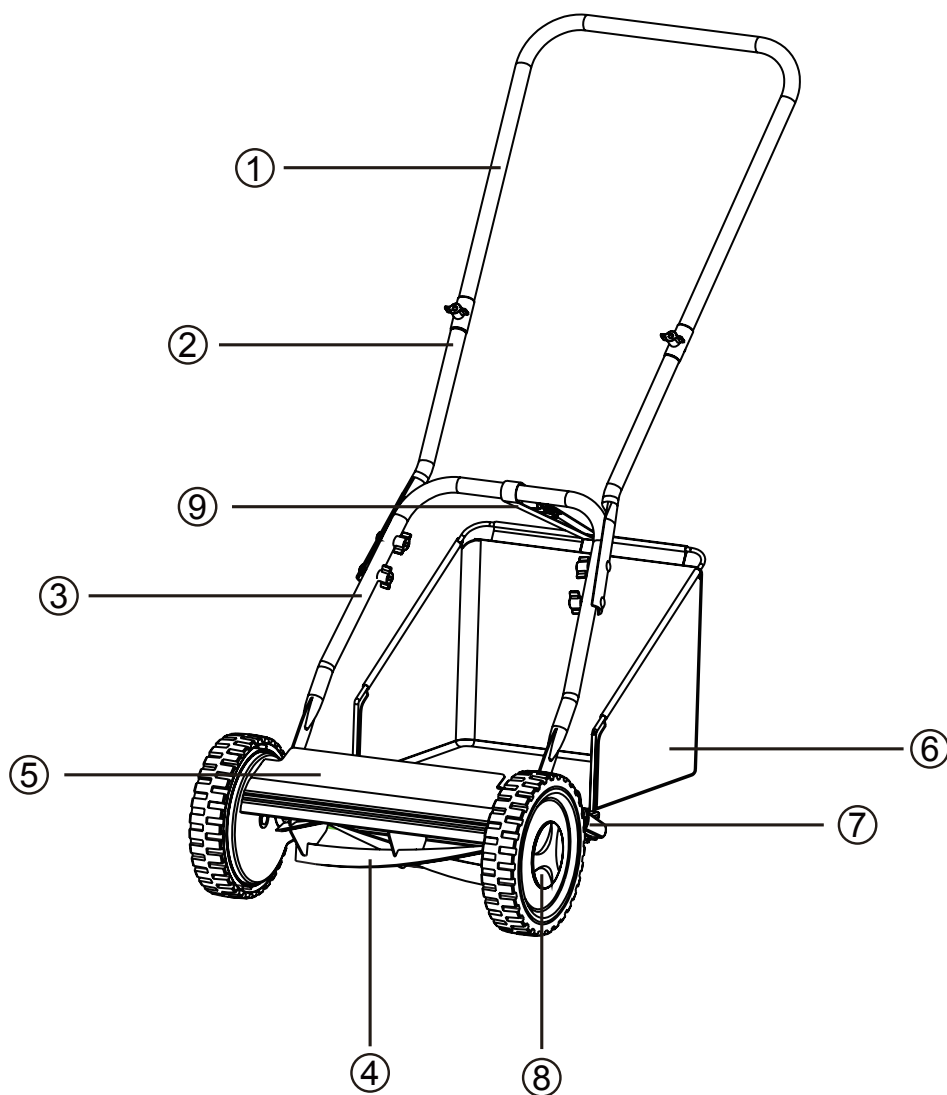


Avoid injury, do not place hands or feet near the rotating blade.

# Parts list

## Parts description

- |                                      |                        |
|--------------------------------------|------------------------|
| ① Upper handle                       | ② Extension handle     |
| ③ Lower handle                       | ④ Cylinder blade       |
| ⑤ Mower body                         | ⑥ Grass collecting bag |
| ⑦ Cutting height adjustment knob     | ⑧ Wheels               |
| ⑨ Grass collecting bag support strap |                        |



# Assembly

## Preparing to assemble the cylinder mower

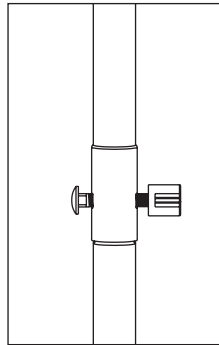


### WARNING!

- Always take care when removing the packaging to prevent damage to you or to the cylinder mower.
- Keep the carton in guarantee time. Always recycle the packaging in accordance with local recycling schemes.
- Before using the tool, read the instruction book carefully.

## Fit the upper handle to extension handle

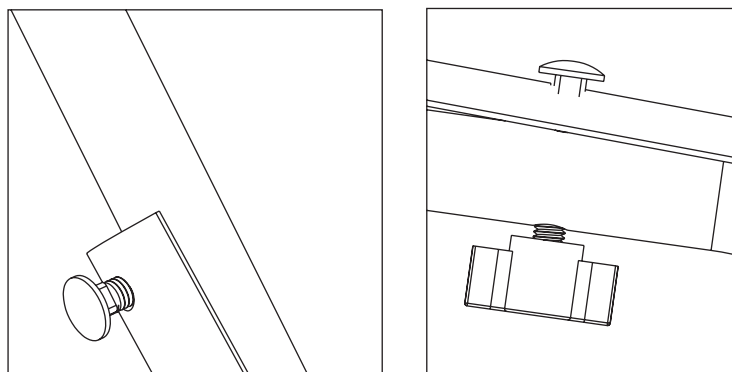
Slide the upper handle over the two handle extensions until the holes are lined up, then secure using the nuts and screws provided.



## Fit the upper handle with extension handle to lower handle

Align the two holes on one of the extension handle with those on the lower handle.

Secure them together using the nuts and screws provided. Repeat the process with the other handle extension.



Now the handle is fully assembled, and ready to be attached to the mower head.

To attach the handle to the mower head, locate the two metal lugs found forward of the cutting bar adjustment knobs. To attach the handle, insert one of the large holes in the handle arm over the lug, then repeat the same process with the other side. It may be required to use some force to squeeze the two arms together to allow room for locating the second arm over the remaining metal lug.



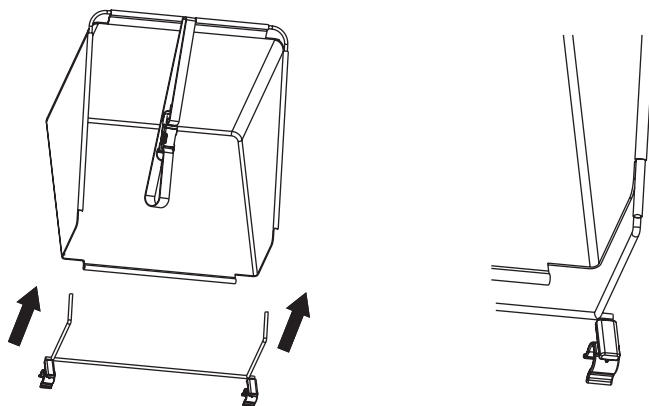
# Assembly

## Assemble the grass collection bag

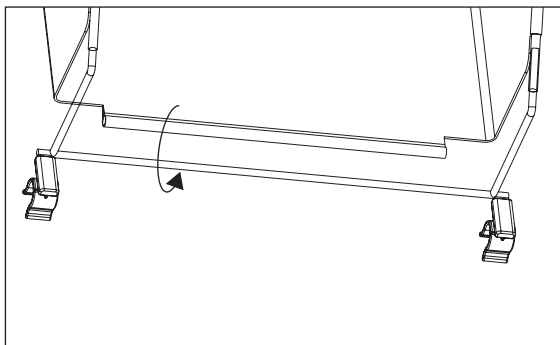


### Warning!

The grass collection bag need to be assembled well before use. .  
Insert the metal frames into the plastic holes.

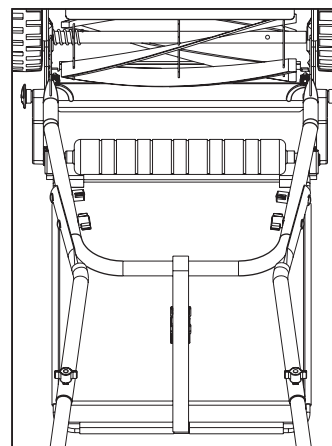
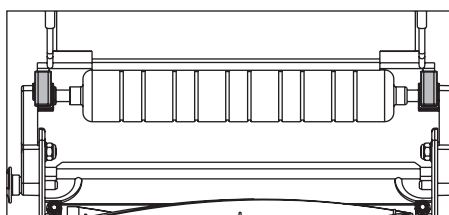


Wrap the metal frames by the plastic hems.



## Fit the grass collection bag

Attach the box to the lawn mower body by sliding the holes in them front of the box over the attachment hooks in front of the cutting height roller, also fit the grass box support strap such that the rear of the box is clear of the ground in normal use.



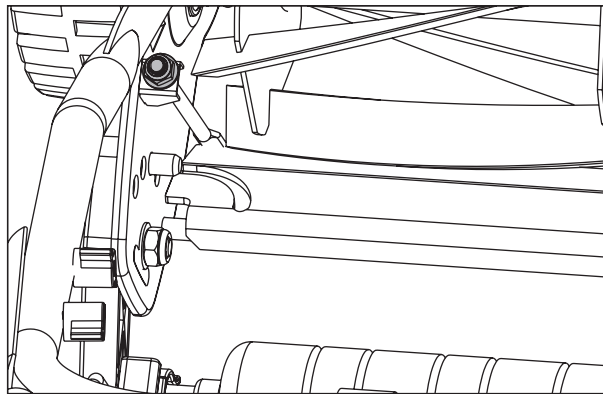
# Assembly

## Prepare to use cylinder mower

**Caution!** This operation will have to be done whilst carefully turning the cylinder blade. We strongly recommend that thick gardening gloves are worn. The fixed blade must be set correctly in order for the lawnmower to work efficiently.

## Fix blade setting

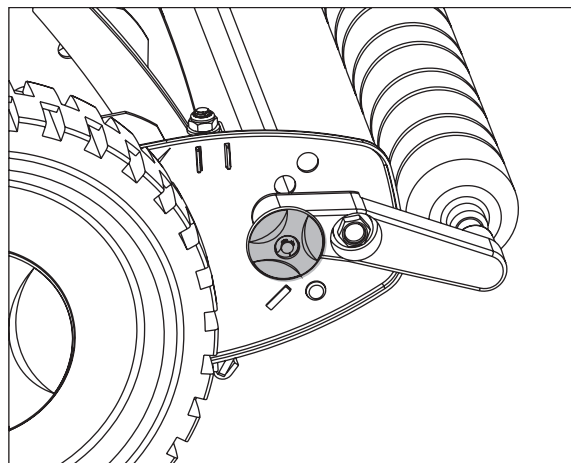
Carefully tighten the two adjusting knobs by turning them slowly in the clockwise direction. When the cylinder blade just makes contact with the fixed blade turn the rotating knobs slightly in an anticlockwise direction until the rotating blade turns without touching the fixed blade.



## Adjust the cutting height

Depending on the length of grass you are cutting you may want to adjust the cutting height of the lawnmower. This can be done by raising or lowering the cutting height roller.

To adjust the cutting height, pull the cutting height adjustment knobs on both sides away from the mower body, and then move them forward or backward to adjust the cutting height. Make sure knobs are in the same height at both sides.



# Operation

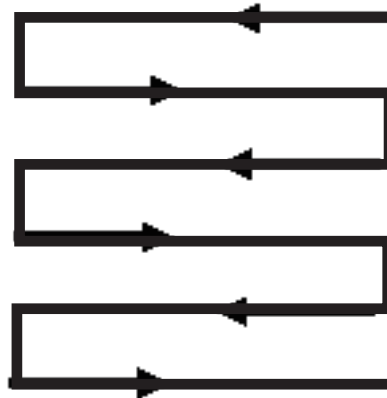
## Operating the hand push mower



### WARNING!

- Be sure lawn is clear of stones, sticks, wire or other objects which could damage mower or user. The operation of mower can result in foreign objects being thrown into the eyes, which can damage your eyes severely. Always wear safety glasses while operating the mower.

1. Do not cut wet grass because it tends to stick to the underbody of the product, preventing the proper discharge of grass clippings, and it could also cause you to slip and fall.
2. Never cut off more than one-third of the total length of the grass for a healthy lawn. In the autumn, lawns should only be cut as long as there is growth.
3. Slowly push the product forward.
4. Mow in slight overlapping rows. The most effective pattern for mowing lawns is straight lines along one of the sides. This will keep the rows even and ensures that all the lawn is cut without missing any spots.



5. Circle around flower beds. When reaching a flower bed in the middle of the lawn, cut a row or two around the circumference of the bed.
6. Pay special attention when changing direction.

# Maintenance and Storage

## Maintenance and Repair



### IMPORTANT!

- Cylinder mowers have a difficult time with tall weeds such as dandelions which most times will cause the weeds to bend and not cut – cut often to prevent this.

Cylinder mowers are relatively low maintenance. For consistent cutting follow the below instructions:

## Clean

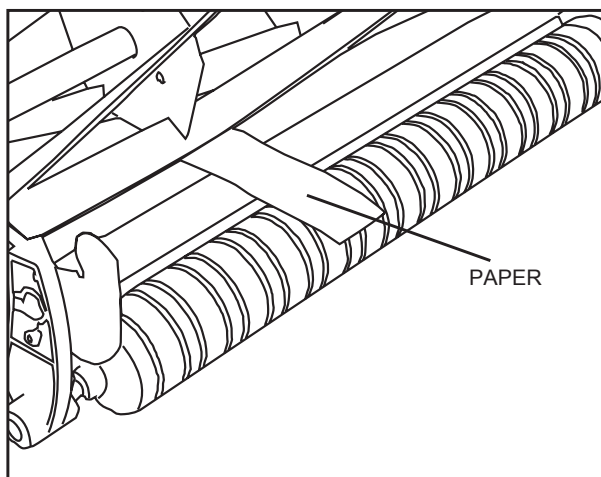
- Always keep the cutting bar properly adjusted. Refer to the instruction manual for further directions.
- Regularly clean and lubricate the cutting edges with light spray oil.
- Keep area to be mowed free from debris to avoid damage of the cutting blades.
- For best results, regularly apply lubricant to mower's cutting surfaces, cutting reel axle shaft and wheels.
- Turn the Cylinder blades until the front edge of the cutter bar blade is polished.

## Blade clearance adjustment



### WARNING!

- Mower blade are sharp and can cut. Wear gloves and use extra caution when servicing them. Any wheel rotation can cause the blade reel to rotate.
- Do not over-tighten adjustment screw as this could damage cutter bar. Both screws must be tight on final adjustment.



# Maintenance and Storage

## Blade clearance adjustment

The blade reel is adjusted for proper clearance from the cutting bar at the factory. However, after extended periods of mowing or as part of annual maintenance, it is recommended that the blade clearance be readjusted .

- If blade clearance is too wide, the cutting pattern will be rough and uneven.
- If blade clearance is too narrow, the machine will be noisy and difficult to push while operating. To adjust blade clearance, proceed as follows:
  1. Turn mower upside down.
  2. Insert a piece of paper(thickness around 0.12mm) between cutter bar and reel blades, and slowly turn wheel by hand.
  3. All blades should slice the paper evenly, along the entire length of the cutter bar while the reel turns smoothly.
  4. If mower has an intermittent cut, adjustment should be made to the appropriate side of blades to attain proper cutting action. We've taking sharpening the cutting blade out due to health and safety issues.

## Storage and transportation



### CAUTION!

- Do not place hands in the mower near blades. If grass cuttings are compacted in the blade area, remove using a wood or plastic cleaning tool appropriate for the cleaning of the blades.

1. Clean the exterior of the machine thoroughly using a soft brush and cloth before storing. Do not use water, solvents or polishes.
2. Turn the mower on its side to clean the blade area.
3. Store the mower in a dry place. Do not place other objects on top of the mower during storage.

# Troubleshooting

## Troubleshooting



### WARNING!

- Only perform the steps described within these instructions! All further inspection, maintenance and repair work must be performed by an authorised service centre or a similarly qualified specialist if you cannot solve the problem yourself!

Suspected malfunctions, disturbances or damages are often due to causes that the user can fix themselves. Therefore check the product using this section. In most cases the problem can be solved quickly.

Problem	Possible Cause	Solution
Unsatisfying cutting result	Blade clearance is too wide	Adjust the blade clearance ,refer to maintenance section
Machine is too noisy and difficult to operate	Blade clearance is too narrow	Adjust the blade clearance ,refer to maintenance section

# Technical data

## Technical Data Table

Model No.	GT5614
Cutting width	300mm
Variable cutting heights	18-38mm
Grass collection box Volume	23litres
Weight	6.3kg

# Recycling and disposal

## Recycling and disposal

1. Recycle unwanted materials instead of disposing of them as waste. All tools, hoses and packaging should be sorted, taken to the local recycling centre and disposed of in an environmentally safe way.
2. Recycle rather than dispose of unwanted material in landfill whenever possible. The machine must be delivered in rigid packaging to avoid damage during transportation. The packaging and the machine itself are manufactured from recyclable materials and should be disposed of accordingly.
3. Do not throw your clippings into a rubbish bin where it will be disposed of in landfill .You can dispose of clippings on your compost heap, alternating then with other garden material. The more thoroughly you chop the clippings beforehand, the more rapidly they will degrade. Alternatively, many communities provide a public collection point where you can dispose of your garden waste in an environmentally friendly manner.
4. Only dispose of electrical/electronic/battery items in separate collection schemes, which cater for the recovery and recycling of materials contained within. Your cooperation is vital to ensure the success of these schemes and for the protection of the environment.
5. Recycle packaging where facilities exist.

# Guarantee

Dear Customer,

In the unlikely event that your device develops a fault, please contact our Customer service department on the telephone number shown below.

1. These guarantee terms cover additional guarantee rights and do not affect your statutory warranty rights.

Claims must be accompanied by Proof of Purchase. This must be in the form of a Sales receipt or Bank statement and must show that the product has been purchased within 1 year prior to the claim, from the retailer that it was originally sold to.

2. Our guarantee covers problems caused by material or manufacturing defects, and will result in the repair of these defects or replacement of the device with a like for like or similar article. Please note that our devices have not been designed for use in commercial, trade or industrial applications. Consequently, the guarantee is invalidated if the equipment is used in commercial, trade or industrial applications or for other equivalent activities.

3. The following are also excluded from our guarantee:

A) Faults due to accidents, customer misuse, or unauthorized repairs

B) Consumable Parts such as blade

C) Failure due to lack of routine maintenance

D) Failure as a result of not using the equipment in accordance with the manual and safety instructions

4. The guarantee is valid for a period of 1 year starting from the purchase date of the device. Guarantee claims should be submitted before the end of the guarantee period within two weeks of the defect being noticed. No guarantee claims will be accepted after the end of the guarantee period. The original guarantee period remains applicable to the device even if repairs are carried out or parts are replaced. In such cases, the work performed or parts fitted will not result in an extension of the guarantee period, and no new guarantee will become active for the work performed or parts fitted. This also applies when an on-site Service is used.

5. Please keep your sales receipt in a safe place. If the defect is covered by our guarantee your device will either be repaired under the terms of guarantee or we will send you a replacement device. This device may be re-conditioned or Like for like replacement.