

challenge[®]

Mini Dehumidifier

Model: MD-818



SAFETY INSTRUCTIONS

1. Install the appliance on a flat and firm surface to avoid vibration and noise.
2. Never immerse the appliance in water or other liquids.
3. Never operate this appliance if the cable or connector is damaged or if there is any abnormal operation.
4. Disconnect the appliance from power supply when it is not in use, or before relocating or cleaning it.
5. Operate the appliance only at the voltage specified.
6. The appliance is for indoor use only, do not use it for other purpose.
7. Do not put heavy objects on the appliance.
8. Do not cover the unit.
9. To prevent spillage, empty the water tank before restarting the appliance.
10. Do not put the unit close to heat-generating devices or near flammable and dangerous materials. Do not tip the appliance as spilt water could damage the appliance.
11. Never insert any objects through the grilles or into the unit body as this may cause a hazard or unit failure.
12. This appliance can be used by children aged from 8 years and above and persons with reduced physical, sensory or mental capabilities or lack of experience and knowledge if they have been given supervision or instruction concerning use of the appliance in a safe way and understand the hazards involved. Children shall not play with the appliance. Cleaning and user maintenance shall not be made by children without supervision.
13. Do not open this product, there are no user serviceable parts inside. Opening the unit will expose you to hazardous voltages.
14. This appliance is only to be used with the power supply unit provided with the appliance.



Do not try to repair, dismantle or modify the appliance as this may damage the unit. Even if the supply cord is damaged, it must be replaced by the manufacturer or its service agent or a similarly qualified person in order to avoid a hazard.



PRODUCT GUARANTEE

This product is guaranteed against manufacturing defects for a period of



This product is guaranteed for twelve months from the date of original purchase. Any defect that arises due to faulty materials or workmanship will either be replaced, refunded or repaired free of charge where possible during this period by the dealer from whom you purchased the unit.

The guarantee is subject to the following provisions:

- The guarantee does not cover accidental damage, misuse, cabinet parts, knobs or consumable items.
- The product must be correctly installed and operated in accordance with the instructions contained in this manual. A replacement copy of this Instruction Manual can be obtained from www.argos-support.co.uk.
- It must be used solely for domestic purpose.
- The guarantee will be rendered invalid if the product is re-sold or has been damaged by inexpert repair.
- Specifications are subject to change without notice.
- The manufacturer disclaims any liability for the incidental or consequential damages.
- The guarantee is in addition to, and does not diminish your statutory or legal rights.

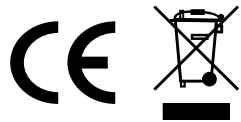
Guarantor: Argos Limited
489 - 499 Avebury Boulevard
Central Milton Keynes
MK9 2NW
www.argos-support.co.uk

SPECIFICATIONS

Model	: MD-818
Capacity	: Max 300ml per day at 30°C , 80% Relative Humidity
Cooling element	: Thermo-electric Peltier module
Power adaptor	: Input: 100-240V~50/60Hz 0.6A MAX Output: 9 V $\overline{=}$ 2.5A
Output power	: 22.5W MAX
Removable water tank	: 500ml
Recommended room size	: Up to 15 m ²
Product dimension	: 155mm(W)*220mm(H)*130mm(D)
Working environment	: Over 15°C, over 40% Relative Humidity

CAUTIONS

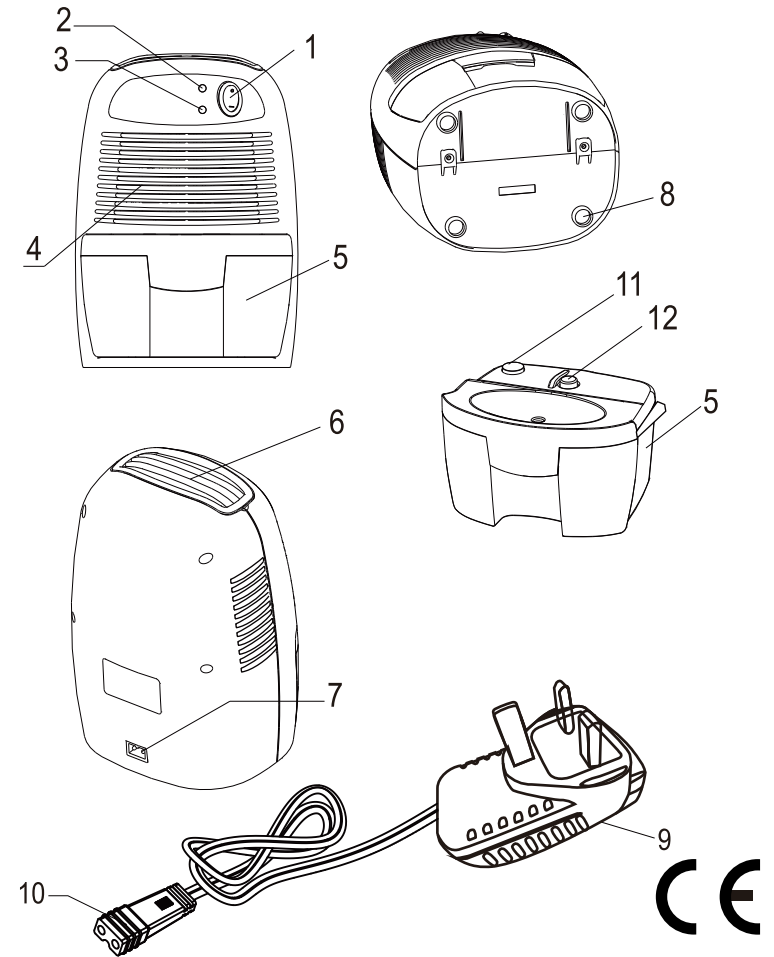
1. After use, the mini dehumidifier should be switched off by pressing the "On/Off " button to "Off " position.
2. Avoid using the AC/DC power adaptor in wet or damp conditions and use it in well ventilated areas.
3. Keep the front inlet grille and the top outlet grille clear at all times and do not cover with clothing or poly bags, etc.
4. The A/C Power adaptor will get warm during use. This is normal and does not mean there is a fault.
5. Always keep the unit upright to avoid water leakage.



Waste electrical products should not be disposed of with household waste. Please recycle where facilities exist. Check with your local authority for recycling advice.

6. Any safety symbols used on adaptor and main units ratings labels including a description of their meanings as required by EN60335-1.

KNOW YOUR APPLIANCE



- | | | |
|-----------------------------|-------------------------|--------------------------------------|
| 1. On/Off button | 2. "On" Green LED | 3. "Full" Yellow LED |
| 4. Air inlet | 5. Removable water tank | 6. Air outlet |
| 7. DC Power socket. | 8. Rubber feet | 9. AC/DC switching mode power supply |
| 10. DC power jack | 11. Water drain bung | |
| 12. Water displacement hole | | |

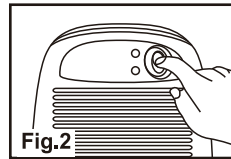
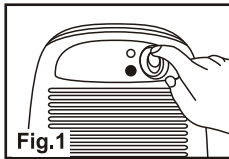
FEATURES

The mini dehumidifier uses Peltier technology (no compressor) which makes it light and quiet. It is perfect for small rooms. Poor ventilation can cause musty odours and fungus in wardrobes, larders, cabinets or storage rooms, etc. The mini dehumidifier eliminates this problem by keeping them free of unwanted moisture.

CONNECTION

NOTE: IF THE UNIT IS OPERATED BELOW THE MINIMUM WORKING ENVIRONMENT TEMPERATURE OR HUMIDITY IT WILL NOT OPERATE CORRECTLY.

1. After removing the packaging materials, there should be 3 items:
 - a. Mini Dehumidifier
 - b. AC/DC Power Adaptor
 - c. Instruction
2. Plug the DC power jack of AC/DC power adaptor to the DC power socket, then connect the AC plug of the AC/DC power adaptor to the appropriate main socket.
3. Place the mini dehumidifier on a flat and firm surface.
4. Press the "On/Off" button to "On" position, the mini dehumidifier will begin to operate. The green LED will illuminate. Listen and feel for the air blowing from the dry air outlet.
5. To switch off the unit, press the "On/Off" button to "Off" position, the mini dehumidifier will turn off.

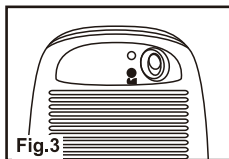


Note

- 1) Do not use the dehumidifier when the temperature is over 35°C or below 15°C
- 2) Never operate the dehumidifier without the filter

REMOVABLE WATER TANK

When the water tank is full, the unit will automatically switch off and the yellow LED will illuminate.



Switch off the mini dehumidifier by pressing the "On/Off" button to the "Off" position. Then remove the water tank from the unit and discard the collected water down a drain, etc. Refit the water tank and to continue dehumidifying, press the "On/Off" button to the "On" position again.

CLEANING

Always unplug the unit from the power supply before commencing any cleaning in order to avoid the risk of electric shocks.

Housing

- Use a soft, damp cloth to wipe the cabinet clean. Never use strong chemicals, oil-based products, detergents, chemically treated cloths or other cleaning solution. These could damage the cabinet.

Filter

- It is recommended to clean the air filter once every two weeks.
- Extract the filter cover from the top of unit.
- Use a vacuum cleaner or tap the filter lightly to remove the dirt from the filter.
- Dry thoroughly before replacing.
- Do not expose the filter to sunlight.

STORAGE

If not using the unit for an extended period of time, please:

- Turn the unit off and unplug it from the mains.
- Completely empty the water tank and wipe it clean.
- Cover the unit and store away from direct sunlight.

TROUBLE SHOOTING

Never try to repair or dismantle the dehumidifier yourself. Incompetent repairs result in loss of warranty and can endanger the user and the property.

PROBLEM	CAUSE	SOLUTION
Dehumidifier does not operate	No Power to appliance	1. Connect plug to power socket. 2. Check the lead is inserted fully into the back of the machine
	Power switch not turned on	Switch on (both on the machine and on the wall outlet socket)
	Tank is not properly inserted in order to press the internal switches	Pull tank out and manually test internal switches to see if unit powers up. Carefully push tank back in
	Water tank is full	Drain the water tank
Dehumidifier collects little water	Air inlet vent is blocked	Remove obstacles
	Doors and windows are open	Seal room from external areas
	Ambient temperature or relative humidity too low for unit to operate correctly	Peltier type dehumidifiers work best within a specific temperature and humidity range. Unusually extreme weather will affect the level of performance.
Water leaks down the front of the machine	The machine is on an uneven surface and leaning forward causing water to run off the top of the tank	Tilt the machine back to a level position by raising the two front feet onto a piece of card or coin

345单818说明书尺寸142*210mm