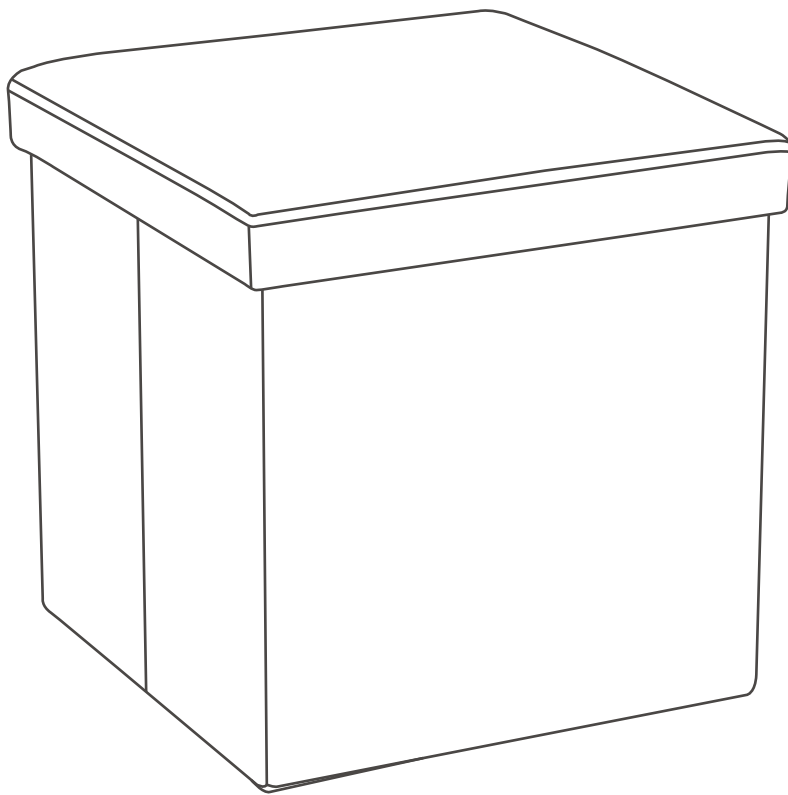


# Small Velvet Ottoman



## Spare Parts

 [www.argos-support.co.uk](http://www.argos-support.co.uk)

 [help@ClickSpares.co.uk](mailto:help@ClickSpares.co.uk)

 0370 112 1928

## Customer support

 0345 640 2020

# Safety and Care Advice

## Product Details

Small Pink Velvet Ottoman	452/9848
Small Green Velvet Ottoman	744/3835
Small Grey Velvet Ottoman	367/8257

## IMPORTANT, RETAIN FOR FUTURE REFERENCE: READ CAREFULLY.

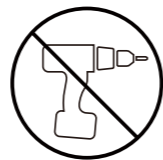
- Keep children and animals away from the work area, small parts could choke if swallowed.

- Make sure you have enough space to layout the parts before starting.

- This product has been constructed to be used in the domestic environment only and not for commercial purposes.

- Assemble the item as close to its final position (in the same room) as possible.

- Assemble on a soft level surface to avoid damaging the unit or your floor.



- We do not recommend the use of power drill/drivers for inserting screws as this could damage the unit. Only use hand screwdrivers.

- Parts of the assembly will be easier with 2 people.

- Dispose of all packaging carefully and responsibly.

## Care and maintenance

- Only clean using a damp cloth and mild detergent. Do not use abrasive cleaners.

- Use a dry cloth to clean the product, furniture polish is not recommended.

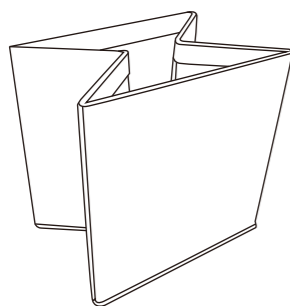
- From time to time check that there are no loose screws, nuts or bolts. If there are please re-tighten.

- This product should not be discarded with household waste. Take to your local authority waste disposal centre.

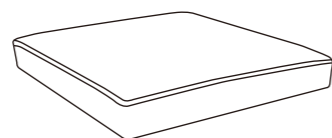
## Additional Guidance

- Maximum user weight 80kg
- This product is compliant BS 5852

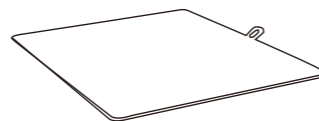
## Panels



1 Base box

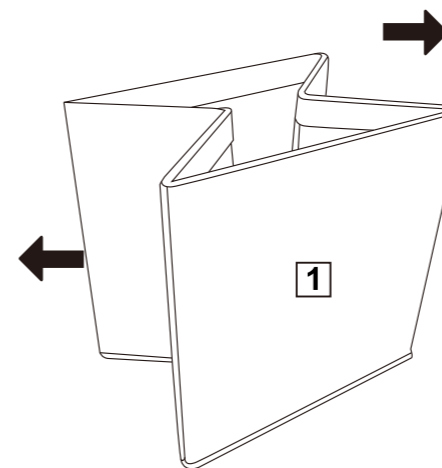


2 Lid

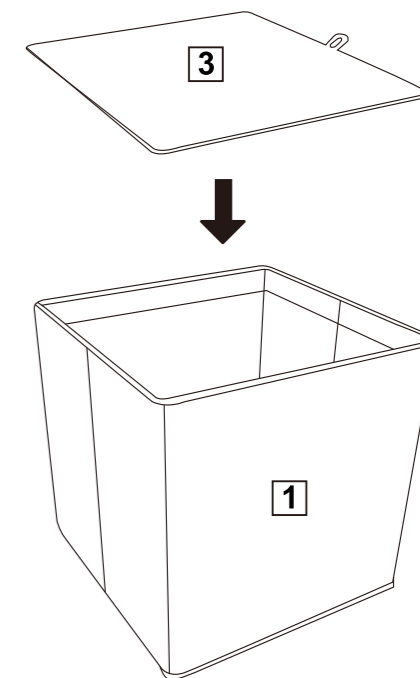


3 Bottom Pad

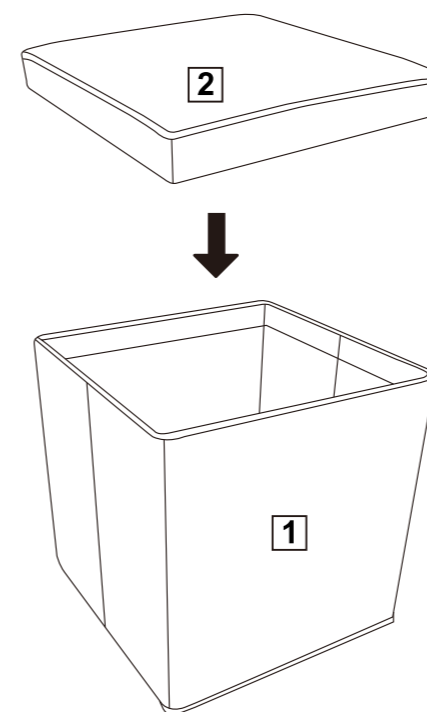
1



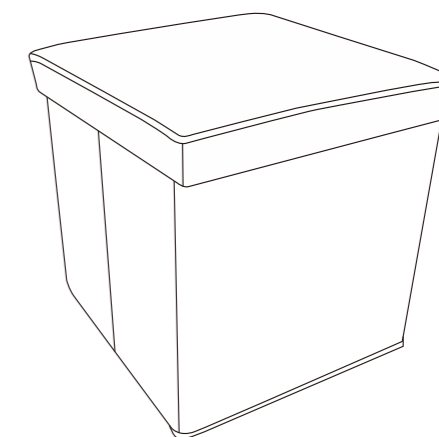
2



3



4



Assemble is complete

