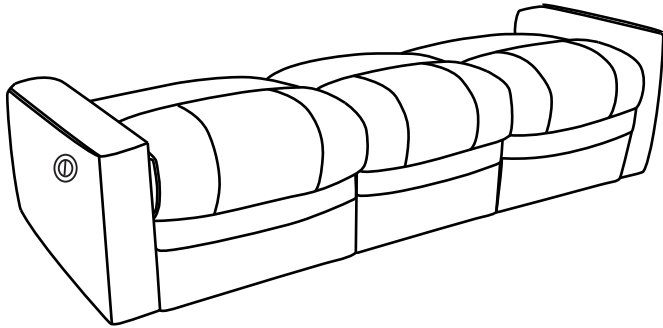
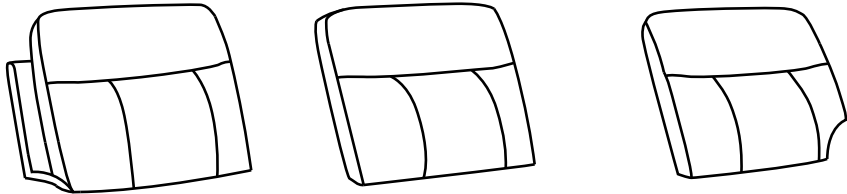


# Components

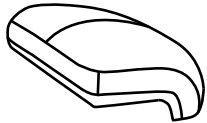
Ⓐ Seat Unit



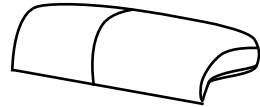
Ⓑ 1 x Left Back Cushion Ⓒ 1 x Centre Back Cushion Ⓓ 1 x Right Back Cushion



Ⓔ 1 x Left Arm Cushion

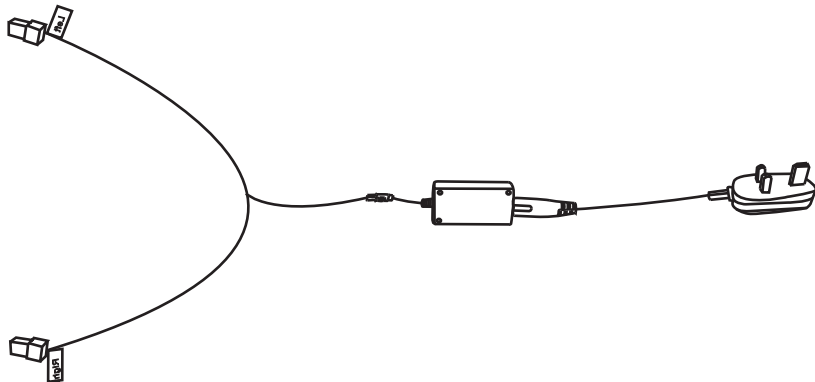


Ⓕ 1 x Right Arm Cushion



# Fittings

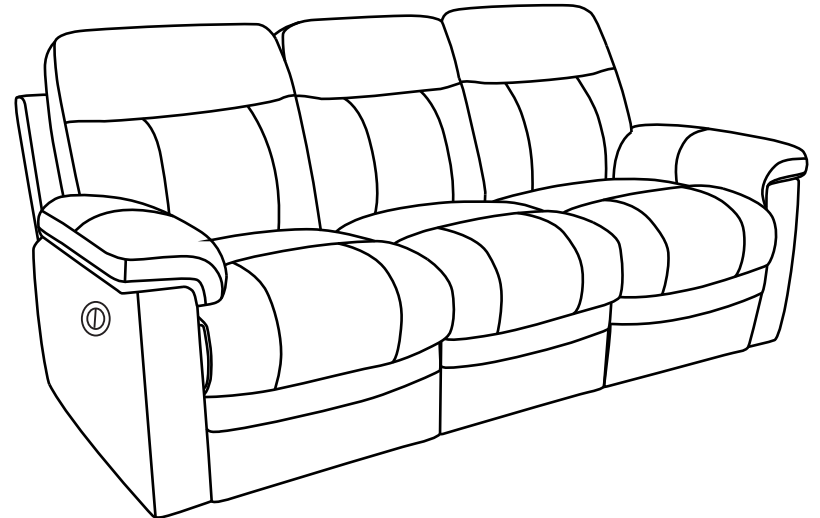
Ⓒ 1xMains Electricity Supply



# TC NEW PAOLO 3 SEAT POWERED

Simple Assembly Instructions - Please keep for future reference

5709708 5555646  
5531794 5536847



**Important-Please read these instructions fully before starting assembly**

If you need help or have damaged or missing parts, call the Customer Helpline: 0345 640 0800  
0345 601 2895

1. Read these instructions carefully and familiarise yourself with the procedure before assembling the unit.
2. Check that you have all the component parts following the list on the back cover and familiarise yourself with each part before proceeding.
3. Take all the fittings out of the plastic bag and separate them into their groups.
4. Ensure you have enough space to lay out all the parts before assembly.
5. To avoid scratching it is recommended that you assemble the unit on a soft level surface.

# Assembly Instructions

## Stage 1 – Preparing the Seat Unit

**NOTE:** It would be useful to ask someone to help you at this stage.

### Step 1 ( Fig. 1)

- Carefully tilt back the seat unit onto it's back. See fig.1.

Fig. 1

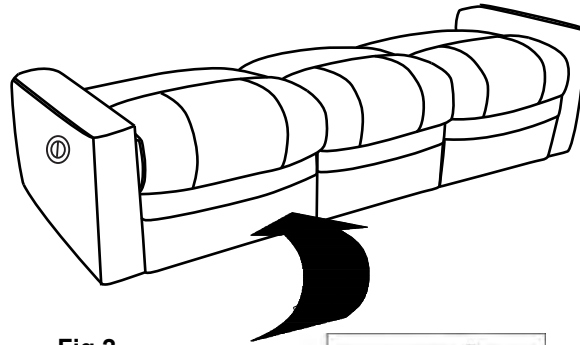
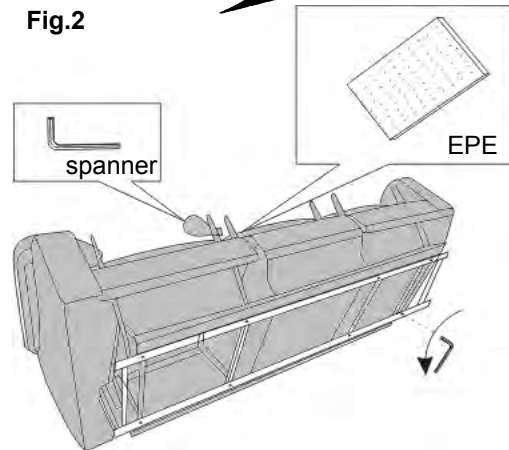


Fig.2



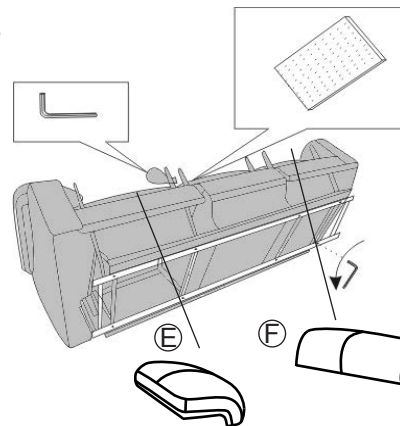
### Step 2 ( Fig. 2)

- Get the fitting bag from Bracket Rear. to remove the Wooden Frame with a spanner. (See Fig 2).

This is not required for any other use.

- Remove the EPE from the gap between two seat. See fig.2.

Fig.3



### Step 3 ( Fig. 3)

- The armrest is put behind of seat cushion. Please get armrest (E) (F) for assembly. See fig. 3.

# Assembly Instructions

## Stage 2 – Fitting the Back Cushions

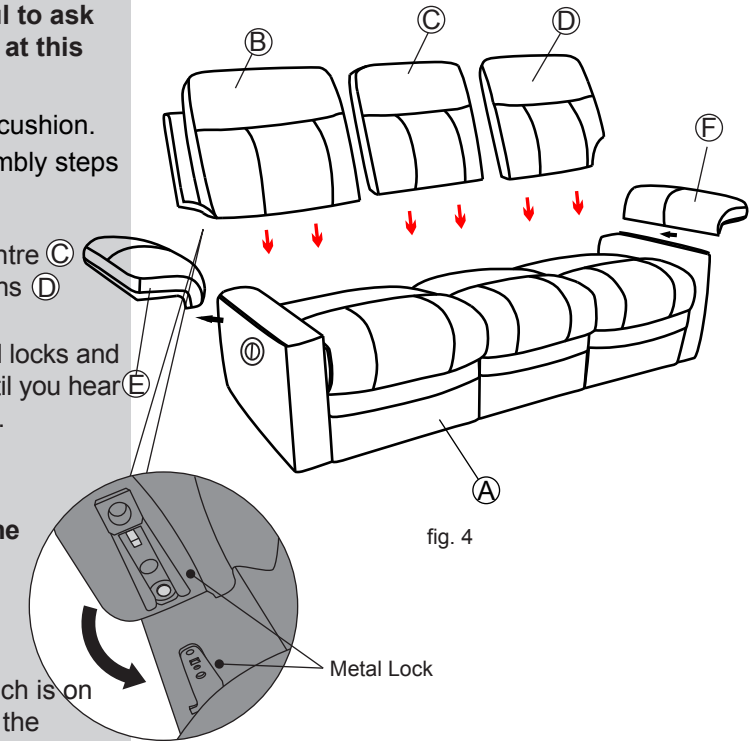
**NOTE:** It would be useful to ask someone to help you at this stage.

1. Firstly attach the arm cushion. You can find the assembly steps in the last page.
2. Attach the Left (B) , Centre (C) and Right Back Cushions (D) to the seat unit (A) . Then engage the metal locks and push them together until you hear them lock into position.

See fig.4.

**NOTE:** Carefully line up the two side metal locks. Ensure they align correctly.

Fit the velcro cover which is on the back cushions onto the velcro of the seat unit.



**NOTE:** You can ensure the Back Cushions are closely joined together by adjusting the metal frame as show in fig. 5.

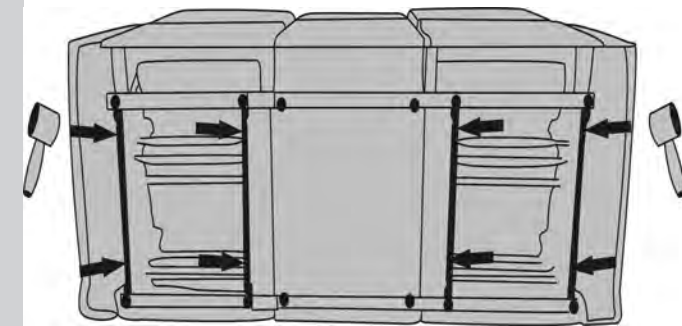



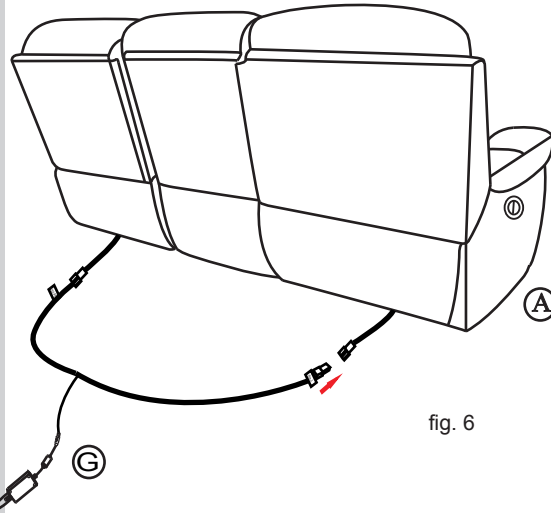
fig. 5

# Assembly Instructions

## Stage 3 – Operating the Unit

 **WARNING:** If the supply cord is damaged, it must be replaced by the manufacturer, its service agent or similarly qualified persons in order to avoid a hazard.

1. Remove and unpack the fittings which are stored under the Seat Unit (A).  
See fig. 6.

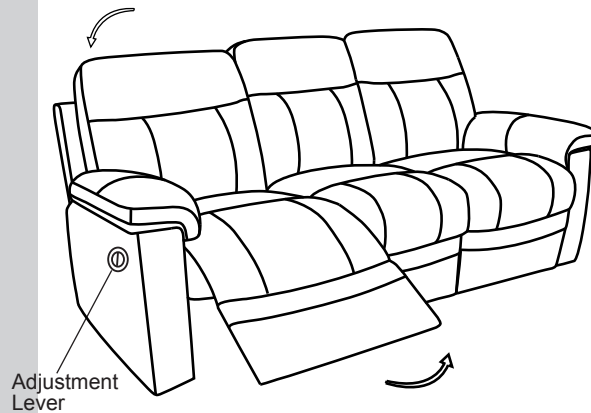


### Back and Foot Rest Adjustment

This Chair features a reclining back rest and raised foot rest. You need to be sitting in the chair to activate the features.

2. Press the "Adjustment Lever-front button". The chair will recline and the foot rest will automatically lift up.  
See fig. 7.

3. Press the "Adjustment Lever-back button". The sofa return to the normal position.  
See fig. 7.



4. Adjust the recliner to your own requirements.

# Assembly Instructions

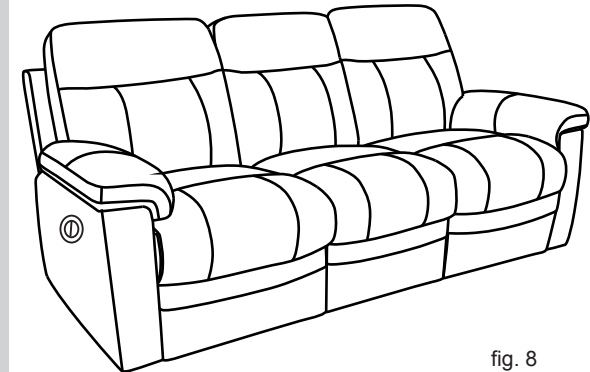
## Stage 4 – Finishing the Unit

1. Finally carefully place the unit in the desired location.  
See fig. 8.



### CAUTION:

- Beware of entrapment. Keep hands and fingers clear of the tilt mechanism when operating the controls.
- Ensure that children or pets are not playing or lying in the way when the tilt mechanism is operated.
- Prevent children from playing on the furniture or with the controls.



WASTE ELECTRICAL PRODUCTS SHOULD NOT BE DISPOSED OF WITH HOUSEHOLD WASTE. PLEASE RECYCLE WHERE FACILITIES EXIST. CHECK WITH YOUR LOCAL AUTHORITY FOR RECYCLING ADVICE.

**NOTE:** It would be useful to ask someone to help you at this Stage.

## Care and Maintenance

### Safety

To avoid any risk of suffocation to animals or children dispose of the plastic bags immediately.

### Cleaning

As with all surfaces clean with a damp cloth and mild detergent, do not use bleach or abrasive products.

### Fitting

From time to time please ensure there are no loose screws on the product. If you need help or have damaged or missing parts, call the Customer Helpline: 0345 640 0800/0345 601 2895  
489-499 Avebury Boulevard Milton Keynes MK9 2NW, Argos Limited

## Stage 5 - Arm cushion assembly steps

1. Please fix the arm cushion by zipping it onto the outside of the armrest.

See fig. 9.



fig. 9

2. Adjust the arm cushion with the right position onto the armrest .

See fig.10.



fig. 10

3. Press the seat cushion next to the inside of armrest. then stick the velcro into the inside of armrest.

See fig. 11.



fig. 11