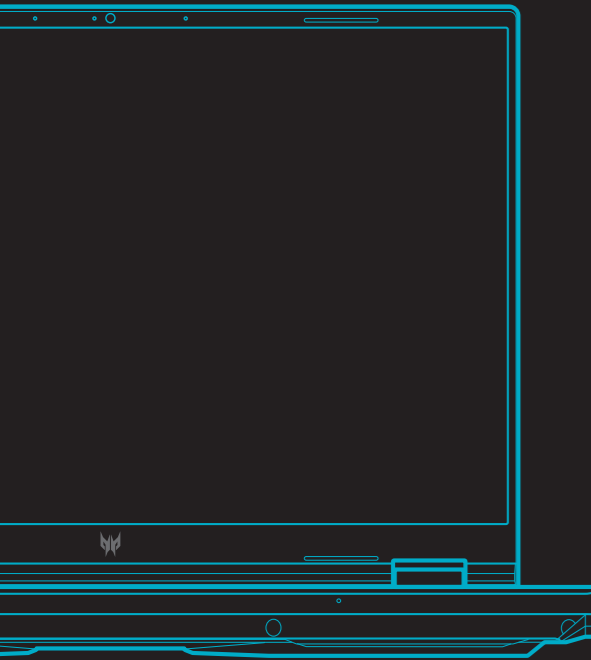




PREDATOR HELIOS NEO 18

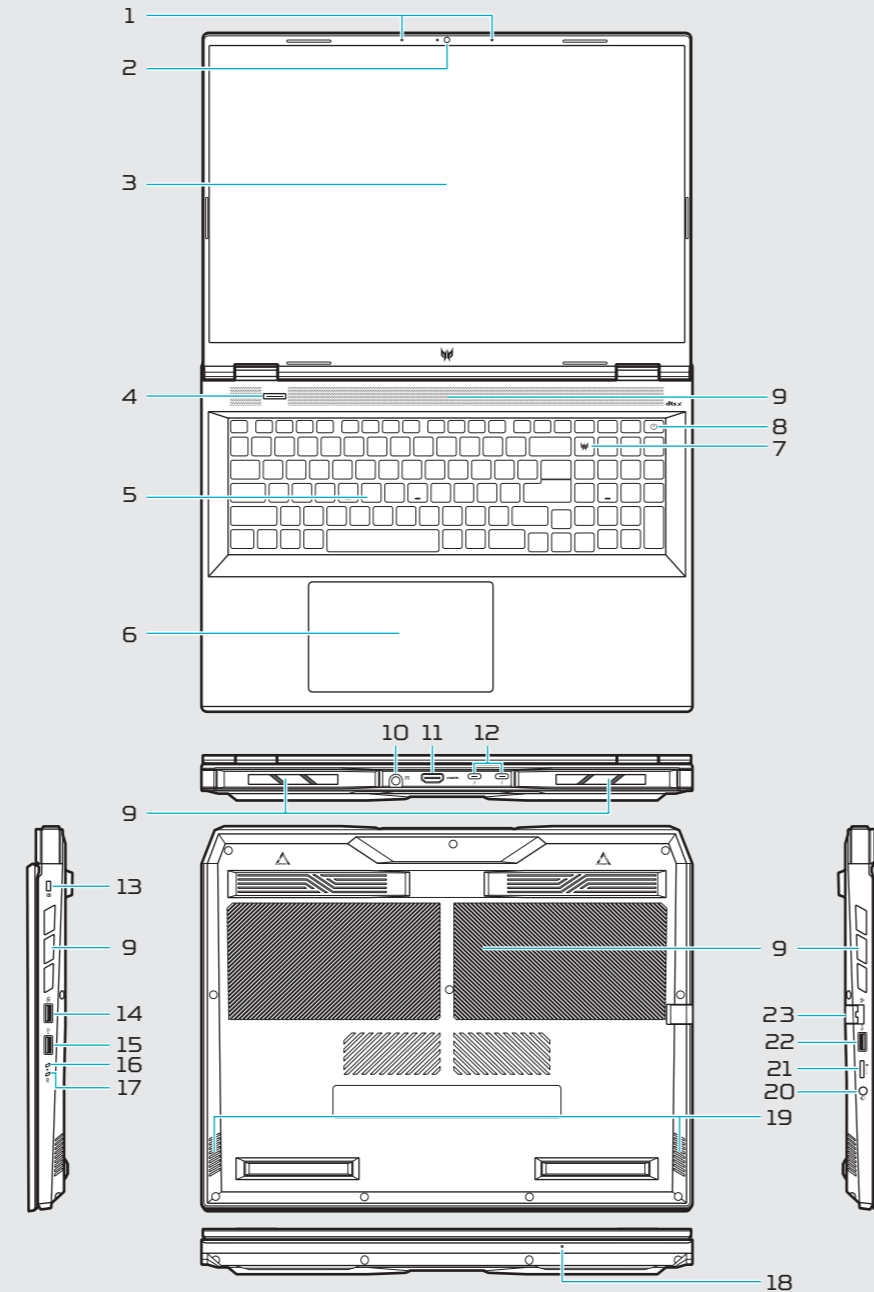
Setup Guide



Setup Guide
Setup Guide
Setup Guide
Setup Guide
Setup Guide
Setup Guide

Your Predator Notebook Tour

Your Predator Notebook Tour / Your Predator Notebook Tour
Your Predator Notebook Tour



- 1. Microphones
- 2. Webcam
- 3. Screen
- 4. Mode key
- 5. Keyboard
- 6. Touchpad
- 7. PredatorSense key
- 8. Power button
- 9. Ventilation and cooling fan
- 10. DC-in jack
- 11. HDMI 2.1 port
- 12. Thunderbolt 4

- 13. Kensington lock slot
- 14. USB 3.2 Gen 2 port with power-off charging (Up to 10 Gbps)
- 15. USB 3.2 Gen 2 port (Up to 10 Gbps)
- 16. Power indicator
- 17. Battery indicator
- 18. Microphone
- 19. Speakers
- 20. Headset / speaker jack
- 21. MicroSD card reader
- 22. USB 3.2 Gen 1 port (Up to 5 Gbps)
- 23. Ethernet (RJ45) port

- 1. Microphones
- 2. Webcam
- 3. Screen
- 4. Mode key
- 5. Keyboard
- 6. Touchpad
- 7. PredatorSense key
- 8. Power button
- 9. Ventilation and cooling fan
- 10. DC-in jack
- 11. HDMI 2.1 port
- 12. Thunderbolt 4

- 13. Kensington lock slot
- 14. USB 3.2 Gen 2 port with power-off charging (Up to 10 Gbps)
- 15. USB 3.2 Gen 2 port (Up to 10 Gbps)
- 16. Power indicator
- 17. Battery indicator
- 18. Microphone
- 19. Speakers
- 20. Headset / speaker jack
- 21. MicroSD card reader
- 22. USB 3.2 Gen 1 port (Up to 5 Gbps)
- 23. Ethernet (RJ45) port

- 1. Microphones
- 2. Webcam
- 3. Screen
- 4. Mode key
- 5. Keyboard
- 6. Touchpad
- 7. PredatorSense key
- 8. Power button
- 9. Ventilation and cooling fan
- 10. DC-in jack
- 11. HDMI 2.1 port
- 12. Thunderbolt 4

- 13. Kensington lock slot
- 14. USB 3.2 Gen 2 port with power-off charging (Up to 10 Gbps)
- 15. USB 3.2 Gen 2 port (Up to 10 Gbps)
- 16. Power indicator
- 17. Battery indicator
- 18. Microphone
- 19. Speakers
- 20. Headset / speaker jack
- 21. MicroSD card reader
- 22. USB 3.2 Gen 1 port (Up to 5 Gbps)
- 23. Ethernet (RJ45) port

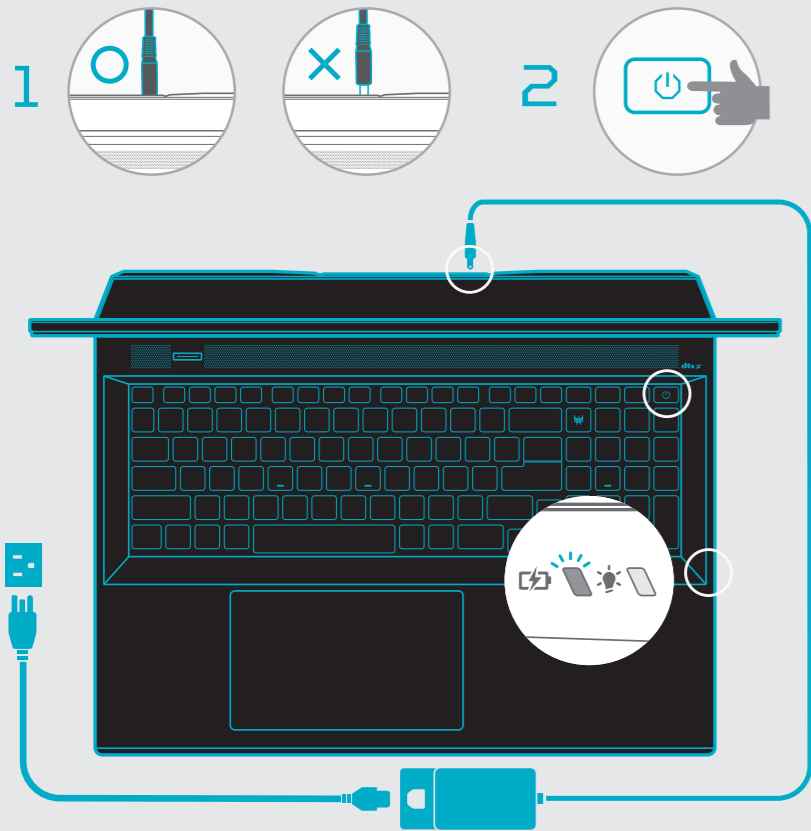
- 1. Microphones
- 2. Webcam
- 3. Screen
- 4. Mode key
- 5. Keyboard
- 6. Touchpad
- 7. PredatorSense key
- 8. Power button
- 9. Ventilation and cooling fan
- 10. DC-in jack
- 11. HDMI 2.1 port
- 12. Thunderbolt 4

- 13. Kensington lock slot
- 14. USB 3.2 Gen 2 port with power-off charging (Up to 10 Gbps)
- 15. USB 3.2 Gen 2 port (Up to 10 Gbps)
- 16. Power indicator
- 17. Battery indicator
- 18. Microphone
- 19. Speakers
- 20. Headset / speaker jack
- 21. MicroSD card reader
- 22. USB 3.2 Gen 1 port (Up to 5 Gbps)
- 23. Ethernet (RJ45) port



Getting Started

Getting Started / Getting Started / Getting Started



Important: An internet connection is required for first-time setup.

Note: Please press the AC adapter into the tunnel to the power connector. You will feel a click indicating it is connected. Then, check the light of battery indicator shows amber while charging.

Important: An internet connection is required for first-time setup.

Note: Please press the AC adapter into the tunnel to the power connector. You will feel a click indicating it is connected. Then, check the light of battery indicator shows amber while charging.

Important: An internet connection is required for first-time setup.

Note: Please press the AC adapter into the tunnel to the power connector. You will feel a click indicating it is connected. Then, check the light of battery indicator shows amber while charging.

Important: An internet connection is required for first-time setup.

Note: Please press the AC adapter into the tunnel to the power connector. You will feel a click indicating it is connected. Then, check the light of battery indicator shows amber while charging.



Safety Notice

Safety Notice/ Safety Notice / Safety Notice

WARNING! To reduce the possibility of heat-related injuries or of overheating the computer, do not place the computer directly on your lap or obstruct the computer air vents. Use the computer only on a hard, flat surface. Do not allow another hard surface, such as an adjoining optional printer, or a soft surface, such as pillows or rugs or clothing, to block airflow. Also, do not allow the AC adapter to come into contact with the skin or a soft surface, such as pillows or rugs or clothing, during operation. Wait one-half hour after switch off before handling hot parts.

WARNING! To reduce the possibility of heat-related injuries or of overheating the computer, do not place the computer directly on your lap or obstruct the computer air vents. Use the computer only on a hard, flat surface. Do not allow another hard surface, such as an adjoining optional printer, or a soft surface, such as pillows or rugs or clothing, to block airflow. Also, do not allow the AC adapter to come into contact with the skin or a soft surface, such as pillows or rugs or clothing, during operation. Wait one-half hour after switch off before handling hot parts.

WARNING! To reduce the possibility of heat-related injuries or of overheating the computer, do not place the computer directly on your lap or obstruct the computer air vents. Use the computer only on a hard, flat surface. Do not allow another hard surface, such as an adjoining optional printer, or a soft surface, such as pillows or rugs or clothing, to block airflow. Also, do not allow the AC adapter to come into contact with the skin or a soft surface, such as pillows or rugs or clothing, during operation. Wait one-half hour after switch off before handling hot parts.

WARNING! To reduce the possibility of heat-related injuries or of overheating the computer, do not place the computer directly on your lap or obstruct the computer air vents. Use the computer only on a hard, flat surface. Do not allow another hard surface, such as an adjoining optional printer, or a soft surface, such as pillows or rugs or clothing, to block airflow. Also, do not allow the AC adapter to come into contact with the skin or a soft surface, such as pillows or rugs or clothing, during operation. Wait one-half hour after switch off before handling hot parts.

Copyright Information

Copyright Information / Copyright Information / Copyright Information

This manual contains proprietary information that is protected by copyright laws. The information contained in this manual is subject to change without notice. Illustrations are for reference only. Actual product specifications may vary. Acer Group shall not be liable for technical or editorial errors or omissions contained in this manual.

This manual contains proprietary information that is protected by copyright laws. The information contained in this manual is subject to change without notice. Illustrations are for reference only. Actual product specifications may vary. Acer Group shall not be liable for technical or editorial errors or omissions contained in this manual.

This manual contains proprietary information that is protected by copyright laws. The information contained in this manual is subject to change without notice. Illustrations are for reference only. Actual product specifications may vary. Acer Group shall not be liable for technical or editorial errors or omissions contained in this manual.

This manual contains proprietary information that is protected by copyright laws. The information contained in this manual is subject to change without notice. Illustrations are for reference only. Actual product specifications may vary. Acer Group shall not be liable for technical or editorial errors or omissions contained in this manual.

Environment

Environment / Environment/ Environment

Temperature: - Operating: 5 °C to 35 °C
- Storage: -20 °C to 60 °C

Humidity - Operating: 20% to 80%
(non-condensing): - Storage: 20% to 60%

Temperature: - Operating: 5 °C to 35 °C
- Storage: -20 °C to 60 °C

Humidity - Operating: 20% to 80%
(non-condensing): - Storage: 20% to 60%

Temperature: - Operating: 5 °C to 35 °C
- Storage: -20 °C to 60 °C

Humidity - Operating: 20% to 80%
(non-condensing): - Storage: 20% to 60%

Temperature: - Operating: 5 °C to 35 °C
- Storage: -20 °C to 60 °C

Humidity - Operating: 20% to 80%
(non-condensing): - Storage: 20% to 60%

Find manuals and other documents

Find manuals and other documents / Find manuals and other documents
Find manuals and other documents

Find manuals and other documents for your Acer product on the official Acer support website by going to <http://go.acer.com/support>
For EPEAT registered-products, please visit <https://www.epeat.net/> and Acer country website for detailed information.

Find manuals and other documents for your Acer product on the official Acer support website by going to <http://go.acer.com/support>
For EPEAT registered-products, please visit <https://www.epeat.net/> and Acer country website for detailed information.

Find manuals and other documents for your Acer product on the official Acer support website by going to <http://go.acer.com/support>
For EPEAT registered-products, please visit <https://www.epeat.net/> and Acer country website for detailed information.

Find manuals and other documents for your Acer product on the official Acer support website by going to <http://go.acer.com/support>
For EPEAT registered-products, please visit <https://www.epeat.net/> and Acer country website for detailed information.

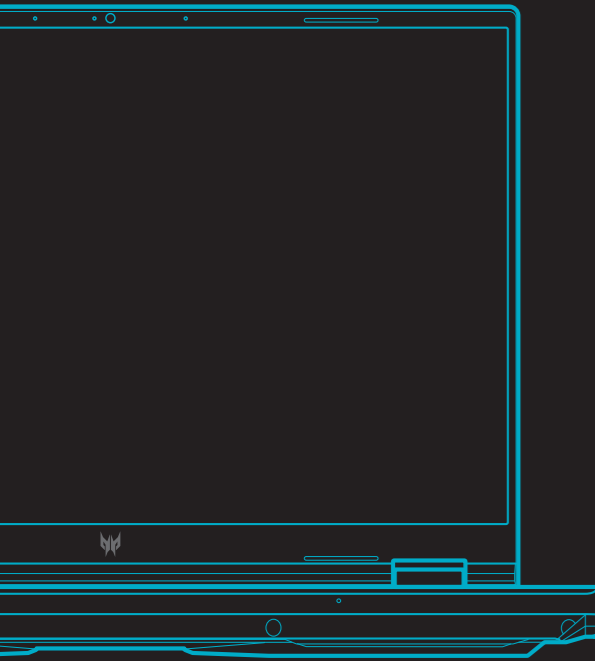


PHN18-71



PREDATOR HELIOS NEO 18

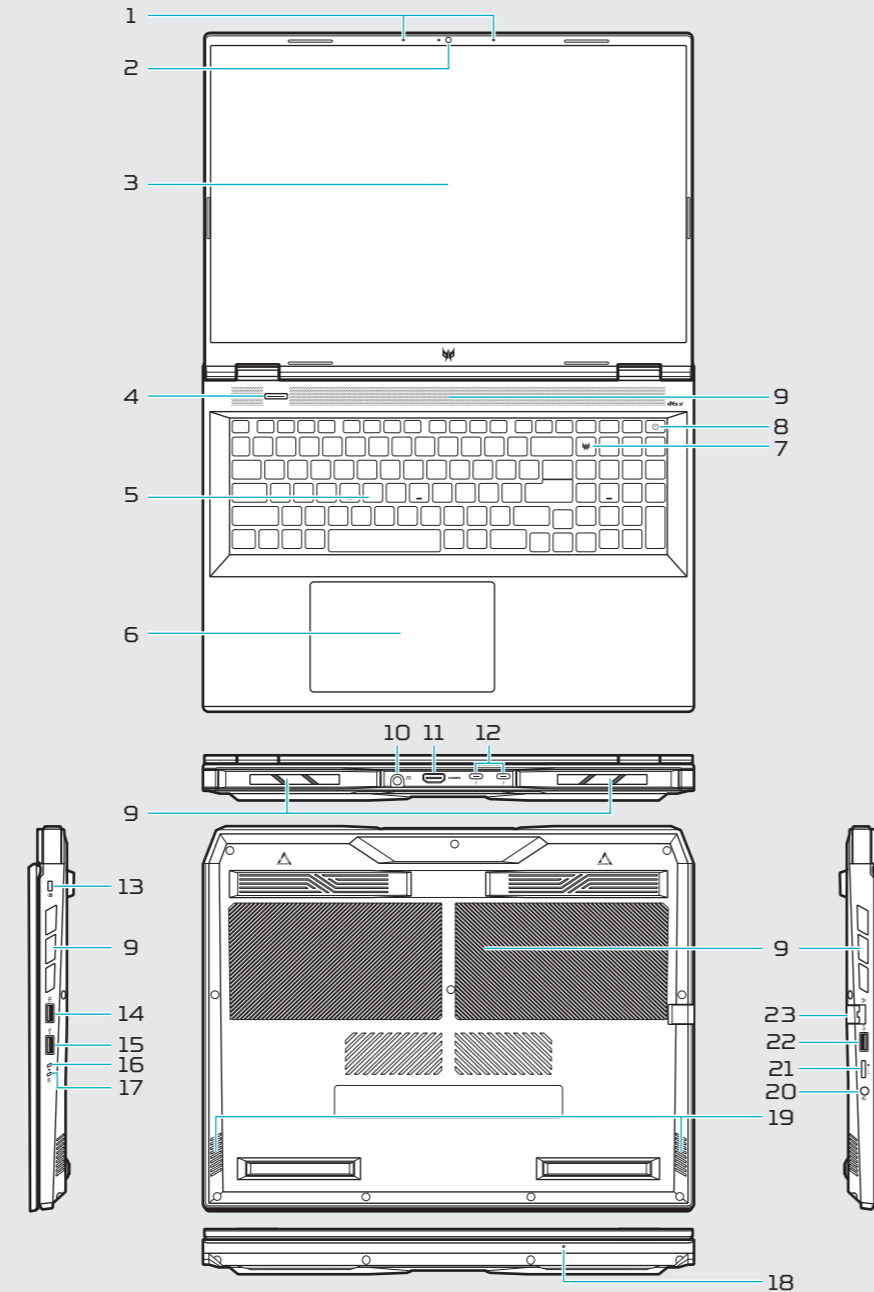
Setup Guide



Setup Guide
Setup Guide
Setup Guide
Setup Guide
Setup Guide
Setup Guide

Your Predator Notebook Tour

Your Predator Notebook Tour / Your Predator Notebook Tour
Your Predator Notebook Tour / Your Predator Notebook Tour



- 1. Microphones
- 2. Webcam
- 3. Screen
- 4. Mode key
- 5. Keyboard
- 6. Touchpad
- 7. PredatorSense key
- 8. Power button
- 9. Ventilation and cooling fan
- 10. DC-in jack
- 11. HDMI 2.1 port
- 12. Thunderbolt 4

- 13. Kensington lock slot
- 14. USB 3.2 Gen 2 port with power-off charging (Up to 10 Gbps)
- 15. USB 3.2 Gen 2 port (Up to 10 Gbps)
- 16. Power indicator
- 17. Battery indicator
- 18. Microphone
- 19. Speakers
- 20. Headset / speaker jack
- 21. MicroSD card reader
- 22. USB 3.2 Gen 1 port (Up to 5 Gbps)
- 23. Ethernet (RJ45) port

- 1. Microphones
- 2. Webcam
- 3. Screen
- 4. Mode key
- 5. Keyboard
- 6. Touchpad
- 7. PredatorSense key
- 8. Power button
- 9. Ventilation and cooling fan
- 10. DC-in jack
- 11. HDMI 2.1 port
- 12. Thunderbolt 4

- 13. Kensington lock slot
- 14. USB 3.2 Gen 2 port with power-off charging (Up to 10 Gbps)
- 15. USB 3.2 Gen 2 port (Up to 10 Gbps)
- 16. Power indicator
- 17. Battery indicator
- 18. Microphone
- 19. Speakers
- 20. Headset / speaker jack
- 21. MicroSD card reader
- 22. USB 3.2 Gen 1 port (Up to 5 Gbps)
- 23. Ethernet (RJ45) port

- 1. Microphones
- 2. Webcam
- 3. Screen
- 4. Mode key
- 5. Keyboard
- 6. Touchpad
- 7. PredatorSense key
- 8. Power button
- 9. Ventilation and cooling fan
- 10. DC-in jack
- 11. HDMI 2.1 port
- 12. Thunderbolt 4

- 13. Kensington lock slot
- 14. USB 3.2 Gen 2 port with power-off charging (Up to 10 Gbps)
- 15. USB 3.2 Gen 2 port (Up to 10 Gbps)
- 16. Power indicator
- 17. Battery indicator
- 18. Microphone
- 19. Speakers
- 20. Headset / speaker jack
- 21. MicroSD card reader
- 22. USB 3.2 Gen 1 port (Up to 5 Gbps)
- 23. Ethernet (RJ45) port

- 1. Microphones
- 2. Webcam
- 3. Screen
- 4. Mode key
- 5. Keyboard
- 6. Touchpad
- 7. PredatorSense key
- 8. Power button
- 9. Ventilation and cooling fan
- 10. DC-in jack
- 11. HDMI 2.1 port
- 12. Thunderbolt 4

- 13. Kensington lock slot
- 14. USB 3.2 Gen 2 port with power-off charging (Up to 10 Gbps)
- 15. USB 3.2 Gen 2 port (Up to 10 Gbps)
- 16. Power indicator
- 17. Battery indicator
- 18. Microphone
- 19. Speakers
- 20. Headset / speaker jack
- 21. MicroSD card reader
- 22. USB 3.2 Gen 1 port (Up to 5 Gbps)
- 23. Ethernet (RJ45) port

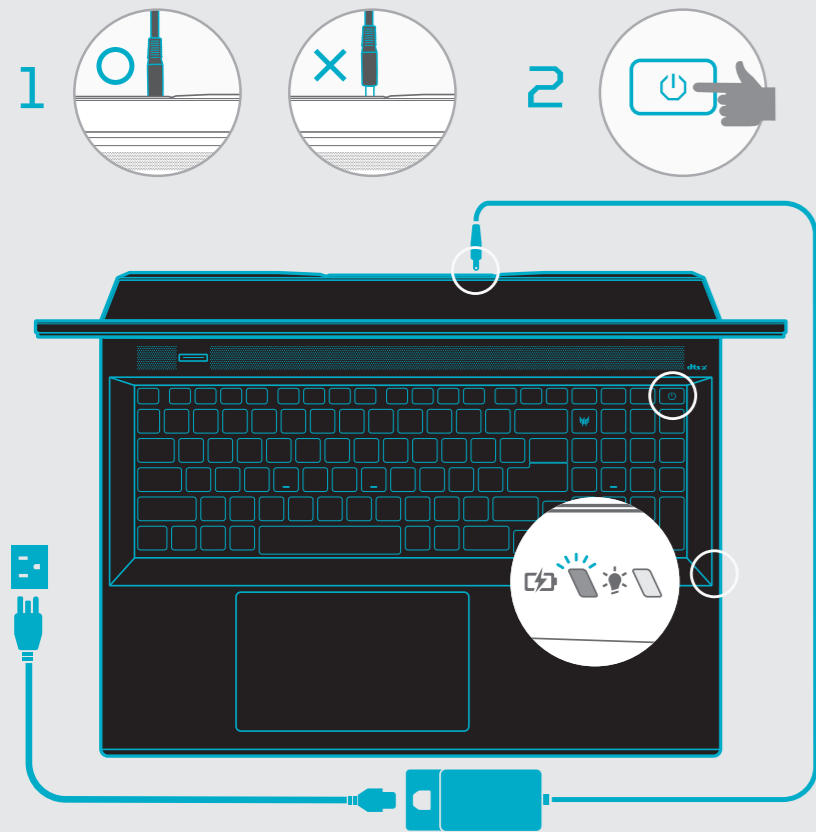
- 1. Microphones
- 2. Webcam
- 3. Screen
- 4. Mode key
- 5. Keyboard
- 6. Touchpad
- 7. PredatorSense key
- 8. Power button
- 9. Ventilation and cooling fan
- 10. DC-in jack
- 11. HDMI 2.1 port
- 12. Thunderbolt 4

- 13. Kensington lock slot
- 14. USB 3.2 Gen 2 port with power-off charging (Up to 10 Gbps)
- 15. USB 3.2 Gen 2 port (Up to 10 Gbps)
- 16. Power indicator
- 17. Battery indicator
- 18. Microphone
- 19. Speakers
- 20. Headset / speaker jack
- 21. MicroSD card reader
- 22. USB 3.2 Gen 1 port (Up to 5 Gbps)
- 23. Ethernet (RJ45) port



Getting Started

Getting Started / Getting Started / Getting Started
Getting Started



Important: An internet connection is required for first-time setup.

Note: Please press the AC adapter into the tunnel to the power connector. You will feel a click indicating it is connected. Then, check the light of battery indicator shows amber while charging

Important: An internet connection is required for first-time setup.

Note: Please press the AC adapter into the tunnel to the power connector. You will feel a click indicating it is connected. Then, check the light of battery indicator shows amber while charging.

Important: An internet connection is required for first-time setup.

Note: Please press the AC adapter into the tunnel to the power connector. You will feel a click indicating it is connected. Then, check the light of battery indicator shows amber while charging

Important: An internet connection is required for first-time setup.

Note: Please press the AC adapter into the tunnel to the power connector. You will feel a click indicating it is connected. Then, check the light of battery indicator shows amber while charging

Important: An internet connection is required for first-time setup.

Note: Please press the AC adapter into the tunnel to the power connector. You will feel a click indicating it is connected. Then, check the light of battery indicator shows amber while charging.



Safety Notice

Safety Notice / Safety Notice / Safety Notice
Safety Notice

WARNING! To reduce the possibility of heat-related injuries or of overheating the computer, do not place the computer directly on your lap or obstruct the computer air vents. Use the computer only on a hard, flat surface. Do not allow another hard surface, such as an adjoining optional printer, or a soft surface, such as pillows or rugs or clothing, to block airflow. Also, do not allow the AC adapter to come into contact with the skin or a soft surface, such as pillows or rugs or clothing, during operation. Wait one-half hour after switch off before handling hot parts.

WARNING! To reduce the possibility of heat-related injuries or of overheating the computer, do not place the computer directly on your lap or obstruct the computer air vents. Use the computer only on a hard, flat surface. Do not allow another hard surface, such as an adjoining optional printer, or a soft surface, such as pillows or rugs or clothing, to block airflow. Also, do not allow the AC adapter to come into contact with the skin or a soft surface, such as pillows or rugs or clothing, during operation. Wait one-half hour after switch off before handling hot parts.

WARNING! To reduce the possibility of heat-related injuries or of overheating the computer, do not place the computer directly on your lap or obstruct the computer air vents. Use the computer only on a hard, flat surface. Do not allow another hard surface, such as an adjoining optional printer, or a soft surface, such as pillows or rugs or clothing, to block airflow. Also, do not allow the AC adapter to come into contact with the skin or a soft surface, such as pillows or rugs or clothing, during operation. Wait one-half hour after switch off before handling hot parts.

WARNING! To reduce the possibility of heat-related injuries or of overheating the computer, do not place the computer directly on your lap or obstruct the computer air vents. Use the computer only on a hard, flat surface. Do not allow another hard surface, such as an adjoining optional printer, or a soft surface, such as pillows or rugs or clothing, to block airflow. Also, do not allow the AC adapter to come into contact with the skin or a soft surface, such as pillows or rugs or clothing, during operation. Wait one-half hour after switch off before handling hot parts.

WARNING! To reduce the possibility of heat-related injuries or of overheating the computer, do not place the computer directly on your lap or obstruct the computer air vents. Use the computer only on a hard, flat surface. Do not allow another hard surface, such as an adjoining optional printer, or a soft surface, such as pillows or rugs or clothing, to block airflow. Also, do not allow the AC adapter to come into contact with the skin or a soft surface, such as pillows or rugs or clothing, during operation. Wait one-half hour after switch off before handling hot parts.

Copyright Information

Copyright Information / Copyright Information / Copyright Information
Copyright Information

This manual contains proprietary information that is protected by copyright laws. The information contained in this manual is subject to change without notice. Illustrations are for reference only. Actual product specifications may vary. Acer Group shall not be liable for technical or editorial errors or omissions contained in this manual.

This manual contains proprietary information that is protected by copyright laws. The information contained in this manual is subject to change without notice. Illustrations are for reference only. Actual product specifications may vary. Acer Group shall not be liable for technical or editorial errors or omissions contained in this manual.

This manual contains proprietary information that is protected by copyright laws. The information contained in this manual is subject to change without notice. Illustrations are for reference only. Actual product specifications may vary. Acer Group shall not be liable for technical or editorial errors or omissions contained in this manual.

This manual contains proprietary information that is protected by copyright laws. The information contained in this manual is subject to change without notice. Illustrations are for reference only. Actual product specifications may vary. Acer Group shall not be liable for technical or editorial errors or omissions contained in this manual.

This manual contains proprietary information that is protected by copyright laws. The information contained in this manual is subject to change without notice. Illustrations are for reference only. Actual product specifications may vary. Acer Group shall not be liable for technical or editorial errors or omissions contained in this manual.

Environment

Environment / Environment/ Environment / Environment

Temperature: - Operating: 5 °C to 35 °C
- Storage: -20 °C to 60 °C

Humidity (non-condensing): - Operating: 20% to 80%
- Storage: 20% to 60%

Temperature: - Operating: 5 °C to 35 °C
- Storage: -20 °C to 60 °C

Humidity (non-condensing): - Operating: 20% to 80%
- Storage: 20% to 60%

Temperature: - Operating: 5 °C to 35 °C
- Storage: -20 °C to 60 °C

Humidity (non-condensing): - Operating: 20% to 80%
- Storage: 20% to 60%

Temperature: - Operating: 5 °C to 35 °C
- Storage: -20 °C to 60 °C

Humidity (non-condensing): - Operating: 20% to 80%
- Storage: 20% to 60%

Temperature: - Operating: 5 °C to 35 °C
- Storage: -20 °C to 60 °C

Humidity (non-condensing): - Operating: 20% to 80%
- Storage: 20% to 60%

Find manuals and other documents

Find manuals and other documents / Find manuals and other documents
Find manuals and other documents / Find manuals and other documents

Find manuals and other documents for your Acer product on the official Acer support website by going to <http://go.acer.com/support>
For EPEAT registered-products, please visit <https://www.epeat.net/> and Acer country website for detailed information.

Find manuals and other documents for your Acer product on the official Acer support website by going to <http://go.acer.com/support>
For EPEAT registered-products, please visit <https://www.epeat.net/> and Acer country website for detailed information.

Find manuals and other documents for your Acer product on the official Acer support website by going to <http://go.acer.com/support>
For EPEAT registered-products, please visit <https://www.epeat.net/> and Acer country website for detailed information.

Find manuals and other documents for your Acer product on the official Acer support website by going to <http://go.acer.com/support>
For EPEAT registered-products, please visit <https://www.epeat.net/> and Acer country website for detailed information.

Find manuals and other documents for your Acer product on the official Acer support website by going to <http://go.acer.com/support>
For EPEAT registered-products, please visit <https://www.epeat.net/> and Acer country website for detailed information.

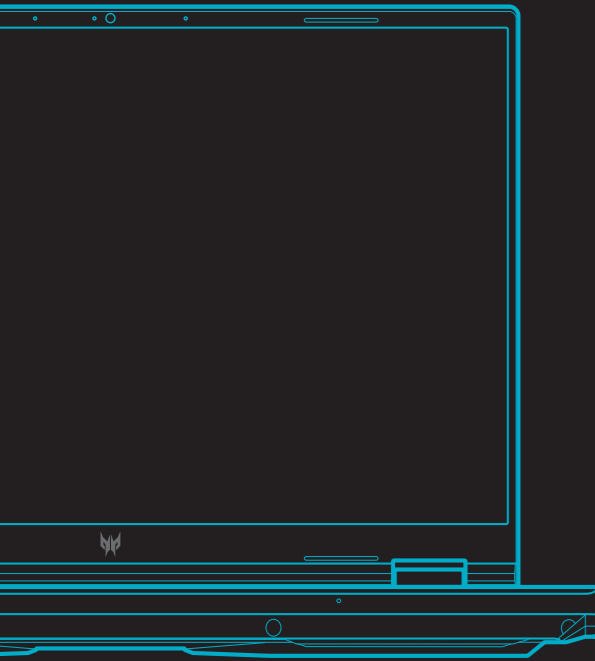


PHN18-71



PREDATOR HELIOS NEO 18

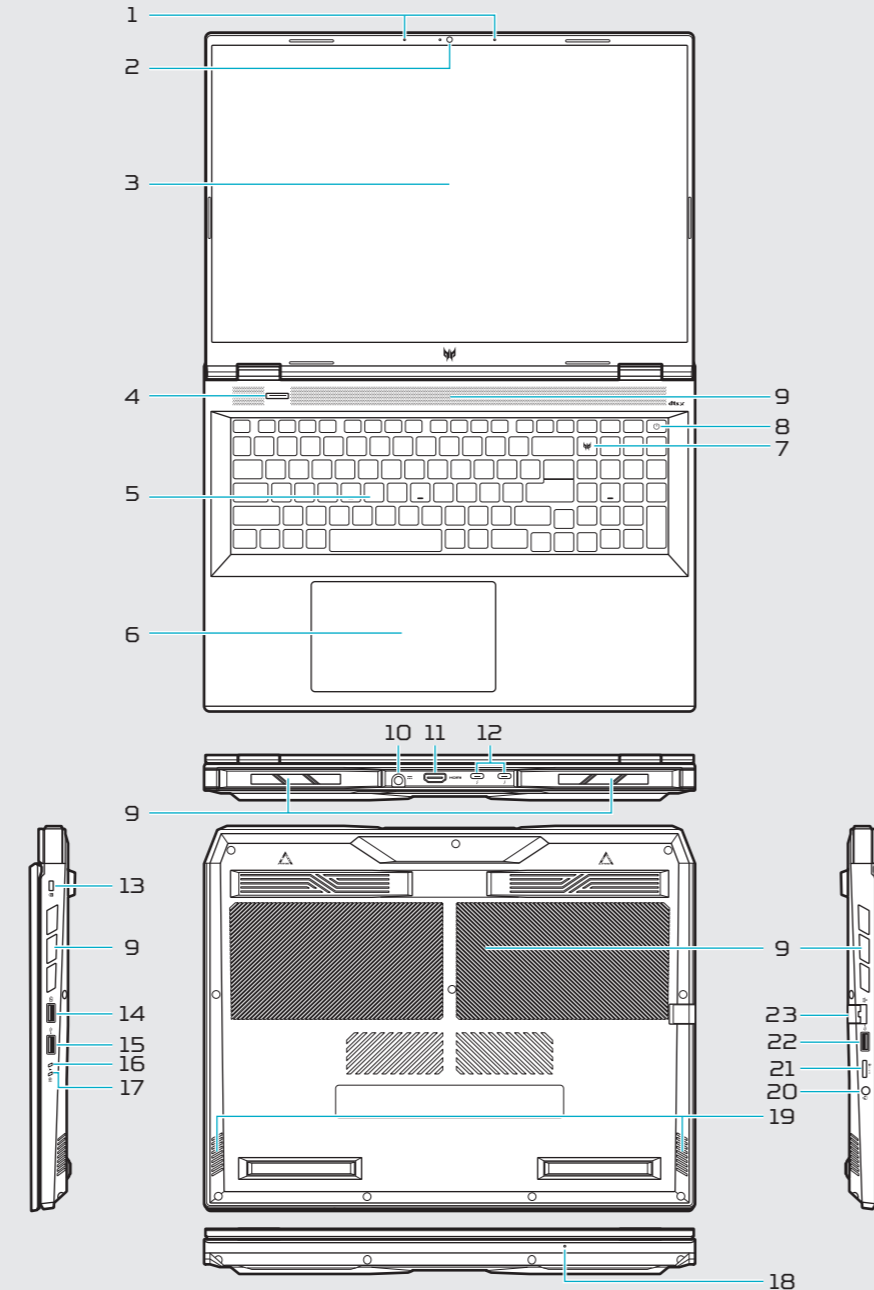
Setup Guide



Setup Guide
Setup Guide
Setup Guide
Setup Guide
Setup Guide

Your Predator Notebook Tour

Your Predator Notebook Tour / Your Predator Notebook Tour
Your Predator Notebook Tour / Your Predator Notebook Tour
Your Predator Notebook Tour



- 1. Microphones
- 2. Webcam
- 3. Screen
- 4. Mode key
- 5. Keyboard
- 6. Touchpad
- 7. PredatorSense key
- 8. Power button
- 9. Ventilation and cooling fan
- 10.DC-in jack
- 11. HDMI 2.1 port
- 12. Thunderbolt 4

- 13. Kensington lock slot
- 14. USB 3.2 Gen 2 port with power-off charging (Up to 10 Gbps)
- 15. USB 3.2 Gen 2 port (Up to 10 Gbps)
- 16. Power indicator
- 17. Battery indicator
- 18. Microphone
- 19. Speakers
- 20. Headset / speaker jack
- 21. MicroSD card reader
- 22. USB 3.2 Gen 1 port (Up to 5 Gbps)
- 23. Ethernet (RJ45) port

- 1. Microphones
- 2. Webcam
- 3. Screen
- 4. Mode key
- 5. Keyboard
- 6. Touchpad
- 7. PredatorSense key
- 8. Power button
- 9. Ventilation and cooling fan
- 10.DC-in jack
- 11. HDMI 2.1 port
- 12. Thunderbolt 4

- 13. Kensington lock slot
- 14. USB 3.2 Gen 2 port with power-off charging (Up to 10 Gbps)
- 15. USB 3.2 Gen 2 port (Up to 10 Gbps)
- 16. Power indicator
- 17. Battery indicator
- 18. Microphone
- 19. Speakers
- 20. Headset / speaker jack
- 21. MicroSD card reader
- 22. USB 3.2 Gen 1 port (Up to 5 Gbps)
- 23. Ethernet (RJ45) port

- 1. Microphones
- 2. Webcam
- 3. Screen
- 4. Mode key
- 5. Keyboard
- 6. Touchpad
- 7. PredatorSense key
- 8. Power button
- 9. Ventilation and cooling fan
- 10.DC-in jack
- 11. HDMI 2.1 port
- 12. Thunderbolt 4

- 13. Kensington lock slot
- 14. USB 3.2 Gen 2 port with power-off charging (Up to 10 Gbps)
- 15. USB 3.2 Gen 2 port (Up to 10 Gbps)
- 16. Power indicator
- 17. Battery indicator
- 18. Microphone
- 19. Speakers
- 20. Headset / speaker jack
- 21. MicroSD card reader
- 22. USB 3.2 Gen 1 port (Up to 5 Gbps)
- 23. Ethernet (RJ45) port

- 1. Microphones
- 2. Webcam
- 3. Screen
- 4. Mode key
- 5. Keyboard
- 6. Touchpad
- 7. PredatorSense key
- 8. Power button
- 9. Ventilation and cooling fan
- 10.DC-in jack
- 11. HDMI 2.1 port
- 12. Thunderbolt 4

- 13. Kensington lock slot
- 14. USB 3.2 Gen 2 port with power-off charging (Up to 10 Gbps)
- 15. USB 3.2 Gen 2 port (Up to 10 Gbps)
- 16. Power indicator
- 17. Battery indicator
- 18. Microphone
- 19. Speakers
- 20. Headset / speaker jack
- 21. MicroSD card reader
- 22. USB 3.2 Gen 1 port (Up to 5 Gbps)
- 23. Ethernet (RJ45) port

- 1. Microphones
- 2. Webcam
- 3. Screen
- 4. Mode key
- 5. Keyboard
- 6. Touchpad
- 7. PredatorSense key
- 8. Power button
- 9. Ventilation and cooling fan
- 10.DC-in jack
- 11. HDMI 2.1 port
- 12. Thunderbolt 4

- 13. Kensington lock slot
- 14. USB 3.2 Gen 2 port with power-off charging (Up to 10 Gbps)
- 15. USB 3.2 Gen 2 port (Up to 10 Gbps)
- 16. Power indicator
- 17. Battery indicator
- 18. Microphone
- 19. Speakers
- 20. Headset / speaker jack
- 21. MicroSD card reader
- 22. USB 3.2 Gen 1 port (Up to 5 Gbps)
- 23. Ethernet (RJ45) port

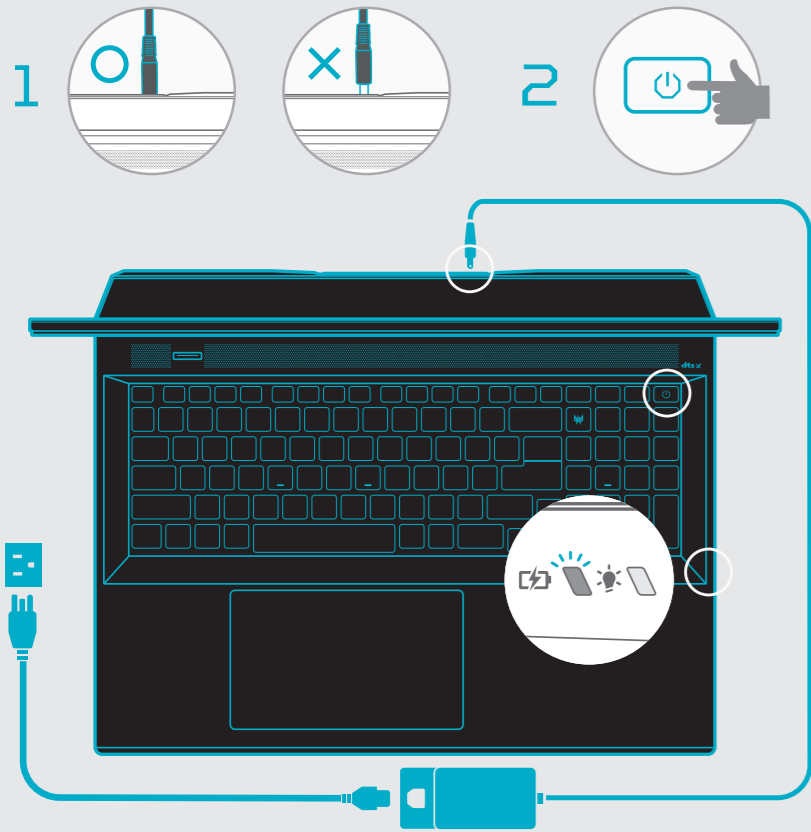
- 1. Microphones
- 2. Webcam
- 3. Screen
- 4. Mode key
- 5. Keyboard
- 6. Touchpad
- 7. PredatorSense key
- 8. Power button
- 9. Ventilation and cooling fan
- 10.DC-in jack
- 11. HDMI 2.1 port
- 12. Thunderbolt 4

- 13. Kensington lock slot
- 14. USB 3.2 Gen 2 port with power-off charging (Up to 10 Gbps)
- 15. USB 3.2 Gen 2 port (Up to 10 Gbps)
- 16. Power indicator
- 17. Battery indicator
- 18. Microphone
- 19. Speakers
- 20. Headset / speaker jack
- 21. MicroSD card reader
- 22. USB 3.2 Gen 1 port (Up to 5 Gbps)
- 23. Ethernet (RJ45) port



Getting Started

Getting Started / Getting Started / Getting Started
Getting Started / Getting Started



Important: An internet connection is required for first-time setup.

Note: Please press the AC adapter into the tunnel to the power connector. You will feel a click indicating it is connected. Then, check the light of battery indicator shows amber while charging

Important: An internet connection is required for first-time setup.

Note: Please press the AC adapter into the tunnel to the power connector. You will feel a click indicating it is connected. Then, check the light of battery indicator shows amber while charging.

Important: An internet connection is required for first-time setup.

Note: Please press the AC adapter into the tunnel to the power connector. You will feel a click indicating it is connected. Then, check the light of battery indicator shows amber while charging

Important: An internet connection is required for first-time setup.

Note: Please press the AC adapter into the tunnel to the power connector. You will feel a click indicating it is connected. Then, check the light of battery indicator shows amber while charging

Important: An internet connection is required for first-time setup.

Note: Please press the AC adapter into the tunnel to the power connector. You will feel a click indicating it is connected. Then, check the light of battery indicator shows amber while charging.

Important: An internet connection is required for first-time setup.

Note: Please press the AC adapter into the tunnel to the power connector. You will feel a click indicating it is connected. Then, check the light of battery indicator shows amber while charging



Safety Notice

Safety Notice / Safety Notice / Safety Notice
Safety Notice / Safety Notice

WARNING! To reduce the possibility of heat-related injuries or of overheating the computer, do not place the computer directly on your lap or obstruct the computer air vents. Use the computer only on a hard, flat surface. Do not allow another hard surface, such as an adjoining optional printer, or a soft surface, such as pillows or rugs or clothing, to block airflow. Also, do not allow the AC adapter to come into contact with the skin or a soft surface, such as pillows or rugs or clothing, during operation. Wait one-half hour after switch off before handling hot parts.

WARNING! To reduce the possibility of heat-related injuries or of overheating the computer, do not place the computer directly on your lap or obstruct the computer air vents. Use the computer only on a hard, flat surface. Do not allow another hard surface, such as an adjoining optional printer, or a soft surface, such as pillows or rugs or clothing, to block airflow. Also, do not allow the AC adapter to come into contact with the skin or a soft surface, such as pillows or rugs or clothing, during operation. Wait one-half hour after switch off before handling hot parts.

WARNING! To reduce the possibility of heat-related injuries or of overheating the computer, do not place the computer directly on your lap or obstruct the computer air vents. Use the computer only on a hard, flat surface. Do not allow another hard surface, such as an adjoining optional printer, or a soft surface, such as pillows or rugs or clothing, to block airflow. Also, do not allow the AC adapter to come into contact with the skin or a soft surface, such as pillows or rugs or clothing, during operation. Wait one-half hour after switch off before handling hot parts.

WARNING! To reduce the possibility of heat-related injuries or of overheating the computer, do not place the computer directly on your lap or obstruct the computer air vents. Use the computer only on a hard, flat surface. Do not allow another hard surface, such as an adjoining optional printer, or a soft surface, such as pillows or rugs or clothing, to block airflow. Also, do not allow the AC adapter to come into contact with the skin or a soft surface, such as pillows or rugs or clothing, during operation. Wait one-half hour after switch off before handling hot parts.

WARNING! To reduce the possibility of heat-related injuries or of overheating the computer, do not place the computer directly on your lap or obstruct the computer air vents. Use the computer only on a hard, flat surface. Do not allow another hard surface, such as an adjoining optional printer, or a soft surface, such as pillows or rugs or clothing, to block airflow. Also, do not allow the AC adapter to come into contact with the skin or a soft surface, such as pillows or rugs or clothing, during operation. Wait one-half hour after switch off before handling hot parts.

WARNING! To reduce the possibility of heat-related injuries or of overheating the computer, do not place the computer directly on your lap or obstruct the computer air vents. Use the computer only on a hard, flat surface. Do not allow another hard surface, such as an adjoining optional printer, or a soft surface, such as pillows or rugs or clothing, to block airflow. Also, do not allow the AC adapter to come into contact with the skin or a soft surface, such as pillows or rugs or clothing, during operation. Wait one-half hour after switch off before handling hot parts.

Copyright Information

Copyright Information / Copyright Information / Copyright Information
Copyright Information / Copyright Information

This manual contains proprietary information that is protected by copyright laws. The information contained in this manual is subject to change without notice. Illustrations are for reference only. Actual product specifications may vary. Acer Group shall not be liable for technical or editorial errors or omissions contained in this manual.

This manual contains proprietary information that is protected by copyright laws. The information contained in this manual is subject to change without notice. Illustrations are for reference only. Actual product specifications may vary. Acer Group shall not be liable for technical or editorial errors or omissions contained in this manual.

This manual contains proprietary information that is protected by copyright laws. The information contained in this manual is subject to change without notice. Illustrations are for reference only. Actual product specifications may vary. Acer Group shall not be liable for technical or editorial errors or omissions contained in this manual.

This manual contains proprietary information that is protected by copyright laws. The information contained in this manual is subject to change without notice. Illustrations are for reference only. Actual product specifications may vary. Acer Group shall not be liable for technical or editorial errors or omissions contained in this manual.

This manual contains proprietary information that is protected by copyright laws. The information contained in this manual is subject to change without notice. Illustrations are for reference only. Actual product specifications may vary. Acer Group shall not be liable for technical or editorial errors or omissions contained in this manual.

This manual contains proprietary information that is protected by copyright laws. The information contained in this manual is subject to change without notice. Illustrations are for reference only. Actual product specifications may vary. Acer Group shall not be liable for technical or editorial errors or omissions contained in this manual.

Environment

Environment / Environment/ Environment / Environment / Environment

Temperature: - Operating: 5 °C to 35 °C
- Storage: -20 °C to 60 °C

Temperature: - Operating: 5 °C to 35 °C
- Storage: -20 °C to 60 °C

Temperature: - Operating: 5 °C to 35 °C
- Storage: -20 °C to 60 °C

Temperature: - Operating: 5 °C to 35 °C
- Storage: -20 °C to 60 °C

Temperature: - Operating: 5 °C to 35 °C
- Storage: -20 °C to 60 °C

Temperature: - Operating: 5 °C to 35 °C
- Storage: -20 °C to 60 °C

Humidity (non-condensing): - Operating: 20% to 80%
- Storage: 20% to 60%

Humidity (non-condensing): - Operating: 20% to 80%
- Storage: 20% to 60%

Humidity (non-condensing): - Operating: 20% to 80%
- Storage: 20% to 60%

Humidity (non-condensing): - Operating: 20% to 80%
- Storage: 20% to 60%

Humidity (non-condensing): - Operating: 20% to 80%
- Storage: 20% to 60%

Humidity (non-condensing): - Operating: 20% to 80%
- Storage: 20% to 60%

Find manuals and other documents

Find manuals and other documents / Find manuals and other documents
Find manuals and other documents / Find manuals and other documents
Find manuals and other documents

Find manuals and other documents for your Acer product on the official Acer support website by going to <http://go.acer.com/support>
For EPEAT registered-products, please visit <https://www.epeat.net/> and Acer country website for detailed information.

Find manuals and other documents for your Acer product on the official Acer support website by going to <http://go.acer.com/support>
For EPEAT registered-products, please visit <https://www.epeat.net/> and Acer country website for detailed information.

Find manuals and other documents for your Acer product on the official Acer support website by going to <http://go.acer.com/support>
For EPEAT registered-products, please visit <https://www.epeat.net/> and Acer country website for detailed information.

Find manuals and other documents for your Acer product on the official Acer support website by going to <http://go.acer.com/support>
For EPEAT registered-products, please visit <https://www.epeat.net/> and Acer country website for detailed information.

Find manuals and other documents for your Acer product on the official Acer support website by going to <http://go.acer.com/support>
For EPEAT registered-products, please visit <https://www.epeat.net/> and Acer country website for detailed information.

Find manuals and other documents for your Acer product on the official Acer support website by going to <http://go.acer.com/support>
For EPEAT registered-products, please visit <https://www.epeat.net/> and Acer country website for detailed information.



PHN18-71