

**Series 2, fully-integrated dishwasher,
45 cm
SPV2HKX42G**



Optional accessories

- SGZ0BI02 : decorative strips stainless steel 81,5cm
- SGZ1010 : inlet and outlet hose extension
- SMZ5000 :
- SMZ5002 : Silver polishing cassette
- SMZ5003 : Retractable hinge f. high corpus dimens.
- SMZ5300 :

Connected dishwasher with noise reduction at any time via the Home Connect App.

- **ExtraDry:** extra drying option for difficult-to-dry loads.
- **Height Adjustable Top Basket:** offers extra space, especially for tall dishes.
- **InfoLight:** a red infolight on the floor indicates whether the dishwasher is switched on or off.
- **Silence on demand:** up to 30 min noise reduction at any time via the Home Connect App.
- **Home Connect:** home appliances with smart connectivity for an easier everyday life.

Technical Data

Energy Efficiency Class: E
 Energy Consumption for 100 cycles Eco Programme: 76 kWh
 Maximum number of place settings: 10
 The water consumption of the eco programme in liters per cycle: 8.9 l
 Programme duration: 3:40 h
 Airborne acoustical noise emissions : 46 dB(A) re 1 pW
 Airborne acoustical noise emission class: C
 Cleaning performance: A
 Water consumption: 8.9 l
 Total annual water consumption 220 days: 1958 l
 Built-in / Free-standing: Built-in
 Removable top: No
 Door panel options: Not possible
 Height of removable worktop: 0 mm
 Height of the appliance: 815 mm
 Adjustable feet: Yes - all from front
 Maximum adjustability feet: 60 mm
 Adjustable plinth: Both horizontal and vertical
 Net weight: 27.1 kg
 Gross weight: 28.9 kg
 Connection Rating: 2400 W
 Fuse protection: 10 A
 Voltage: 220-240 V
 Frequency: 50; 60 Hz
 Length electrical supply cord: 175.0 cm
 Plug type: GB plug
 Length inlet hose: 165 cm
 Length outlet hose: 205 cm
 Hidden heating element: Yes
 Water protection system description: Triple water protection 24h
 Child safety devices: No
 Water softener: Yes
 Top basket type: R2 45 cm
 Adjustable upper basket: Single
 Bottom basket type: R2 45 cm
 3rd Rack: None
 Optional accessories: SGZ0BI02, SGZ1010, SMZ5000, SMZ5002, SMZ5003, SMZ5300
 Included accessories 2: steam protection
 Number of place settings: 10
 Dimensions of the product (HxWxD): 815 x 448 x 550 mm
 Dimensions of the packed product (HxWxD): 880 x 510 x 670 mm



Series 2, fully-integrated dishwasher, 45 cm SPV2HKX42G

Connected dishwasher with noise reduction at any time via the Home Connect App.

Performance

- Energy Efficiency Class¹: E
- Energy² / Water³: 76 kWh / 8.9 litres
- Capacity: 10 place settings
- Programme duration⁴: 3:40 (h:min)
- Noise level: 46 dB(A) re 1 pW

Programmes / functions

- Noise Efficiency Class: C
- 5 programmes: Eco 50 °C, Auto 45-65°, Intensive 70 °C, Express 65°, Favourite
- Default favourite programme: Pre-Rinse
- 3 special options: Remote Start, Extra Dry, SpoD VarioSpeedPlus
- Add-On functions via Home Connect app: Hygiene+, Silence on Demand
- Machine Care Programme

Flexible design elements

- Vario baskets
- Height adjustable top basket
- Low friction wheels on lower basket
- Rack Stopper to prevent derailing of bottom basket
- 2 foldable plate racks in bottom basket
- Knife rack in top basket
- Variable cutlery basket in bottom basket
- Upper rack cup shelf

Innovations and technology

- Home Connect ready on WLAN
- Heat exchanger - Hygienic and efficient drying
- DosageAssist detergent dispenser
- EcoSilence BLDC drive
- Automatic detergent detection
- AquaSensor III
- AquaMix - Glass protection system

Design features

- Push button top edge controls
- InfoLight (Red) - Light projection on the floor
- DuoPower spray arm in upper basket
- Time delay (3, 6 or 9 hours)
- Acoustic end of cycle indicator
- Self-cleaning filter system with 3 piece corrugated filter
- steam protection plate
- AquaStop: Bosch's warranty in case of water damage - for the lifetime of the appliance. Please find warranty terms under <https://www.bosch-home.co.uk/customer-service/care-protection-and-parts/additional-warranties>
- Stainless steel interior
- Dimensions (HxWxD): 81.5 x 44.8 x 55cm

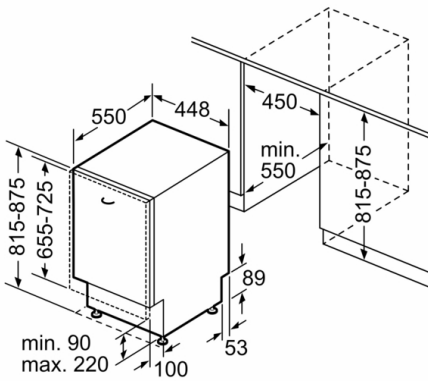
¹ Scale of Energy Efficiency Classes from A to G

² Energy consumption in kWh per 100 cycles (in programme Eco 50 °C)

³ Water consumption in litres per cycle (in programme Eco 50 °C)

⁴ Duration of programme Eco 50 °C

**Series 2, fully-integrated dishwasher, 45 cm
SPV2HKX42G**



measurements in mm

