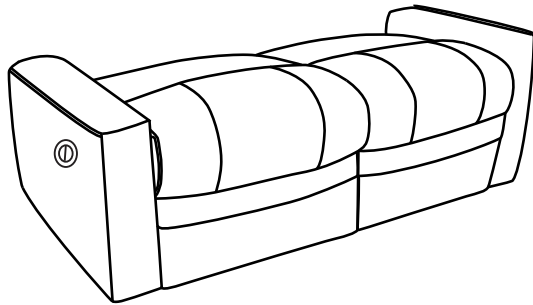
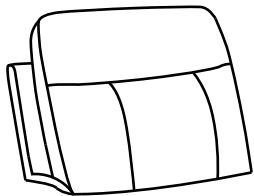


Components

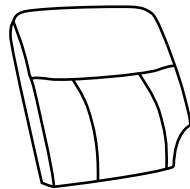
Ⓐ 1 x Seat Unit



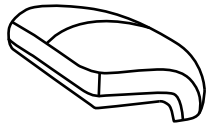
Ⓑ 1 x Left Back Rest



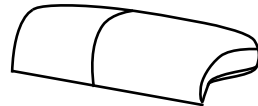
Ⓒ 1 x Right Back Rest



Ⓓ 1 x Left Arm Cushion

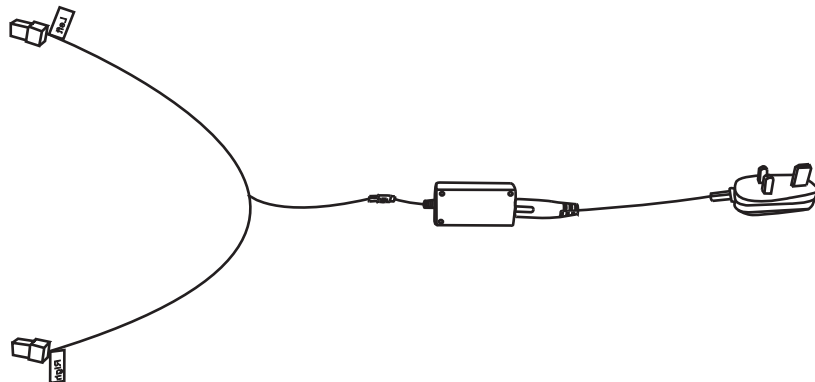


Ⓔ 1 x Right Arm Cushion



Fittings

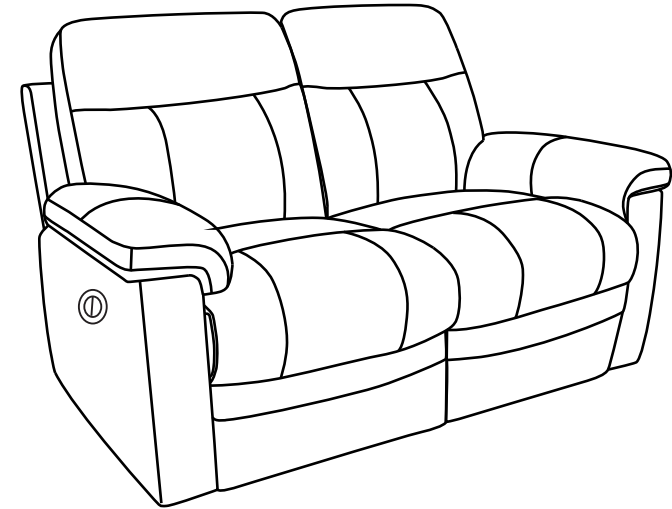
Ⓕ 1xMains Electricity Supply



TC NEW PAOLO 2 SEAT POWERED

Simple Assembly Instructions - Please keep for future reference

5554001 5582860
5326930 5399527



Important-Please read these instructions fully before starting assembly

If you need help or have damaged or missing parts, call the Customer Helpline: 0345 640 0800
0345 601 2895

1. Read these instructions carefully and familiarise yourself with the procedure before assembling the unit.
2. Check that you have all the component parts following the list on the back cover and familiarise yourself with each part before proceeding.
3. Take all the fittings out of the plastic bag and separate them into their groups.
4. Ensure you have enough space to lay out all the parts before assembly.
5. To avoid scratching it is recommended that you assemble the unit on a soft level surface.

Assembly Instructions

Stage 1 – Fitting the Unit

NOTE: It would be useful to ask someone to help you at this stage.

1. The armrest (D) (E) is put behind of seat cushion please get armrest for assembly

See fig.1.

2. Firstly attach the arm cushion. You can find the assembly steps in the last page.

3. Attach the Left Back Rest (B) and Right Back Rest (C) to the Seat Unit (A). Engage the metal locks and push fit. You should hear them lock into position.

See fig. 2.

4. Fit the velcro cover which is on the back rests onto the velcro on the seat cushion.

NOTE: Carefully line up the two side metal locks. Ensure they align correctly.



CAUTION:

- Beware of entrapment. Keep hands and fingers clear of the tilt mechanism when operating the controls.
- Ensure that children or pets are not playing or lying in the way when the tilt mechanism is operated.
- Prevent children from playing on the furniture or with the controls.

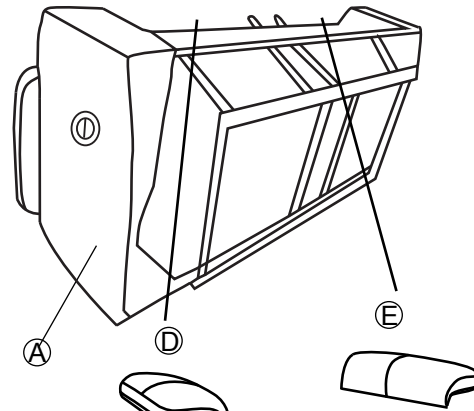


fig. 1

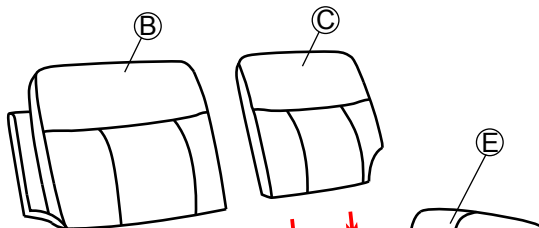
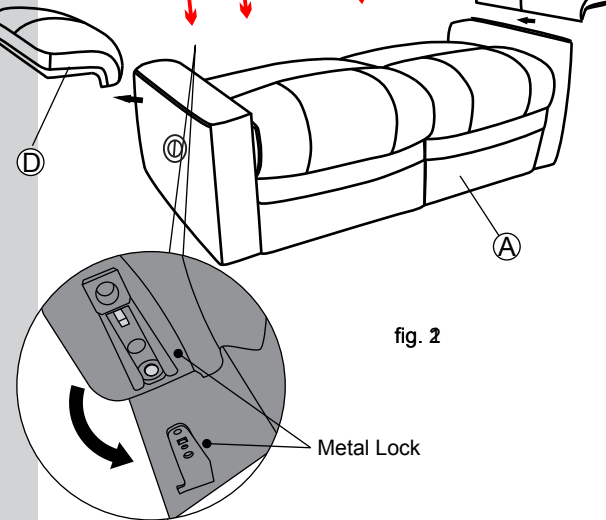


fig. 2



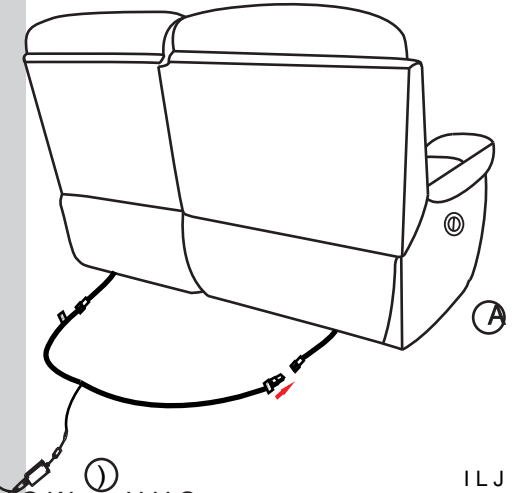
Metal Lock

Assembly Instructions



WARNING: If the supply cord is damaged, it must be replaced by the manufacturer, its service agent or similarly qualified persons in order to avoid a hazard.

5. Remove and unpack the fittings which are stored under the Seat Unit (A). See fig. 3.



& \$87,21

- %HZDUH RI HQWUDSPHQW .HHS KDQGV DQG ILQJHUV FOHDU RI WKH WLOW PHFKDQLVP ZKHQ RSHUDWLQJ WKH FRQWUROV
- (QVXUH WKDW FKLOGUHQ RU SHWV DUH QRW SOD\LQJ RU O\LQJ LQ WKH ZD\ ZKHQ WKH WLOW PHFKDQLVP LV RSHUDWHG
- 3UHYHQW FKLOGUHQ IURP SOD\LQJ RQ WKH IXUQLWXUH RU ZLWK WKH FRQWUROV

ILJ

W A S E E L E C T R I C A L P R O D U C T S
S H O U L D N O T B E D I S P O S E D O F
W T H H Q J S E H Q D W A S E P I E A S E
R I C Y I E W H I E F A Q L I T E S E X S T
C H E C K W T H Y Q J R L O B L A U T O I R T Y
F O R R E C Y I N I G A D V C E

NOTE: It would be useful to ask someone to help you at this stage.

Assembly Instructions

Stage 2 - Arm cushion assembly steps

1. Please fix the arm cushion by zipping it onto the outside of the armrest.

See fig.4.



fig. 4

2. Adjust the arm cushion with the right position onto the armrest .

See fig.5.



fig. 5

3. Press the seat cushion next to the inside of armrest. then stick the velcro into the inside of armrest.

See fig. 6.



fig.6

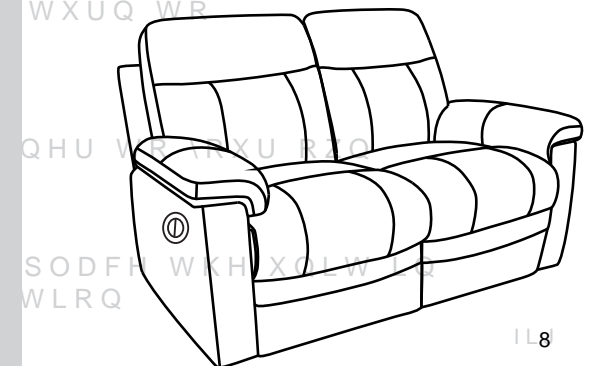
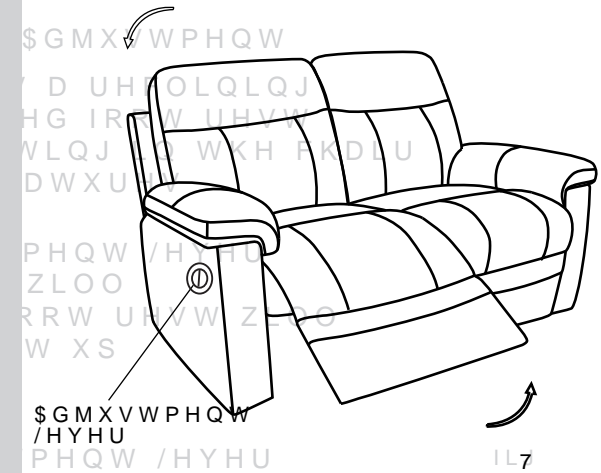
Assembly Instructions

6 W D J H 2 S H 4 D W L Q J W K H 8 Q L W

6 H H 7 L J

6 H H 7 L J

6 H H 8 L J



& D U H D Q G 0 D L Q W H Q D Q F H

6 D I H W \ 7 R D Y R L G D Q \ U L V N R I V X I I R F D W L R Q W R D Q L P D O V R U E D J V L P P H G L D W H O \

& O H D Q L Q J \$ V Z L W K D O O V X U I D F H V F O H D Q Z L W K D G D P S F O R W K R U D E U D V L Y H S U R G X F W V

) L W W L Q J) U R P W L P H W R W L P H S O H D V H H Q V X U H W K H U H D U H Q

if you need help or have damaged or missing parts, call the Customer Helpline:

0345 640 0800/0345 601 2895

489-499 Avebury Boulevard Milton Keynes MK9 2NW, Argos Limited