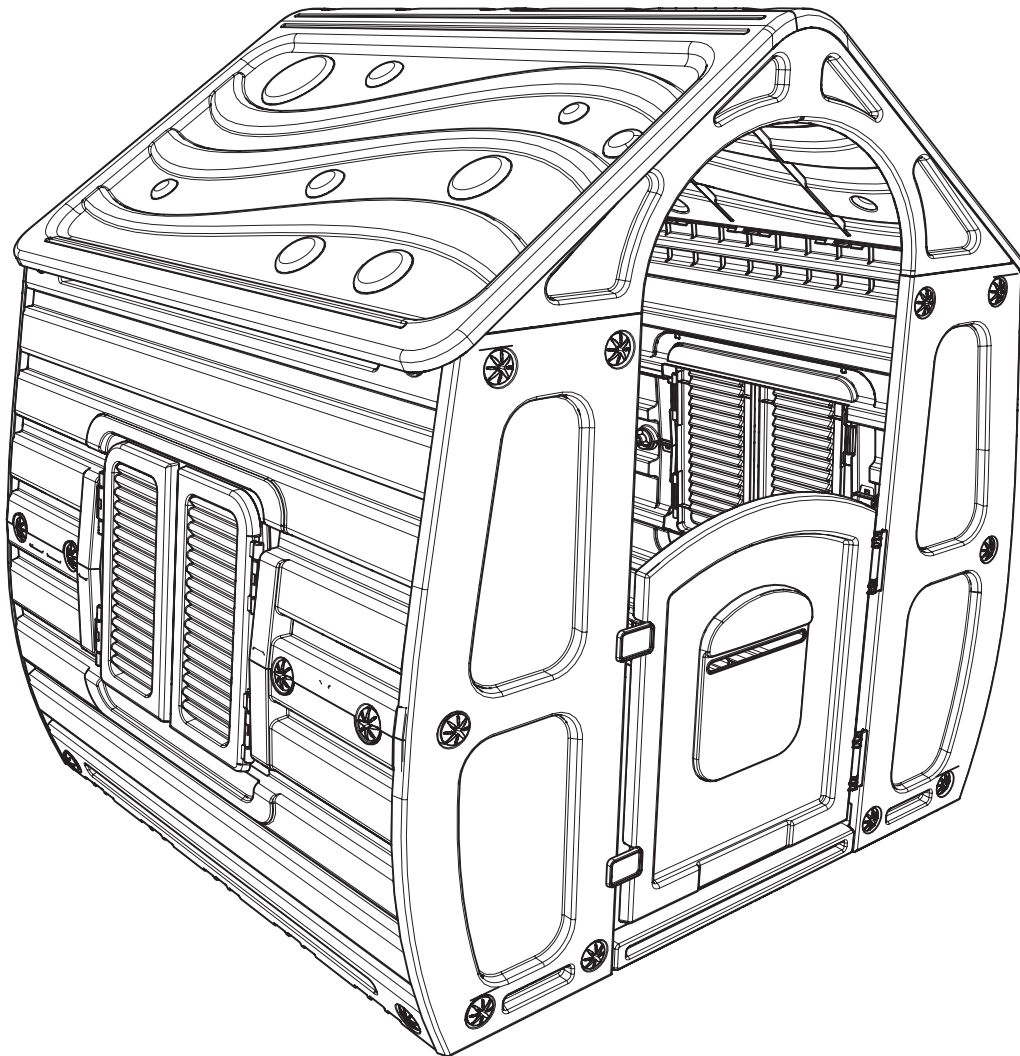


# Magic House

Assembly & User Instructions - Please keep for future reference

5548598



**Important** - Please read these instructions fully before assembly or use

These instructions contain important information which will help you get the best from your product and ensure safe and correct assembly, use and maintenance.

If you need help or have damaged or missing parts, call the **Customer Helpline: 01291 650581**

# Contents

**Parts** 3

## **Assembly Instructions**

Step 1-2 4

Step 3-4 5-6

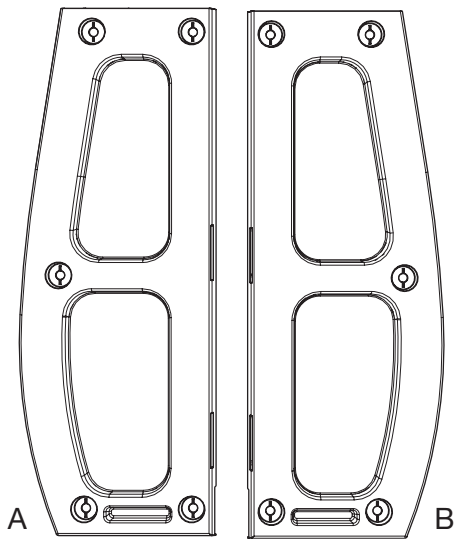
Step 5-6 7-8

Step 7-8 9-10

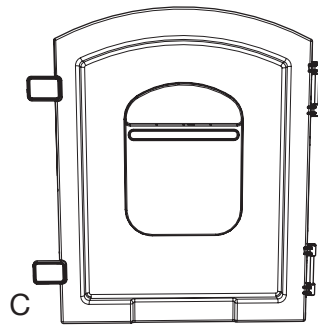
Step 9-10 11-12

# Parts

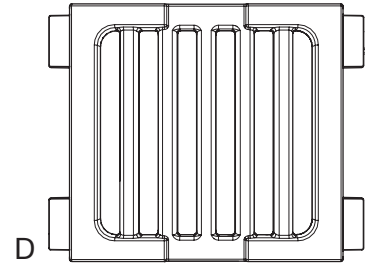
If you have damaged or missing parts,  
call the **Customer Helpline: 01291 650581**



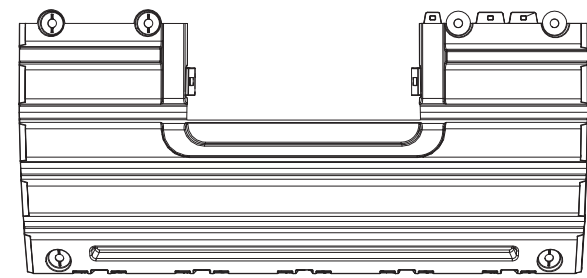
A 2 X 3-10-561      B 2 X 2-10-561



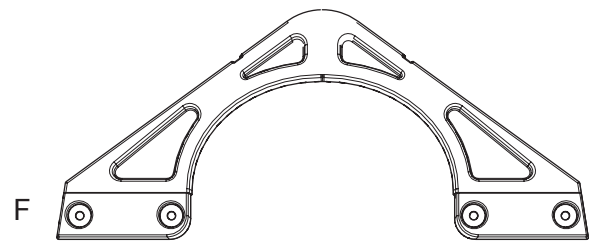
C 1 X 6-10-561



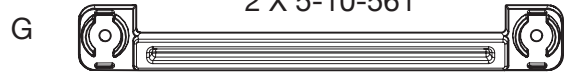
D 1 X 7-10-561



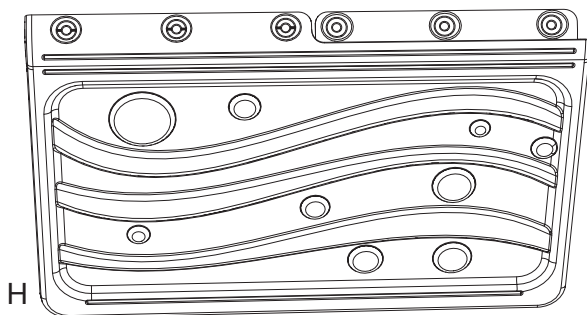
E 4 X 4-10-561



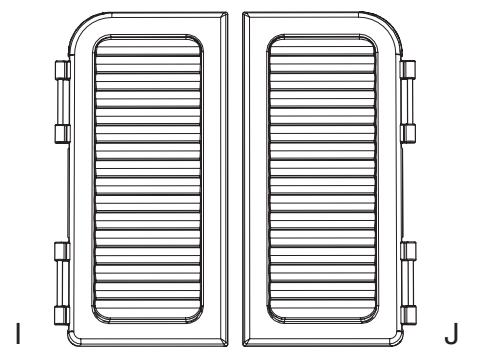
F 2 X 5-10-561



G 2 X 8-10-561



H 2 X 1-10-561



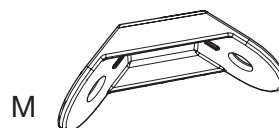
I 2 X 2-78-560      J 2 X 1-78-560



K 2 X 4-78-560



L 42 X 9-99-560



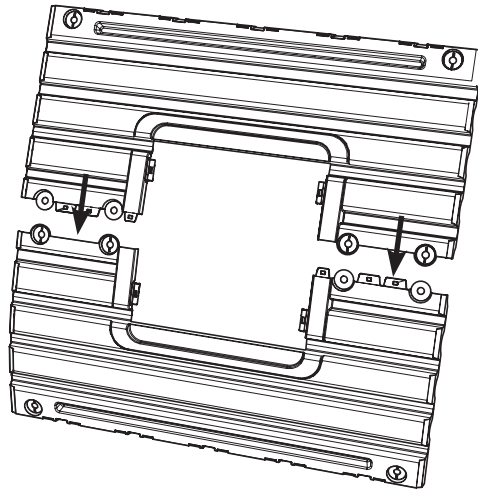
M 12 X 3-78-560



N 42 X 9-51-560

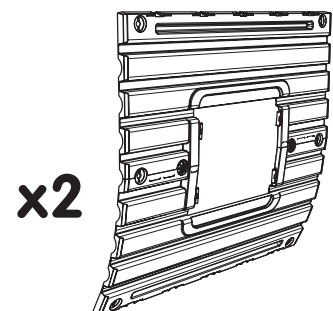
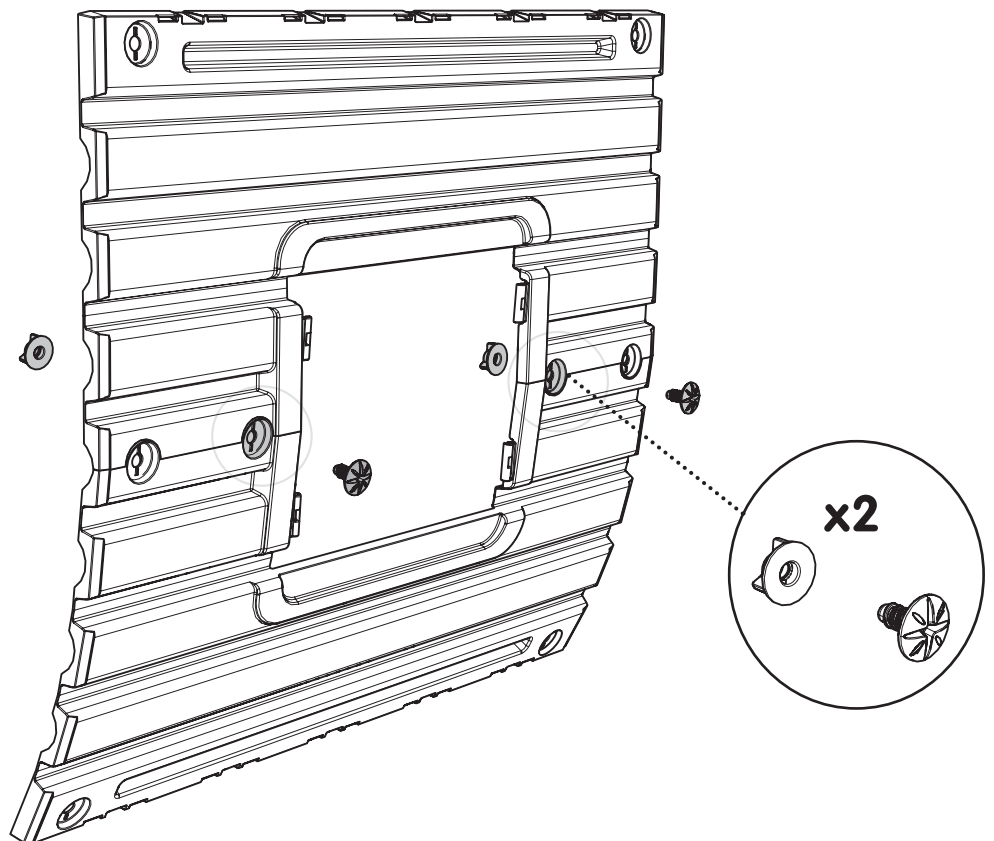
## Step 1

Connect 2 halves of each side wall (E) to each other.



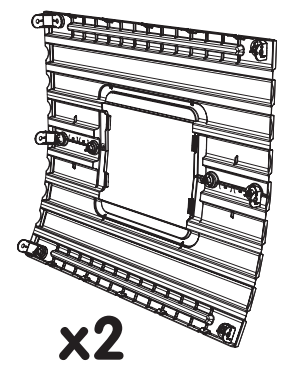
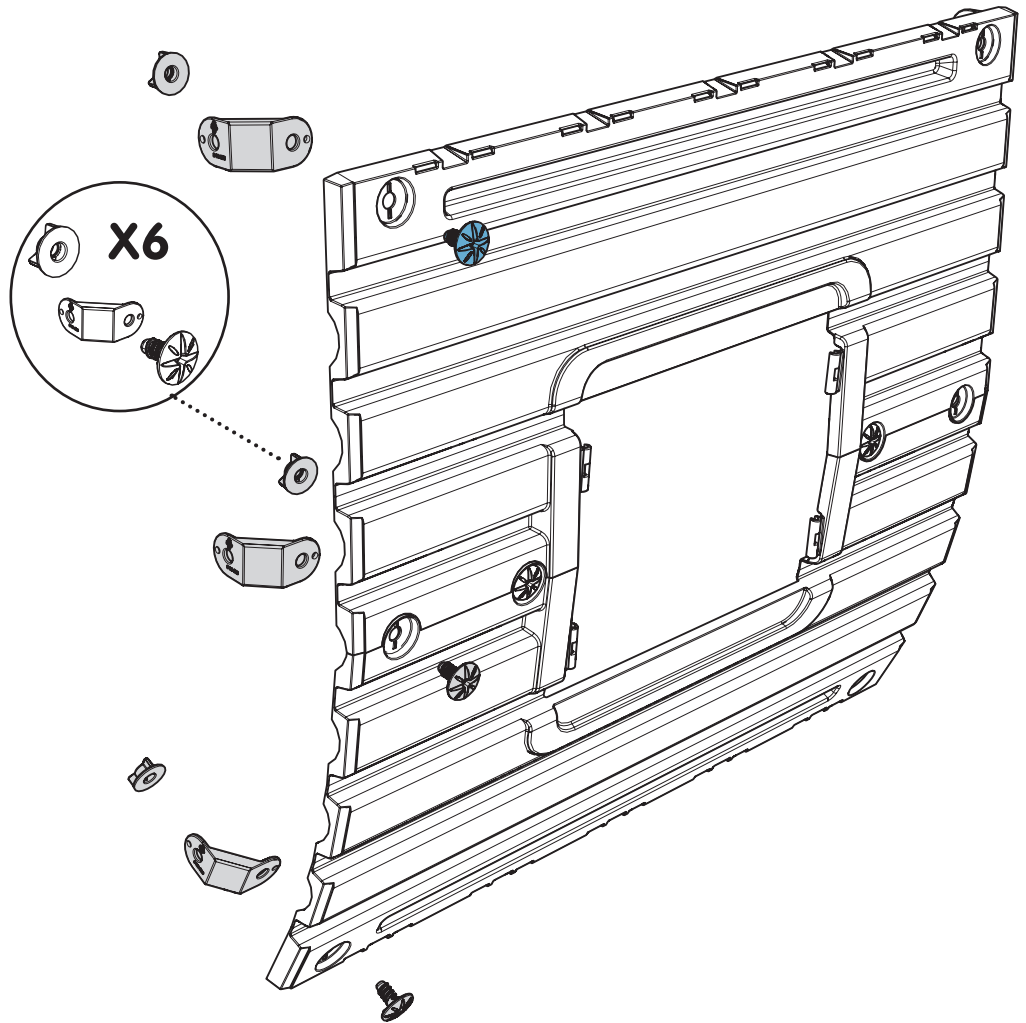
## Step 2

Fix the halves of each side wall with screws (L) and nuts(N) .



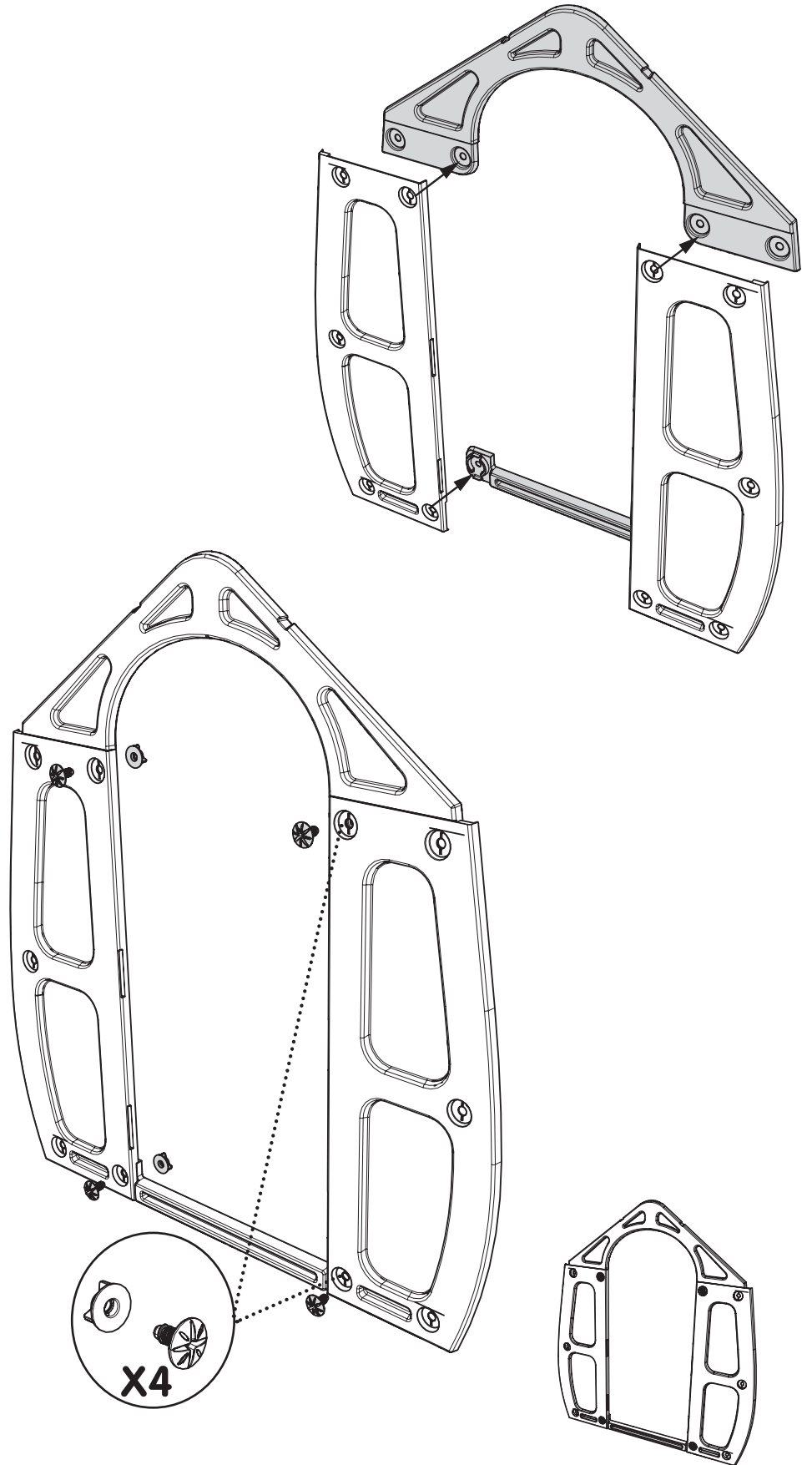
### Step 3

Fix wall connectors (M) on each side wall with screws (L) and nuts (N).



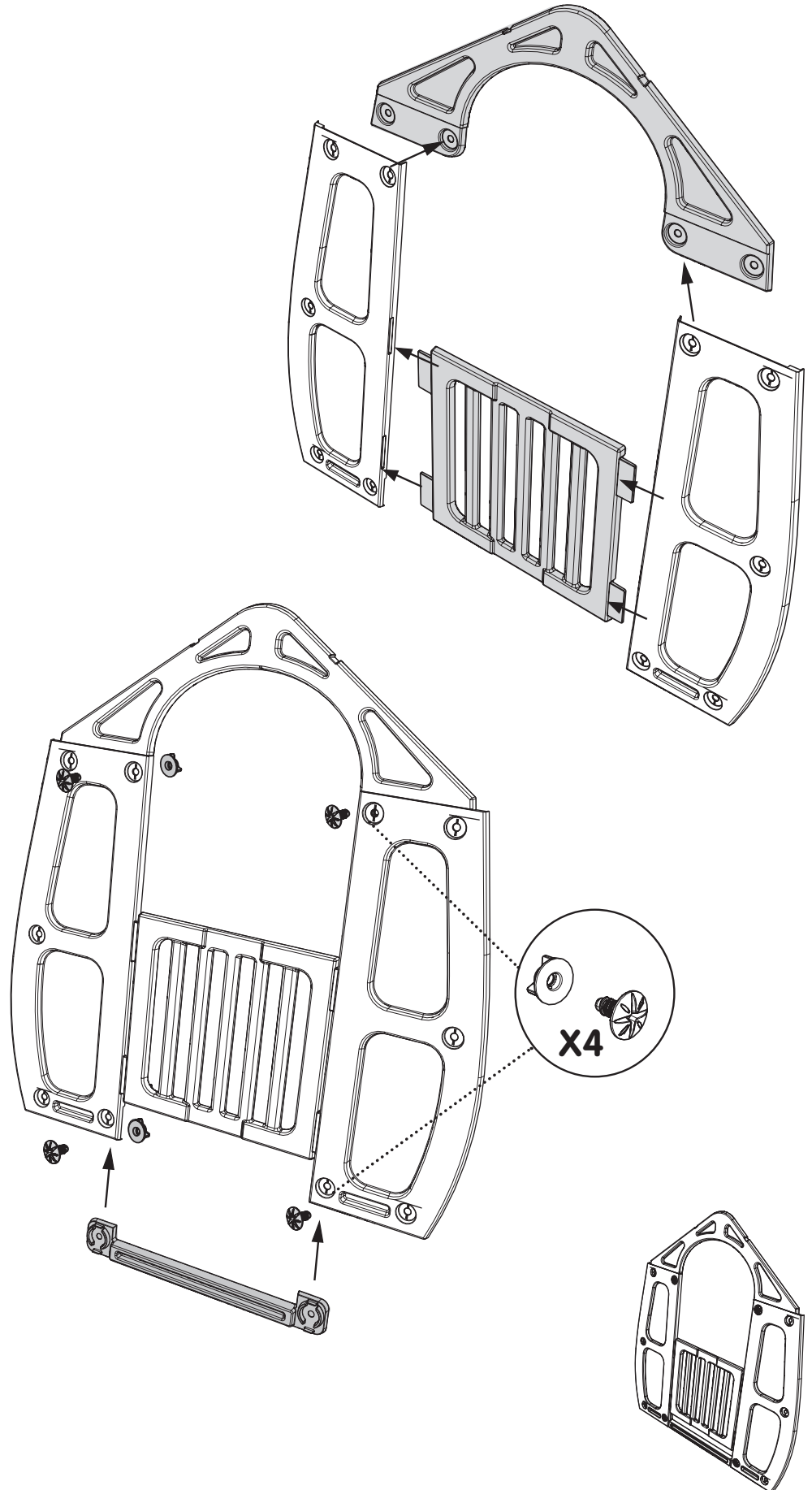
## Step 4

Connect one triangle panel (F) and one bottom beam (G) to the 2 parts of the front wall (A&B) with screws (L) and nuts (N).



## Step 5

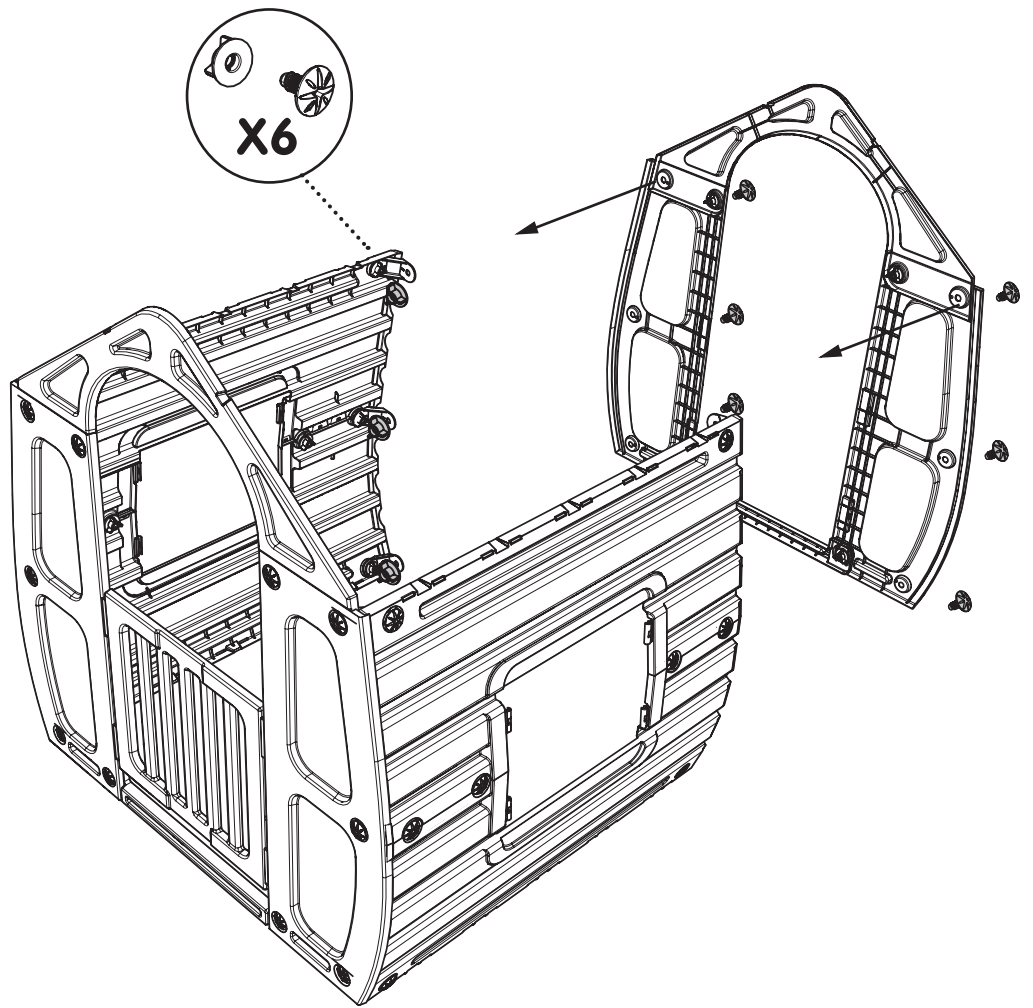
Connect one triangle panel (F), the fence (D) and one bottom beam (G) to the 2 parts of the rear wall (A&B) with screws (L) and nuts (N).





## Step 6

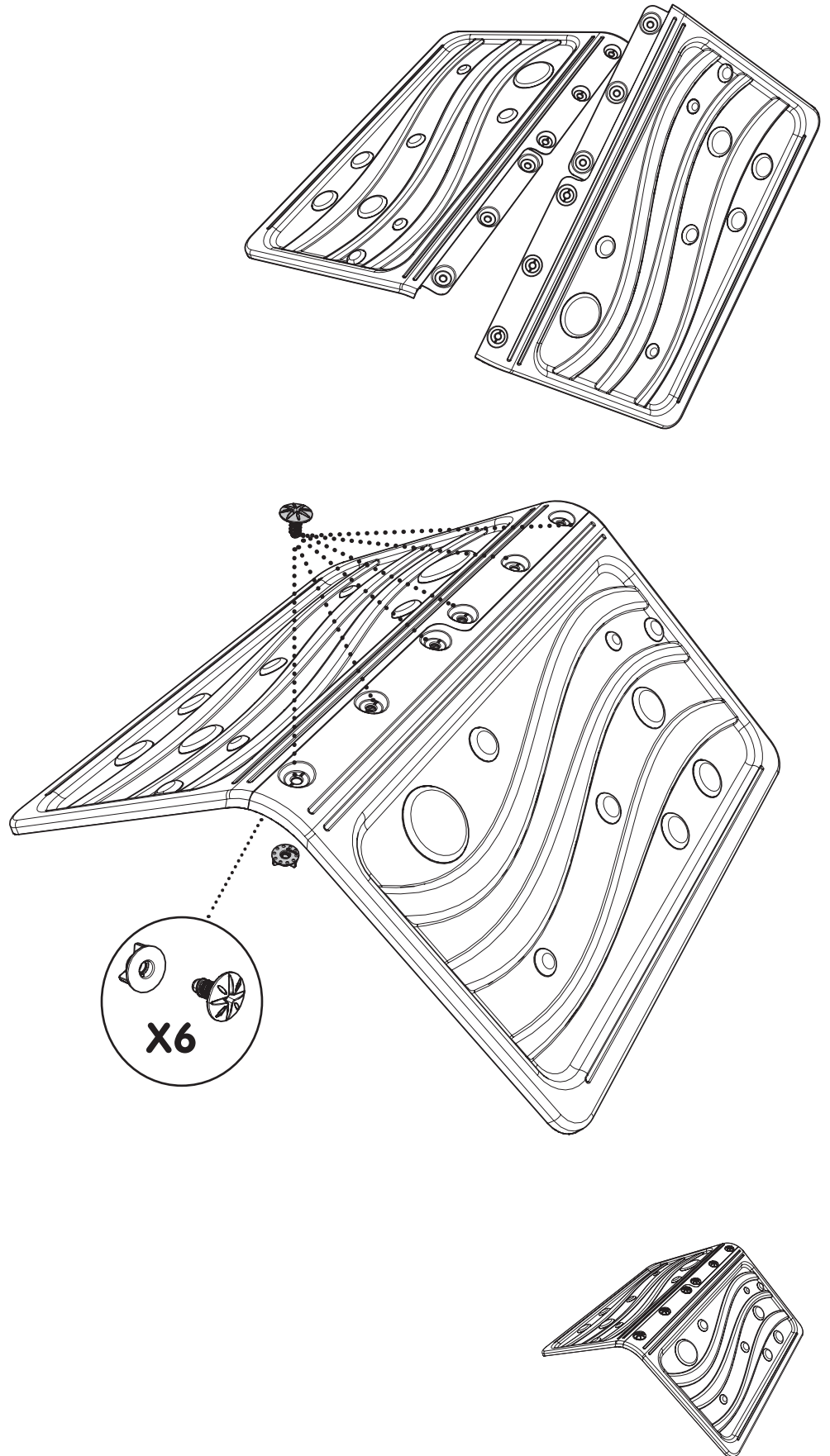
Connect the front and back walls to the side walls with screws (L) and nuts (N).





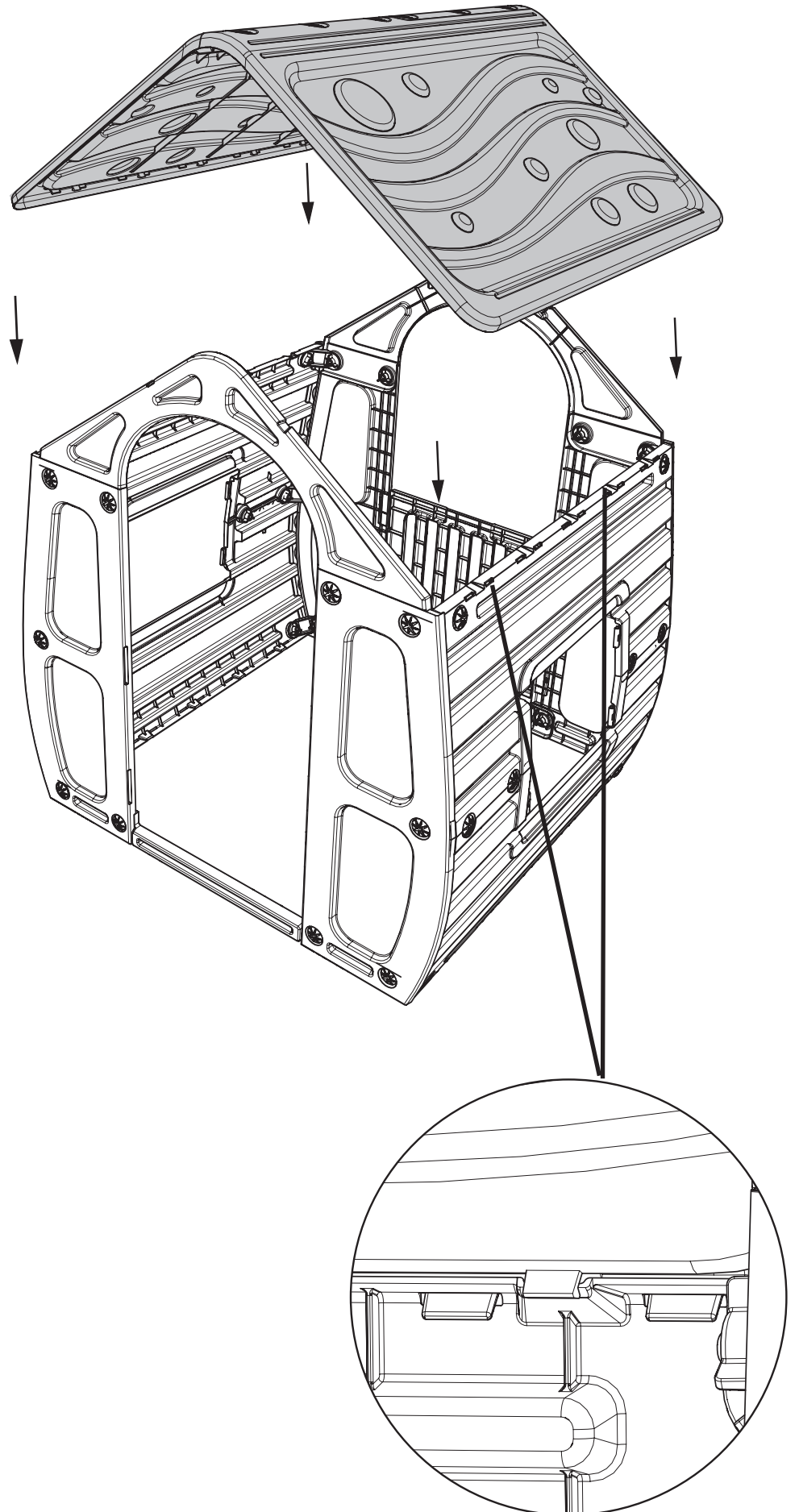
## Step 7

Connect 2 roof parts (H) to each other with screws (L) and nuts (N).



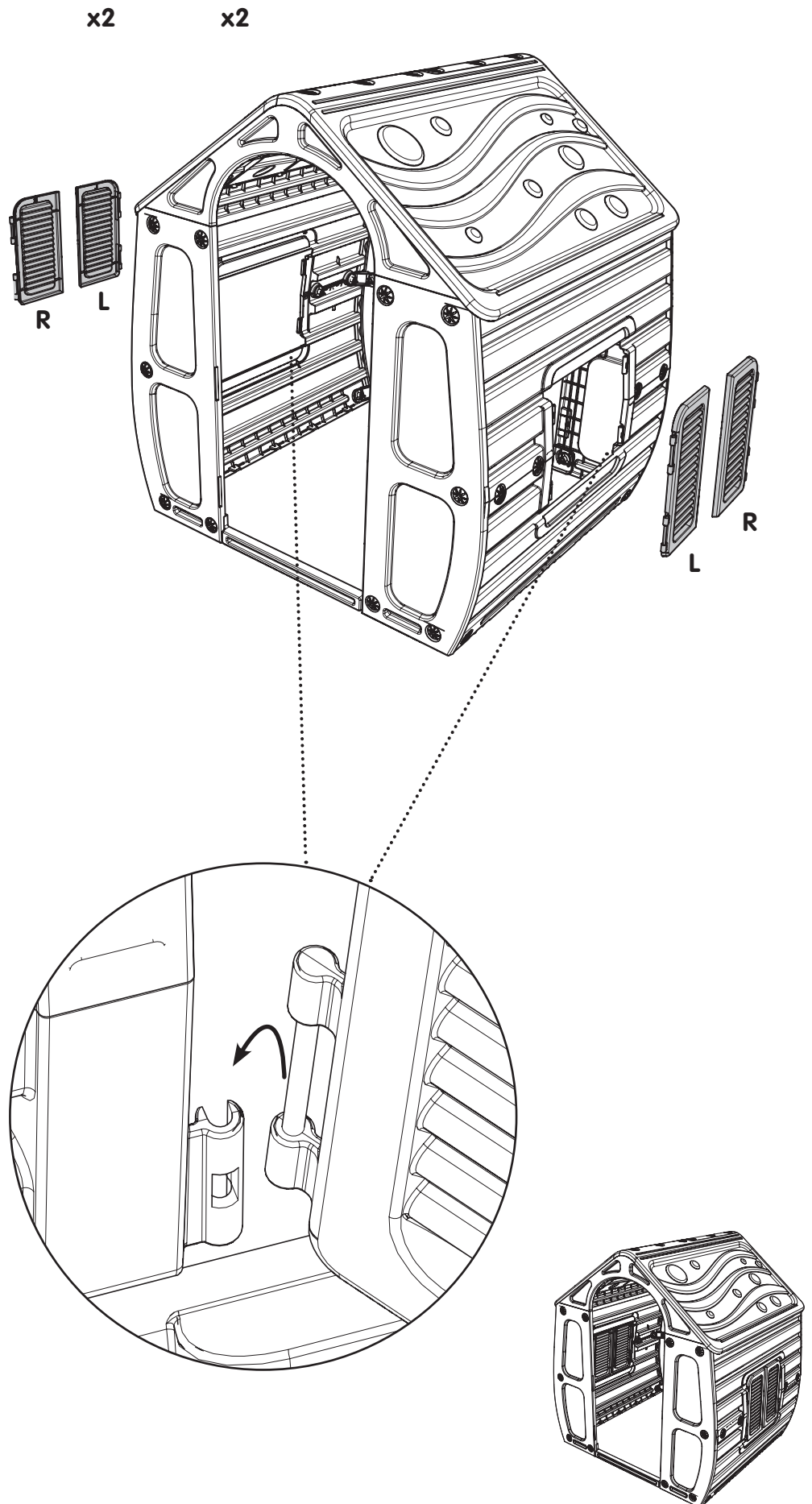
## Step 8

Place the roof on top of the house and click it in to side walls.



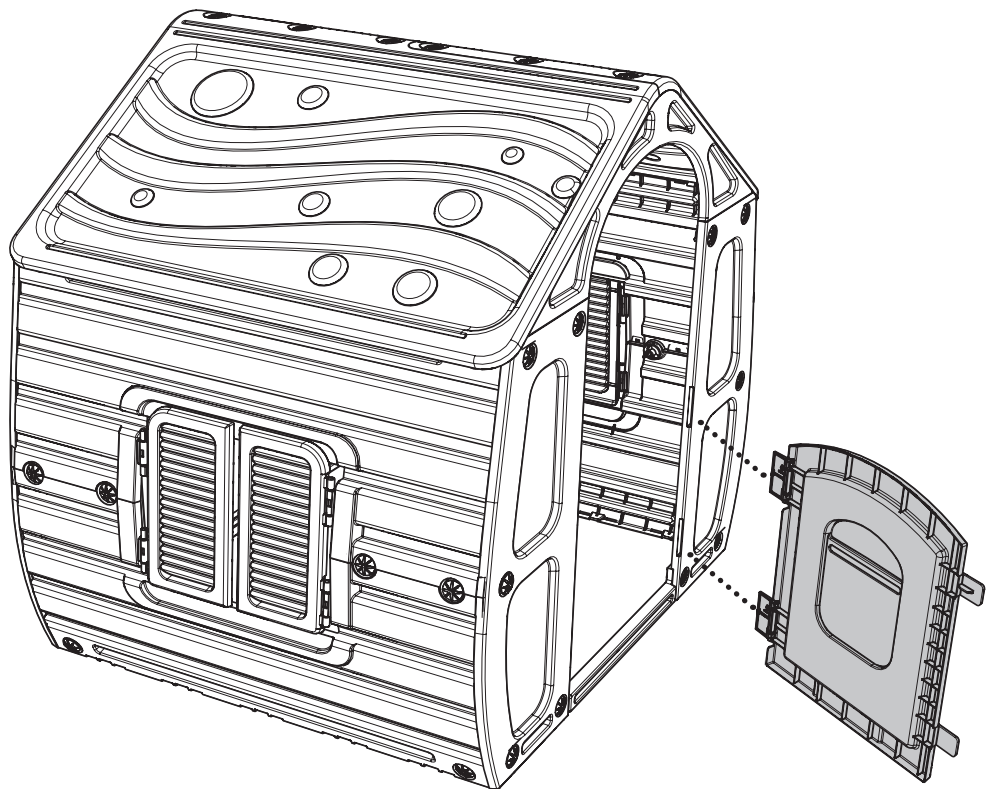
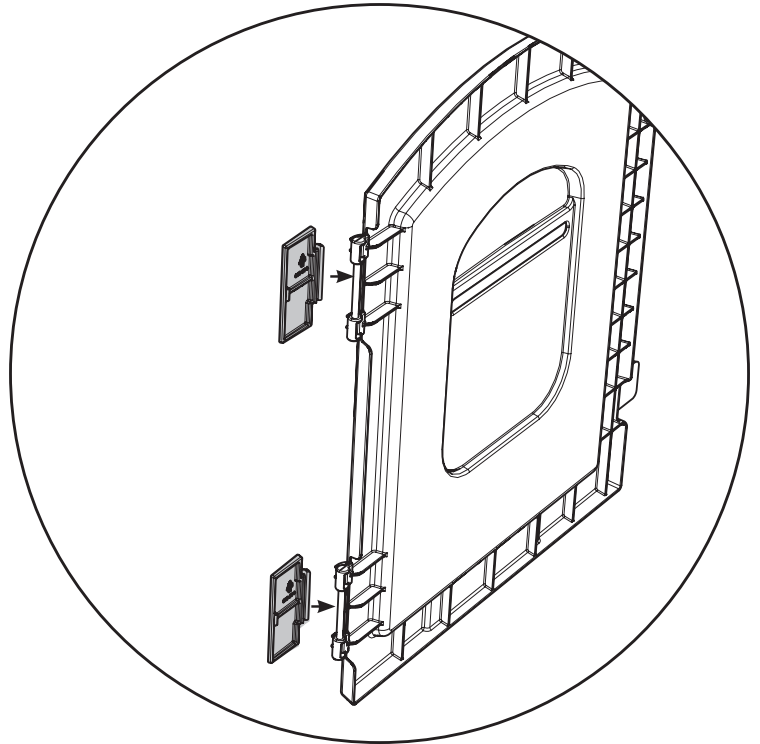
## Step 9

Connect the window shutters (I & J) to the hinges on the side walls.



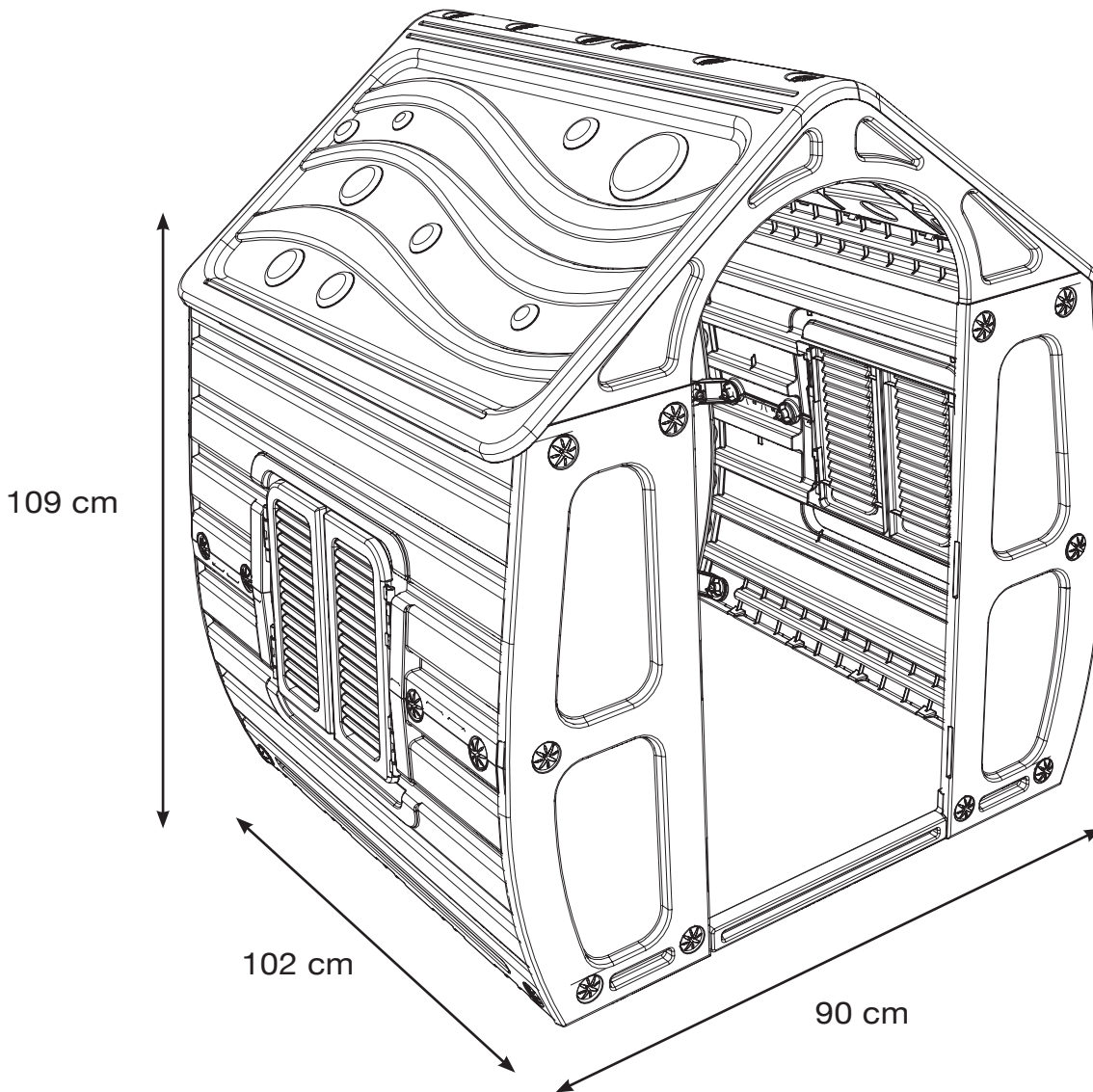
## Step 10

Connect 2 door hinges (K) to the door (C)  
Connect the door to the front wall by sliding the hinges into the slots.









- **WARNING! Domestic use only.**
- **WARNING! Indoor / outdoor use.**
- **WARNING! 30kg user max. weight.**
- Use under adult supervision only.
- Remove all packaging materials such as bags, bands and cartons.
- Place the toy on a level surface at least 2 meters from any structure or obstruction, such as fence, garage, house, overhanging branches, laundry lines or electrical wires.
- The toy shall not be installed over concrete, asphalt or any other hard surface
- Check the toy regularly before use.
- Check connections regularly for continued security and for any evidence of deterioration or hazards.
- Replace, if required, with suitable and new parts, failure to do so may result in an injury or fall.
- Adult assembly required.
- Please keep this instruction sheet for future reference.
- Climbing on the roof is forbidden.
- Cleaning: Use a damp soft cloth & light detergent to clean.
- Take down and do not use the item in adverse weather conditions: i.e: Strong Winds.



*If you need help or have damaged or missing parts, call the **Customer Helpline: 01291 650581***

*Produced for Chad Valley Toys. Country of origin: Israel.*

*Argos LTD Address: 488 - 499 Avebury Boulevard, Central Milton Keynes, MK9 2NW.*

**[www.argos.co.uk/chadvalley](http://www.argos.co.uk/chadvalley)**