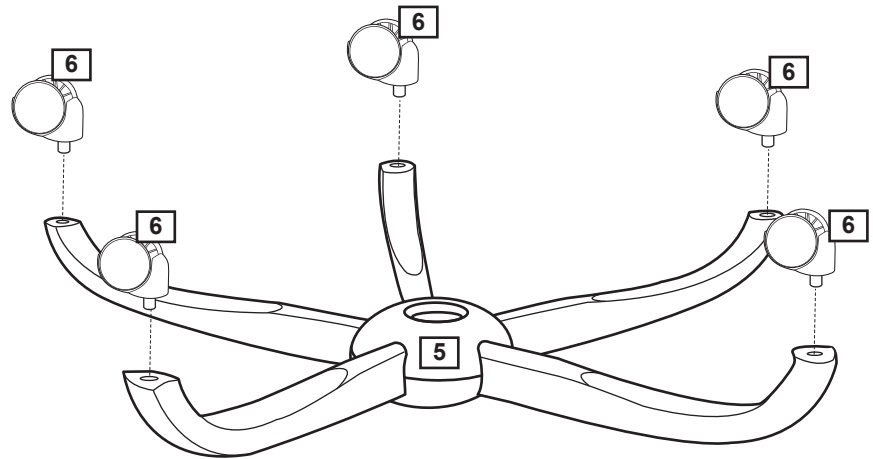


Assembly Instructions

Step 3

Attaching castors

Place the base **5** upside down on a flat protected surface. Attach the castors **6** into holes on the base and secure by pressing down firmly.



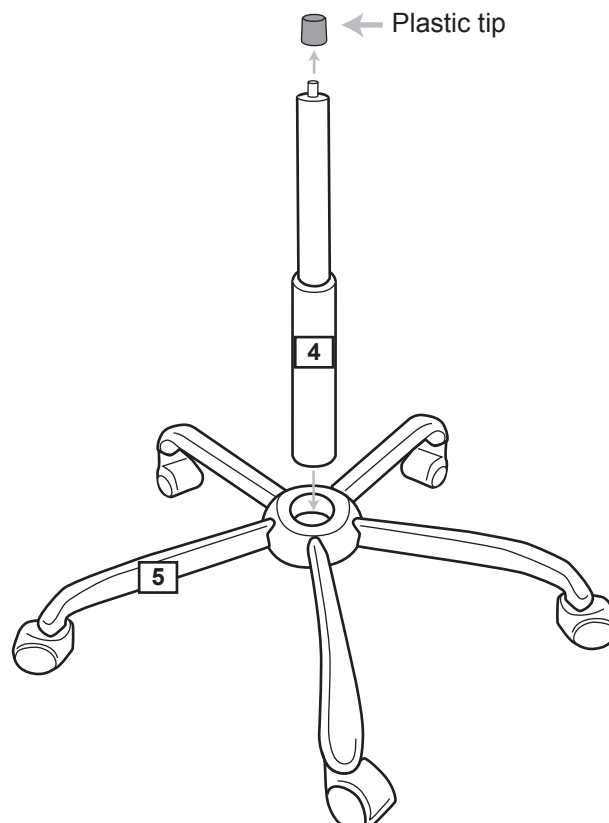
Step 4

Attaching gas lift

Place the base **5** on a flat protected surface. Insert the gas lift **4** into the hole on the base as shown and press firmly to secure.



Important: Remove plastic tip cover on gas lift before assembling.

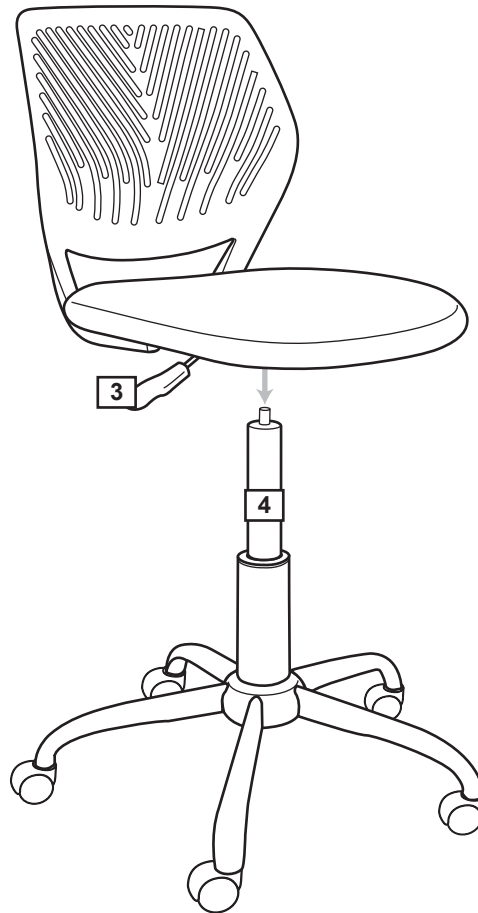


Assembly Instructions

Step 5

Attaching the seat

Position the seat as shown and insert the gas lift **4** into the mounting plate **3**. Secure by pressing down the seat firmly.

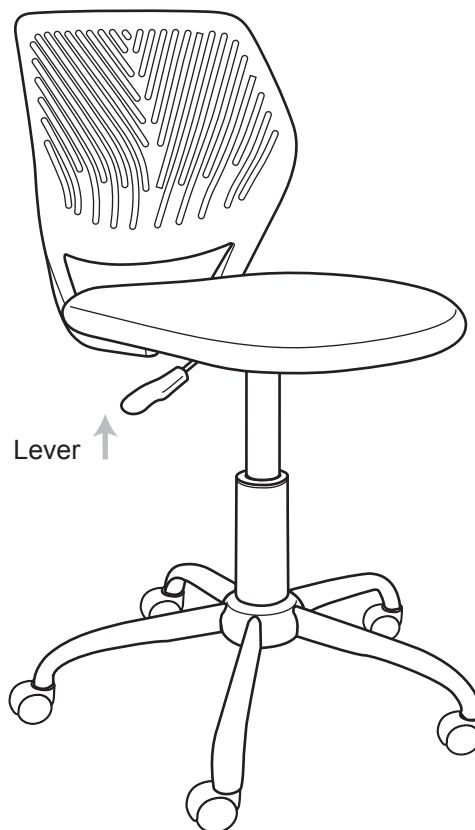


Step 6

Gaslift operation

To adjust the seat higher, lift up the lever under the seat and release at desired height.

To lower the seat, lift up the lever while seated on the stool.



Assembly is complete.

If you need help or have damaged or missing parts, call the **Customer Helpline:**
Argos = 0345 6400800