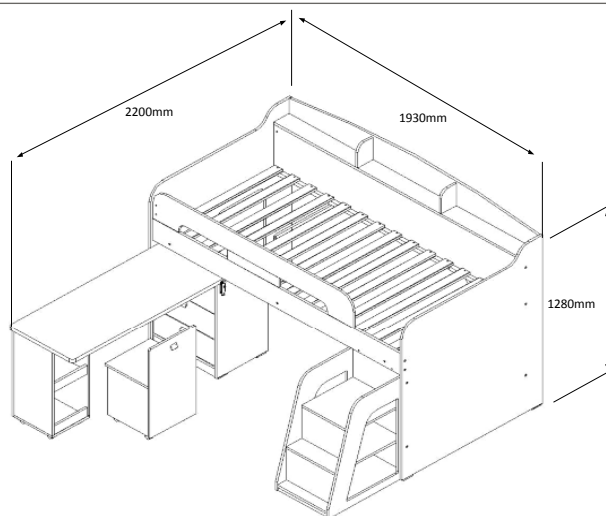


Ultimate Storage Midsleeper - 554/8062 505/9922

Thank you for purchasing this product. Before starting assembly we suggest you spend a short time reading through this leaflet, then follow the simple step by step guide.

Two people are needed to assemble this product.



H(mm)	W(mm)	D(mm)
1280	1930	2220

TOP TIPS BEFORE YOU START !

IMPORTANT- READ CAREFULLY- RETAIN FOR FUTURE REFERENCE

1. Please check that all parts & hardware are present before you start the assembly of your furniture.
2. For ease and speed of assembly, we recommend that before you commence each step of the assembly, Please identify all the parts required for that step.
3. We recommend that where possible, all items are assembled near to the area in which they will be placed in use, to Avoid moving the product unnecessarily once assembled.
4. For the protection of your furniture, particularly items of high gloss finish, we recommend that the product is placed on a Protected surface during assembly to prevent any damage.
6. During assembly please take care not to over-tighten any fittings, as this may damage the product.

CARE AND MAINTENANCE OF YOUR FURNITURE

- Please periodically check all fittings and re-tighten as necessary.
- To clean your item, please use a damp cloth and wipe clean.
- Never allow any kind of liquid to remain on your furniture. Absorption can cause wood to warp or finishes to de-laminate.
- Please do not place hot items (e.g hot drinks) directly on the wood surface.
- Please do not drag or pull your furniture.

IMPORTANT INFORMATION

1. Thickness of mattress should not exceed 150mm.
2. Children should be discouraged from playing on top of this bunk bed.
3. The bunk bed should be checked periodically by the owner to ensure that the guardrail, ladder, and other components are maintained in the correct position and state of repair and that all connectors are tight.
4. A bunk bed is not to be placed near a ceiling fan unless the distance between the closest points on the ceiling fan bunk Bed is at least 2 metres.
5. Use guardrails on both sides of upper bunk.
6. Prohibit horseplay on or under bed(s).
7. Prohibit more than one person on upper bunk.
8. Use Ladder for entering and leaving upper bunk.
9. If the bunk bed will be placed next to the wall, the guardrail that runs the full length of the bed should be placed against The wall to prevent entrapment between the bed and the wall.
10. **WARNING** Do not use the bunk bed/high bed if any parts are broken or missing.
11. Ventilation of the room is necessary in order to keep the humidity low; this will prevent mould in and around the bed.
12. Do not attempt to change the designated position of the ladder

STRANGULATION HAZARD:

13. Never attach or hang items to any part of the bunk bed that are not designed for use with the bed for example, but not limited to hook, belt and jump ropes.

Page : 1 of 16

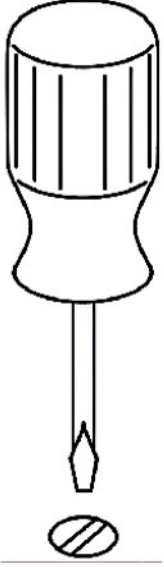
Important – Please read these instructions fully before starting assembly

If you need help or have damaged or missing parts, call the Customer Helpline: 0345 640 0800

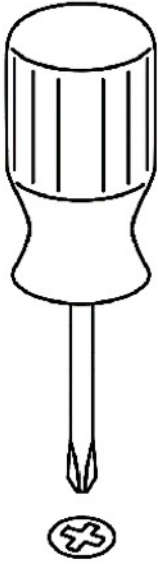
Ultimate Storage Midsleeper

Tools Required For Assembly

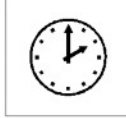
FlatHead Screwdriver



Phillips Screwdriver



DO NOT USE POWER TOOLS TO ASSEMBLE THIS PRODUCT. USE OF POWER TOOLS WILL INVALIDATE ANY CLAIM AND MAY DAMAGE THIS PRODUCT MAKING IT UNSAFE.

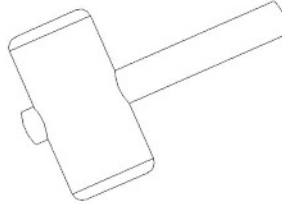


Approximately 4 hours

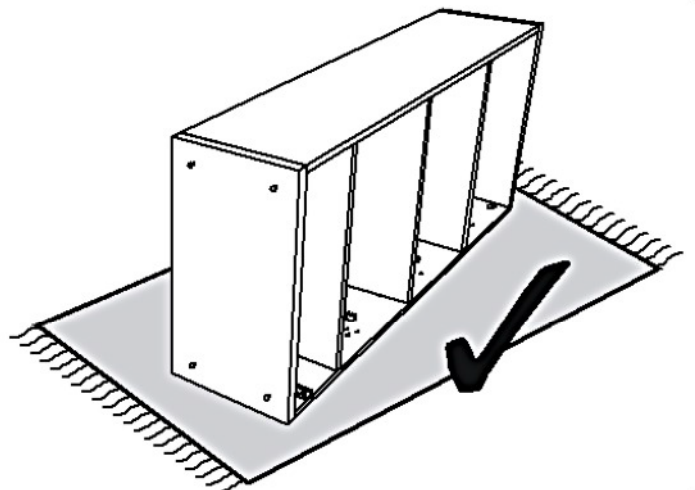
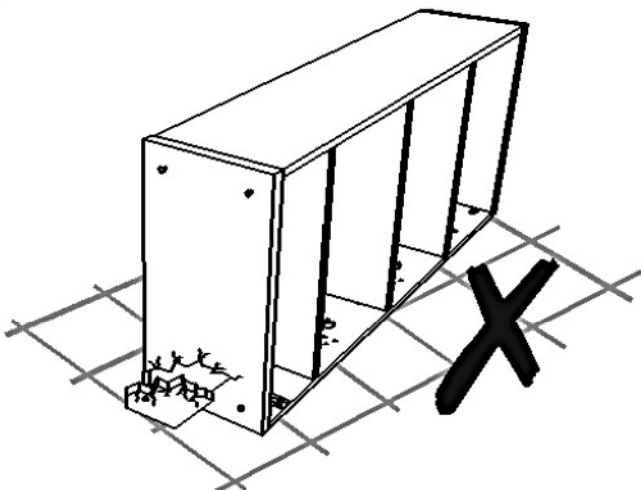
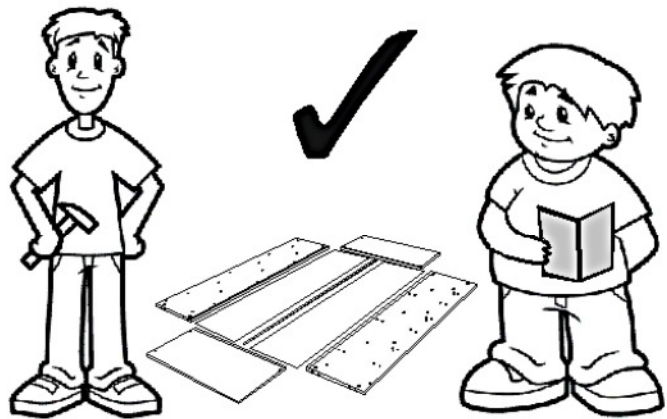
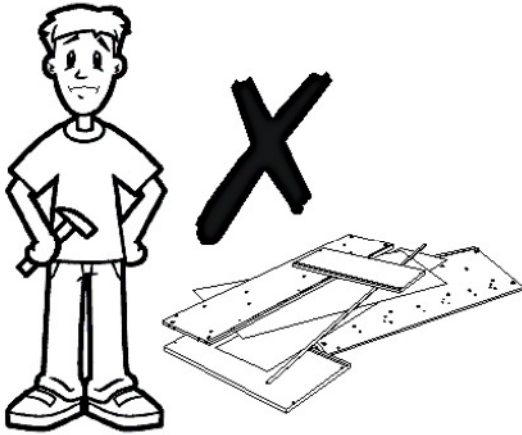
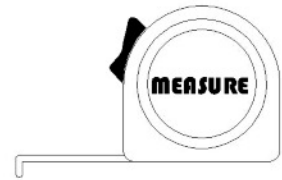


2 People Required

Rubber Hammer



Measure



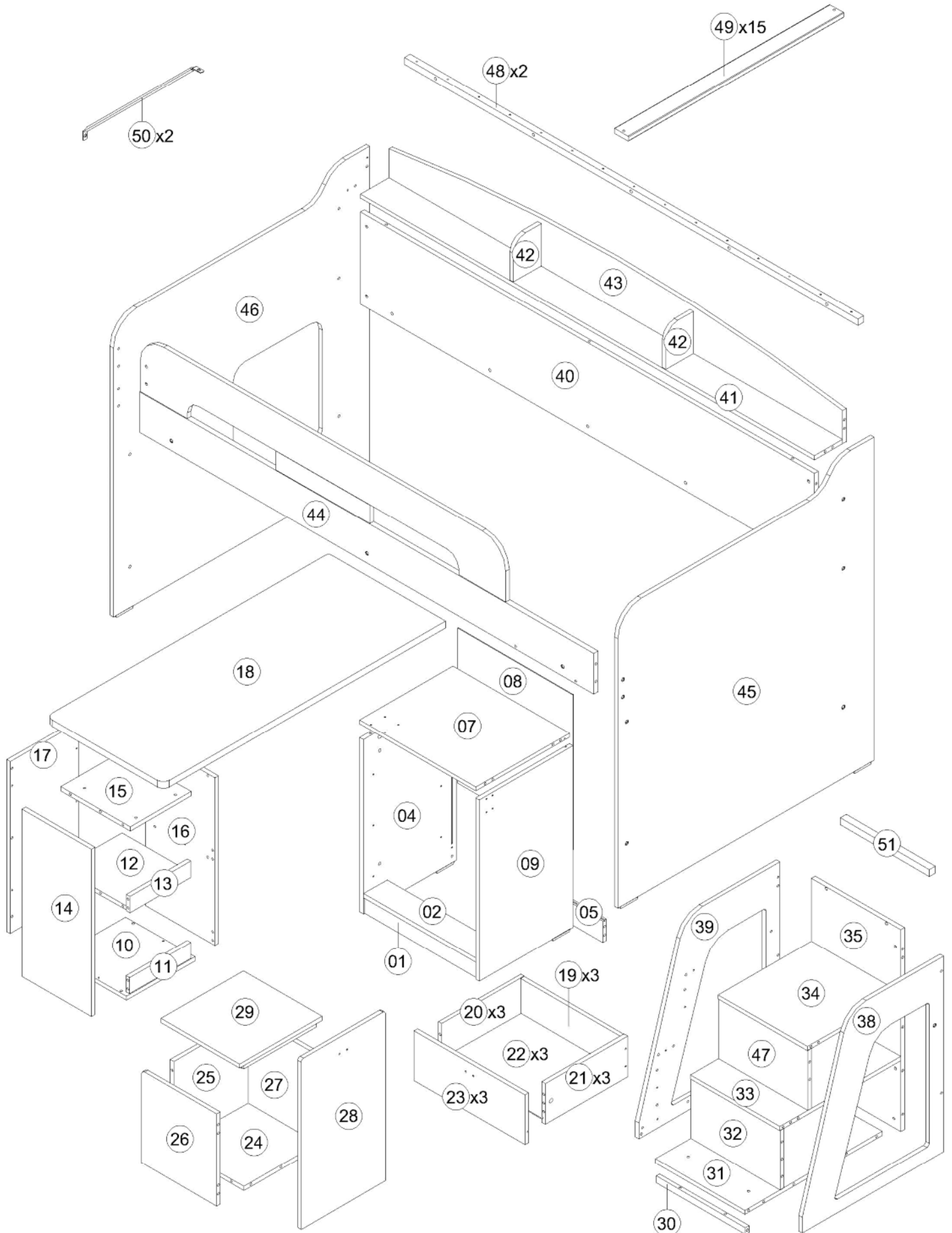
Parts List

If you have damaged or missing components,
call the Customer Helpline: 0345 640 0800

Carton 1 of 3			Carton 3 of 3		
No.	Part Name	Pcs	No.	Part Name	Pcs
08	Back Panel (Cabinet)	1	01	Plinth Panel (Cabinet)	1
18	Top Panel (Desk)	1	02	Bottom Panel (Cabinet)	1
30	Plinth Panel (Ladder)	1	05	Back Support (Cabinet)	1
31	Bottom Panel (Ladder)	1	10	Bottom Panel (Desk)	1
32	Center Support Panel (Ladder)	1	11	Plinth Panel (Desk)	1
33	1st Ladder Step	1	12	Center Panel (Desk)	1
34	2nd Ladder Step	1	13	Plinth Panel (Desk)	1
35	Back Panel (Ladder)	1	14	Left Panel (Desk)	1
38	Right Panel (Ladder)	1	15	Top Panel (Desk)	1
39	Left Panel (Ladder)	1	16	Right Panel (Desk)	1
45	Right End Panel	1	17	Back Panel (Desk)	1
46	Left End Panel	1	19	Back Panel (Drawer)	3
47	Center Support Panel (Ladder)	1	20	Left Panel (Drawer)	3
			21	Right Panel (Drawer)	3
			22	Bottom Panel (Drawer)	3
Carton 2 of 3			23	Front Panel (Drawer)	3
04	Left Panel (Cabinet)	1	24	Bottom Panel (Chair)	1
07	Top Panel (Cabinet)	1	25	Back Panel (Chair)	1
09	Right Panel (Cabinet)	1	26	Left Panel (Chair)	1
40	Side Panel (Back)	1	27	Right Panel (Chair)	1
41	Bottom Panel (Shelf)	1	28	Front Panel (Chair)	1
42	Support Panel (Shelf)	2	29	Top Panel (Chair)	1
43	Back Panel (Shelf)	1	49	LVL Base	15
44	Side Panel (Front)	1	Assembly Instructions + Fitting List		
48	Side Rail	2			
50	Brace	2			
51	Ladder Support Rail	1			

Parts List

If you have damaged or missing components,
call the Customer Helpline: 0345 640 0800



Carton 3 of 3 Fitting List

No.	Part Name		Pcs
A	Cam Stud (small)		51
B	Cam		51
C	M8 x 25mm Wood Dowel		127
D	45mm Chipboard Screw		14
E	38mm Chipboard Screw		12
F	16mm Chipboard Screw		98
G	14" Drawer Slide (SJ)		3 set
H	30mm Plate PP Caster		8
J	2013-32 PVC Handle		5
K	20mm Handle Screw		10
M	PVC Door Latch with Pin		1
N	M6 x 13mm Baller		4
P	M6 Round Nut		8
Q	M6 x 50mm Allen Bolt		10
R	M6 x 40mm Allen Bolt		2
S	M6 x 35mm Allen Bolt		8
T	M6 x 30mm Allen Bolt		32
U	M6 x 25mm Allen Bolt		6
V	M6 x 12mm Allen Bolt		16
W	M6 JCN Nut		13
X	162 Plate		1
Y	Metal Plate		3
Z	M6 Allen Wrench		2
Z1	Sticker (Extra 2 pcs)		28
Z2	M6 x 20mm Allen Bolt		4
Z3	M6 x 60mm Allen Bolt		2

Caution

There are many small components used in the construction of this unit. These loose items should be kept away from young children whilst assembling your unit. As an extra precaution, screw cover caps should be permanently fixed in position. (Where applicable)

USEFUL HINTS & TIPS

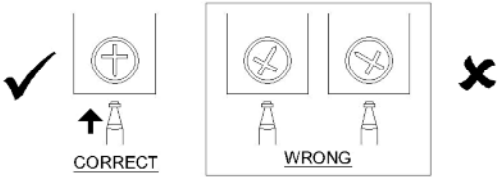
Two people will be required to assemble this unit

Please keep this assembly instruction for future reference

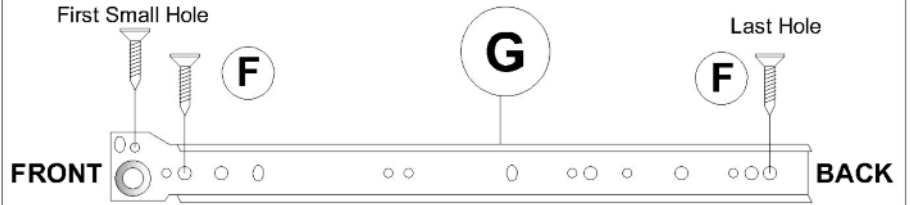
GUIDE TO ASSEMBLY

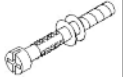

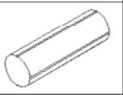


WHEN FITTING CAMS

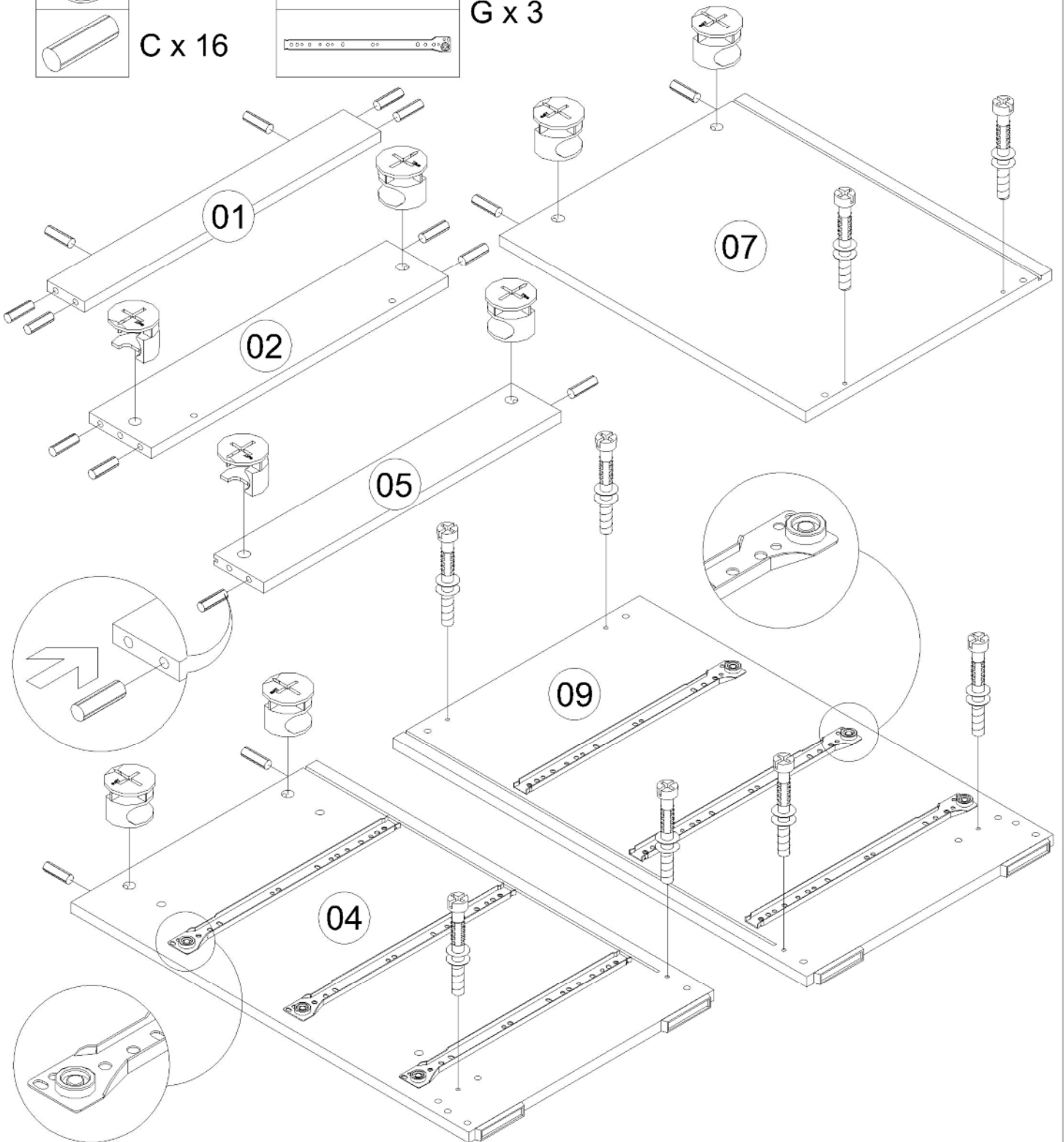
ENSURE STARTING POSITION IS CORRECT
BEFORE YOU INSERT CONNECTING BOLT
TURN CLOCKWISE UNTIL SECURE



To Assembly the Drawer Slide, Please Follow Step as Below

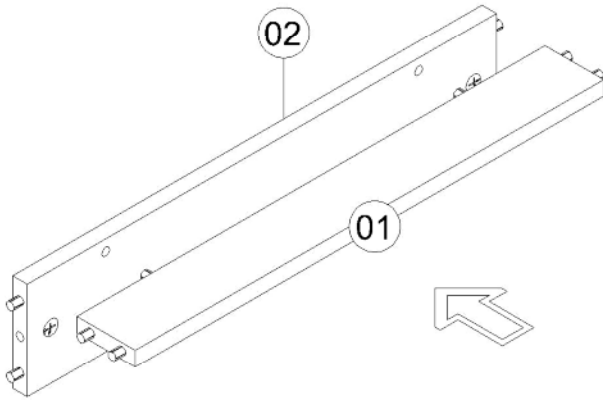


- 1
-  A x 8
 -  B x 8
 -  C x 16
 -  F x 18
 -  G x 3

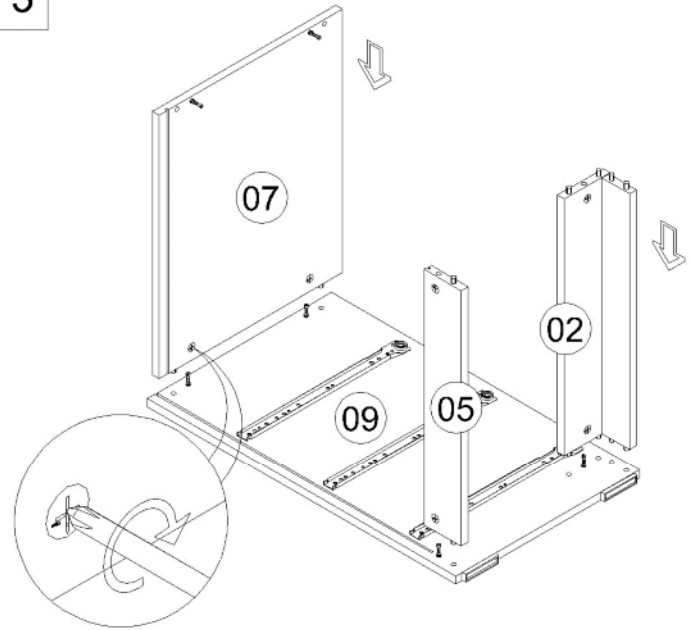


GUIDE TO ASSEMBLY

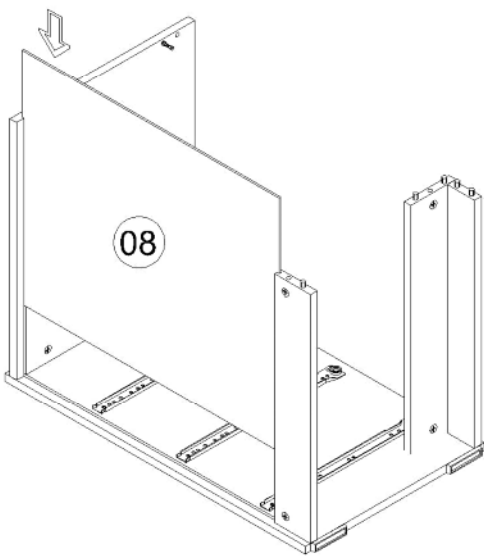
2



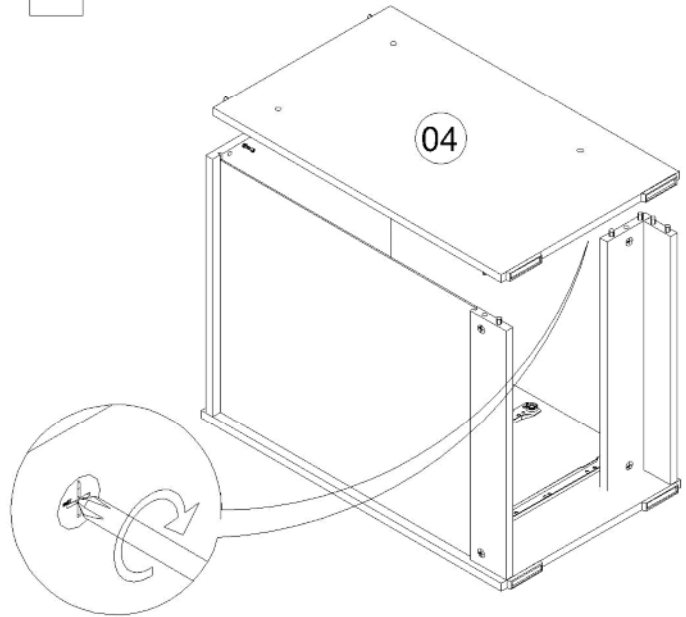
3



4



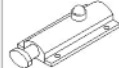
5



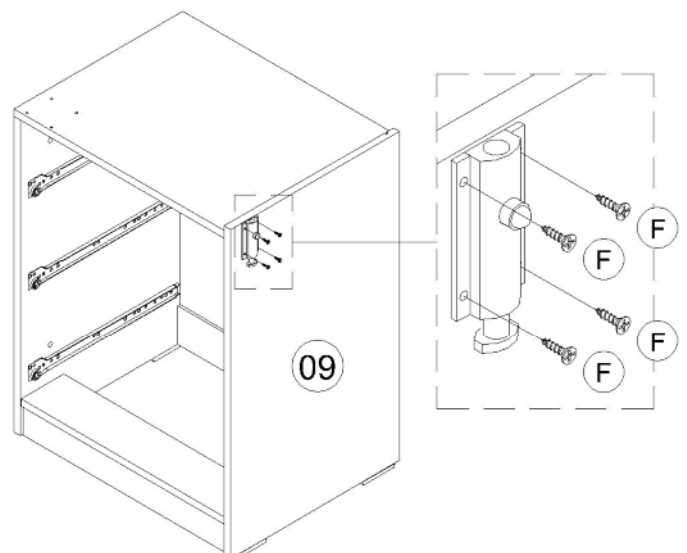
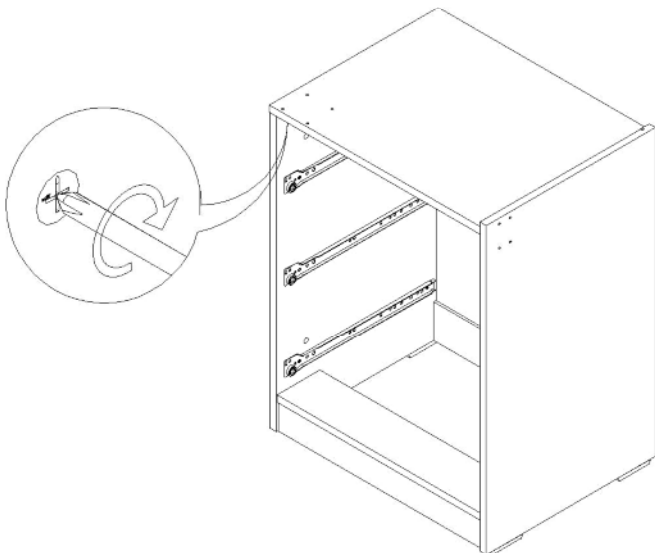
6



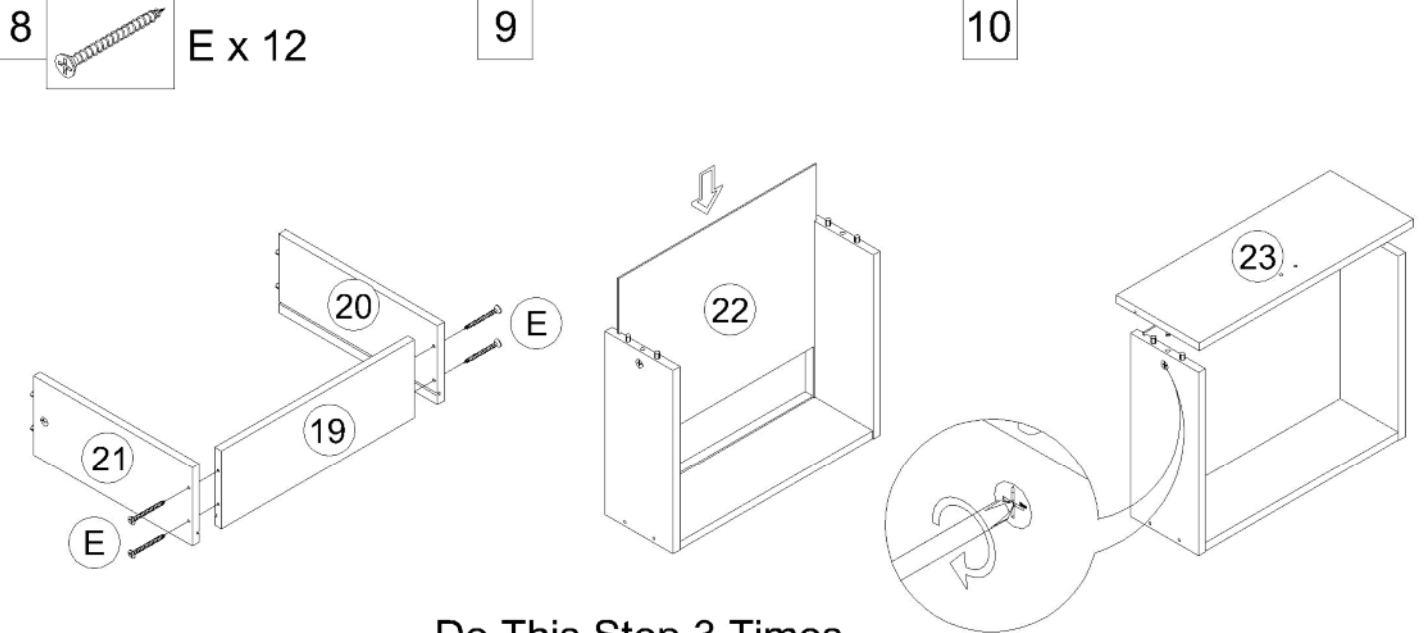
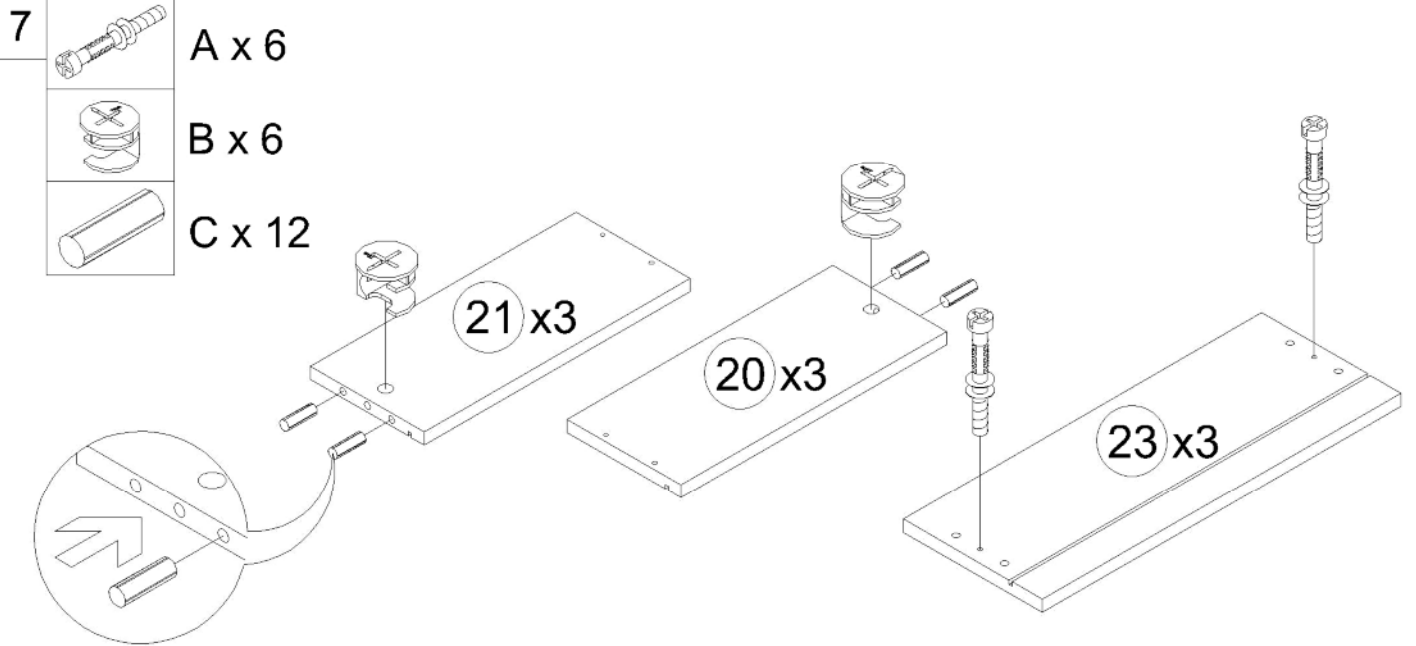
F x 4



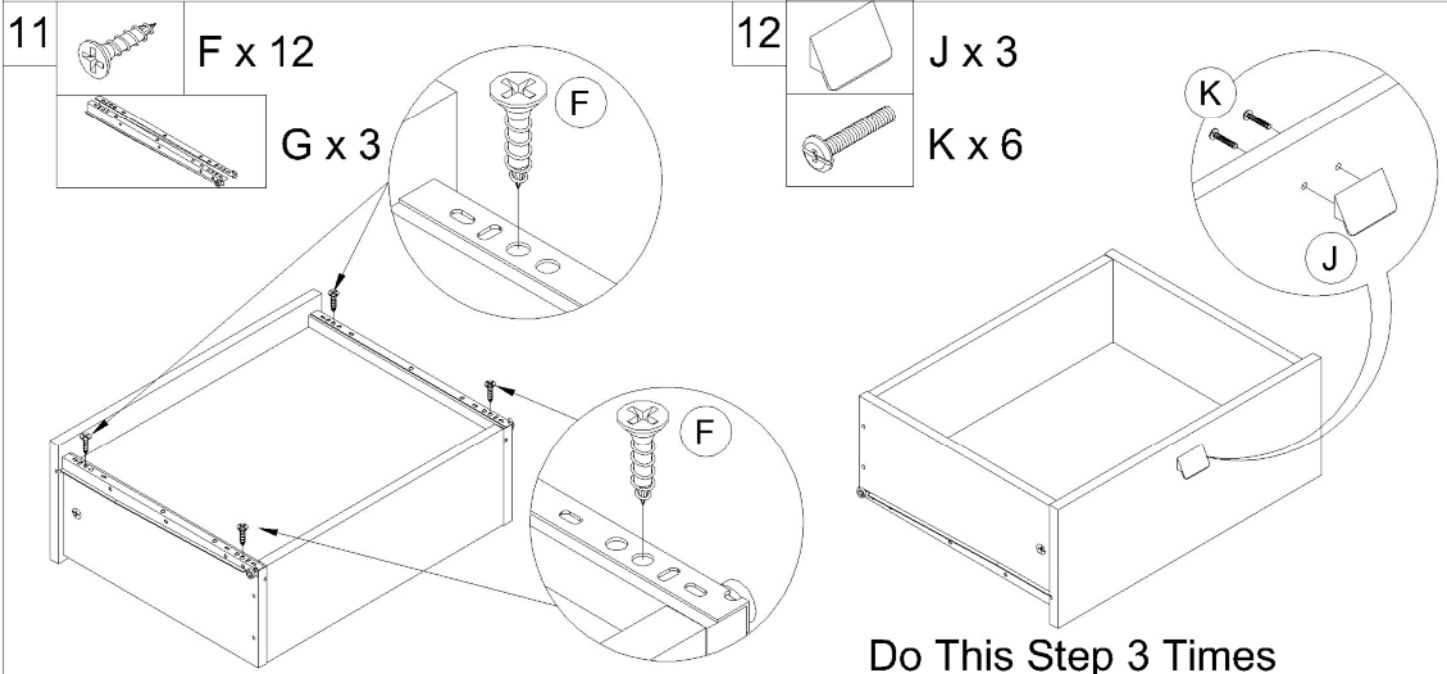
M x 1



GUIDE TO ASSEMBLY



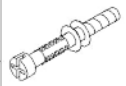
Do This Step 3 Times



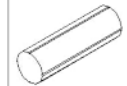
Do This Step 3 Times

GUIDE TO ASSEMBLY

13



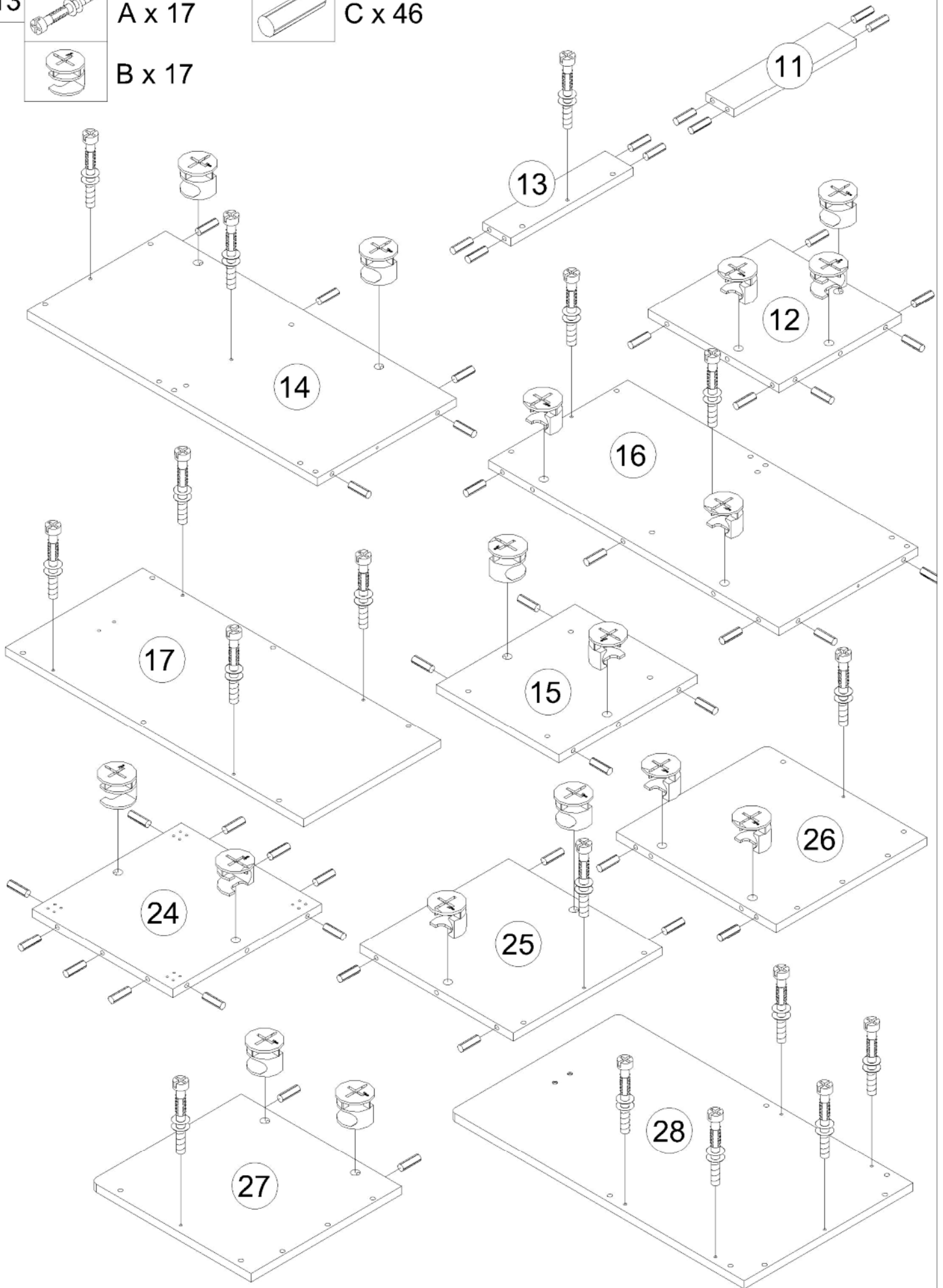
A x 17



C x 46

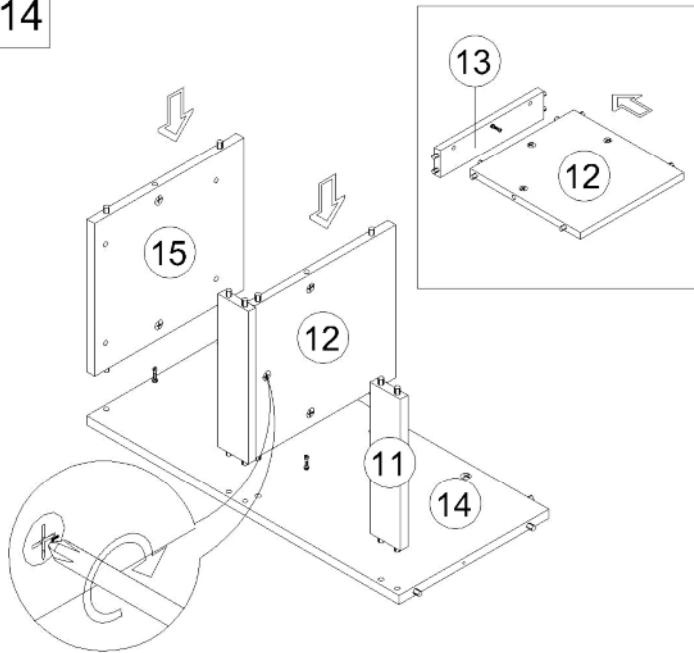


B x 17

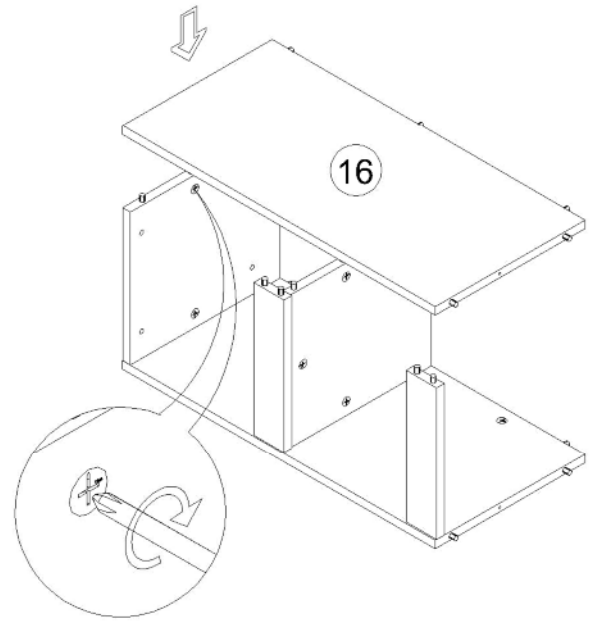


GUIDE TO ASSEMBLY

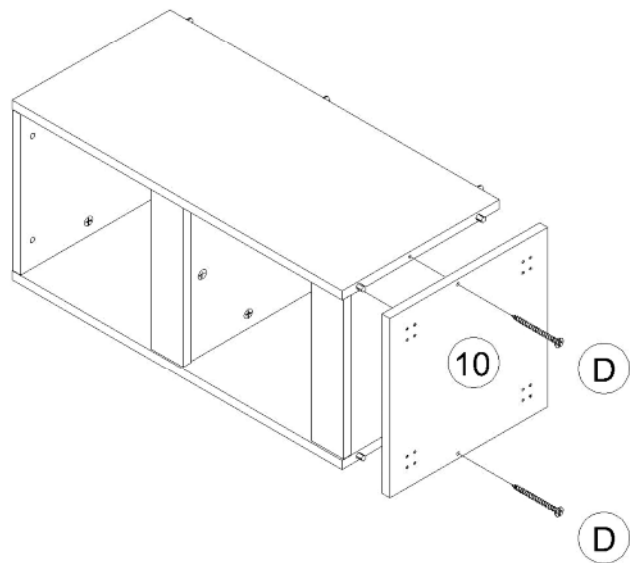
14



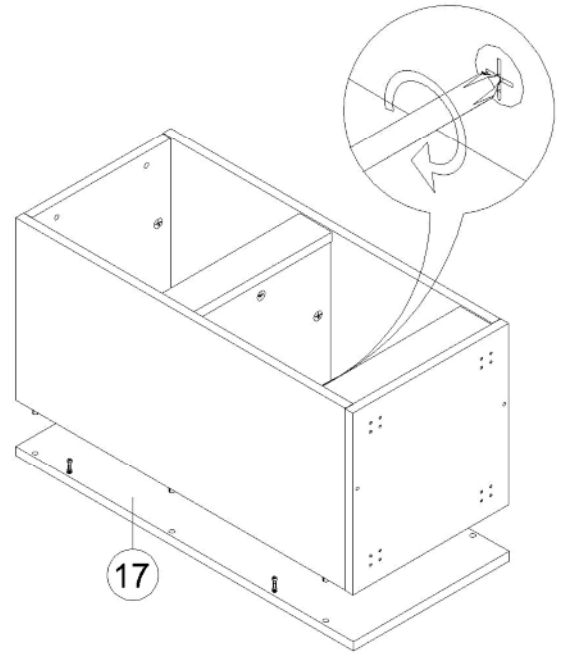
15



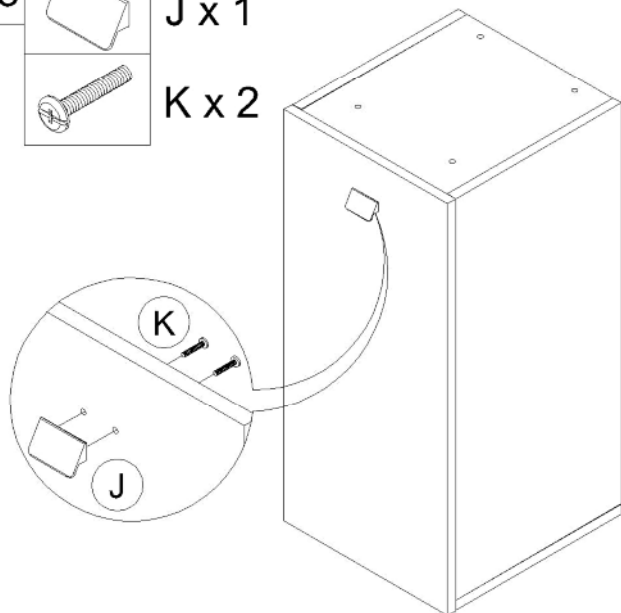
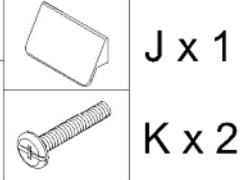
16



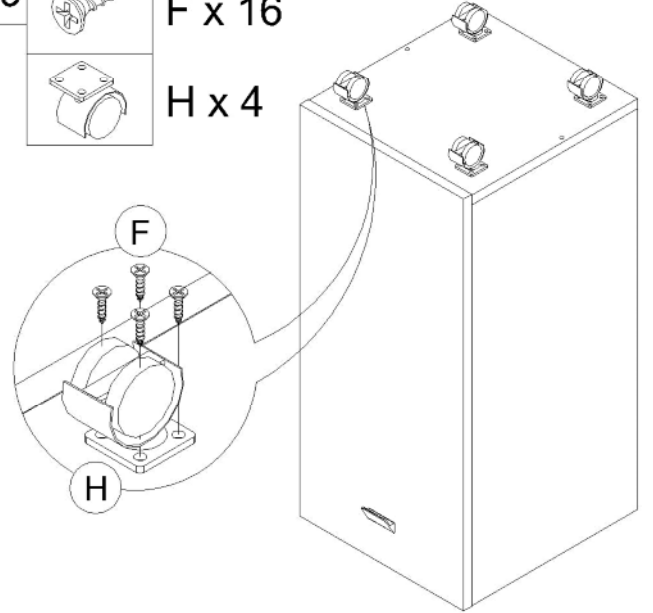
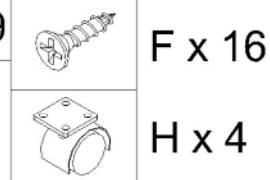
17



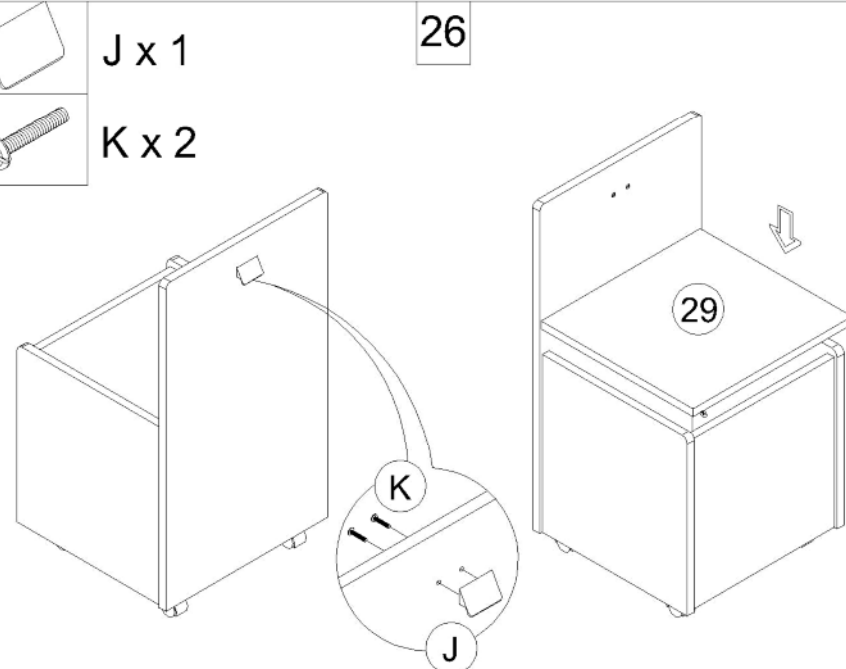
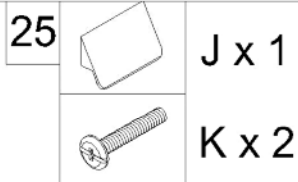
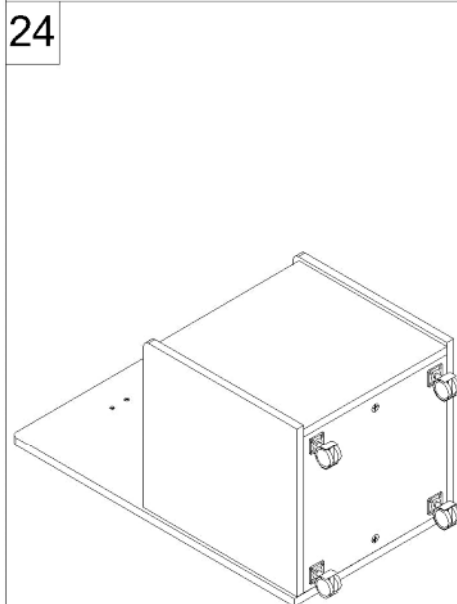
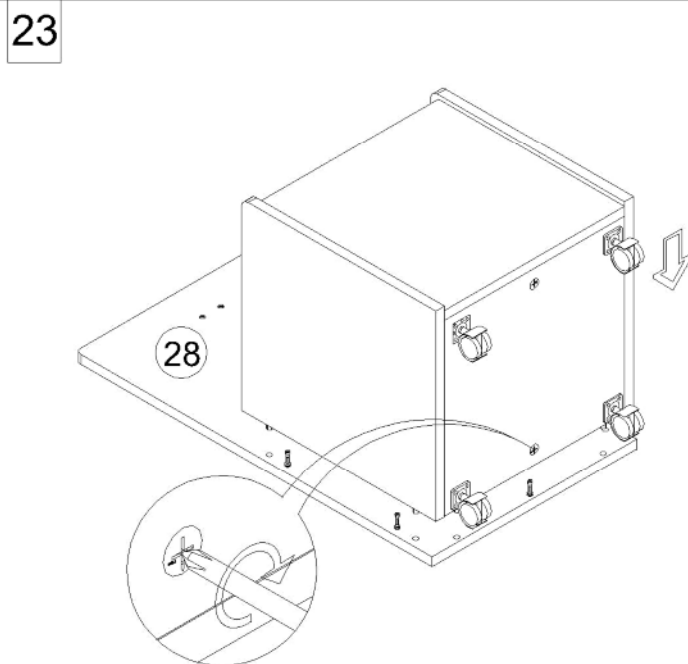
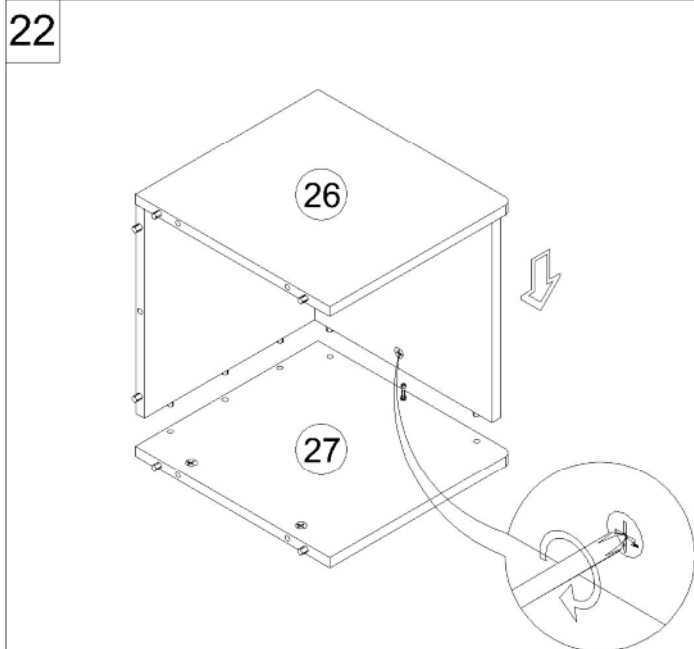
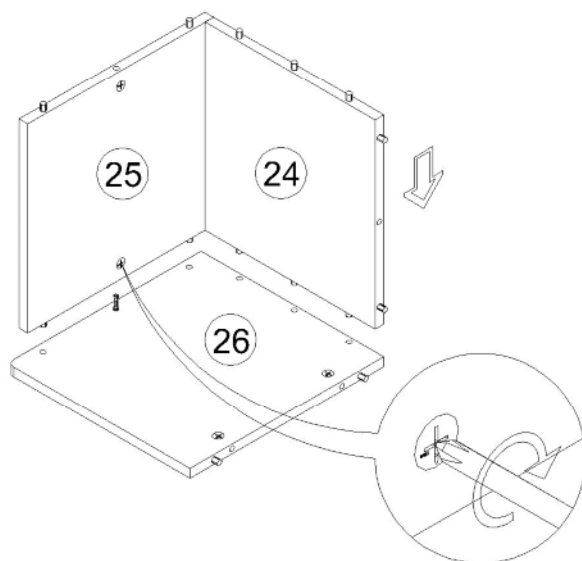
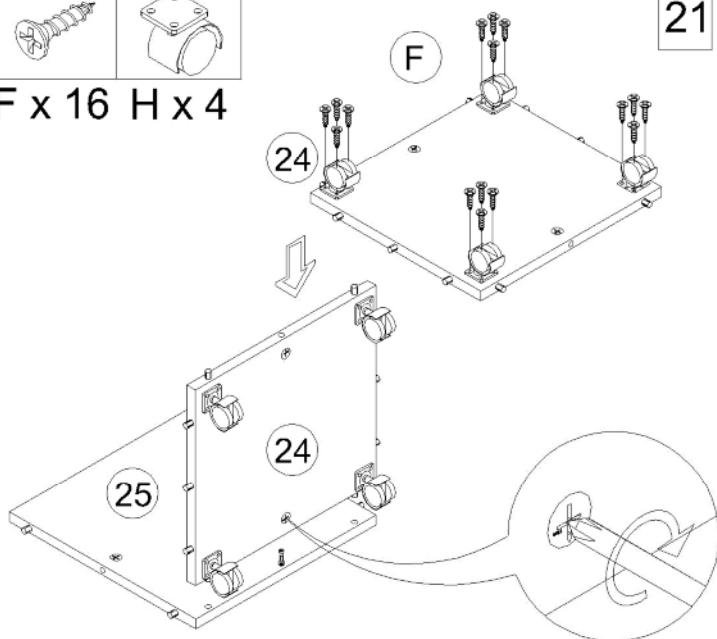
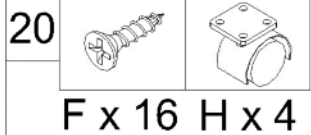
18



19

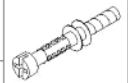


GUIDE TO ASSEMBLY



GUIDE TO ASSEMBLY

27



A x 16



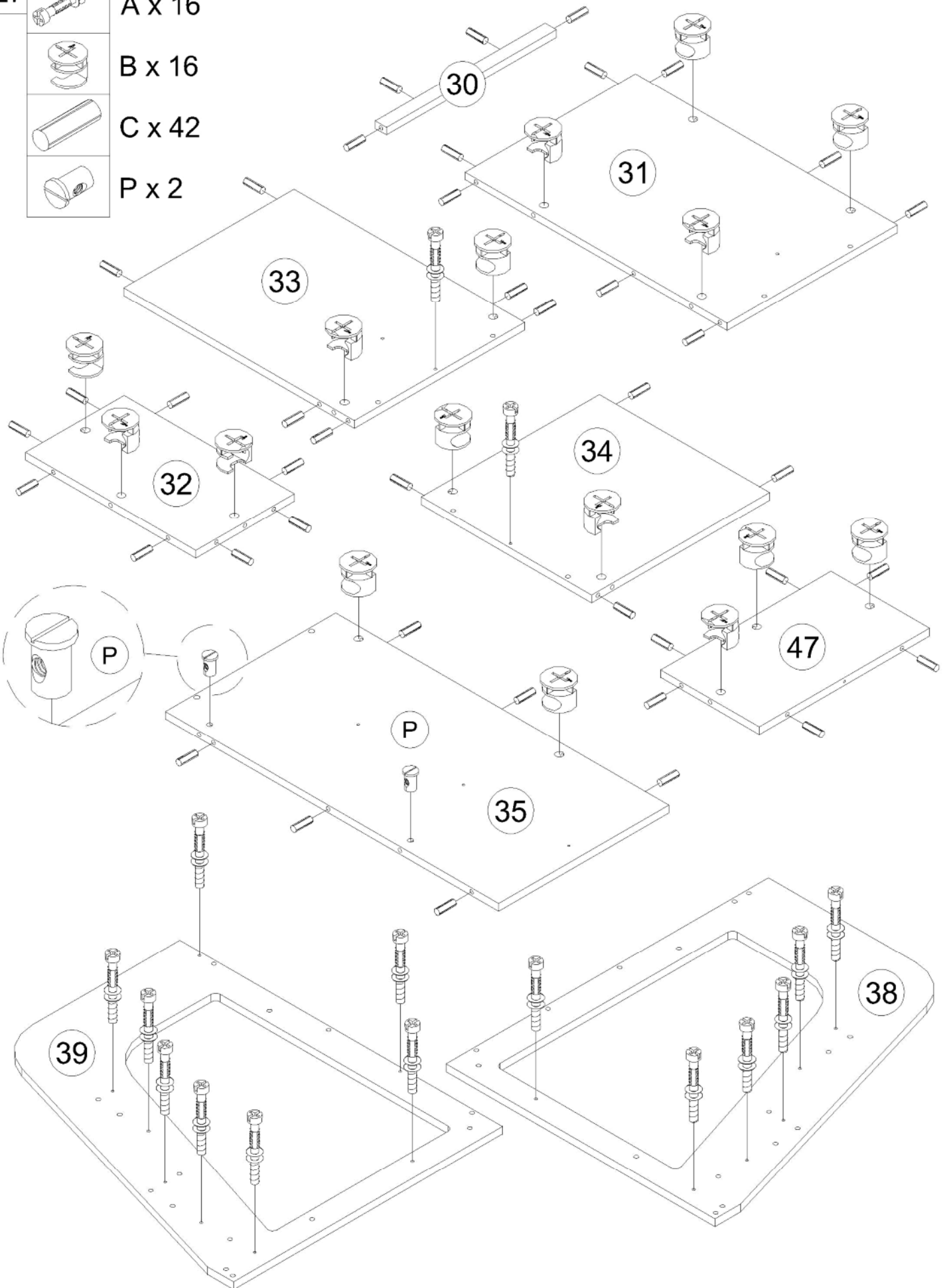
B x 16



C x 42

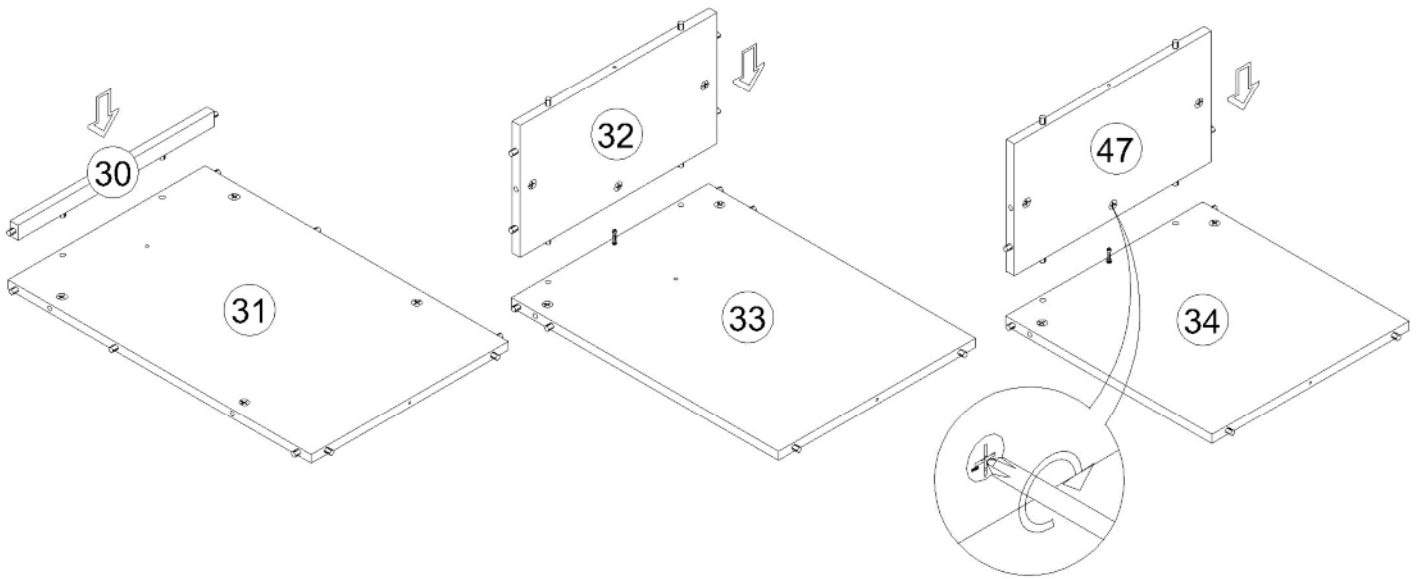


P x 2



GUIDE TO ASSEMBLY

28



29

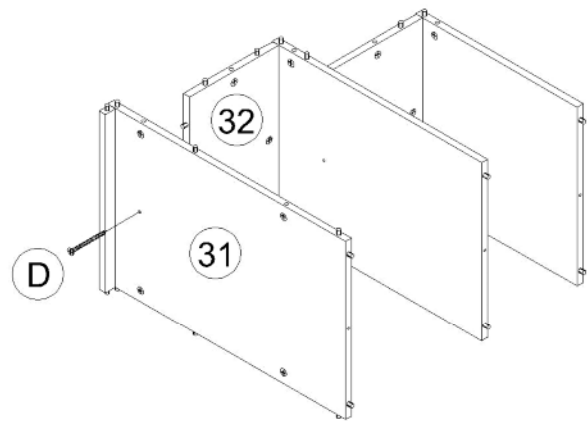
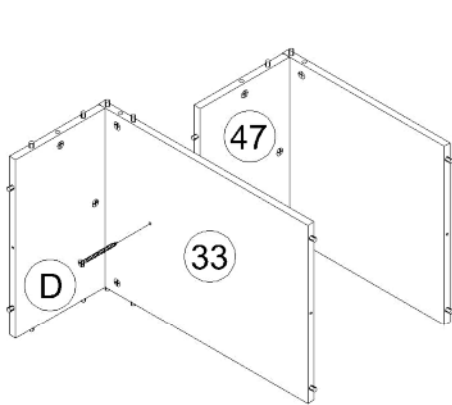


D x 1

30



D x 1

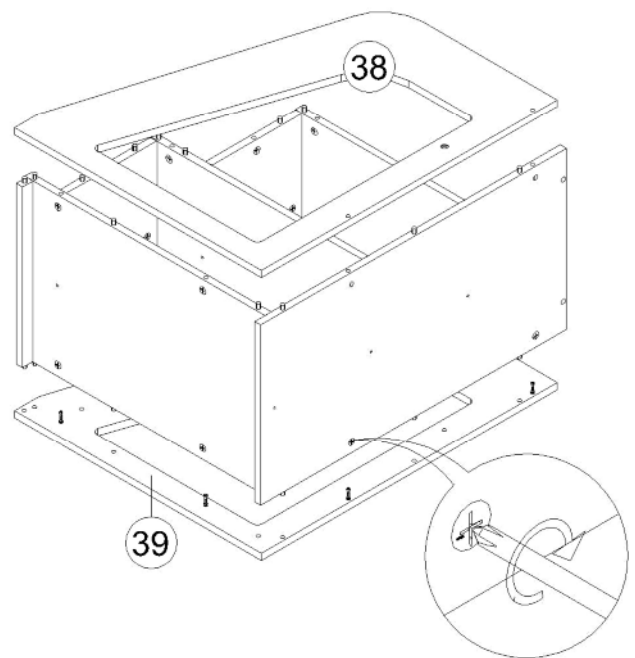
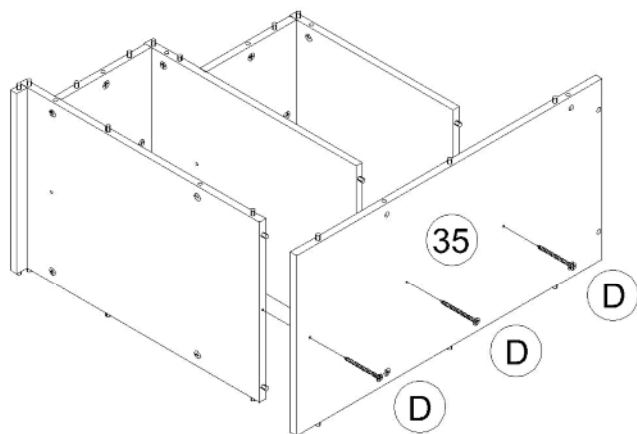


31



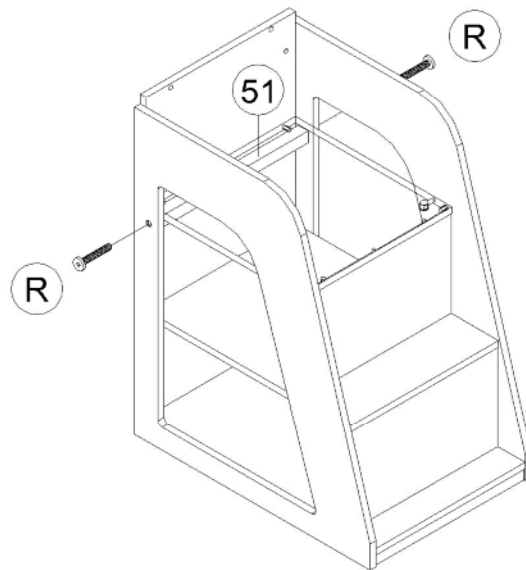
D x 3

32



GUIDE TO ASSEMBLY

33 R x 2

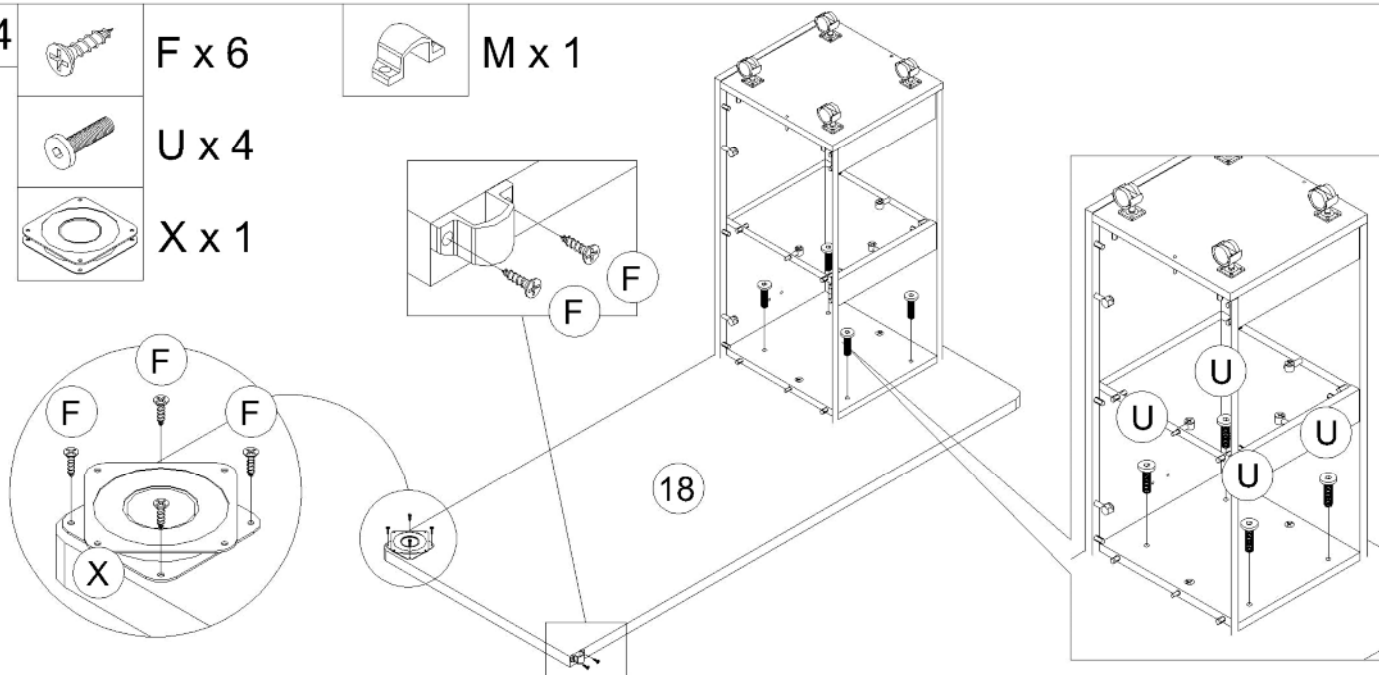


34 F x 6

M x 1

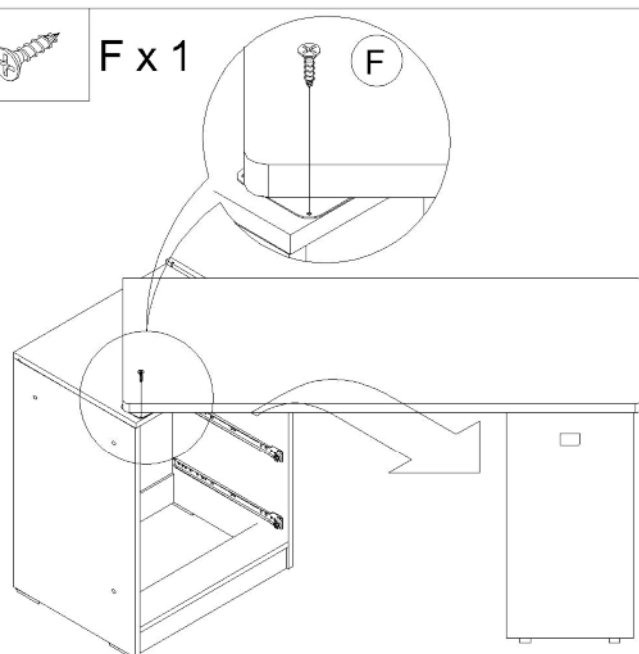
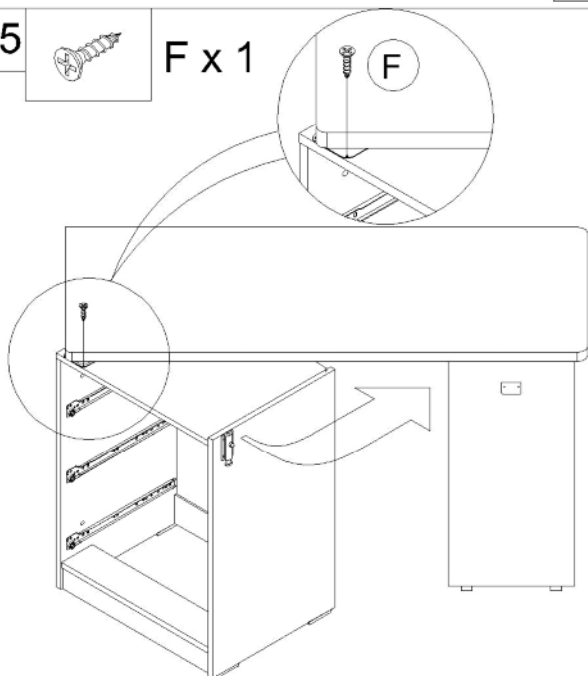
U x 4

X x 1



35 F x 1

F x 1

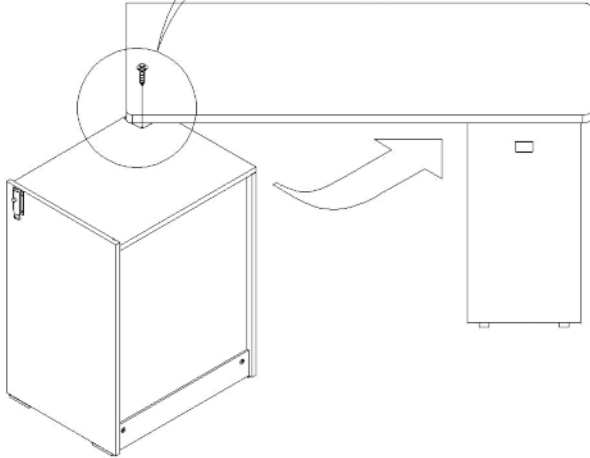
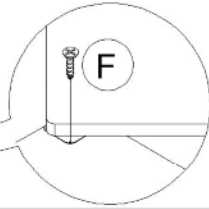


GUIDE TO ASSEMBLY

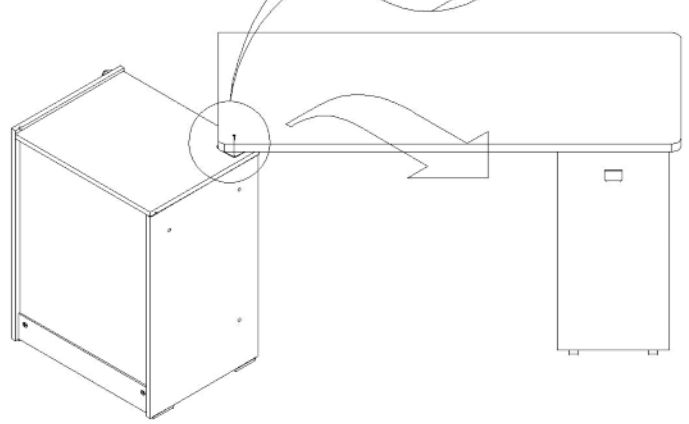
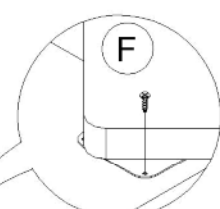
36



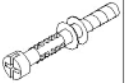
F x 1



F x 1



37



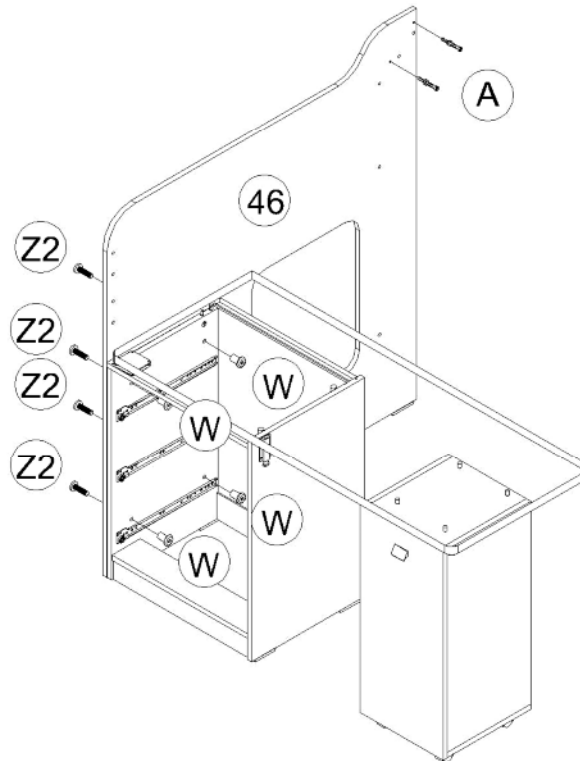
A x 2



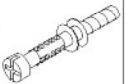
Z2 x 4



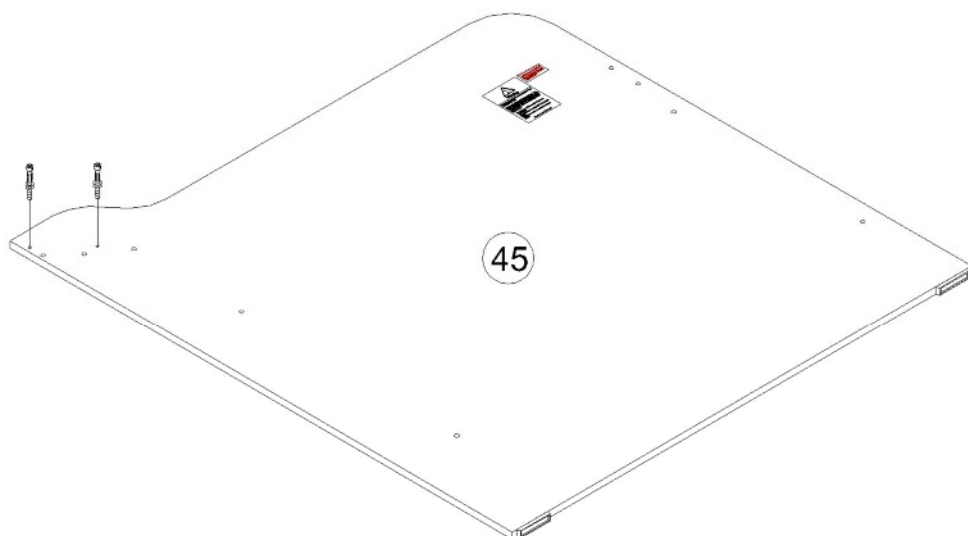
W x 4



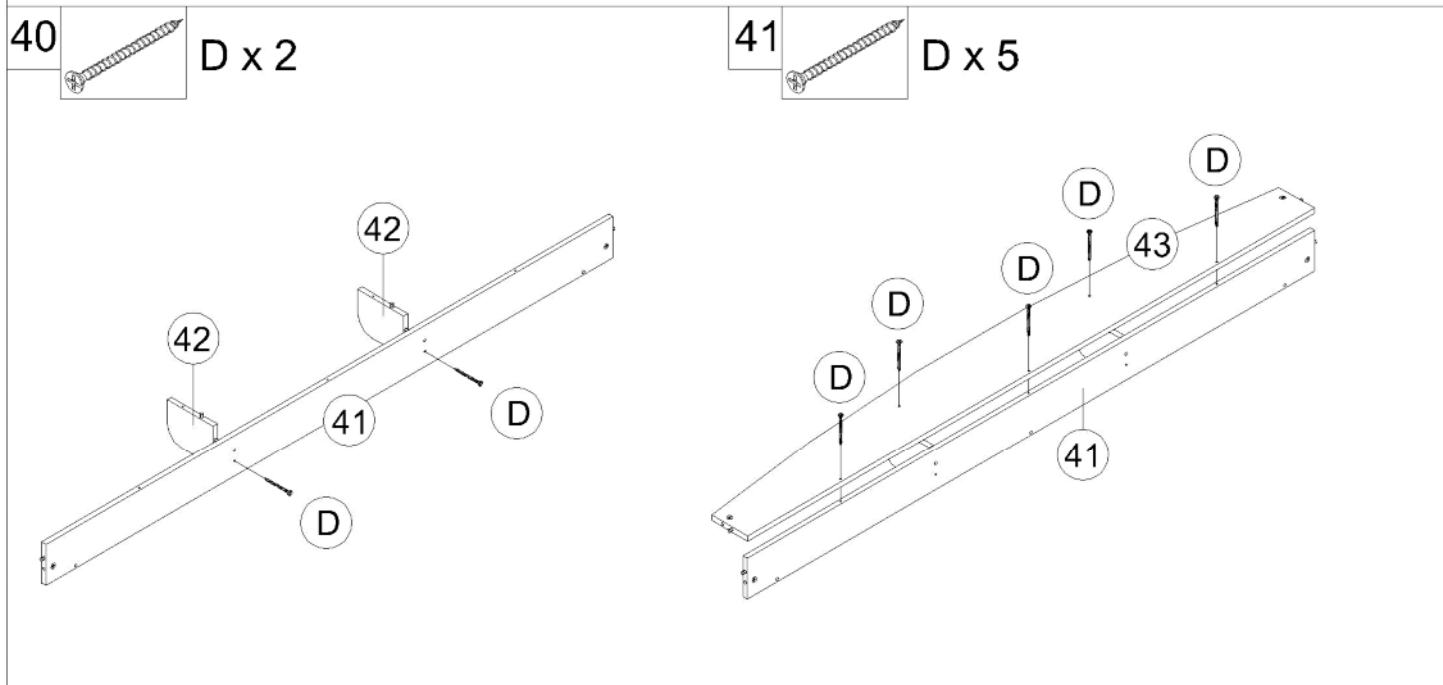
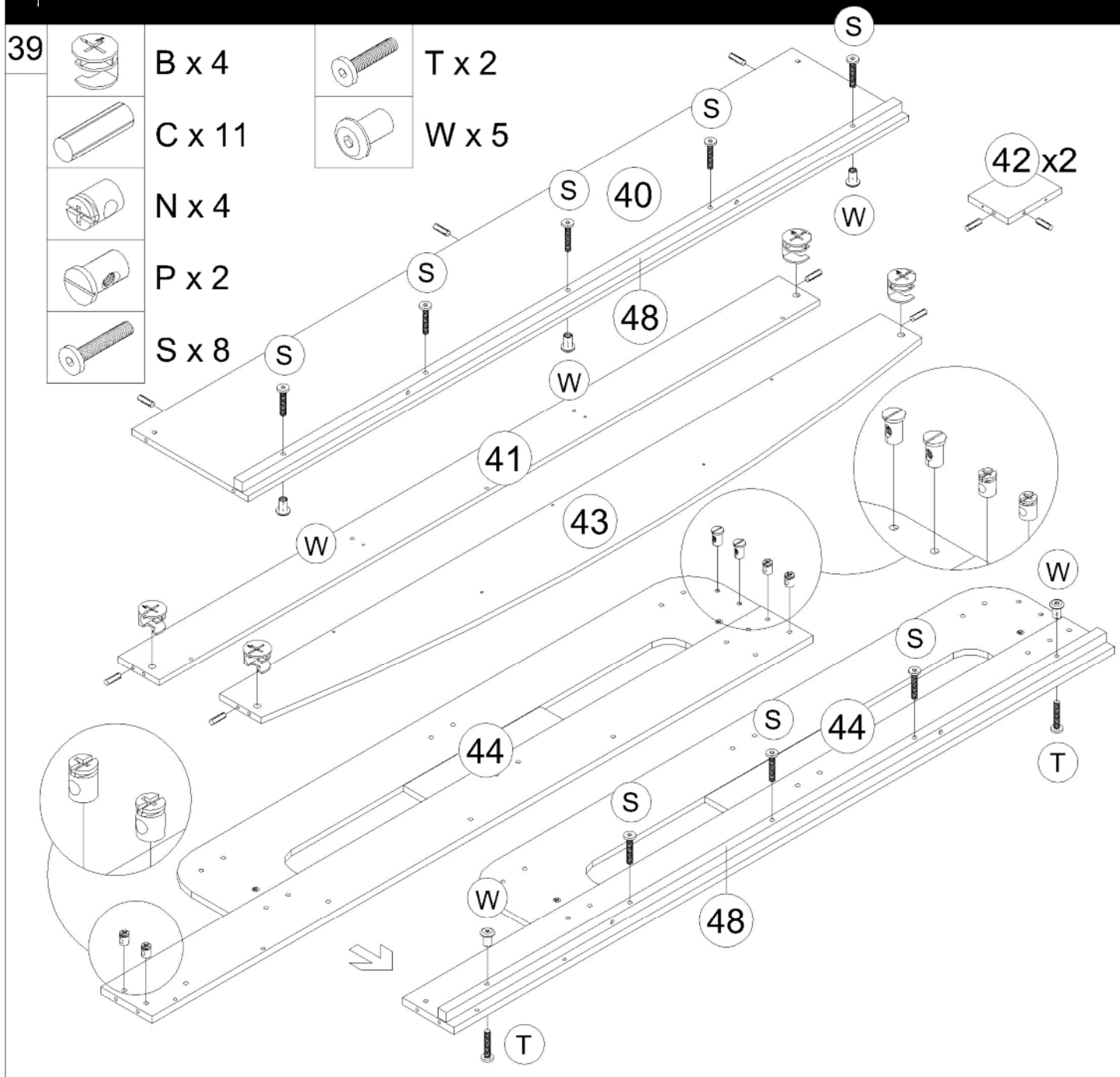
38



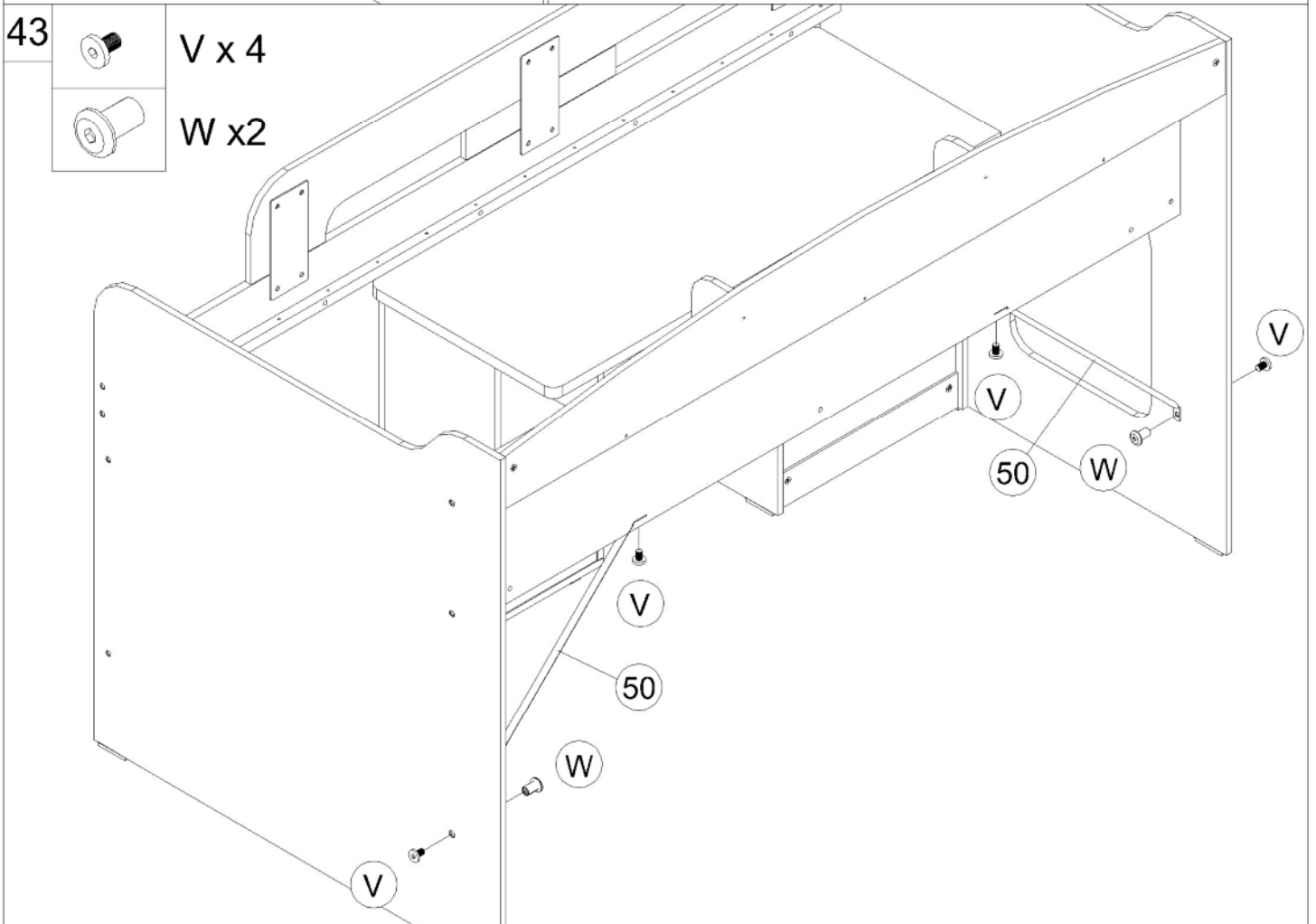
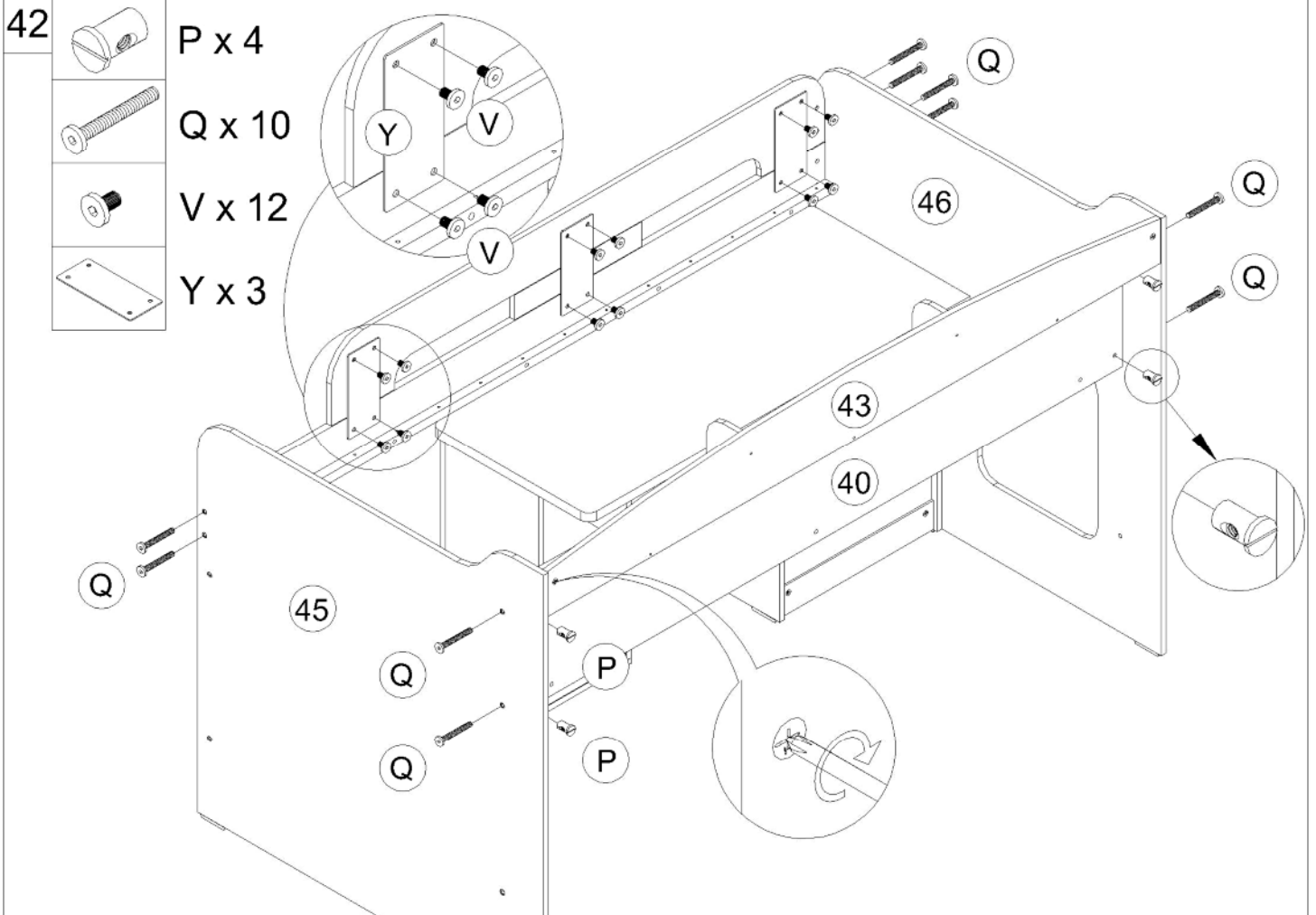
A x 2



GUIDE TO ASSEMBLY

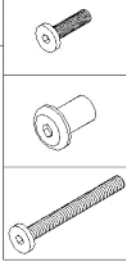


GUIDE TO ASSEMBLY



GUIDE TO ASSEMBLY

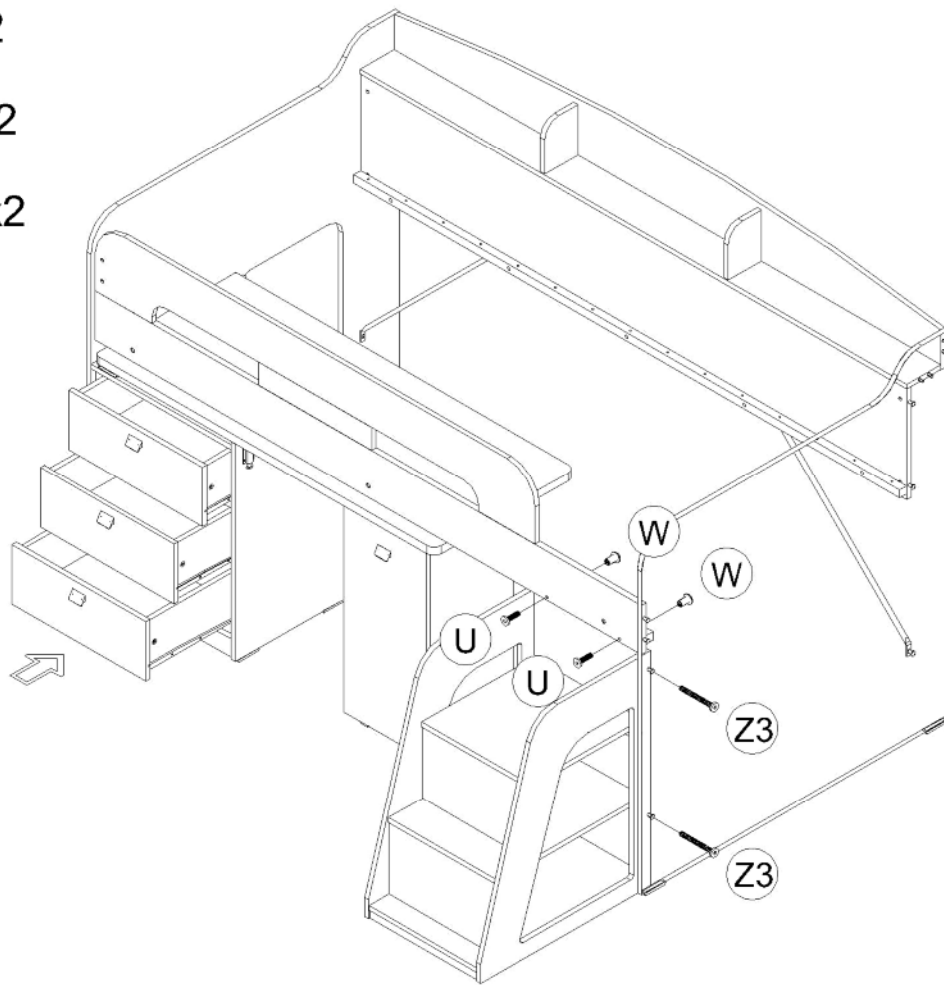
44



U x2

W x2

Z3 x2

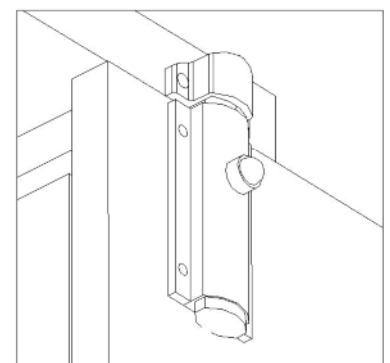
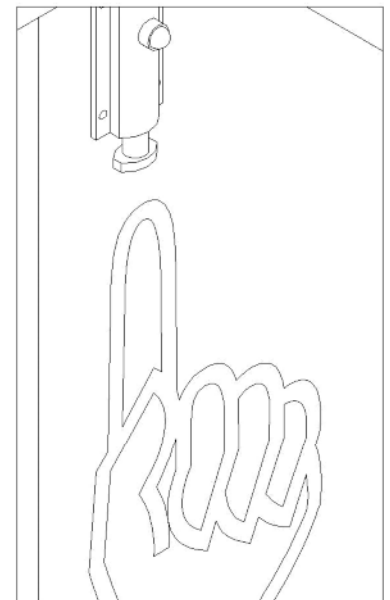
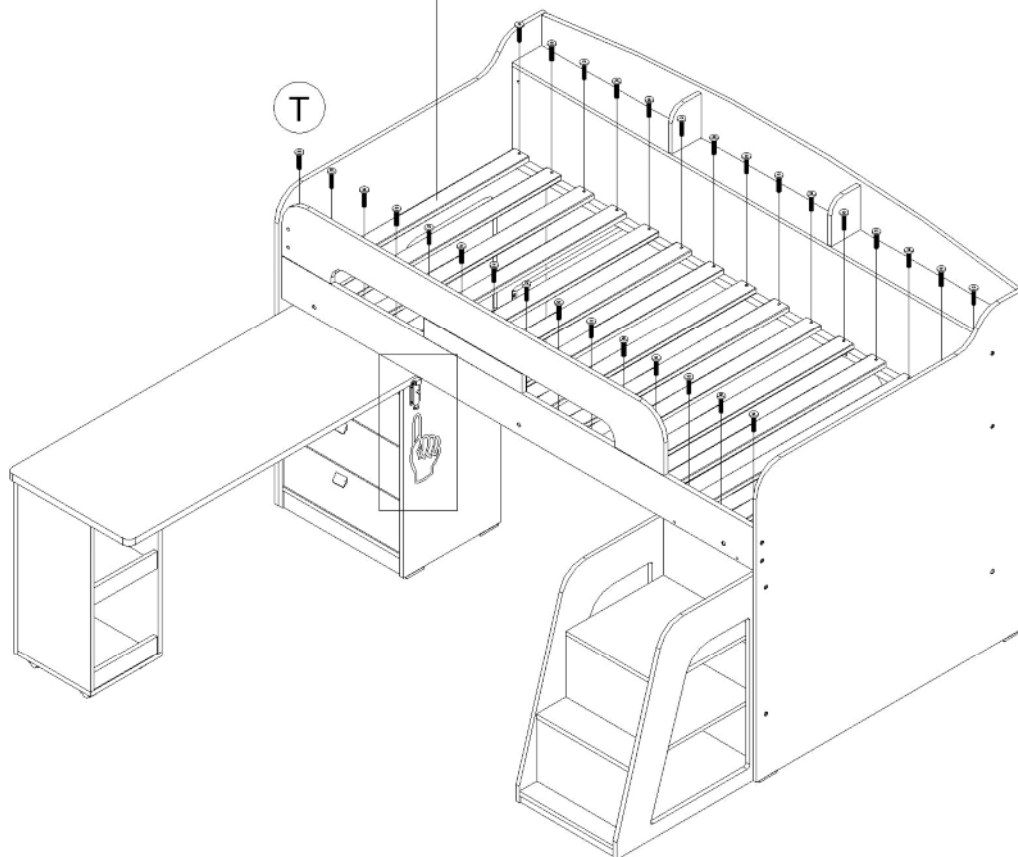


45



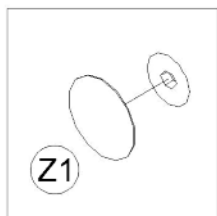
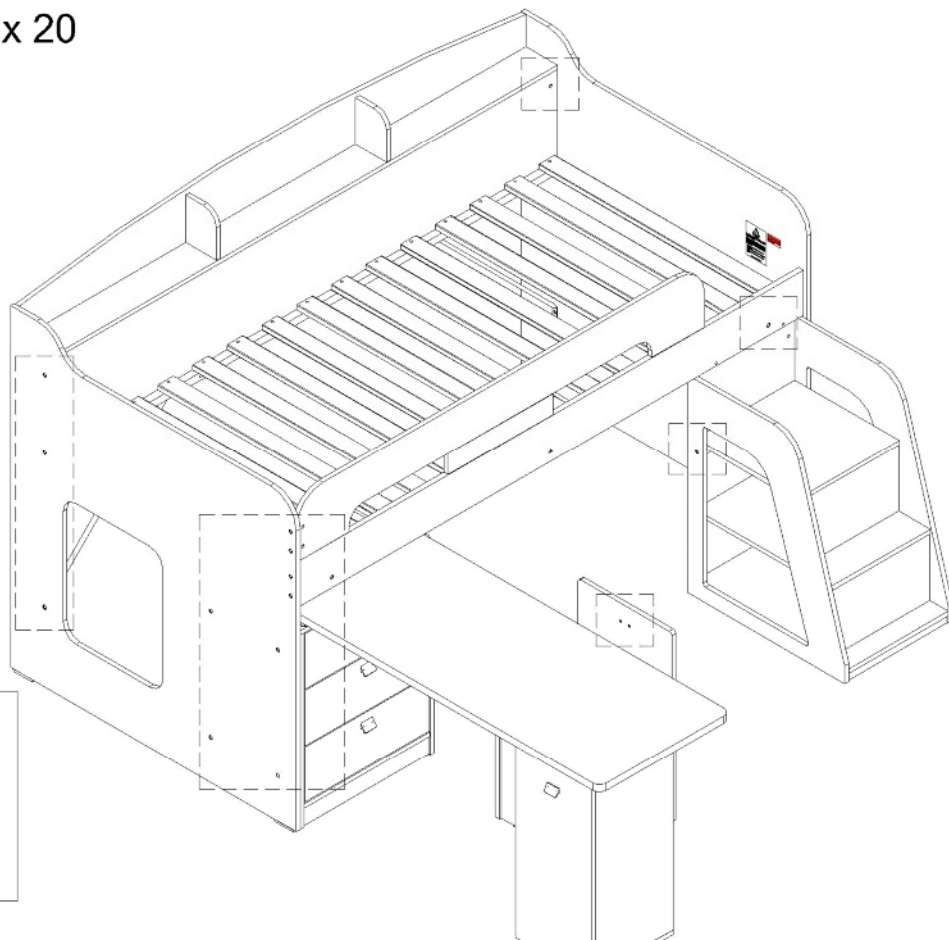
T x 30

49x15



GUIDE TO ASSEMBLY

46 Z1 x 20



47 Z1 x 8

