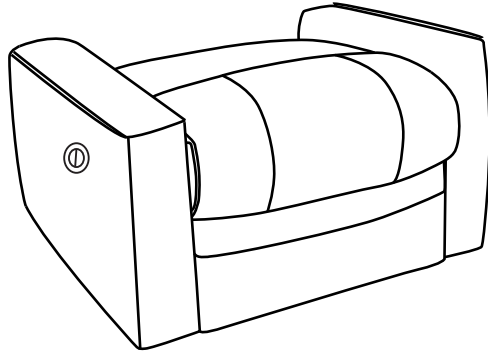


Components

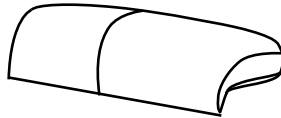
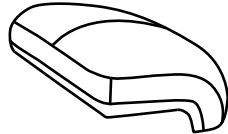
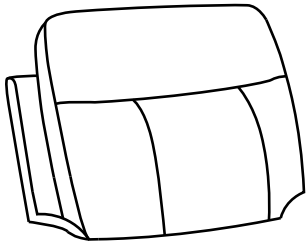
Ⓐ 1 x Seat Unit



Ⓑ 1 x Back Rest

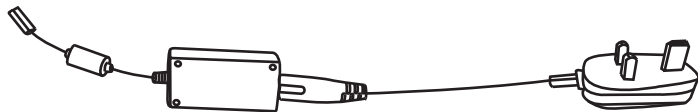
Ⓒ 1 x Left Arm Cushion

Ⓓ 1 x Right Arm Cushion



Fittings

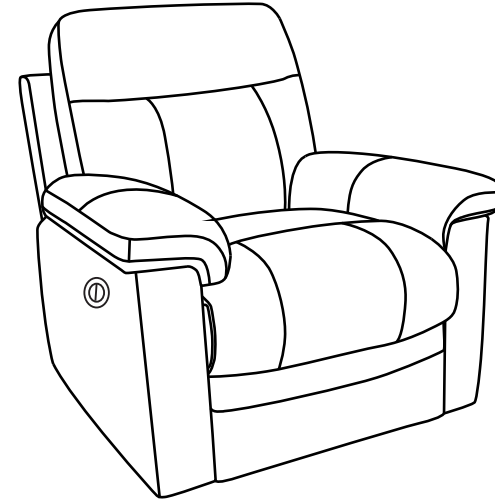
Ⓔ 1xMains Electricity Supply



TC NEW PAOLO CHAIR POWERED

Simple Assembly Instructions - Please keep for future reference

5481215 5569326
5494604 5555828



Important-Please read these instructions fully before starting assembly

If you need help or have damaged or missing parts, call the Customer Helpline: 0345 640 0800
0345 601 2895

1. Read these instructions carefully and familiarise yourself with the procedure before assembling the unit.
2. Check that you have all the component parts following the list on the back cover and familiarise yourself with each part before proceeding.
3. Take all the fittings out of the plastic bag and separate them into their groups.
4. Ensure you have enough space to lay out all the parts before assembly.
5. To avoid scratching it is recommended that you assemble the unit on a soft level surface.

Assembly Instructions

Stage 1 – Fitting the Unit

NOTE: It would be useful to ask someone to help you at this stage.

1. One armrest is tied the bottom of sofa, and the other is put behind of seat cushion
See fig.1.
2. Firstly attach the arm cushion. You can find the assembly steps in the last page.
3. Attach the Back Rest (B) to the Seat Unit (A). Engage the metal locks and push fit. You should hear them lock into position.
See fig. 2.
4. Fit the velcro cover which is on the back rests onto the velcro on the seat cushion.

NOTE: Carefully line up the two side metal locks. Ensure they align correctly.

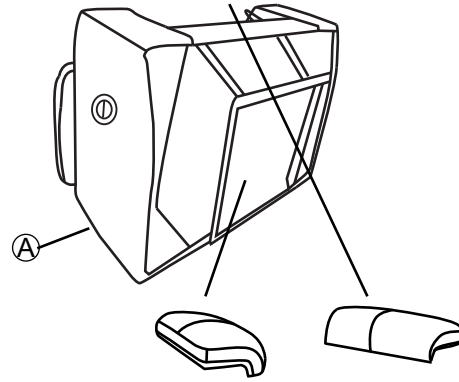


fig. 1

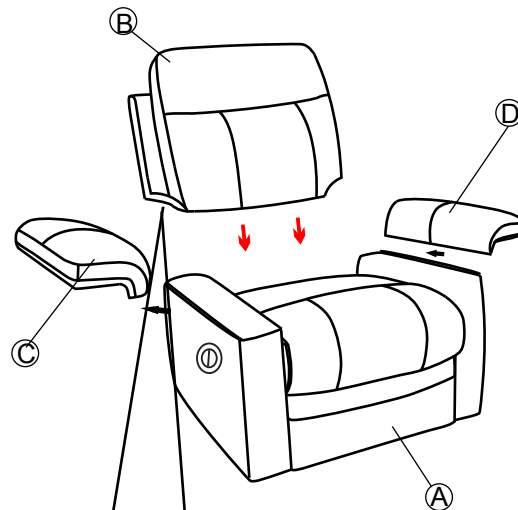
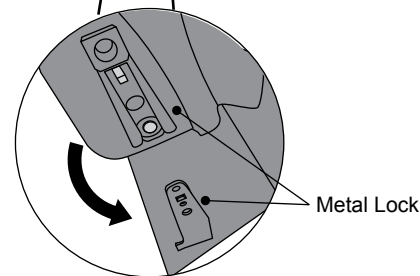


fig. 2



Assembly Instructions

WARNING: If the supply cord is damaged, it must be replaced by the manufacturer, its service agent or similarly qualified persons in order to avoid a hazard.

5. Remove and unpack the fittings which are stored under the Seat Unit (A).
See fig. 3.



& \$ 87, 21

- %HZDUH RI HQWUDSPHQW .HHS
KDQGV DQG ILQJHUV FOHDU RI WKH
WLOW PHFKDQLVP ZKHQ RSHUDWLQ
WKH FRQWUROV

- (QVXUH WKDW FKLOGUHQ RU SHW DUH
QRW SOD\LQJ RU O\LQJ LQ WKH ZD\

ZKHQ WKH WLOW PHFKDQLVP LV
RSHUDWHG

- 3UHYHQW FKLOGUHQ IURP SOD\LQJ
RQ WKH IXUQLWXUH RU ZLWK WKH
FRQWUROV

W A S E E L E C T R I C A L P R O D U C T S
S H O U L D N O T B E D I S P O S E D O F
W T H H O U S E H O L D W A S E P L E A S E
R E C Y C L E W H E R E F A C I L I T E S E X I S T
C H E C K W T H Y O U R L O C A L A U T H O R I T Y
F O R R E C Y C L I N G A D V I C E

NOTE: It would be useful to ask someone to help you at this stage.

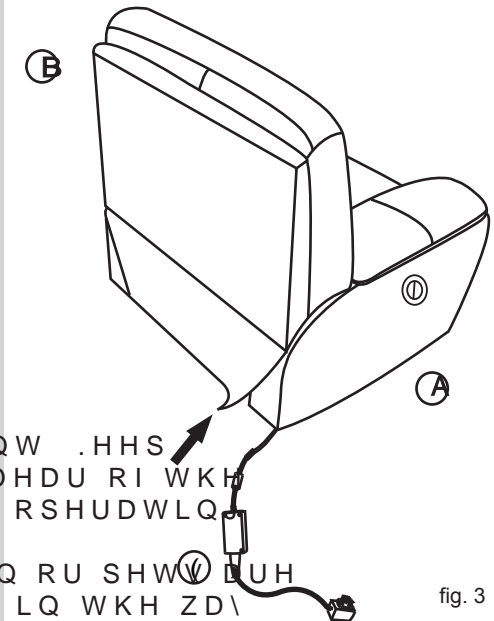


fig. 3

Assembly Instructions

Stage 2 - Arm cushion assembly steps

1. Please fix the arm cushion by zipping it onto the outside of the armrest.

See fig.4.



fig. 4

2. Adjust the arm cushion with the right position onto the armrest .

See fig.5.



fig. 5

3. Press the seat cushion next to the inside of armrest. then stick the velcro into the inside of armrest.

See fig. 6.



fig.6

Assembly Instructions

6 W D J H 2 S H 4 D W L Q J W K H 8 Q L W

%DFN DQG)RRW 5HVW \$GMXVWPHQW
 7KLV &KDLU IHDWXUHV D UHFOLQLQJ
 EDFN UHVW DQG UDLVHG IRRW UHVW
 <RX QHHG WR EH VLWWLQJ LQ WKH FKDLU
 WR DFWLYDWH WKH IHDWXUHV

1. 3UHVW WKH \$GMXVWPHQW /HYHU
 IURQW EXWWRQRU FKDLU ZLOO
 UHFOLQH DQG WKH IRRW UHVW ZLOO
 DXWRPDWLFDOO\ OLIV XS

See fig.7.

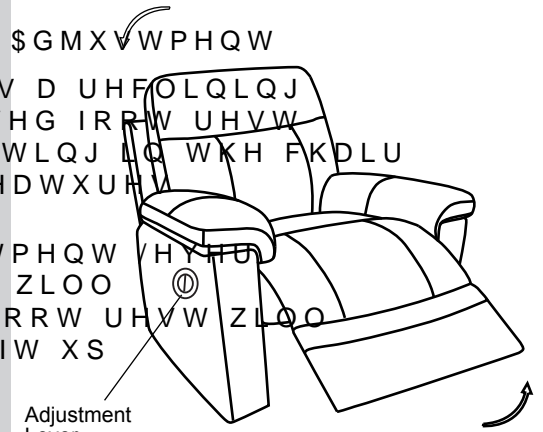


fig. 7

2. 3UHVW WKH \$GMXVWPHQW /HYHU
 EDFN EXWWRQRU UHWXUQ WR
 WKH QRUPDO

See fig.7.

3. \$GMXVW WKH UHFOLQH WR
 UHTXLUHPHQWV

4.)LQDOO\ FDUHIXOO\ SODFH WKH XQLW LQ
 WKH GHVLUH ORFDWLRQ

See fig.8.

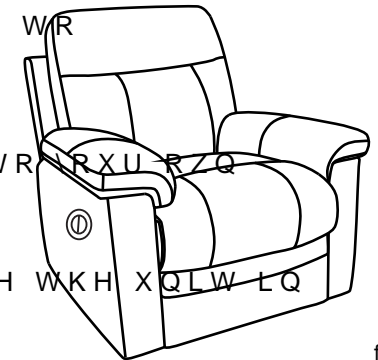


fig.8

&DUH DQG 0DLQWHQDQFH

6DIHW\
 7R DYRLG DQ\ ULVN RI VXIIRFDWLRQ WR DQLPDOV RU
 EDJV LPPHGLDWHO\

&OHDQLQJ
 \$V ZLWK DOO VXUIDFHV FOHDQ ZLWK D GDPS FORWK
 RU DEUDVLYH SURGXFWV

)LWWLQJ
)URP WLPH WR WLPH SOHDVH HQVXUH WKHUH DUH Q

if you need help or have damaged or missing parts, call the Customer Helpline:
 0345 640 0800/0345 601 2895

489-499 Avebury Boulevard Milton Keynes MK9 2NW, Argos Limited