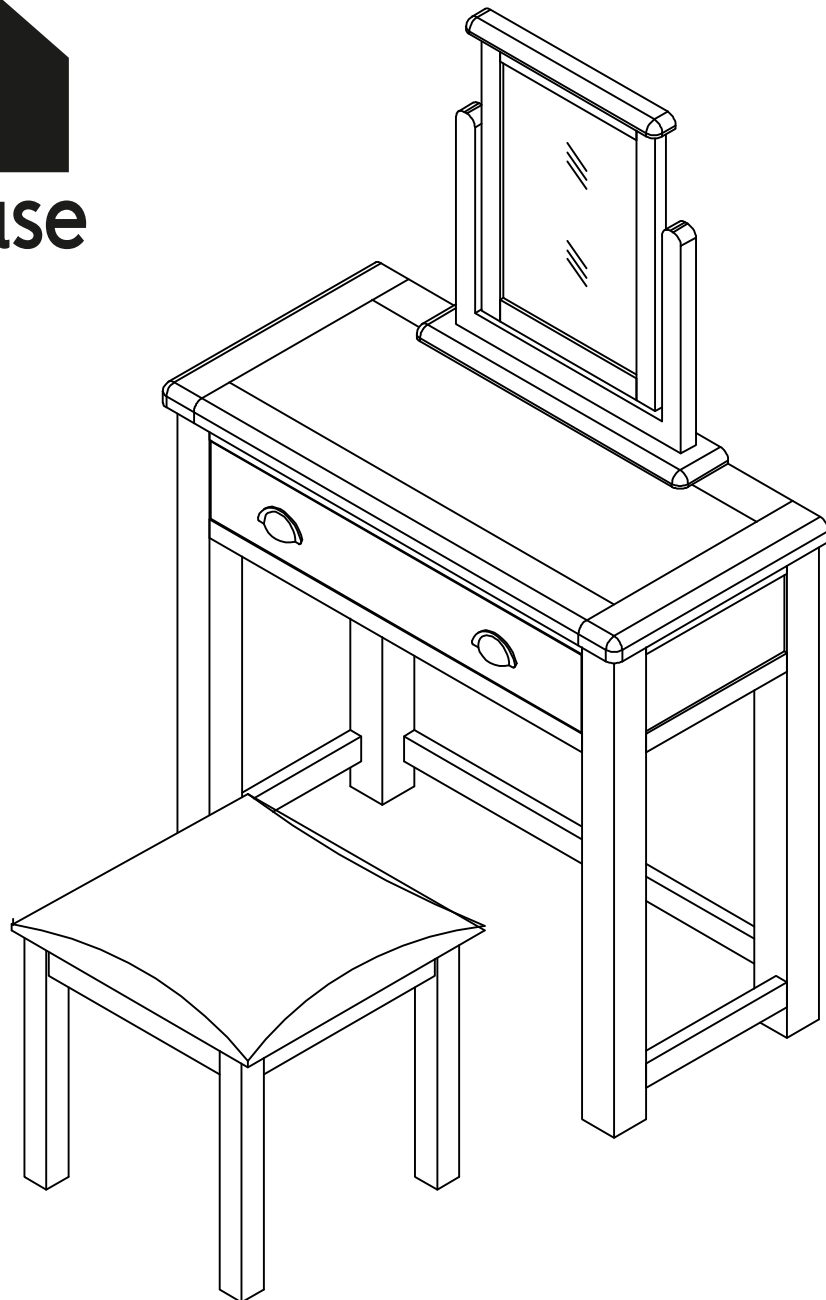


kent dressing table + mirror + stool

Assembly Instructions - Please keep for future reference

548/5259



Dimensions dressing table

Width - 85 cm
Depth - 40 cm
Height - 81,3 cm

Dimensions mirror

Width - 50 cm
Depth - 9 cm
Height - 54 cm

Dimensions stool

Width - 45 cm
Depth - 45 cm
Height - 46cm

Important - Please read these instructions fully before starting assembly

If you need help or have damaged or missing parts, call the **Customer Helpline:**
Argos = 0345 6400800

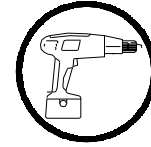


Safety and Care Advice

Important - Please read these instructions fully before starting assembly

- Check you have all the components and tools listed on the following pages.
- Remove all fittings from the plastic bags and separate them into their groups.
- Keep children and animals away from the work area, small parts could choke if swallowed.
- Make sure you have enough space to layout the parts before starting.

- During assembly do not stand or put weight on the product, this could cause damage.
- Assemble the item as close to its final position (in the same room) as possible.
- Assemble on a soft level surface to avoid damaging the unit or your floor.
- Parts of the assembly will be easier with 2 people.



• To reduce the likelihood of damaging your product please ensure that your power drill is set on a low torque setting.

Care and maintenance

- Only clean using a damp cloth and mild detergent, do not use bleach or abrasive cleaners.
- From time to time check that there are no loose screws on this unit.
- This product should not be discarded with household waste. Take to your local authority waste disposal centre.

Handy Hints

- Assemble all parts and bolts loosely during assembly, only once the product is complete should you fully tighten the bolts.
- Regularly check and ensure that all bolts and fittings are tightened properly.

Mirror safety

- Keep these instructions for future reference.
- If the mirror is chipped or broken : stop using the product and consult the Manufacturer or Supplier.
- imported by :
 - Argos Ltd
 - 489 - 499 Avebury Boulevard
 - Saxon Gate West
 - Central Milton Keynes
 - MK9 2NW
- Batch No : 524030
- Date of Manufacture: Apt.2016
- Type of glass used : 5mm mirror

Warning :

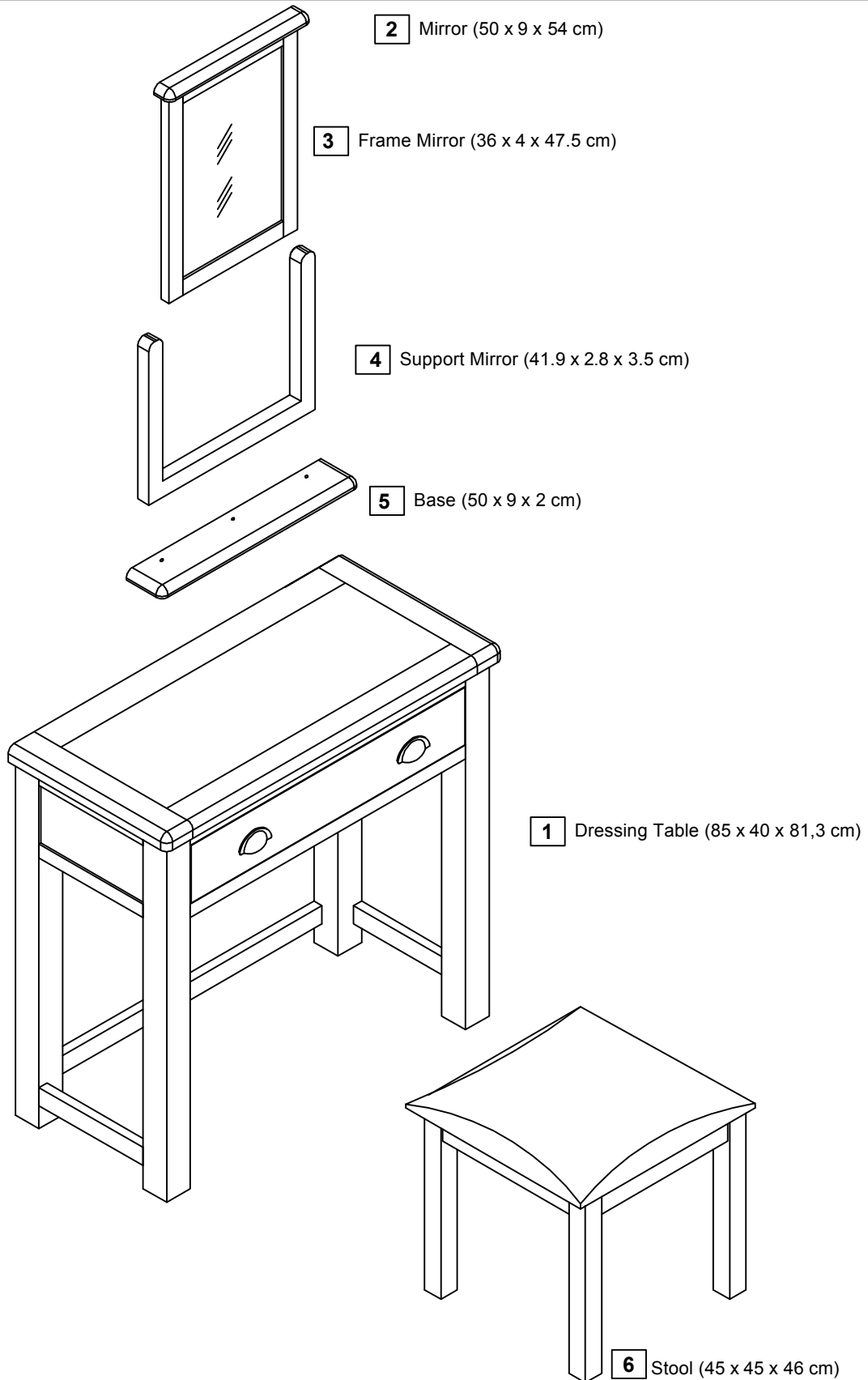
- Do not place very hot or very cold items on the mirror surface(s) unless adequately thick table mats are used to prevent such items from coming into contact with the mirror.
- Do not sit or upon the mirror surfaces(s).
- Do not use the mirror as a chopping surface. Do not strike the mirror with hard or pointed items
- When cleaning mirror panels use a damp cloth or leather with washing up liquid or soft if necessary, do not use washing powders or any other substance containing abrasives since these substances scratch mirror.

Note: if required the next page can be cut out and used as reference throughout the assembly. Keep this page with these instructions for future reference.

Components - Panels

If you have damaged or missing components, call the
Customer Helpline: Argos = 0345 6400800




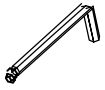
Please check you have all the panels listed below



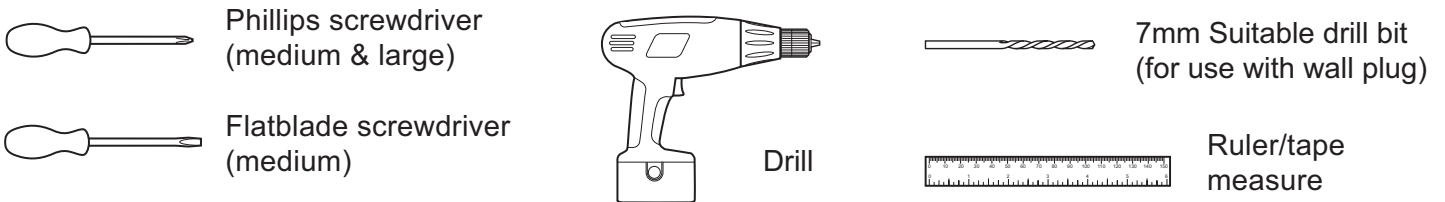
Components - Fittings

Please check you have all the fittings listed below

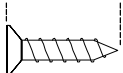
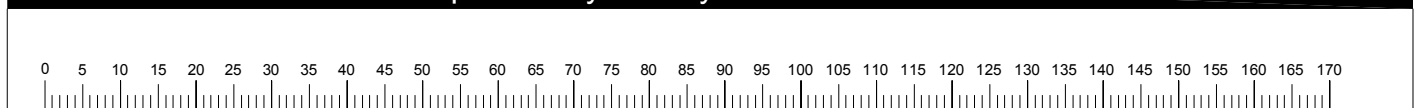
Note: The quantities below are the correct amount to complete the assembly. In some cases more fittings may be supplied than are required.

 Bolt 30 mm x 3	 Screw 15 mm x 4	 Bracket x 2	 Allen Keys x 1
---	--	---	---

Tools required



Ruler - Use this ruler to help correctly identify the screws

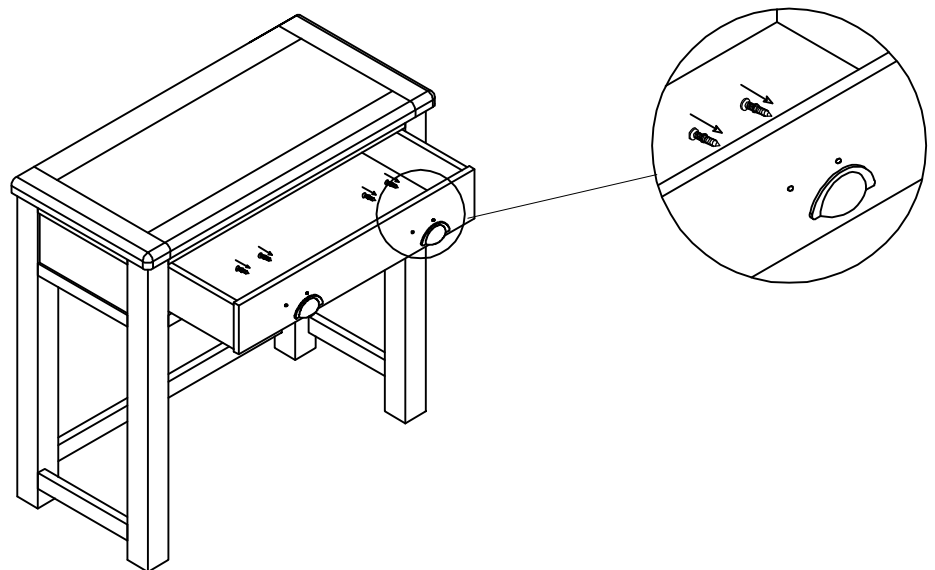
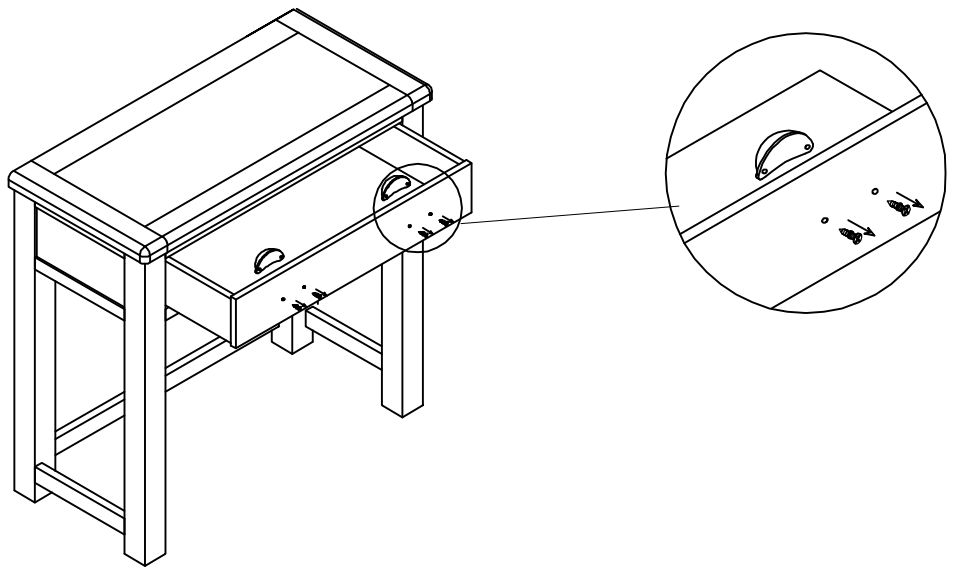


The screws length is measured from the head to the point (15 mm screw shown).

Assembly Instructions

Step 1

Drawer handles are pre-assembled reversely. Disassemble the handle and re-attach as shown in the figure.

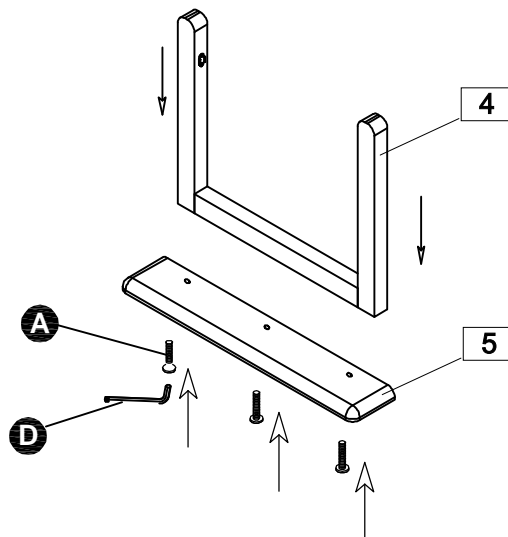


If you need help or have damaged or missing parts, call the **Customer Helpline:**
Argos = 0345 6400800

Assembly Instructions

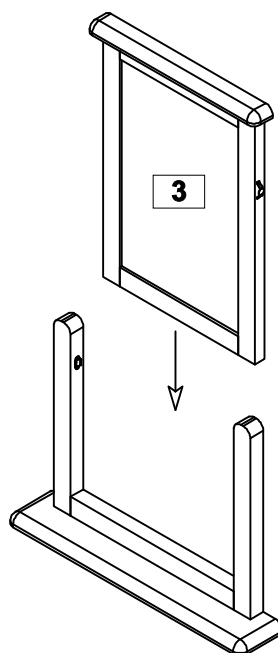
Step 2

Attach the Base **5** on the Support Frame **4** using 30mm Bolts **A** and secure using Allen Key **D**



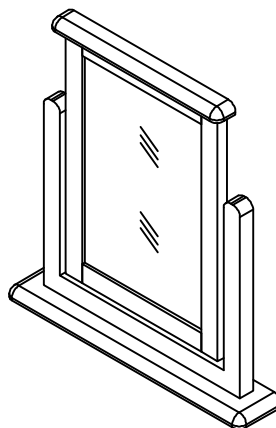
Step 3

Insert the Frame Mirror **3** on the Support Frame **4**



Step 4

Mirror is complete.

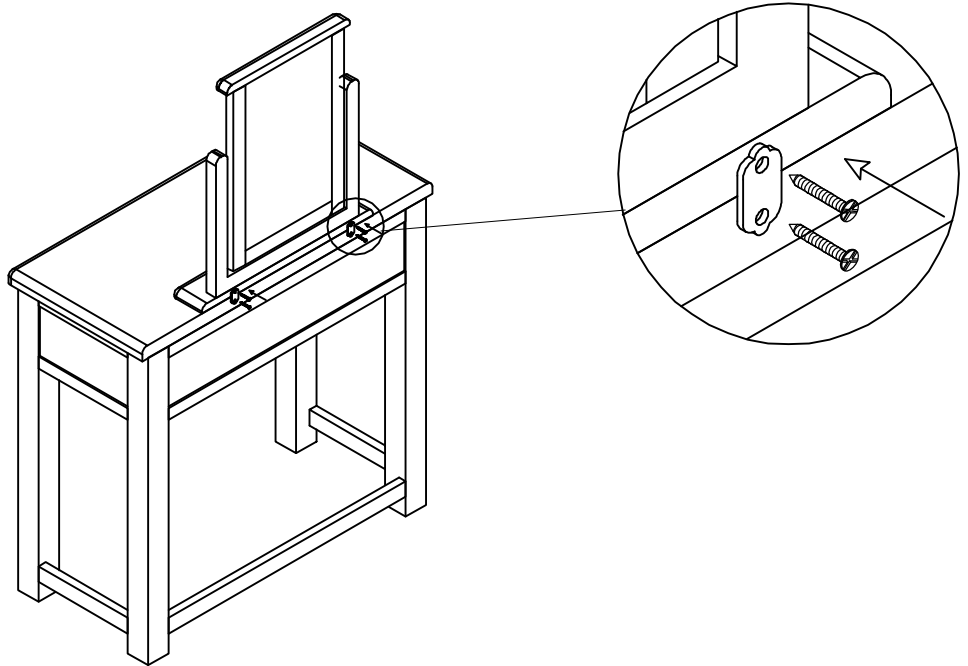


If you need help or have damaged or missing parts, call the **Customer Helpline:**
Argos = 0345 6400800

Assembly Instructions

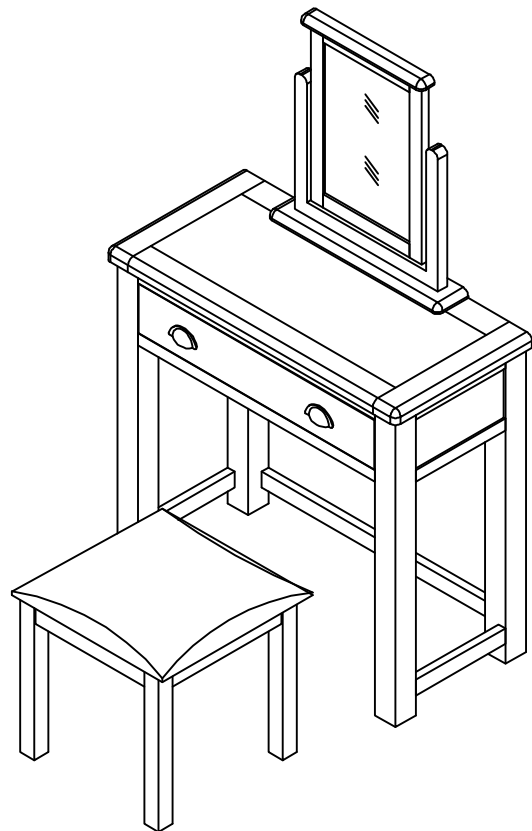
Step 5

Put the Mirror on the Dressing Table and using Bracket **C**, 15mm Screw **B** to the hold the Mirror and Dressing Table.



Step 6

Assembly is complete.



If you need help or have damaged or missing parts, call the **Customer Helpline:**
Argos = 0345 6400800