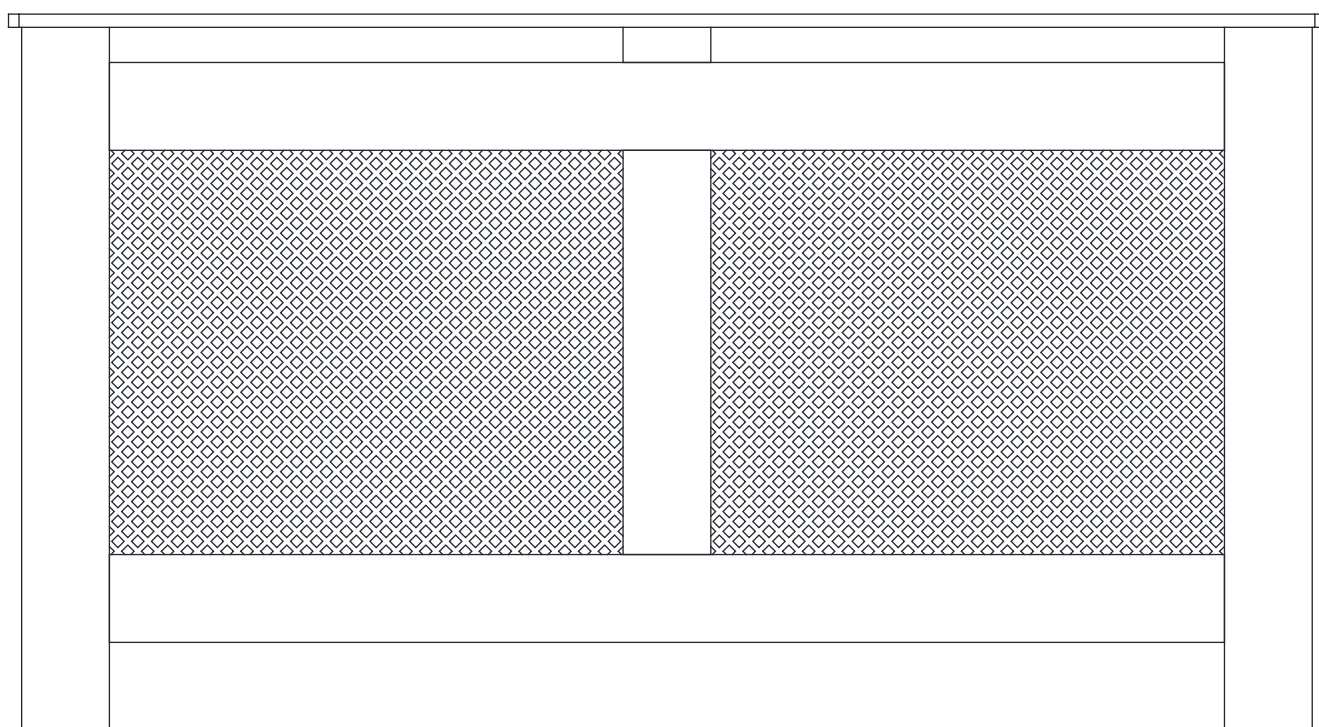


Odell Large Radiator Cabinet

Assembly Instructions - please keep for future reference

546/9859



Dimensions

Width - 150cm

Depth - 19cm

Height - 81.5cm

Important – Please read these instructions fully before starting assembly

If you need help or have damaged or missing parts, call the Customer Helpline: 0345 640 0800



Safety and Care Advice

Important – Please read these instructions fully before starting assembly

- Check you have all the components and tools listed on page 2
- Remove all fittings from the plastic bags and separate them into their groups.
- Keep children and animals away from the work area, small parts could choke if swallowed.
- Make sure you have enough space to layout the parts before starting.

- During assembly do not stand or put weight on the product, this could cause damage.
- Assemble the item as close to its final position (in the same room) as possible.
- Assemble on a soft level surface to avoid damaging the unit or your floor.
- Parts of the assembly will be easier with 2 people.



- We do not recommend the use of power drill/drivers for inserting screws, as this could damage the using. Only use Power drills for wall fixing

Care and maintenance

- Only clean using a damp cloth and mild detergent, do not use bleach or abrasive cleaners.
- From time to time check that there are no loose screws on this unit.
- This product should not be discarded with household waste. Take to your local authority waste disposal centre.

Handy Hints

The assembled radiator cabinet must be fixed/secured to a wall which is in good condition.

Screws and wall plugs provided are suitable for solid walls only, alternative fixings will be required for other wall types (not included)

Before drilling walls check for hidden pipes and cables

Turn the radiator off, allowing to cool prior to commencing work

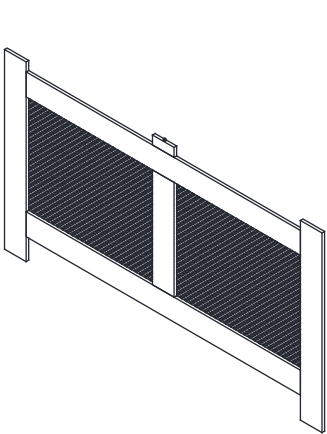
Avoid assembling the radiator cabinet on hard abrasive surfaces which could damage the finish

Place the radiator cabinet in position with the grooves in the underside of the top panel located over the fixing brackets. The cabinet can be easily removed if access to the radiator is required.

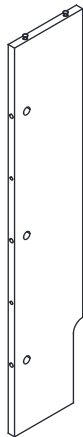
Regularly check and ensure that all bolts and fittings are tightened properly.

Components - Panels

Please check you have all the panels listed below



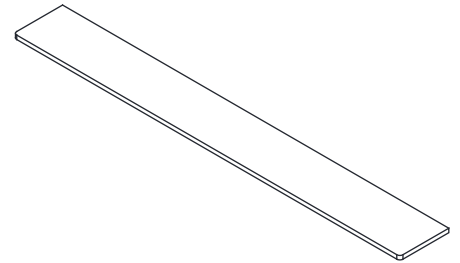
1 Front Panel x 1
(h)80cm x (w)147cm



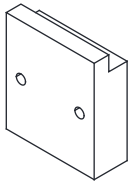
2 Left Side x 1
(h)80cm x (w)16.2cm



3 Right Side x 1
(h)80cm x (w)16.2cm



4 Top Panel x 1
(h)19cm x (w)150cm




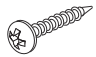
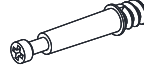


5 Wall Mounting Block x 2
(h)5.5cm x (w)4.8cm

Components - Fittings

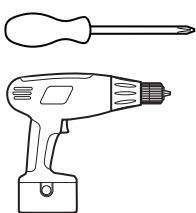
If you have damaged or missing components, call the Customer Helpline: 0345 640 0800

Please check you have all the fittings listed below

Note: The quantities below are the correct amount to complete the assembly. In some cases more fittings may be supplied than are required.

<p>A</p>  <p>Wood dowel x 4</p>	<p>B</p>  <p>Wall Screws x 4</p>	<p>C</p>  <p>Cam bolt x 6</p>	<p>D</p>  <p>Cam x 6</p>
<p>E</p>  <p>Wall Plugs x 4</p>			

Tools required



Phillips screwdriver
(medium/large)

Drill

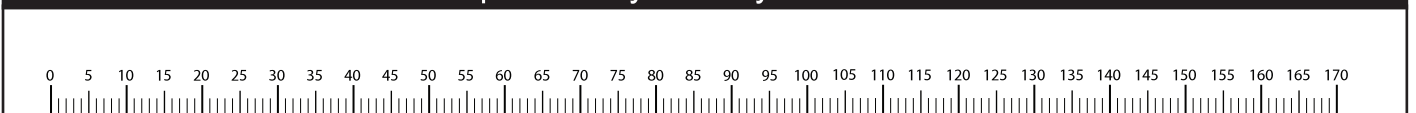


Ruler/tape
measure



Spirit Level

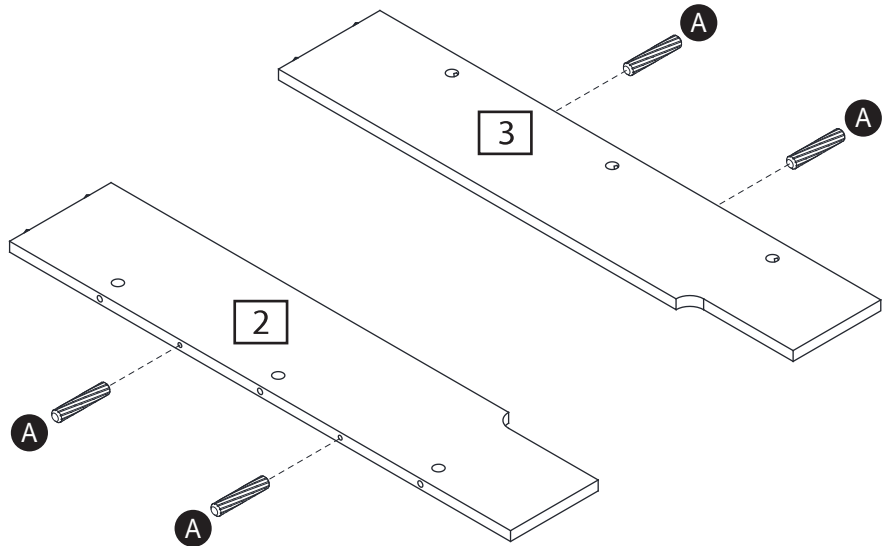
Ruler – Use this ruler to help correctly identify the screws



Assembly Instructions

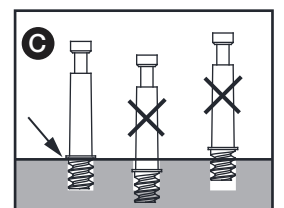
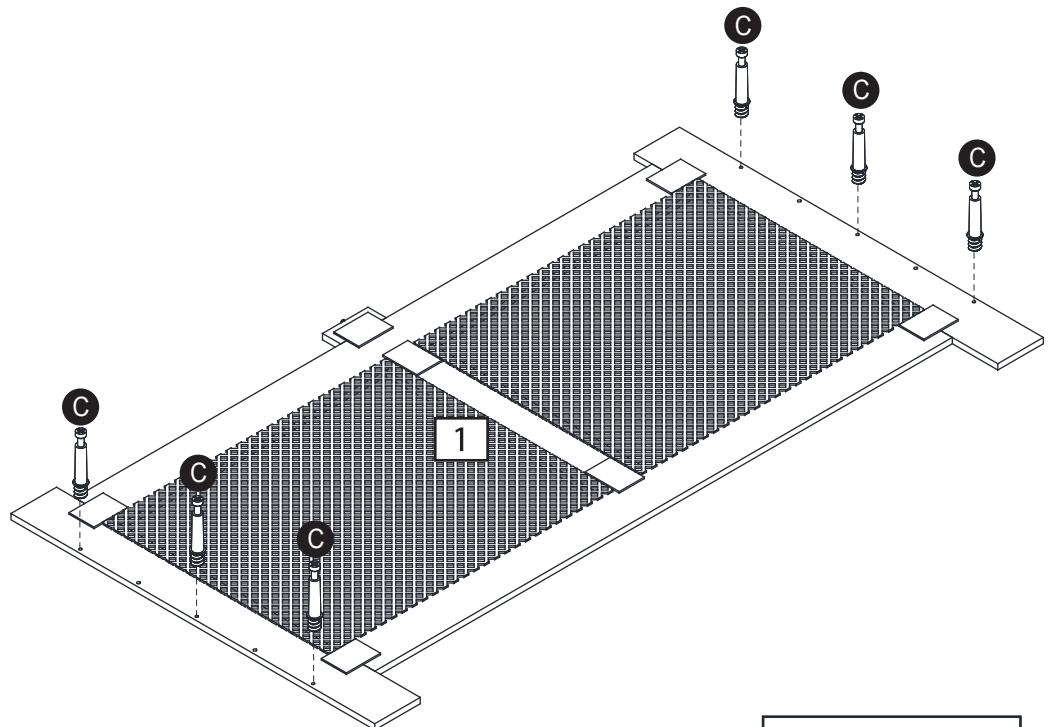
Step 1

1. Insert 4 x wooden dowel **A** into Left Side **2** and Right Side **3**
Repeat this step.



Step 2

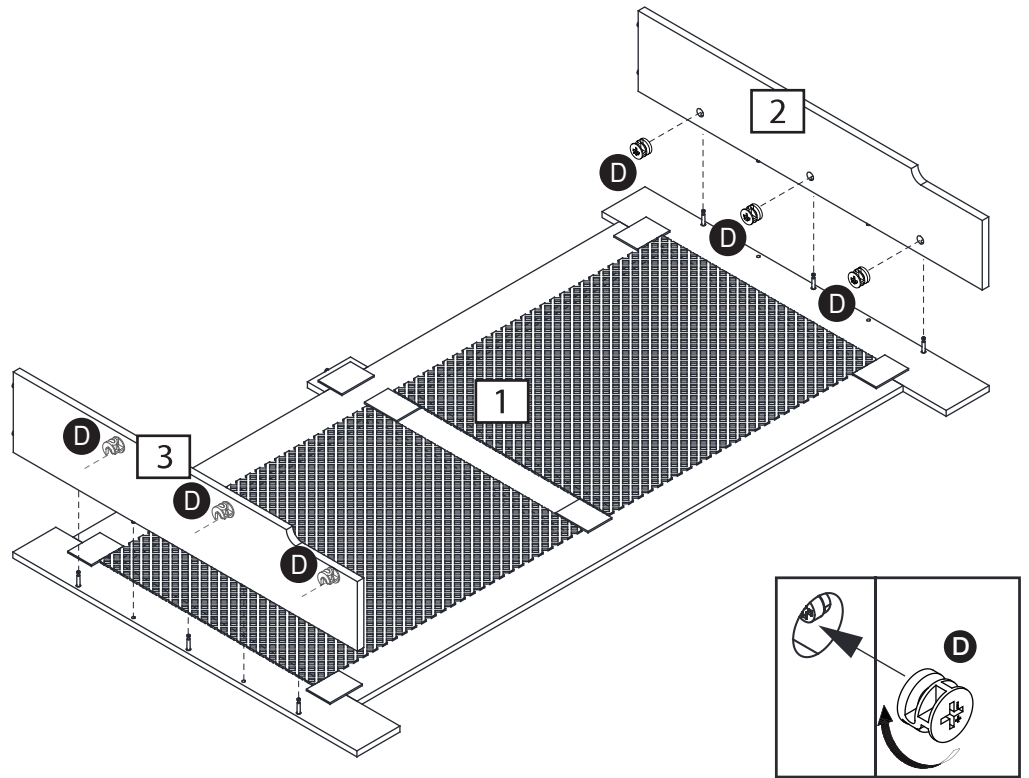
1. Insert 6 x Cam bolt **C** into Front Panel **1**



Assembly Instructions

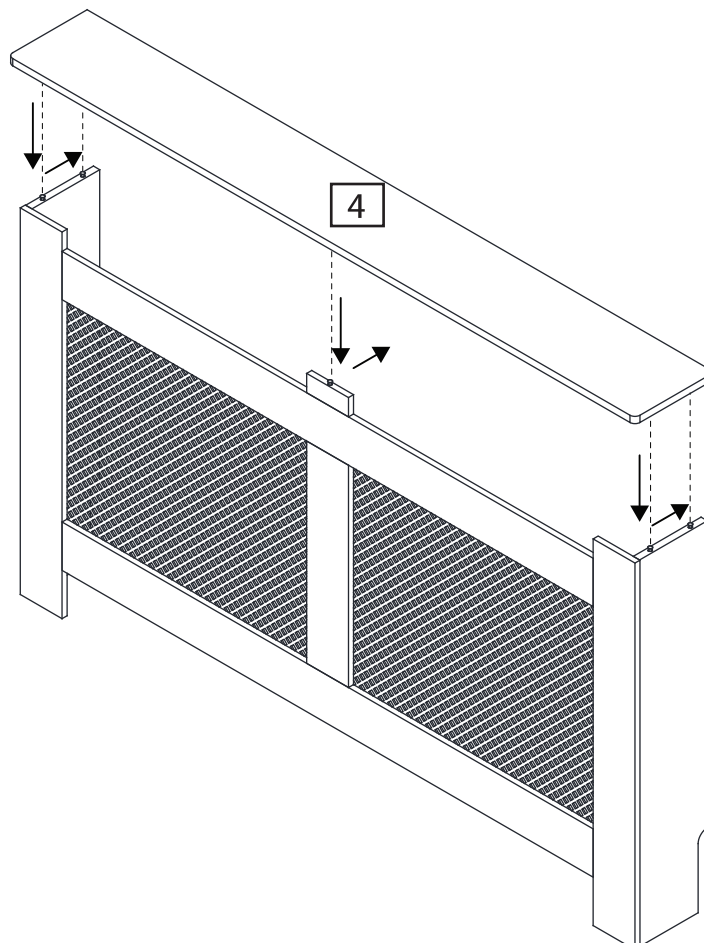
Step 3

1. Attach Left Side **2** and Right Side **3** to Front Panel **1**
Align the arrow on 6 x Cam **D** with the edge of Left Side **2** and Right Side **3**
Rotate all Cam **D** clockwise for about 1/4 or 1/2 a turn or until the bolts "connects" with the screw and is secure.



Step 4

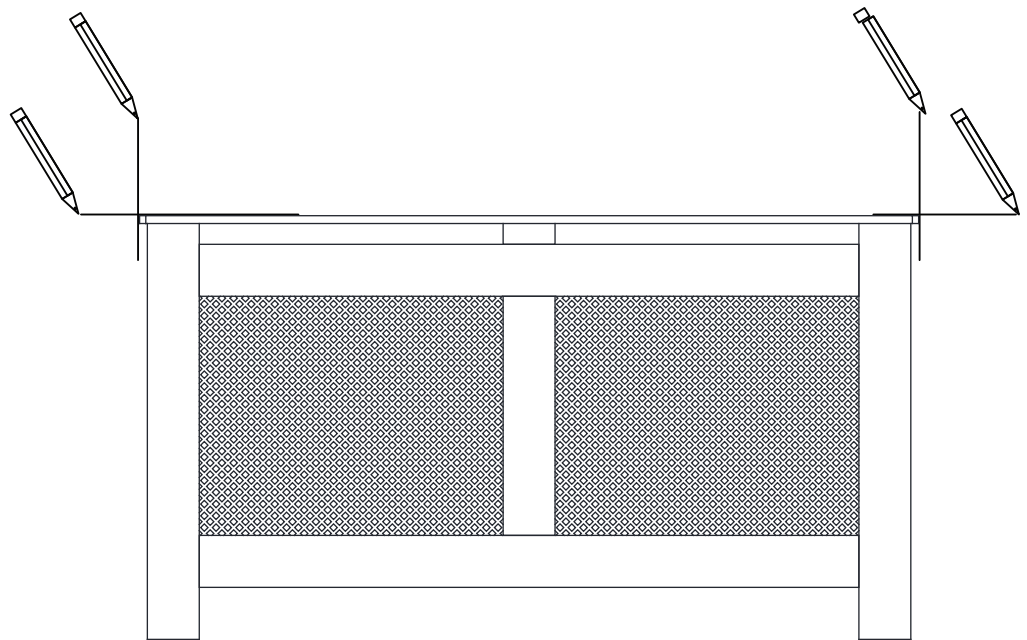
1. Connect Top Panel **4** to the cabinet by locating it onto 5 x Pre-fitted Cam Screws as shown. To Lock, Push down and slide towards the back of the unit.



Assembly Instructions

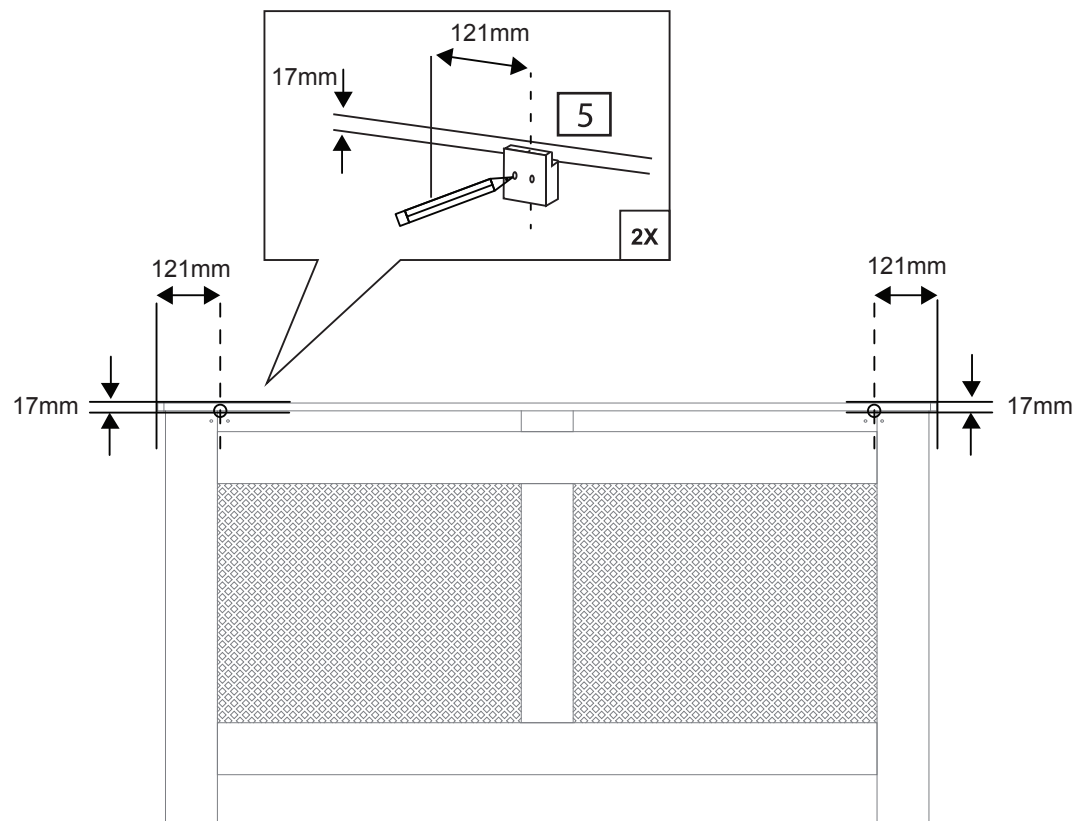
Step 5

1. Position the radiator cabinet against the wall that it will be situated.
2. Using a suitable scribe, mark a horizontal line and 2 vertical lines marking the edge of the radiator cabinet



Step 6

1. From your top horizontal line, measure 17mm downwards and make another horizontal line on both sides as shown.
2. From your vertical lines measure 121mm inwards and make another 2 vertical lines
3. Where these lines meet is the location of the wall mounting block **5**. The lower step of the block should line up with this bottom horizontal line and the vertical line should run through the centre of the block.
4. Mark the position of the brackets using a suitable scribe.



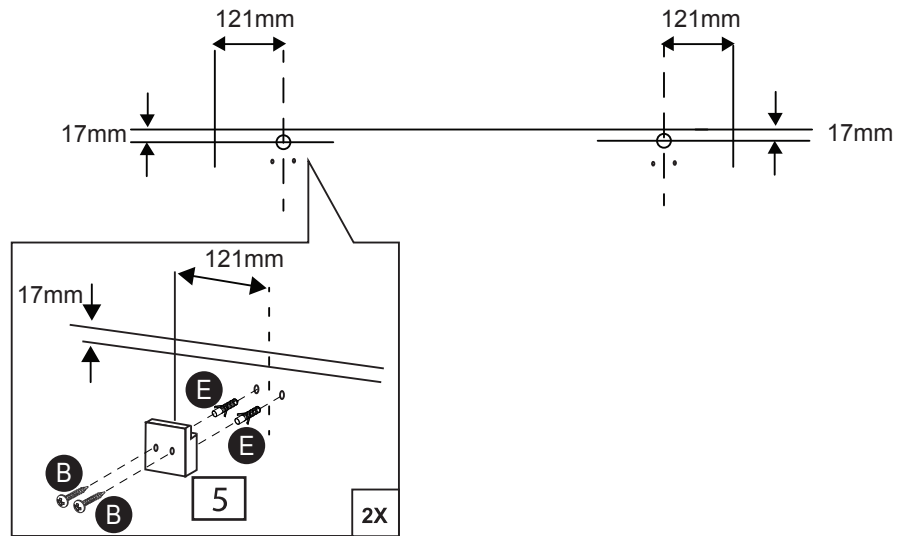
Assembly Instructions

Step 7



Warning:
Before drilling, check wall for hidden pipes and cables.

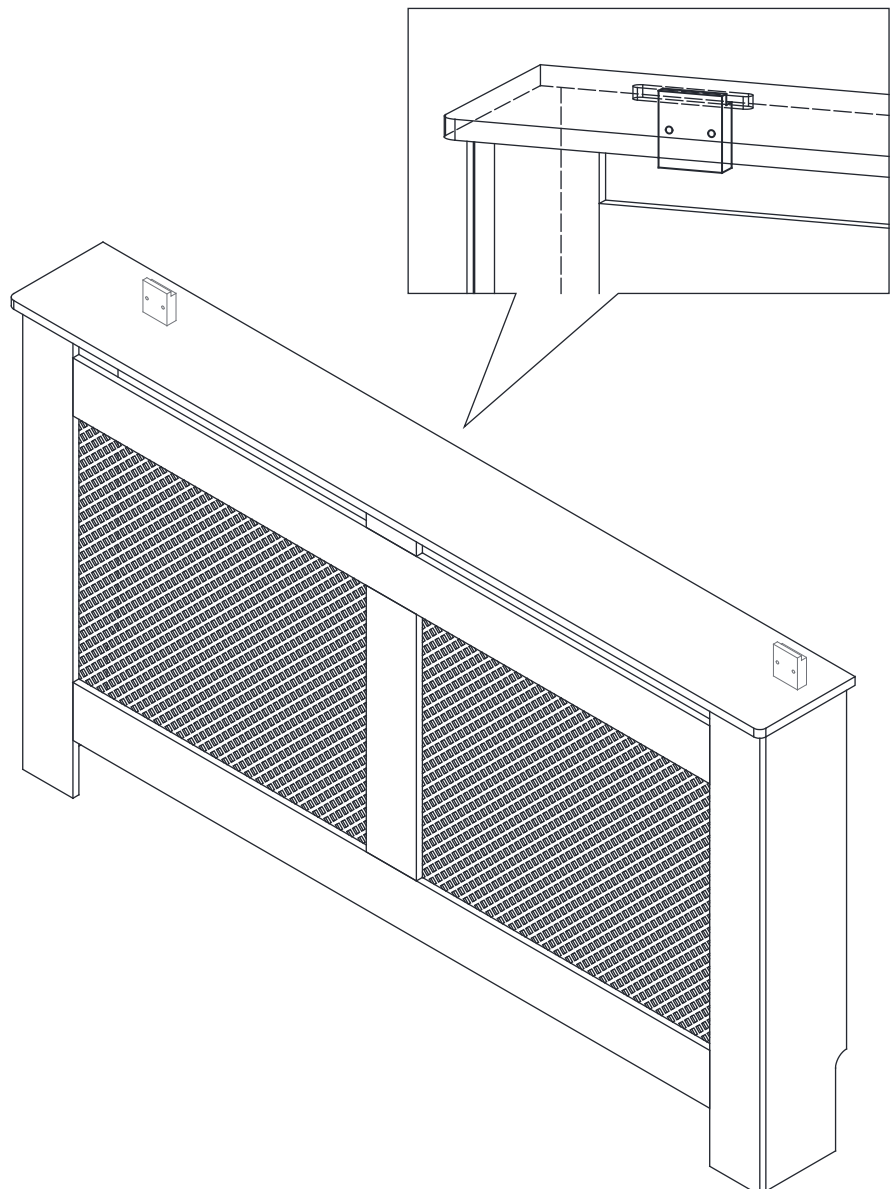
1. Drill holes and insert 2x wall plug **E**
2. Connect 2 x **5** Mounting blocks to the wall using 4 x screw **B**



Step 8

1. Hang the cabinet from the mounting blocks as shown.

Assembly Complete



A Guide to Wall Mounting & Fixings

Important note:

If plastic wall plugs (rawl plugs) are supplied with your product, e.g.:



- these are only suitable for use in masonry walls.

If you are in any doubt about the correct wall plugs for your wall, seek professional advice.


Failure of the product due to using the incorrect fixings is the responsibility of the installer.



Important: when drilling into walls always check that there are no hidden wires or pipes etc.

Make sure that the screws and wall plugs being used are suitable for **supporting your unit**. **Consult a qualified tradesperson if you are unsure.**

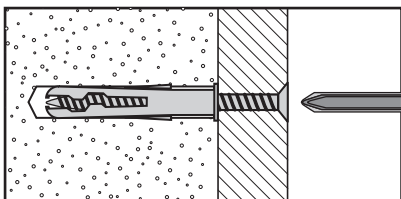
Hints:

- 1: General rule:  always use a larger screw and wall plug if you are not sure.
- 2: Ensure you use the recommended drill bit to match the wall plug and hole size.
- 3: Ensure you drill the hole horizontally; do not force the drill or enlarge the hole.
- 4: Take extra care when drilling high walls, ceilings and ceramic tiles. Ensure wall plugs are inserted beyond the thickness of the ceramic tiles to avoid the tiles splitting or cracking.
- 5: Ensure wall plugs are well fitted and are a tight fit in the drilled hole.

Types of walls

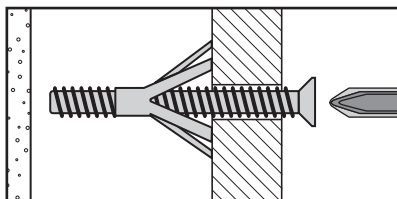
You can use one of the following types of wall plug if your walls are made of brick, breeze block, concrete, stone or wood.

No.1 "General Purpose" wall plug



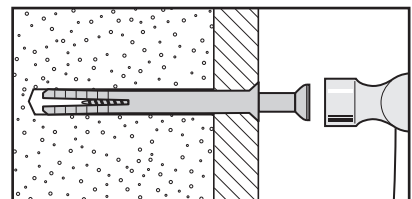
Generally aerated blocks should not be used to support heavy loads, use a specialist fitting in this case. For light loads, general purpose wall plugs can be used.

No.3 "Cavity Fixing" wall plug



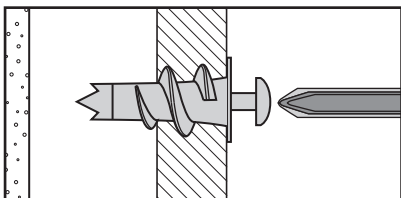
For use with plasterboard partitions or hollow wooden doors.

No.5 "Hammer Fixing" wall plug



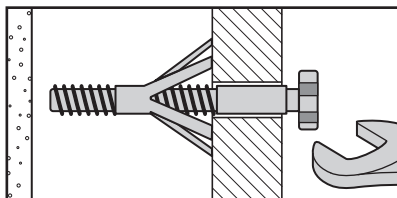
For use with walls stuck with plasterboard. The hammer fixing allows it to be fixed to the wall rather than the plasterboard. Always check the fixing is secure to the retaining wall.

No.2 "Plasterboard" wall plug



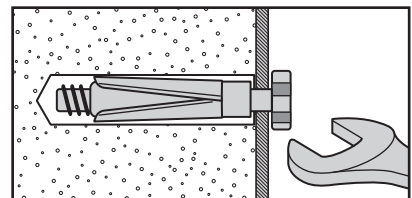
For use when attaching light loads onto plasterboard partitions.

No.4 "Cavity Fixing - Heavy Duty" wall plug



For use when fitting or supporting heavy loads such as shelving, wall cabinets and coat racks.

No.6 "Shield Anchor" wall plug - heavy loads



For use with heavier loads such as TV and HiFi speakers and satellite dishes etc.



Care & Maintenance

Safety: always check the fitting and location to ensure your safety in and around the home.

Fitting: from time to time check the fitting to ensure the wall plugs or screws do not become loose.