

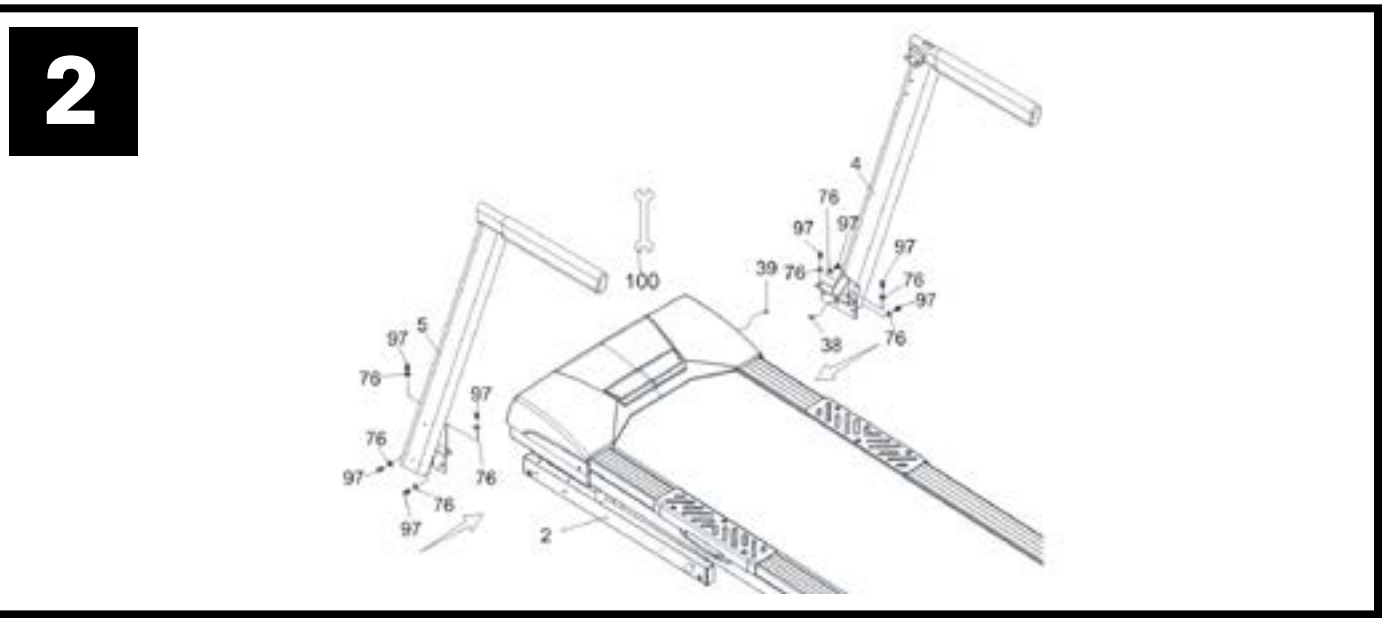
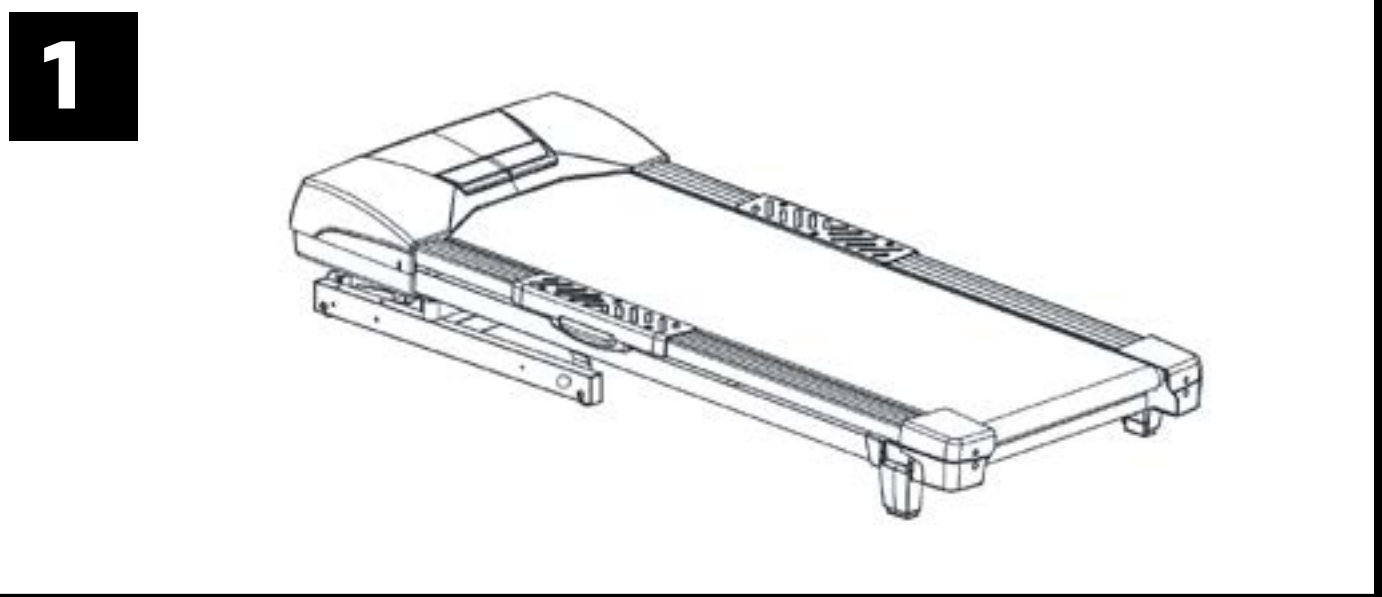
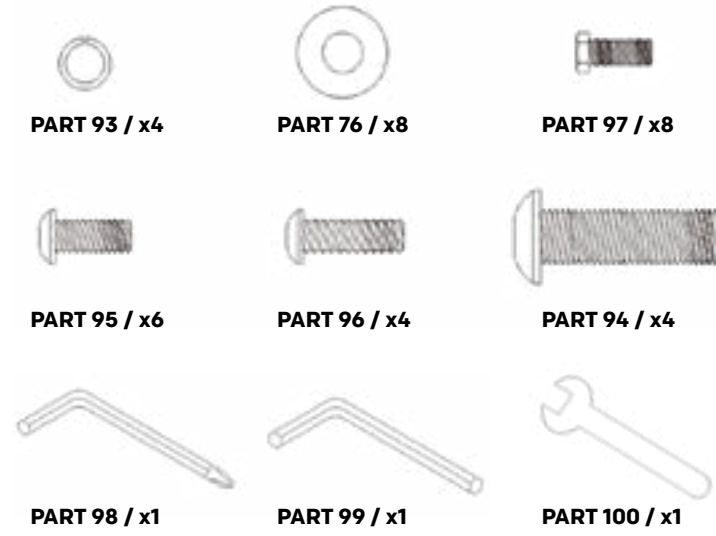


ADIDAS TREADMILL T-16 ASSEMBLY GUIDE

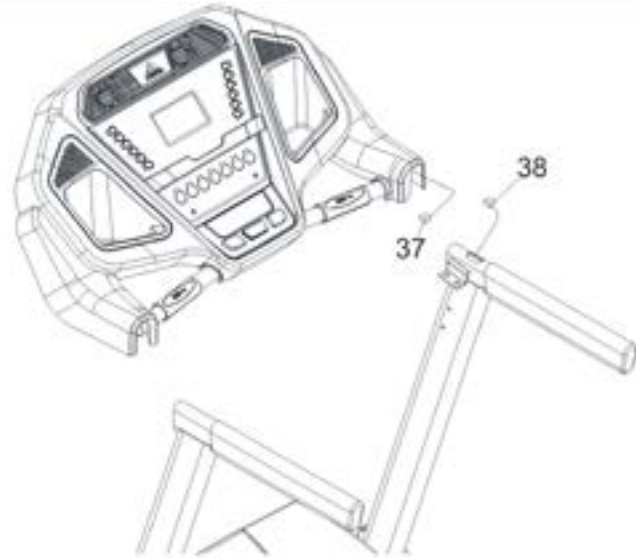




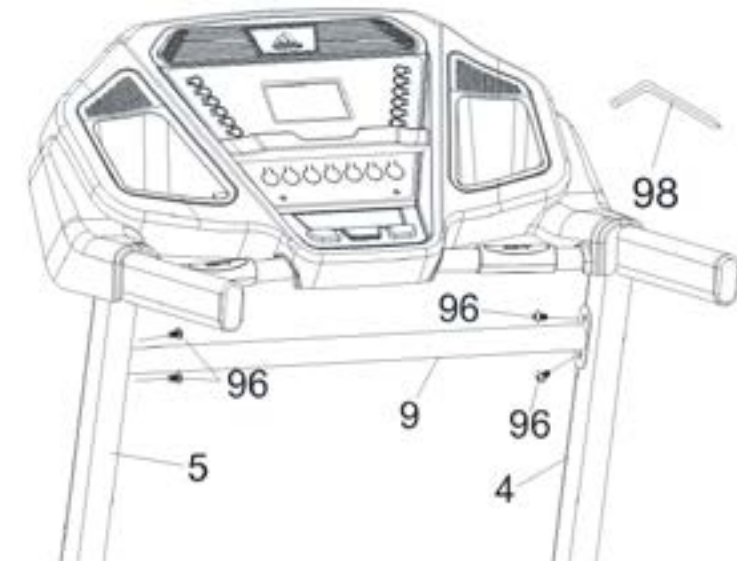
HARDWARE PACK



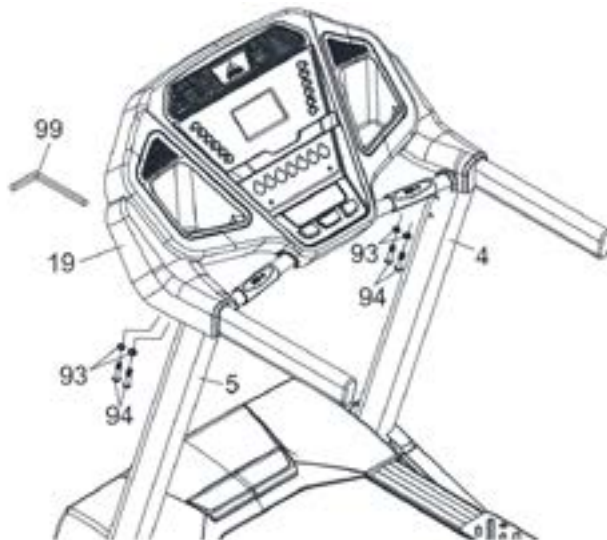
3



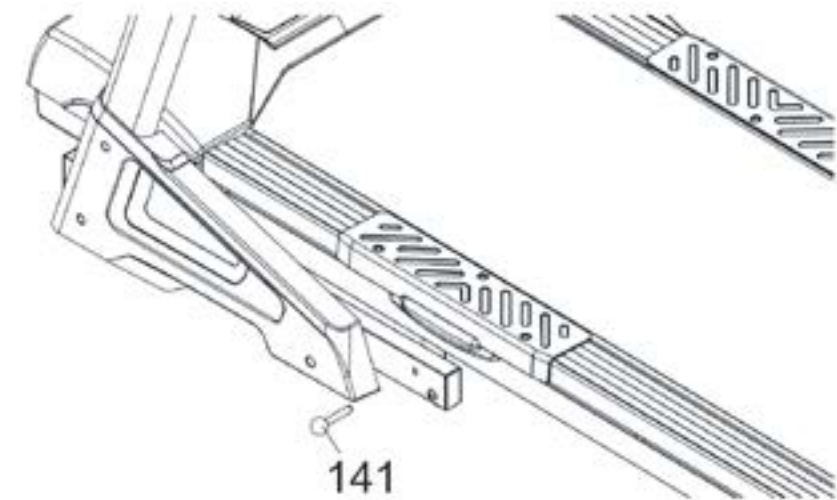
6



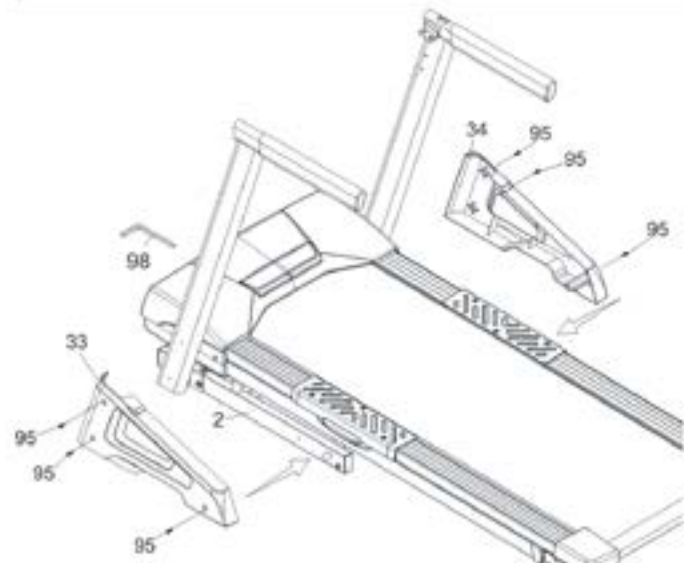
4



7



5



NO.	DESCRIPTION	Q'TY	NO.	DESCRIPTION	Q'TY	NO.	DESCRIPTION	Q'TY	NO.	DESCRIPTION	Q'TY
1	Main Frame	1	22	Top Motor Cover Plate	1	72	5/16" × 7T_Nyloc Nut	4	143	3.5 × 12m/m_Sheet Metal Screw	2
2	Frame Base	1	23	Rubber Foot	6	73	M8 × 7T_Nyloc Nut	1	145	13L_Bolt Cap	4
3	Incline Bracket	1	24	Belt Guide	2	74	Ø10 × Ø25 × 2.0T_Flat Washer	5	146	14L_Bolt Cap	1
4	Right Upright	1	25	Motor Cover Anchor	4	75	Ø10 × Ø19 × 1.5T_Flat Washer	6	147	M10 × P1.5 × 30m/m_Socket Head Cap Bolt	4
5	Left Upright	1	26	Rear Adjustment Base (L)	1	76	Ø5/16" × Ø18 × 1.5T_Flat Washer	14			
6	Console Support	1	27	Rear Adjustment Base (R)	1	77	Ø1/4" × 19 × 1.5T_Flat Washer	8			
9	Handrail Support	1	28	Rear Foot Cover (L)	1	78	Ø25 × Ø20 × Ø16 × Ø5 × 4.5H × 1.1T_Concave Washer	8			
10	Foot Pad Plate	2	29	Rear Foot Cover (R)	1	79	Ø8 × 1.5T_Split Washer	4			
11	Drive Belt	1	30	Motor Bracket	1	80	Ø10 × 2.0T_Split Washer	4			
12	Front Roller W/Pulley	1	31	EUP Fixing Plate	1	81	Ø5 × 1.5T_Split Washer	3			
12~3	Magnet	2	32	Transportation Wheel End Cap	4	82	M5_Star Washer	3			
13	Rear Roller	1	33	Frame Base Cover (L)	1	83	4 × 12m/m_Sheet Metal Screw	20			
14	Running Deck	1	34	Frame Base Cover (R)	1	84	5 × 16m/m_Tapping Screw	26			
15	Running Belt	1	35	1200m/m_Sensor W/Cable	1	85	5 × 19m/m_Tapping Screw	1			
16	Drive Motor	1	35~1	Sensor Rack	1	86	3.5 × 16m/m_Sheet Metal Screw	6			
17	Incline Motor	1	36	PVC Handgrip	2	87	5 × 16m/m_Tapping Screw	8			
18	Motor Controller	1	37	1000m/m_Computer Cable (Upper)	1	88	3 × 20 m/m_Tapping Screw	4			
19	Console Assembly	1	38	1300m/m_Computer Cable (Middle)	1	89	3.5 × 16 m/m_Tapping Screw	8			
19~1	Console Top Cover	1	39	1100m/m_Computer Cable (Lower)	1	90	Ø5 × Ø15 × 1.0T_Flat Washer	4			
19~2	Console Bottom Cover	1	40	1000m/m_Handpulse W/Cable Assembly (White)	1	91	M5 × 10m/m_Phillips Head Screw	3			
19~3	Front Console Cover (Inner)	1	41	1000m/m_Handpulse W/Cable Assembly (Red)	1	92	Wire Tie Mount	8			
19~4	Drink Bottle Holder (L)	1	42	Transportation Wheel	4	93	Ø10 × 2.0T_Split Washer	4			
19~5	Drink Bottle Holder (R)	1	43	Cylinder	1	94	3/8" × 1-1/2" _Button Head Socket Bolt	4			
19~6	Book Rack	1	45	300m/m_Foot Rail	2	95	M5 × 15m/m_Phillips Head Screw	6			
19~7	Deflector Fan Grill	1	46	715m/m_Foot Rail	2	96	5/16" × 3/4" _Button Head Socket Bolt	4			
19~8	START Key	1	47	Pedal Cover (Top)	2	97	5/16" × 1/2" _Hex Head Bolt	8			
19~9	STOP Key	1	48	Pedal Cover (Inner)	2	98	M5 Allen Wrench & Phillips Head Screw Driver	1			
19~10	Console Display Board	1	49	400m/m_Computer Cable(EUP)	1	99	M6_Allen Wrench	1			
19~11	Key Board(AK0858G5_V10(START))	1	50	150m/m_Connecting Wire (Black)	1	100	12m/m_Wrench	1			
19~12	Key Board(AK0858G4_V10(STOP))	1	51	Grommet	1	101	Lubricant	1			
19~13	Key Board(AK0858G3_V10)	1	52	On/Off Switch	1	103	400m/m_Audio Cable	1			
19~14	Key Board(AK0858G2_V10(incline))	1	53	Power Cord	1	105	5 × 32m/m_Tapping Screw	4			
19~15	Key Board(AK0858G1_V10(speed))	1	54	800m/m_Trapezoidal Safety Key	1	106	5/16" × 1/2" _Button Head Socket Bolt	2			
19~16	300m/m_Speaker W/Cable	2	55	Cushion Spacer	2	110	Square End Cap	2			
19~17	W/Receiver, HR	1	56	Handgrip End Cap	2	111	M8 × 25m/m_Flat Head Countersink Bolt	2			
19~18	400m/m_Receiver Connecting Cable	1	57	Ø10 × Ø24 × 3T_Nylon Washer	6	112	Oval End Cap	2			
19~19	500m/m_Sound Board W/Cable	1	58	EUP Board	1	115	Fixing Plate	1			
19~20	400m/m_Safety Switch Module W/Cable	1	59	3/8" × UNC16 × 1-3/4" _Hex Head Bolt	1	116	3 × 8m/m_Sheet Metal Screw	2			
19~21	Fan	1	60	3/8" × 3-3/4" _Hex Head Bolt	1	119	Choke	1			
19~22	2.3 × 6m/m_Sheet Metal Screw	35	61	3/8" × 2-3/4" _Hex Head Bolt	1	120	Filter	1			
19~23	Square Magnet Stop Plate	2	62	3/8" × 3/4" _Hex Head Bolt	4	121	150m/m_Connecting Wire (White)	1			
19~24	3.5 × 12m/m_Sheet Metal Screw	39	64	5/16" × UNC18 × 1-3/4" _Button Head Socket Bolt	5	122	600m/m_Connecting Cable Of Motor	1			
19~25	3.5 × 32m/m_Sheet Metal Screw	8	65	5/16" × 1" _Button Head Socket Bolt	1	123	1000m/m_Ground Wire	1			
19~26	Speaker Grill Anchor	6	67	M8 × 60m/m_Hex Head Bolt	1	136	Controller Back Plate	1			
19~27	Fan Grill Anchor	2	68	M8 × 80m/m_Socket Head Cap Bolt	2	138	Rubber Foot Pad	2			
19~28	Fan Fixing Plate	2	69	M6 × 25m/m_Flat Head Socket Screw	6	140	5 × 25m/m_Tapping Screw	2			
20	Motor Top Cover	1	70	M8 × 12m/m_Hex Head Bolt	2	141	Locking Pin	1			
21	Motor Bottom Cover	1	71	3/8" × 7T_Nyloc Nut	2	142	M10 × P1.5 × 8.0T_Nyloc Nut	4			

TREADMILL T-16 ASSEMBLY GUIDE

