

Heavy Duty - Bunk Bed

Assembly Instructions - Please keep for future reference

557/5554

542/4825

814/8809

THE
COLLECTION
BY ARGOS



Dimensions

Width - 205,8cm

Depth - 102,8cm

Height -159,0cm

Important – Please read these instructions fully before starting assembly

If you need help or have damaged or missing parts, call the **Customer Helpline: 03456 400 800**



Safety and Care Advice

Important – Please read these instructions fully before starting assembly

- Check you have all the components and tools listed on pages 2 and 3.
- Remove all fittings from the plastic bags and separate them into their groups.
- Keep children and animals away from the work area, small parts could choke if swallowed.
- Make sure you have enough space to layout the parts before starting.
- Assemble on a soft level surface to avoid damaging the unit or your floor.

• This product contain natural timber; you may notice some variation in the grain and colour of different component parts which is normal for furniture produced using natural wood and is not the result of any manufacturing fault.

• Do not stand or put weight on the product, this could cause damage.

• Assemble the item as close to its final position (in the same room) as possible.



• We do not recommend the use of power drill/drivers **for inserting screws**, as this could damage the unit. Only use hand screwdrivers.

• Parts of the assembly will be easier with 2 people.

• Dispose of all packaging carefully and responsibly.

Care and maintenance

- Use an appropriate furniture polish for natural wood furniture and a dry cloth to clean the product.
- Avoid placing the furniture in direct sunlight as this will cause the timber to prematurely age.

• From time to time check that there are no loose screws on this unit.

• This product should not be discarded with household waste. Take to your local authority waste disposal centre.

IMPORTANT, READ CAREFULLY -RETAIN FOR FUTURE REFERENCE.

ASSEMBLY:

Current legislation requires that the bunk bed must be fitted with 4 safety-rails and a ladder or platform for the upper bunk bed. The bunk bed meets the European BS EN 747-1: 2012 + A1: 2015. standards for security and durability.

MATTRESS:

This bed is designed to use a mattress size 190 cm long and 90 cm wide.

The total thickness must not exceed 21 cm. The mattress top must not pass the marking on the ladder.

WARNING:

High beds and the upper bed of bunk beds are not suitable for children under six years due to the risk of injury from falls. Do not use the bed if any structural part is broken or missing. Be aware that children can strangle in items such as ropes, strings, cords, harnesses and belts attached to or hung on a bunk bed/high bed.

It is recommended that you always follow the manufacturer's instructions to assemble this product.

It is necessary to frequently ventilate the room in order to keep the humidity low and to prevent mold in and around the bed.

WARNING:

Children can become trapped between the bed and the wall. To avoid risk of serious injury the distance between the top safety barrier and the wall shall not exceed 75 mm. or shall be more than 230 mm.

MAINTENANCE INSTRUCTIONS:

All assembly fastenings should always be tightened properly and that care should be taken that no fittings are loose.

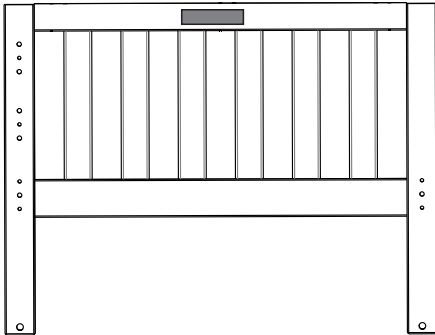
CLEANING:

LACQUERED: Wooden, lacquered and painted as well as laminated surfaces should be wiped over with a cloth and a mild soap.

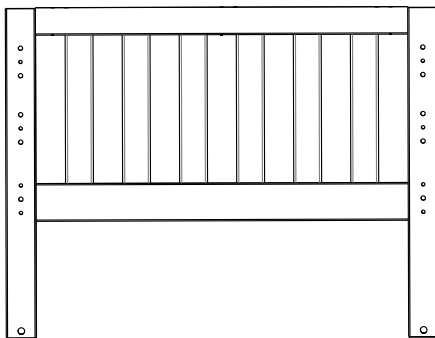
OIL: Oiled surfaces can be cleaned with soapy water, e.g. brown soap. Wipe with a clean cloth. To maintain the natural life in the furniture which is provided by the oil treatment, we recommend an oil aftercare of the furniture 1-2 times a year. The colourless natural oil for maintenance of oil-treated furniture is available at your local furniture store.

Components - Panels

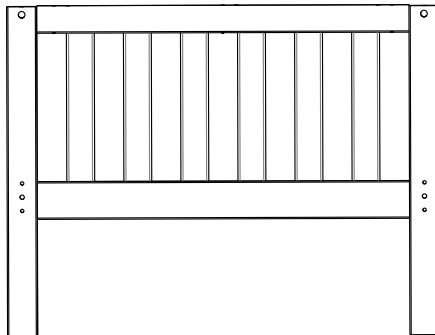
Please check you have all the panels listed below



01 Upper Right Headboard x1
(100,8 x 77,0 x 7,0 cm)



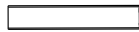
02 Upper Left Headboard x1
(100,8 x 77,0 x 7,0 cm)



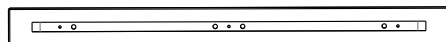
03 Lower Headboard x2
(100,8 x 77,0 x 7,0 cm)



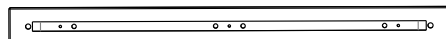
04 Guard rail support x 1
(38,7 x 5,5 x 1,9 cm)



05 Step x 3
(30,6 x 5,5 x 2,8 cm)



06 Upper Top Rails x2
(100,2 x 8,8 x 2,5 cm)



07 Lower Top Rails x2
(100,2 x 8,8 x 2,5 cm)



08 Long guard rail x2
(190,0 x 9,0 x 1,9 cm)



09 Short guard rail x2
(150,0 x 9,0 x 1,9 cm)



10 Front side rail x2
(190,0 x 11,0 x 4,4 cm)



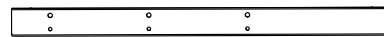
11 Back side rail x2
(190,0 x 11,0 x 4,4 cm)



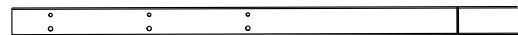
12 Slats x 04
(91,0 x 7,0 x 1,7 cm)



13 Slats x 24
(91,0 x 7,0 x 1,7 cm)



14 Short Ladder Side Rail x1
(89,2 x 6,5 x 2,3 cm)



15 Long Ladder Side Rail
(120,2 x 6,5 x 2,3 cm)

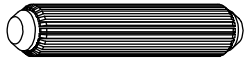
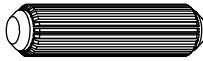


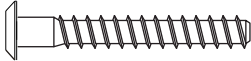
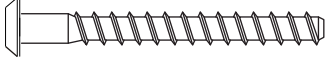

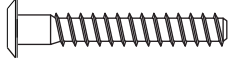




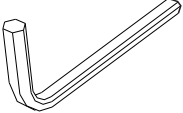
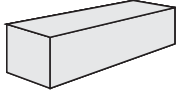



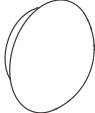


Components - Fittings

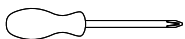
If you have damaged or missing components, call the **Customer Helpline: 03456 400 800**

Please check you have all the fittings listed below

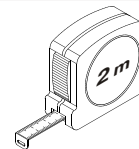
Note: The quantities below are the correct amount to complete the assembly. In some cases more fittings may be supplied than are required.

<p>A </p> <p>10 x 50mm Wooden dowel X 32</p>	<p>B </p> <p>10 x 40mm Wooden dowel X 08</p>	<p>C </p> <p>4 x 35mm Screw X 56</p>
<p>D </p> <p>4 x 30mm Screw X 03</p>	<p>E </p> <p>7 x 70 x 13mm Bolt X 12</p>	<p>F </p> <p>7 x 100 x 17mm Bolt X 14</p>
<p>G </p> <p>1/4 x 110mm x 17 Bolt X 8</p>	<p>H </p> <p>7 x 60 x 17mm Bolt X 12</p>	<p>I </p> <p>Half Moon nut X08</p>
<p>J </p> <p>Metal Pin X04</p>	<p>K </p> <p>Barrel nut X08</p>	<p>L </p> <p>Connector Bolt X8</p>
<p>M </p> <p>Allen Key X1</p>	<p>N </p> <p>Spacer 69mm X2</p>	<p>O </p> <p>Plastic Cap Ø 16 X12</p>
<p>P </p> <p>Plastic Cap Ø10 X20</p>	<p>Q </p> <p>Plastic Cap Ø8 X12</p>	<p>R </p> <p>Plastic Cap Ø17 X30</p>

Tools required



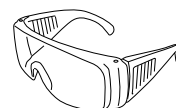
Phillips screwdriver
(medium & large)



Ruler/tape
measure



Small
hammer



Eye protection
(when using a
hammer)

Ruler - Use this ruler to help correctly identify the screws

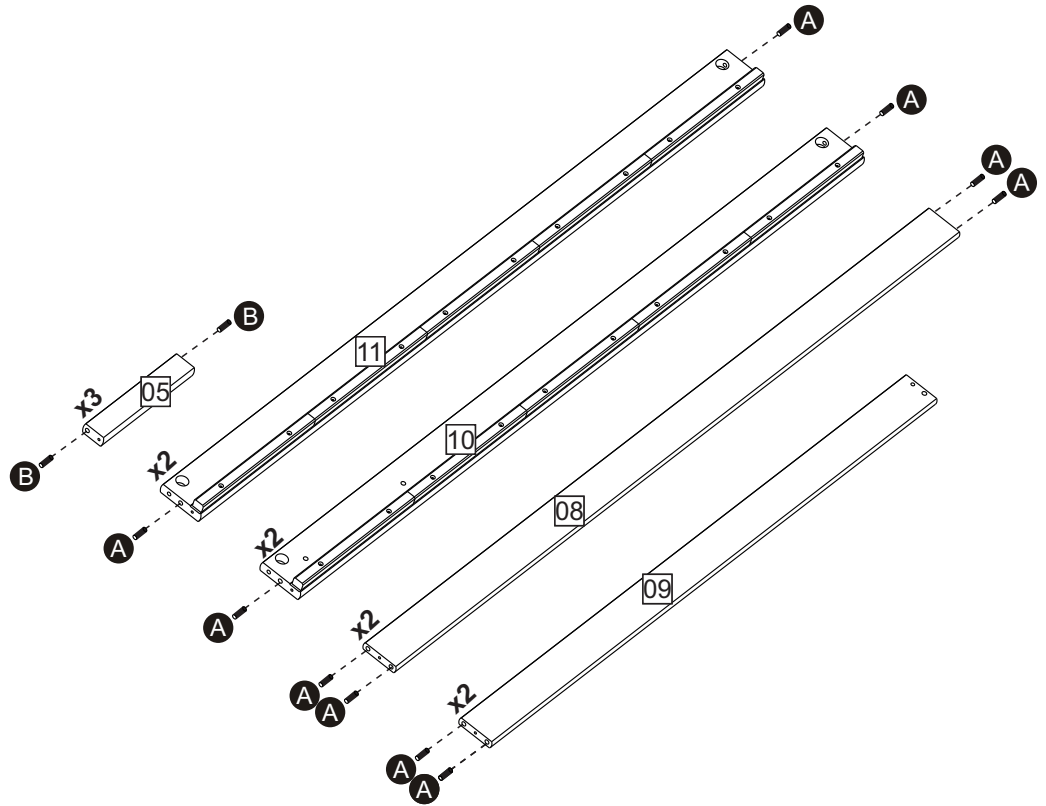


Assembly Instructions

Step 1

Inserting wooden dowels

Insert wooden dowels **A** and wooden dowels **B** into the indicated parts.



Step 2

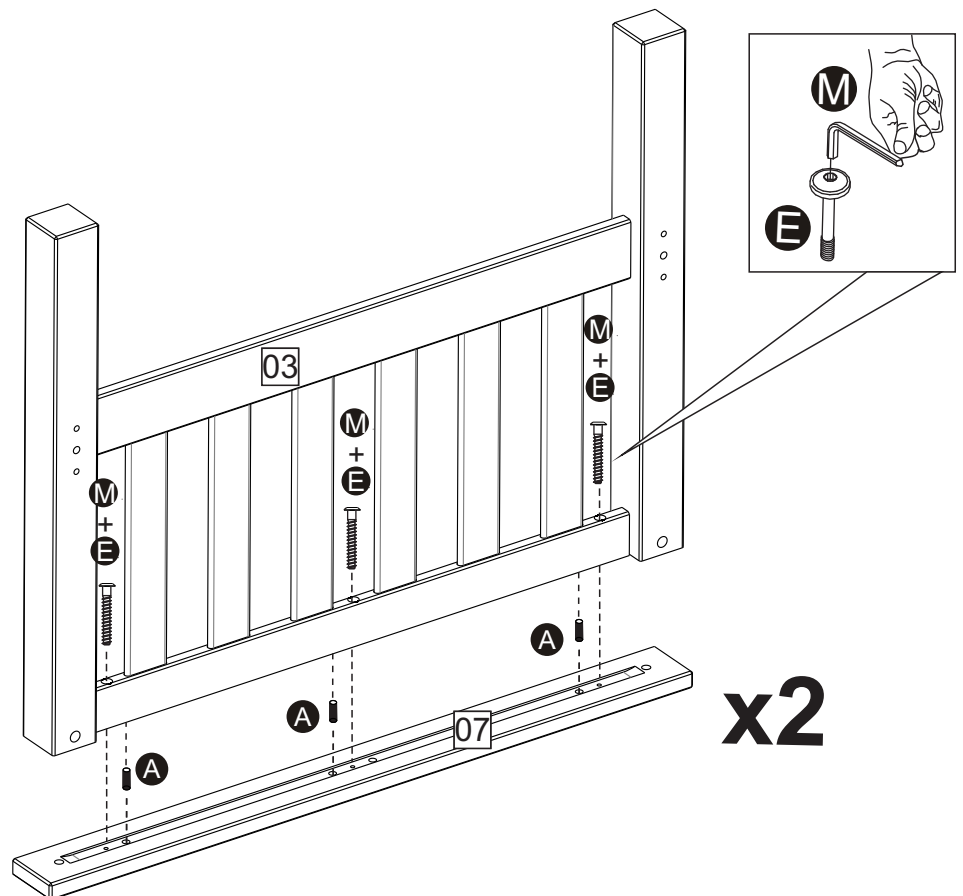
Fitting top rails

Insert wooden dowels **A** into Lower headboard **3** as shown.

Fix Lower top rail **7** to Lower headboard **3** using bolt **E** and allen key **M**, as shown.

Do not over tighten screws

Repeat step 2 for the other lower headboard.



Assembly Instructions

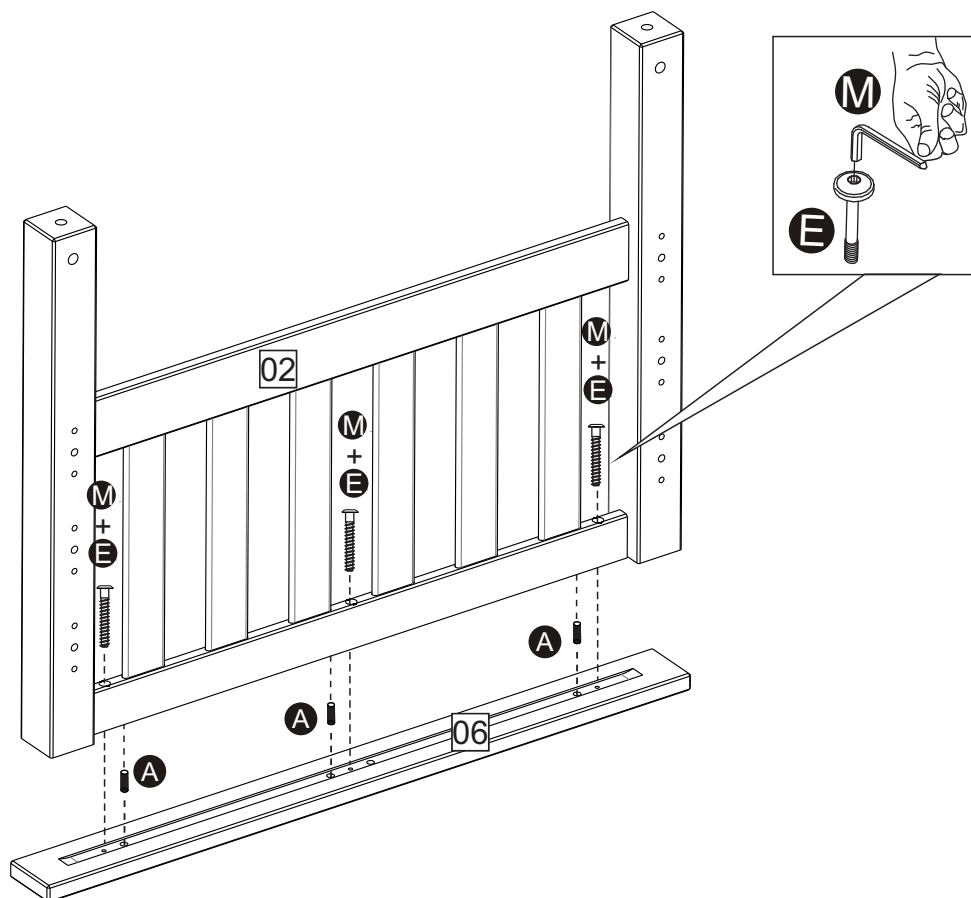
Step 3

Fitting top rails

Insert wooden dowels **A** into upper top rail **6**, as shown.

Fix upper left headboard **2** to upper top rail **6** using bolt **E** and allen key **M**, as shown.

Do not over tighten screws



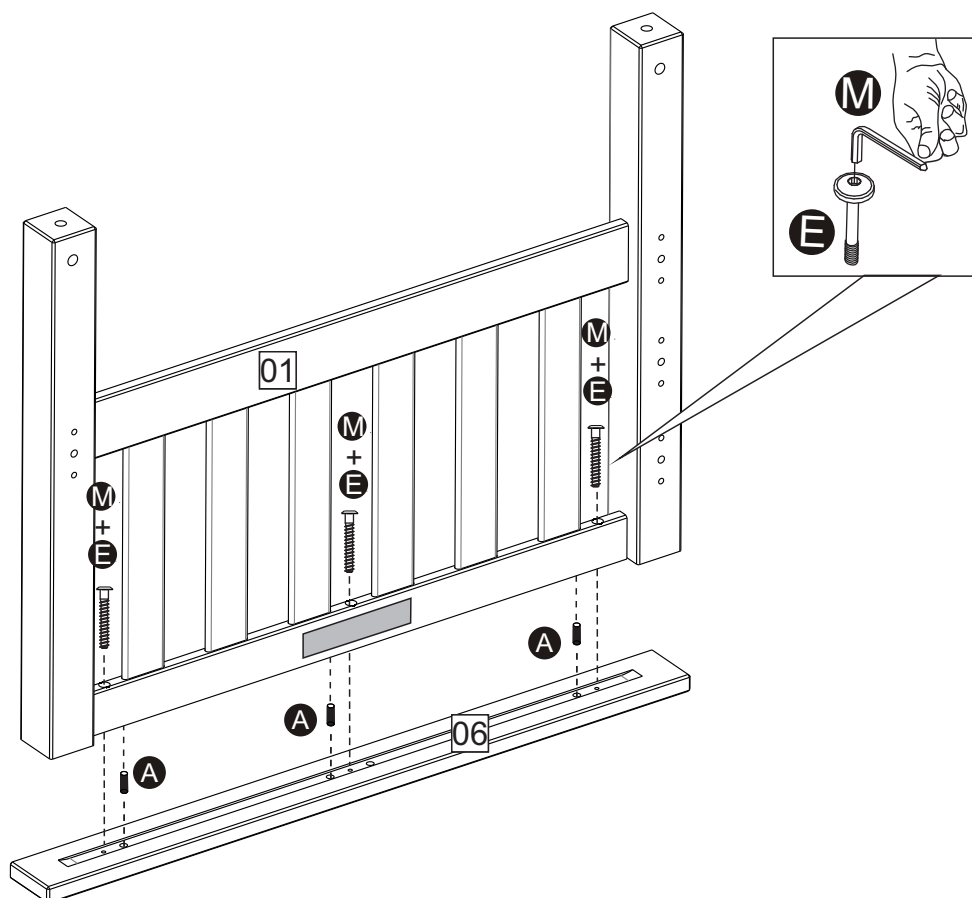
Step 4

Fitting top rails

Insert wooden dowels **A** into upper right headboard **1**, as shown.

Fix upper right headboard **1** to upper top rail **6** using bolt **E** and allen key **M**, as shown.

Do not over tighten screws



Assembly Instructions

Step 5


Fixing side rails

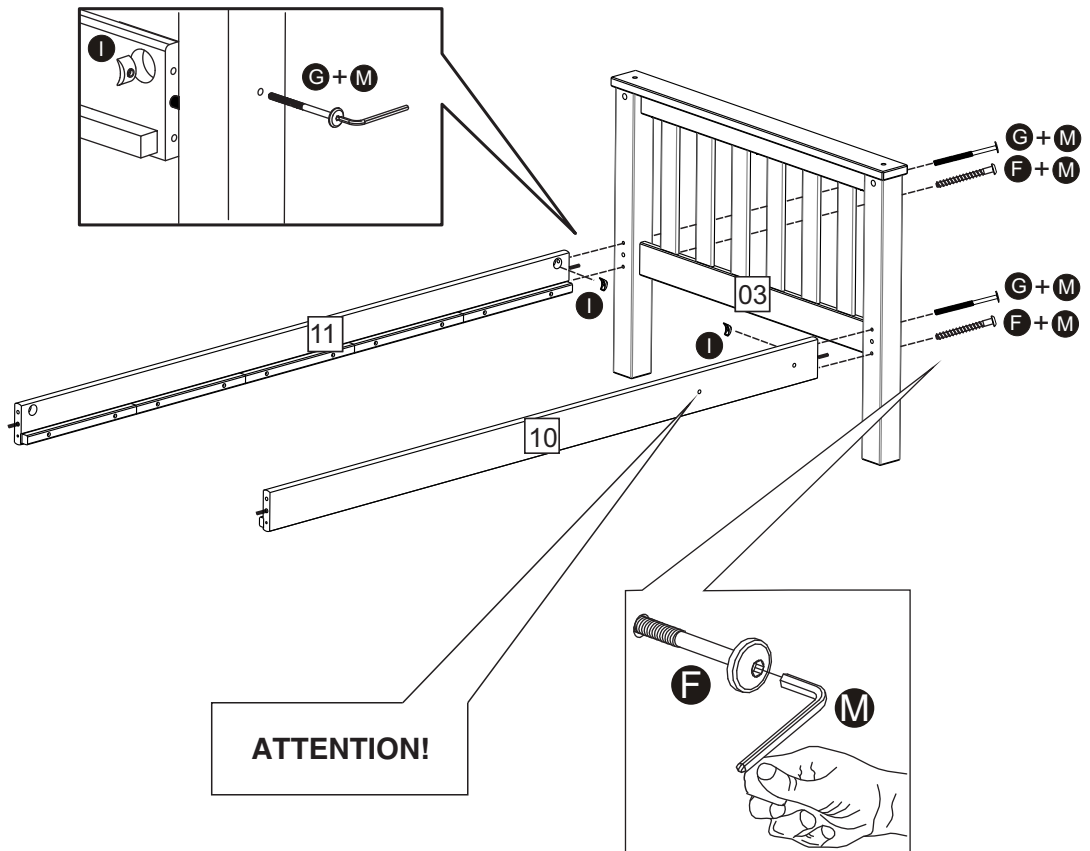
Attention

From this step are, two people are required for an easier assembly.

Insert half moon nuts **L** into side rails, as shown.

With help, fix front side rail **10** and back side rail **11** to Lower headboard **3** using bolt **F** and **G** and allen key **M**, as shown.

 Make sure front side rail **10** is positioned as shown in the diagram.

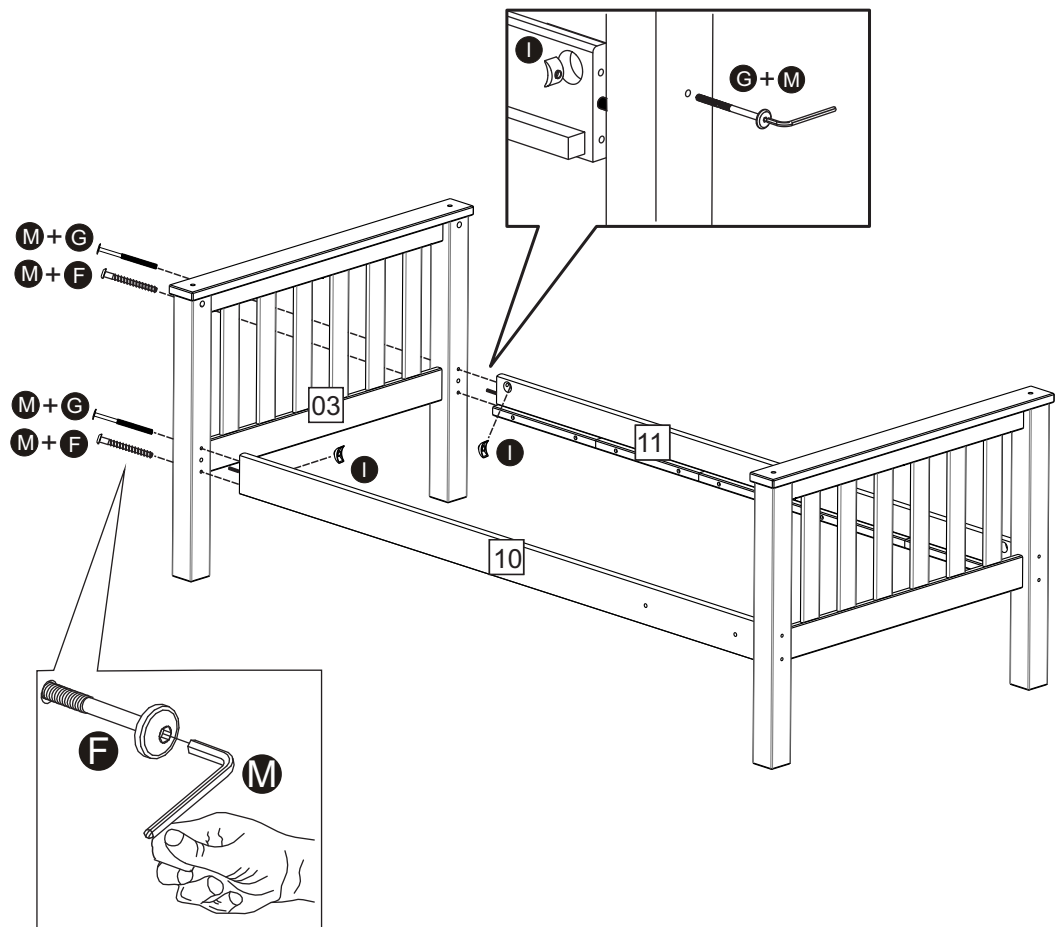


Step 6

Fixing lower headboard

Insert half moon nuts **L** into side rails, as shown.

With help, fix front side rail **10** and front side rail **11** to lower headboard **3** using bolt **F** and **G** and allen key **M**, as shown.




Assembly Instructions


Step 7

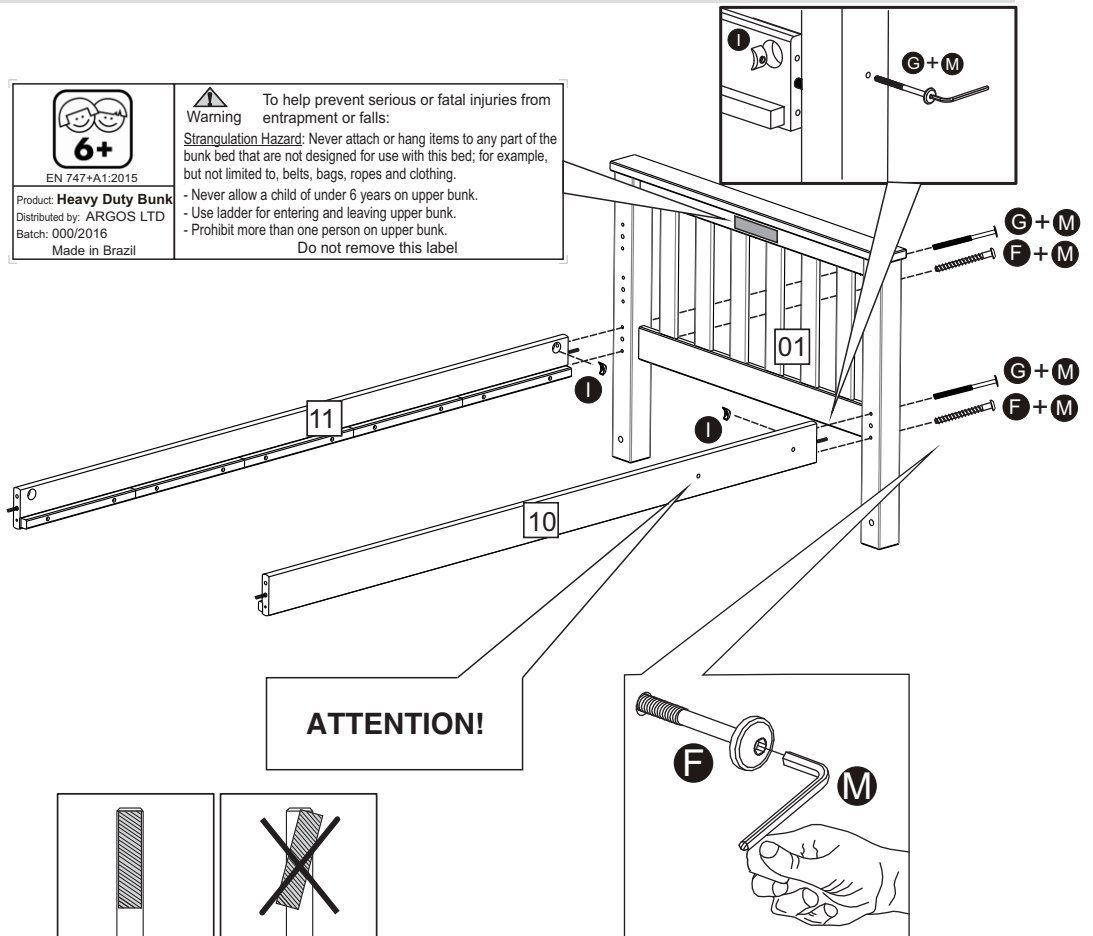
Fixing side rails

Insert half moon nuts **L** into side rails, as shown.

With help, fix front side rail **10** and back side rail **11** to upper right headboard using bolt **F** and **G** and allen key **M**, as shown.

 Make sure front side rail **10** is positioned as shown in the diagram.

 EN 747+A1:2015	<p>Warning To help prevent serious or fatal injuries from entrapment or falls:</p> <p>Strangulation Hazard: Never attach or hang items to any part of the bunk bed that are not designed for use with this bed; for example, but not limited to, belts, bags, ropes and clothing.</p> <p>- Never allow a child of under 6 years on upper bunk. - Use ladder for entering and leaving upper bunk. - Prohibit more than one person on upper bunk.</p> <p style="text-align: center;">Do not remove this label</p>
Product: Heavy Duty Bunk Distributed by: ARGOS LTD Batch: 000/2016 Made in Brazil	




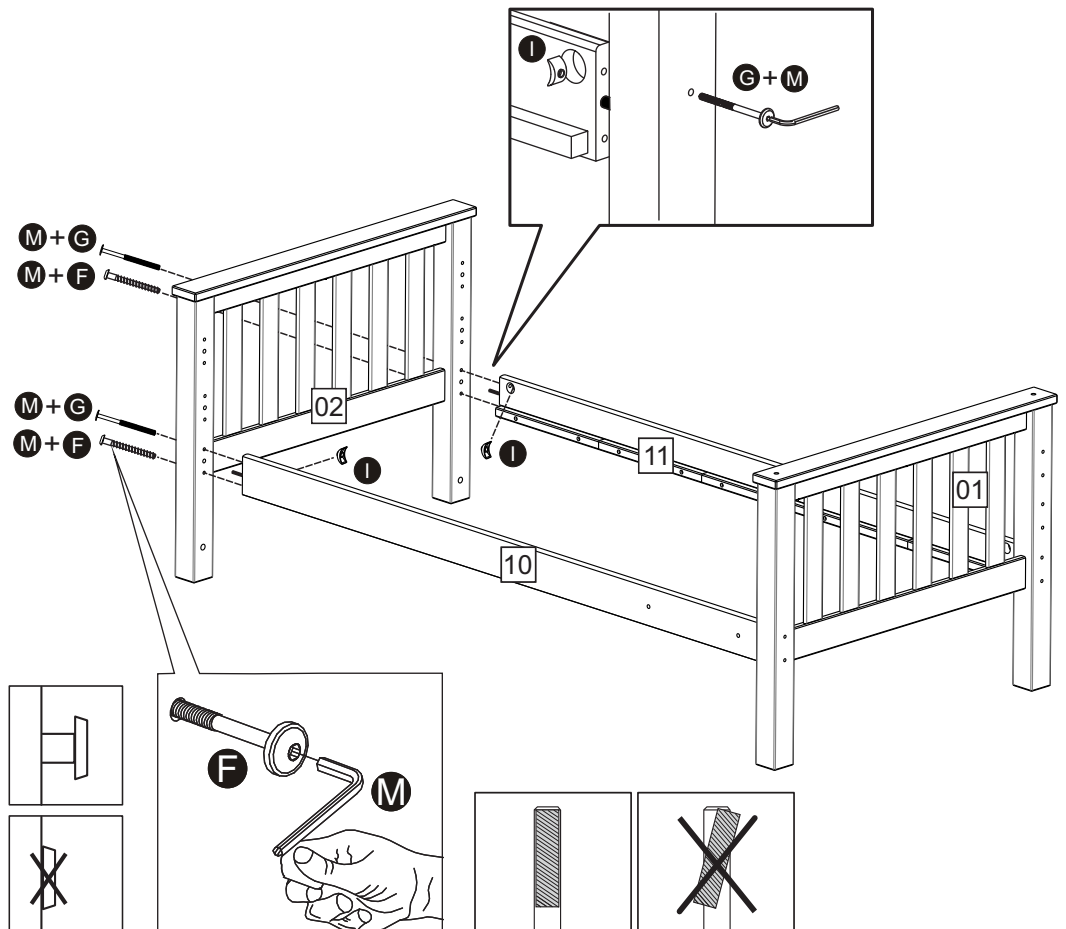
Step 8

Fixing upper left headboard

Insert half moon nuts **L** into side rails, as shown.

With help, fix front side rail **10** and back side rail **11** to upper left headboard **2** using bolt **F** and **G** and allen key **M**, as shown.

 **Attention:**
Do not fully tight screws.

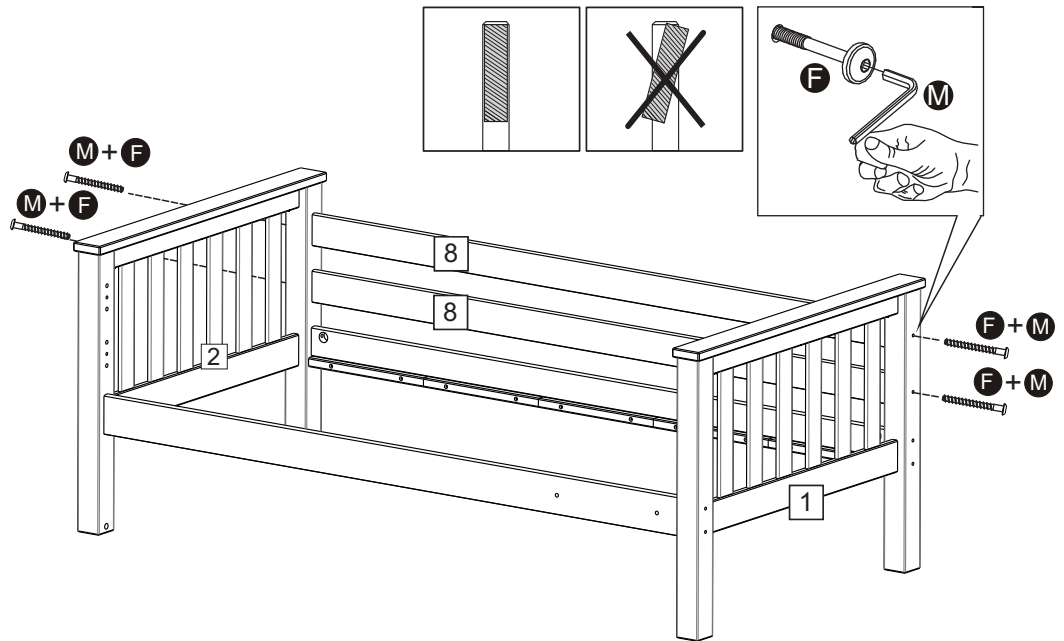


Assembly Instructions

Step 9

Fixing long guard rails

Fix long guard rail **8** to upper right headboard **1** and upper left headboard **2** using screws **F** and allen key **M**.



Step 10

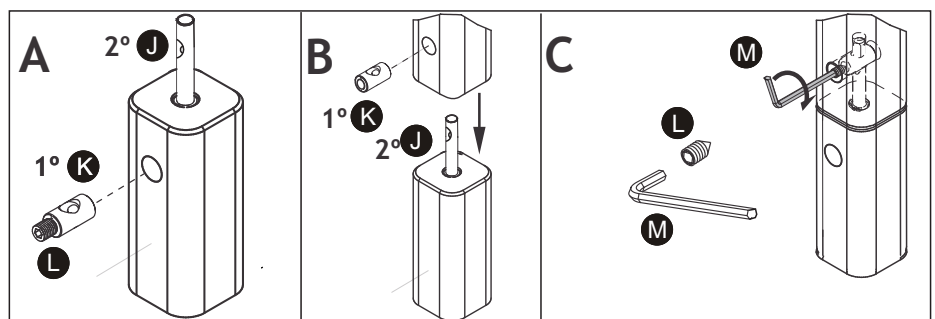
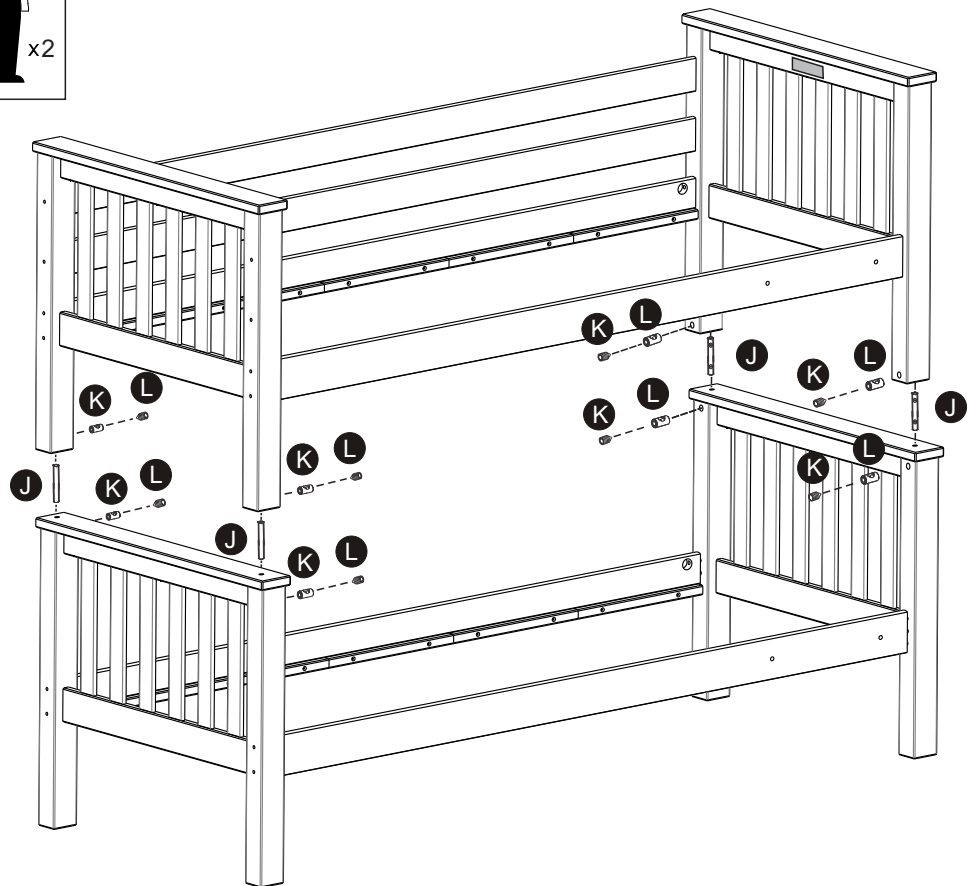
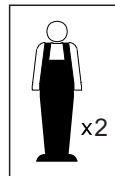
Fitting upper bed

Two people are required for this step

Insert barrel nut **K** and connector bolt **L** into the Lower bed. Then, insert metal pin **J** into the Lower bed, as shown.

Insert barrel nut **K** into upper bed. Then, with care, attach the two beds through metal pin, as shown.

Fix the two beds using connector bolt **L** and allen key **M**, as shown.



Assembly Instructions

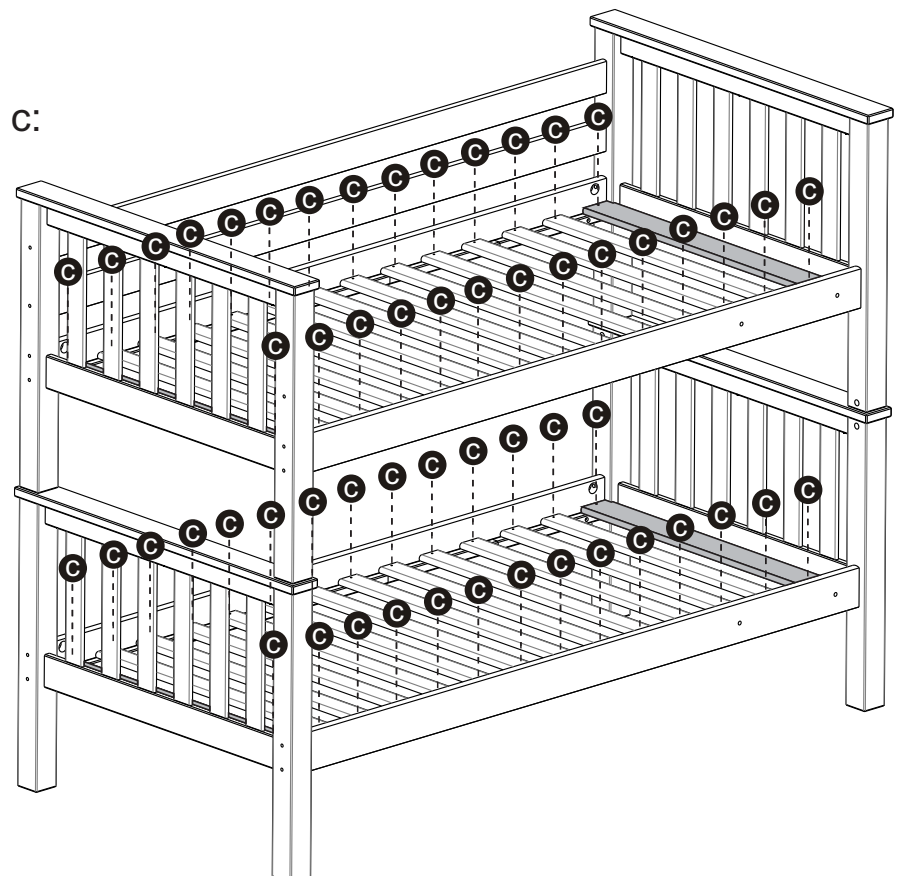
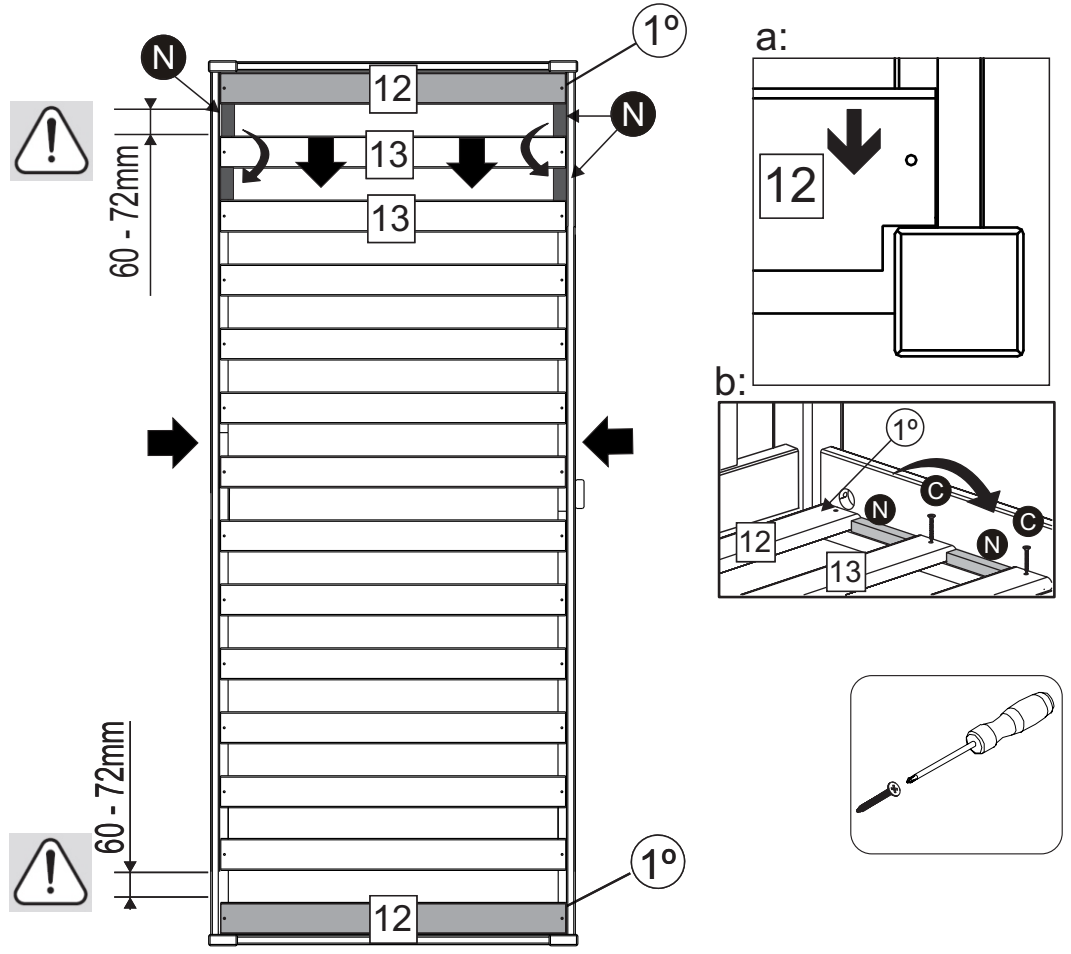
Step 11

Fixing slats

Firstly, fix slats **12** on both ends of the rails using screws **C**, as shown.

Using Spacer **N**, place slats **13** working towards the middle of the bed, as shown.

Fix on the side first, using screws **C**, then fix other side by pushing the rail against the slats if necessary.



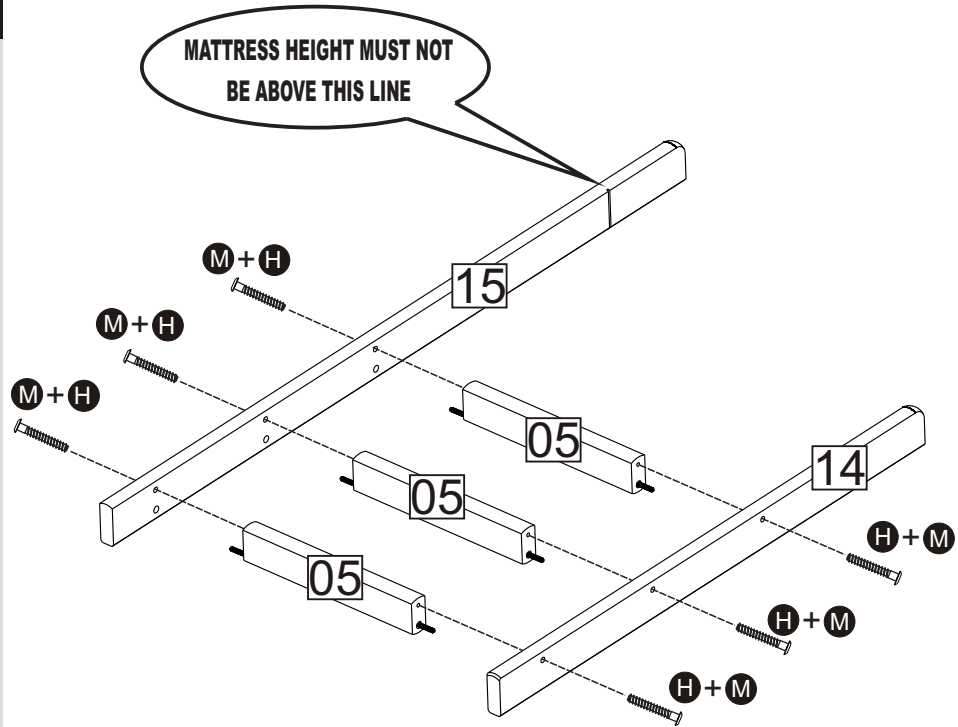
Assembly Instructions

Step 12

Attaching ladder

Fit steps **5** to short ladder side rail **14** and long ladder side rail **15**.

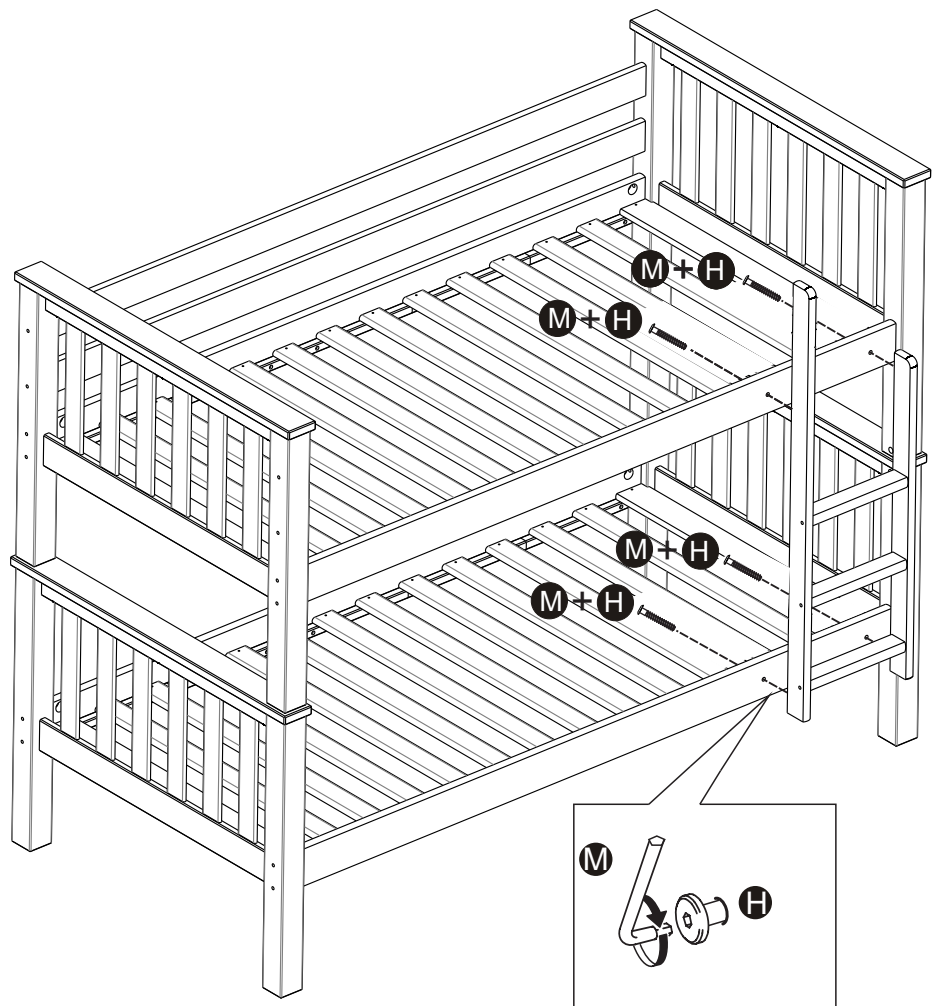
Fix steps to the rail using bolt **H** and allen key **M**.



Step 13

Fixing ladder

Fix ladder to the side rails using bolt **H** and allen key **M**, as shown.



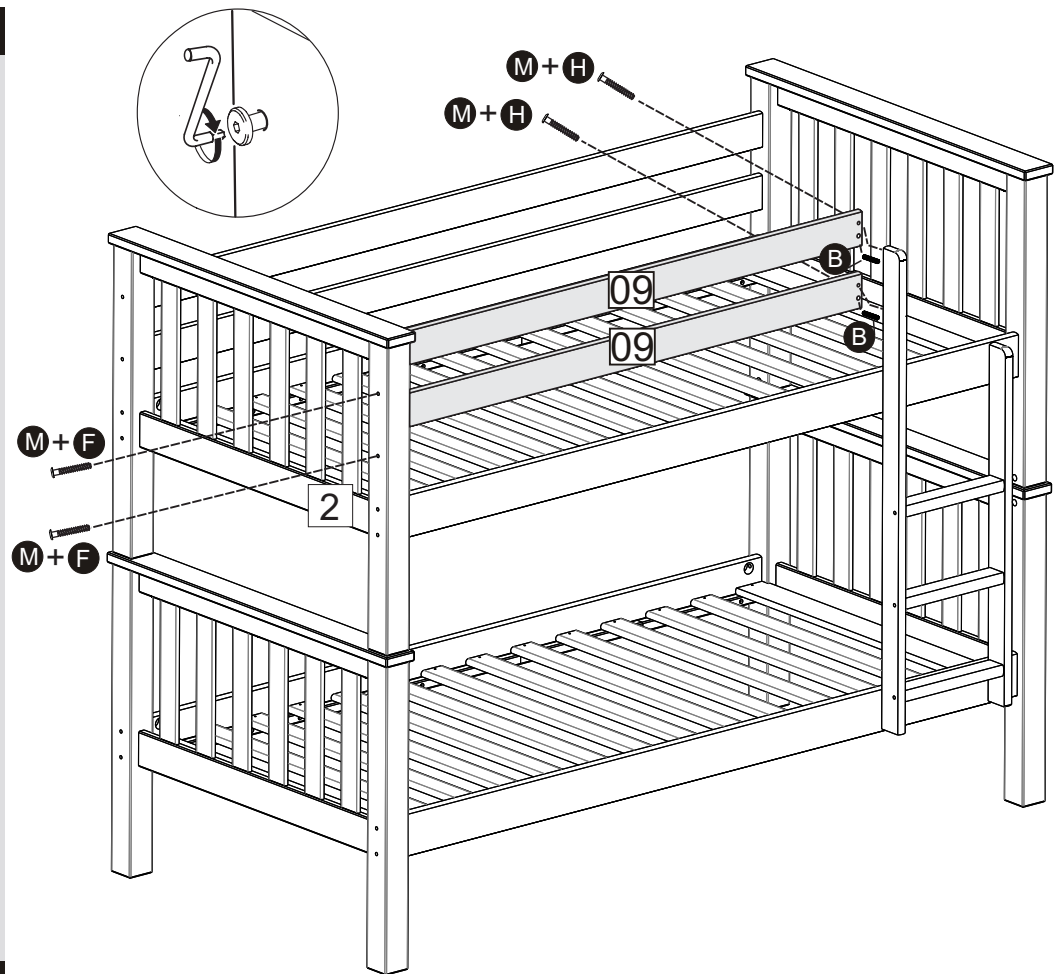
Assembly Instructions

Step 14

Fixing short guard rail

Attach wooden dowels **B** to the indicated holes of the ladder, as shown.

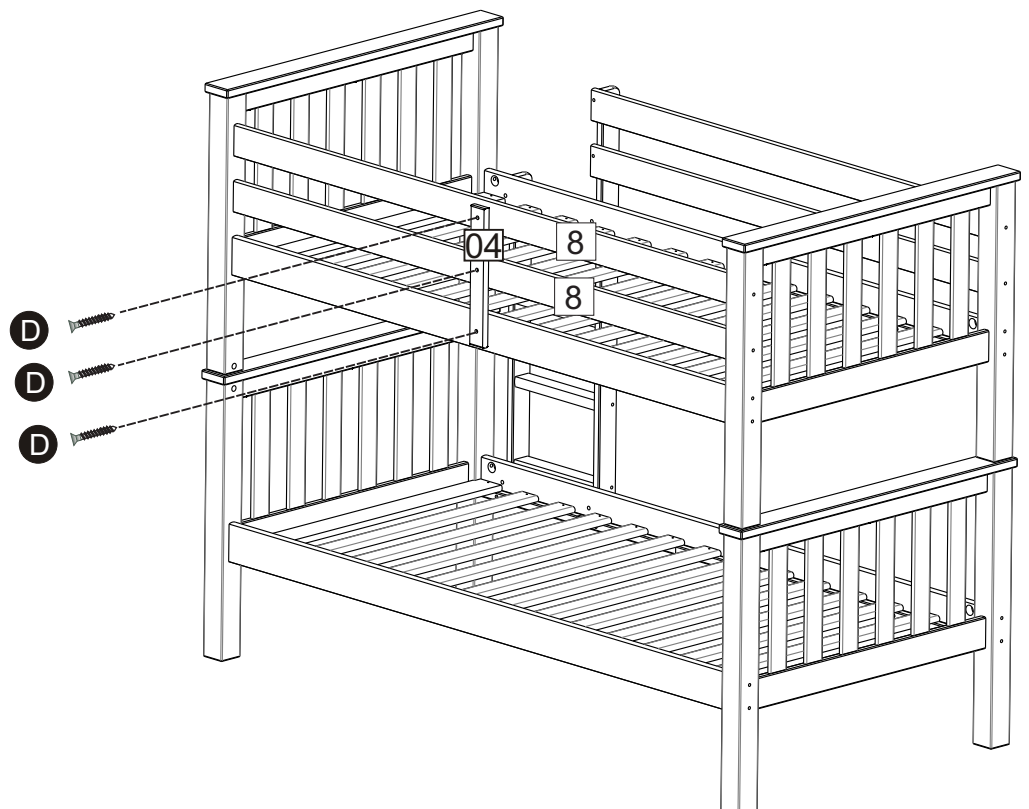
Fix short guard rails **9** to upper left headboard **2** using bolt **F** and allen key **M**, and to the ladder using bolt **H** and allen key **M**.



Step 15

Fixing guard rail support

Fix guard rail support **4** to long guard rails **8** and side rail using screws **D**, as shown.

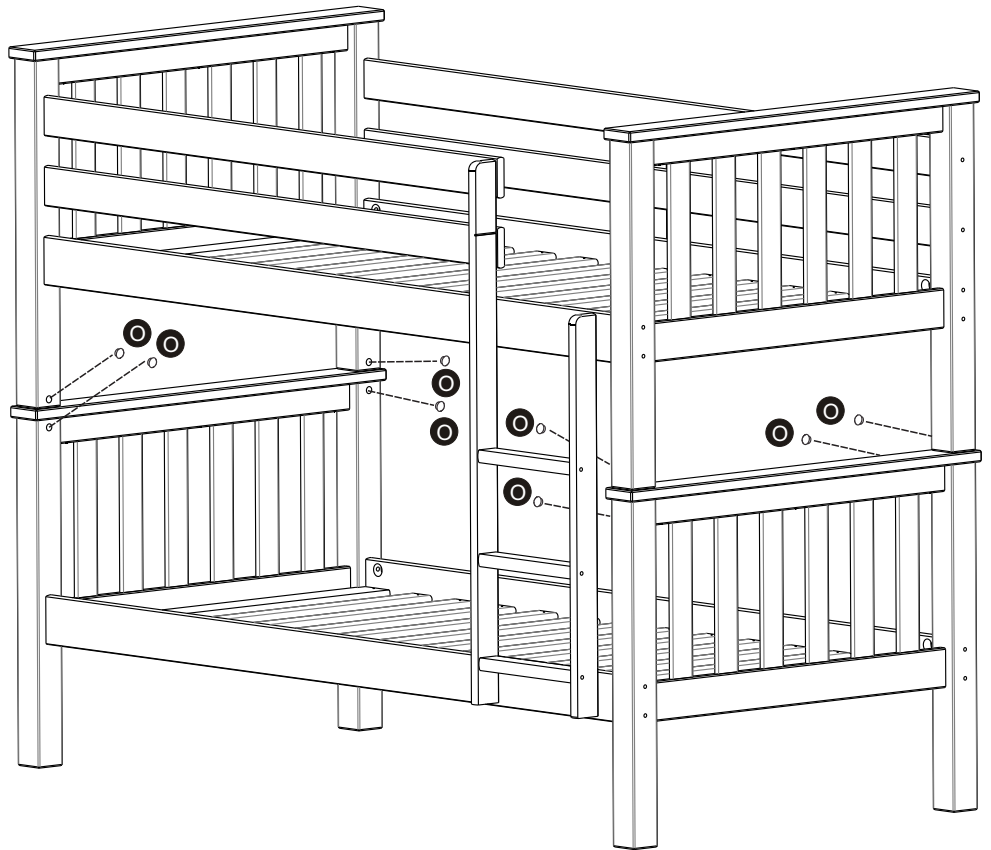


Assembly Instructions

Step 16

Attaching plastic caps

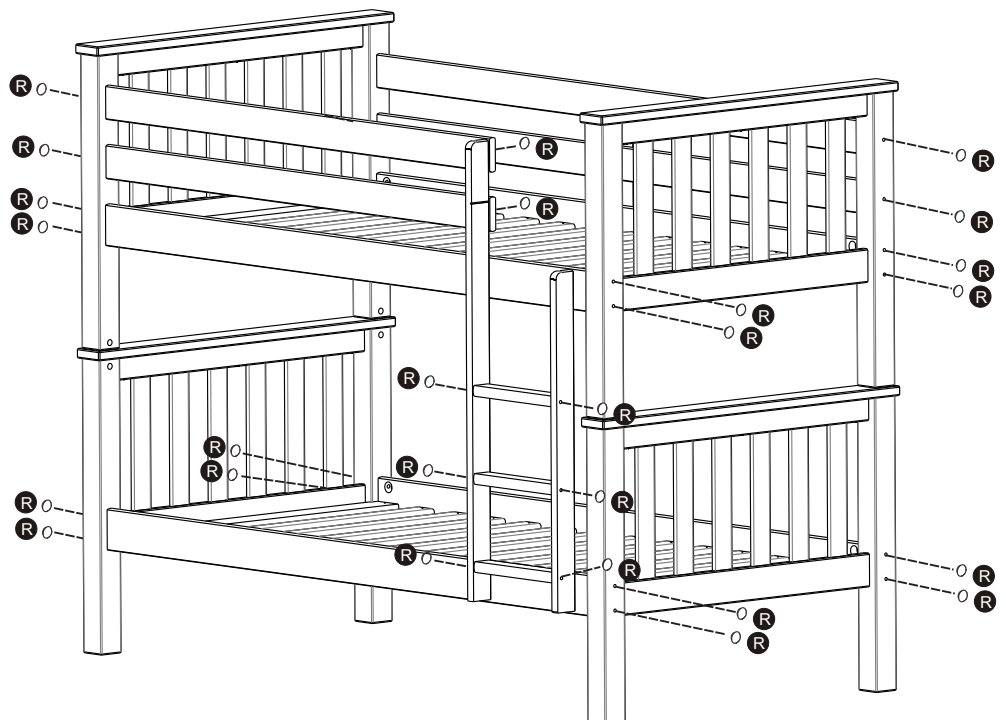
Fit plastic caps **Ⓞ** into the indicated holes on both upper and lower beds, as shown.



Step 17

Attaching plastic caps

Fit plastic caps **Ⓡ** into the indicated holes on both upper and lower beds, as shown.



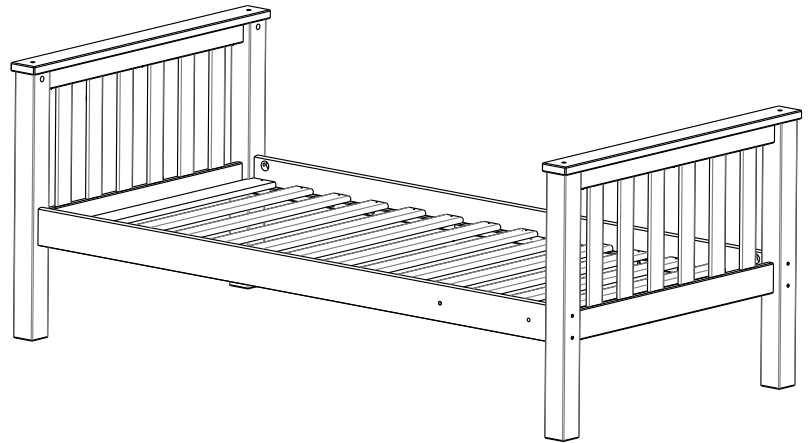
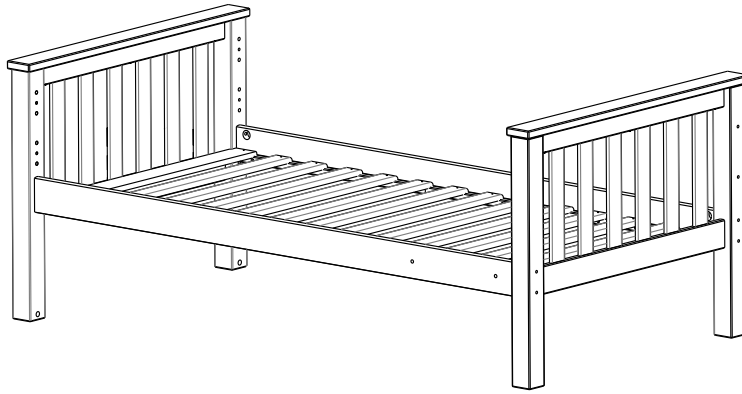
Assembly Instructions

Step 18

Turning bunk bed into two single beds

Detach ladder from the bunk bed and remove the upper bed from top of the lower bed.

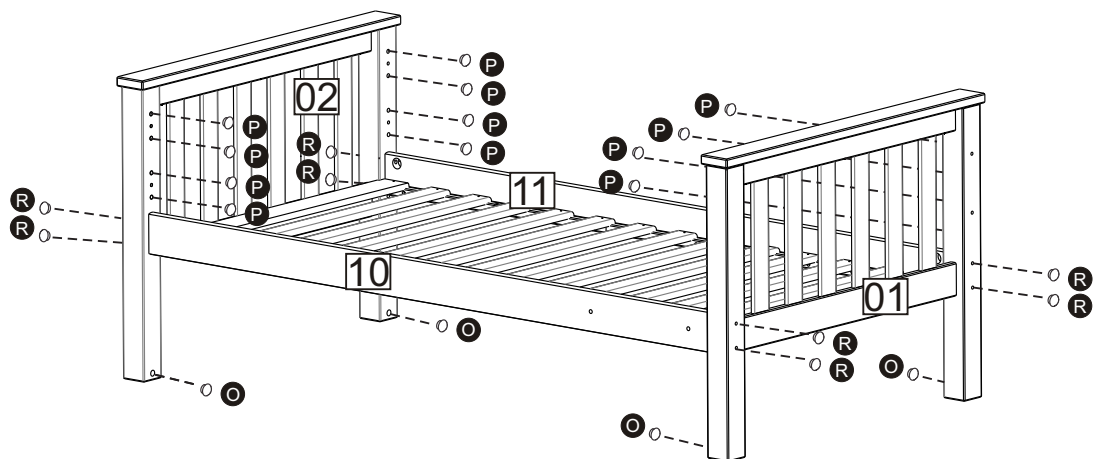
Detach guard rails from the upper bed.



Step 19

Attaching plastic caps

Fit plastic caps **R**, **P**, and **O** into the indicated holes, as shown,

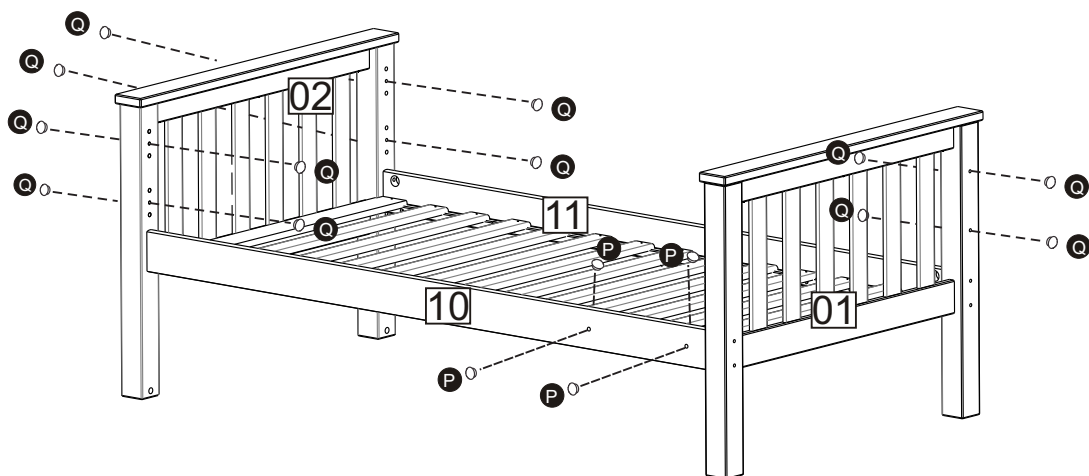


Assembly Instructions

Step 20

Attaching plastic caps

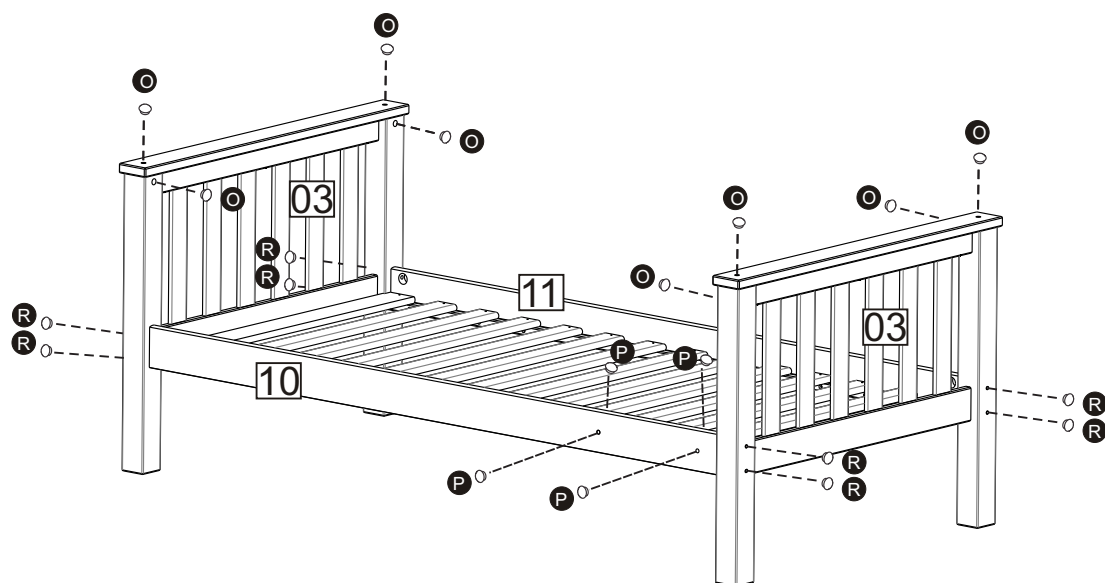
Fit plastic caps **Q** and **P** into the indicated holes, as shown.



Step 21

Attaching plastic caps

Fit plastic caps **R**, **O**, and **P** into the indicated holes, as shown.



Assembly is complete.