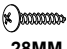


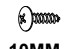


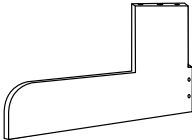


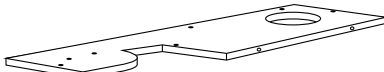
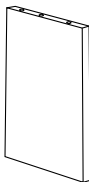

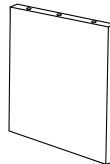
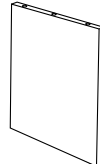
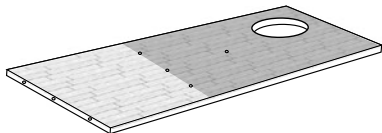
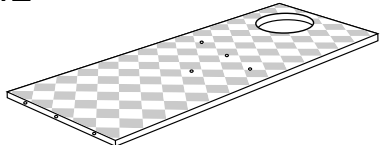
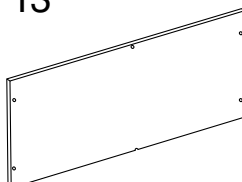
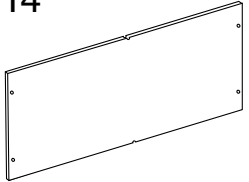
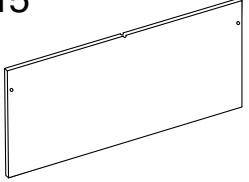

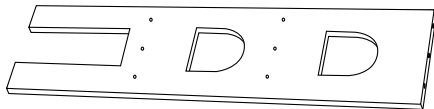
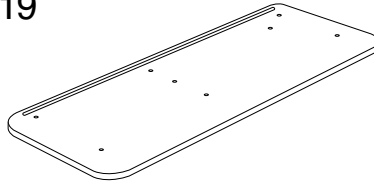
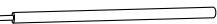
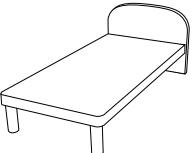
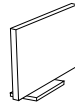

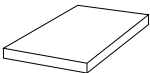

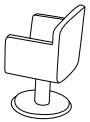











# Wooden Fire and Police Station Instruction Sheet

Please check components prior to assembly and match the numbers & letters for each component with assembly diagrams.

Screws for assembly A  x26 28MM B  x13 19MM C  x28 D  x1 10MM		1 	2 	3 	4 	5 	6 					
7 	8 	9 	10 	11 	12 							
13 	14 	15 	16 	18 	19 							
			17 									
20 	21 	22 	23  x2	24  x8	25  x3	26 	27 	28 	29 	30 	31 	32 

### ATTENTION!

- The sharp tip of screws may scratch hands.
- Tighten all the screws before giving this toy to a child.
- Do not OVER tighten screws.
- Electric screwdrivers should NOT be used for assembly.
- Please be sure to remove packaging, all rubber bands, wire ties and tags or fastenings from the toy. They are not part of this toy and must be removed and discarded before giving it to your child.

Please keep this packaging for future reference since it contains important information. Adult assembly required. Please read enclosed instructions before use. **SPECIFICATIONS, COLOURS AND CONTENTS MAY VARY FROM ILLUSTRATIONS.** Young children in play are unaware of potential dangers and hazards, therefore responsible adult supervision is essential.



MADE IN CHINA.  
PRODUCED FOR CHAD VALLEY TOYS:  
Argos Limited, 489-499 Avebury Boulevard,  
Central Milton Keynes, MK9 2NW  
Visit [www.argos.co.uk/chadvalley](http://www.argos.co.uk/chadvalley)

### CUSTOMER SERVICE

Missing or damaged screws & fixings will be sent out free of charge, please contact us at [customerservice@jupitertoy.com](mailto:customerservice@jupitertoy.com)

**CAUTION:** Product should be used only for purpose for which it was designed. Children should not stand or climb on product.



### WARNING:

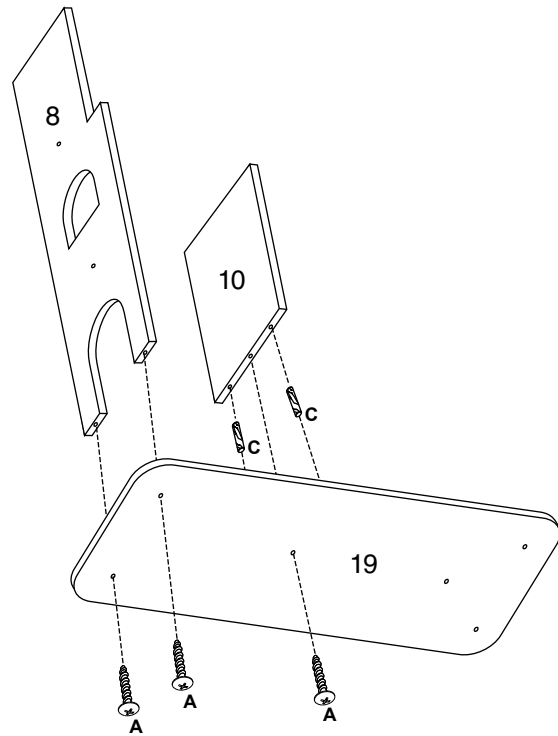
**CHOKING HAZARD - Small parts.**  
Not for children under 3 years.  
Adult assembly required.

Item Code: 5422504

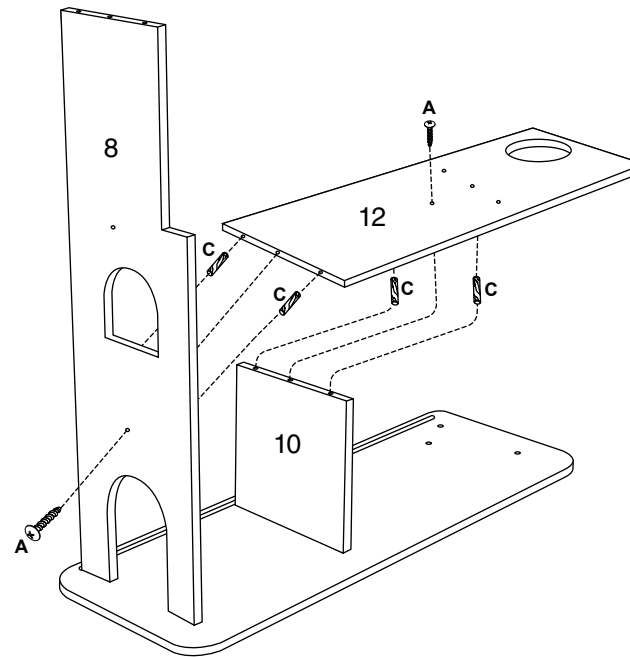


# Wooden Fire and Police Station Instruction Sheet

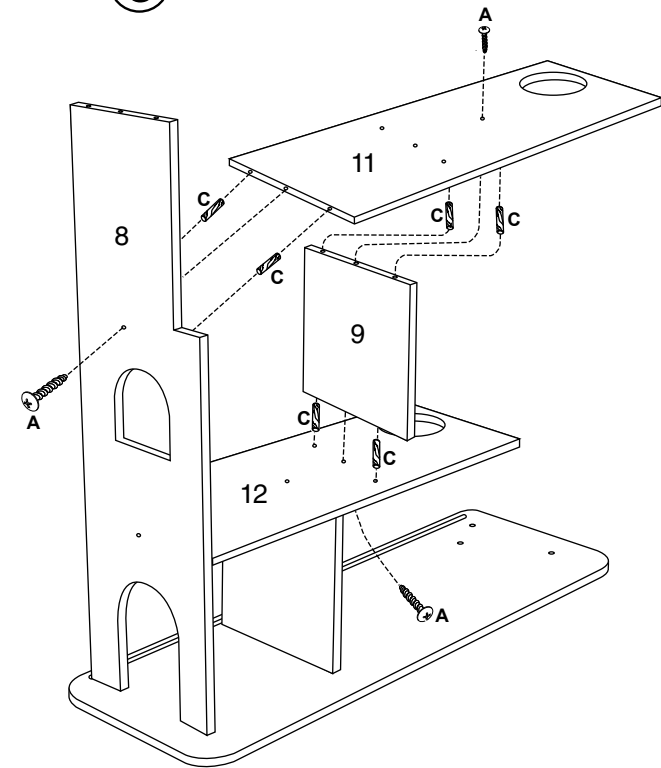
1



2



3



### ATTENTION!

- The sharp tip of screws may scratch hands.
- Tighten all the screws before giving this toy to a child.
- Do not OVER tighten screws.
- Electric screwdrivers should NOT be used for assembly.
- Please be sure to remove packaging, all rubber bands, wire ties and tags or fastenings from the toy. They are not part of this toy and must be removed and discarded before giving it to your child.

Please keep this packaging for future reference since it contains important information. Adult assembly required. Please read enclosed instructions before use. **SPECIFICATIONS, COLOURS AND CONTENTS MAY VARY FROM ILLUSTRATIONS.** Young children in play are unaware of potential dangers and hazards, therefore responsible adult supervision is essential.



MADE IN CHINA.  
 PRODUCED FOR CHAD VALLEY TOYS:  
 Argos Limited, 489-499 Avebury Boulevard,  
 Central Milton Keynes, MK9 2NW  
 Visit [www.argos.co.uk/chadvalley](http://www.argos.co.uk/chadvalley)

### CUSTOMER SERVICE

Missing or damaged screws & fixings will be sent out free of charge, please contact us at [customerservice@jupitertoy.com](mailto:customerservice@jupitertoy.com)

**CAUTION:** Product should be used only for purpose for which it was designed. Children should not stand or climb on product.



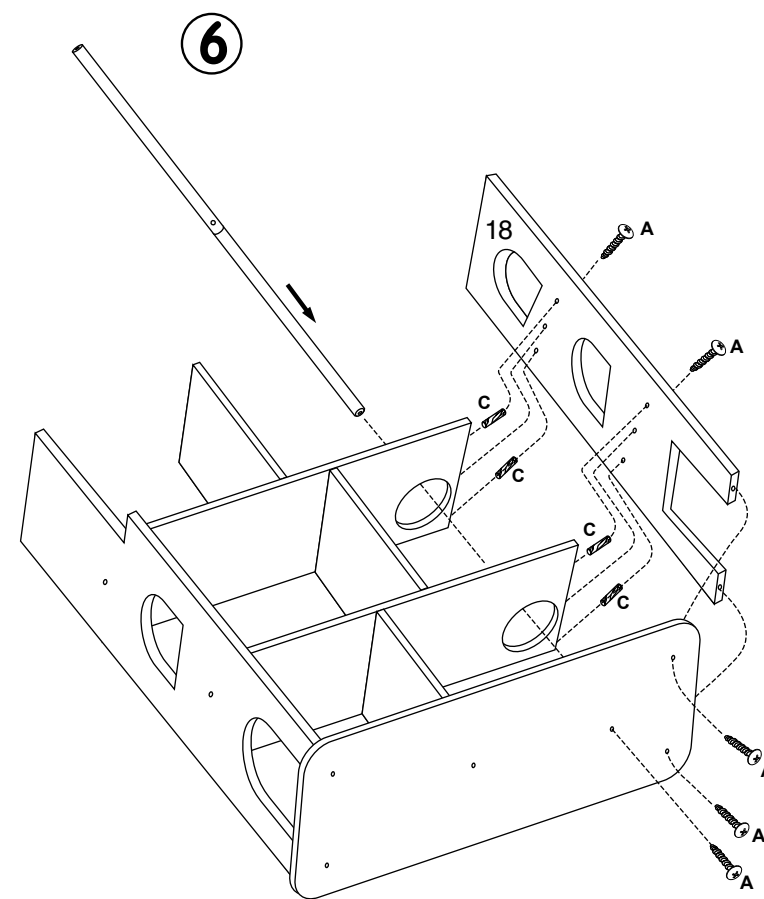
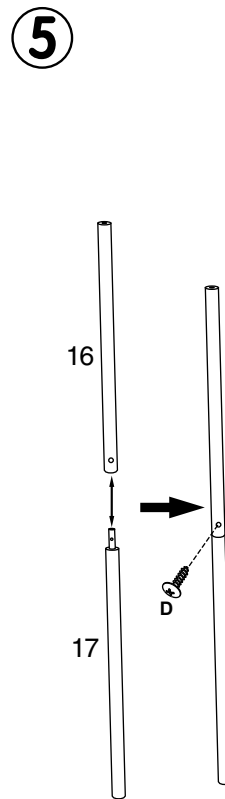
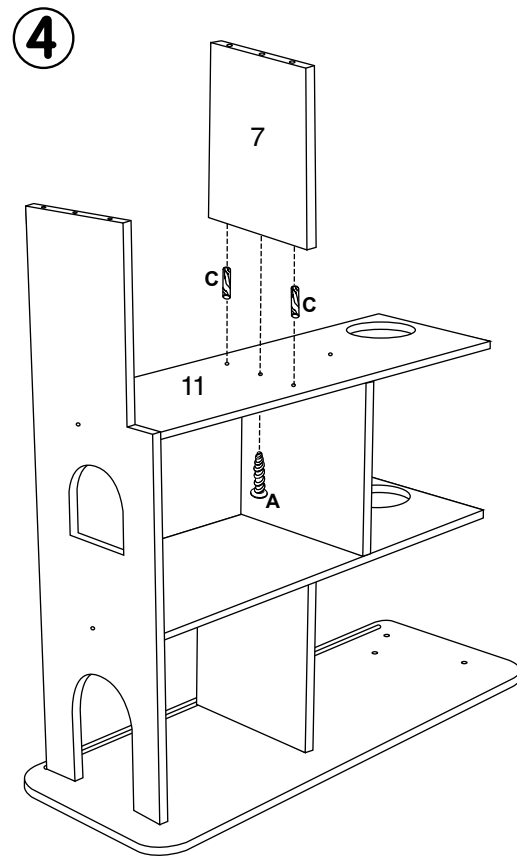
### WARNING:

**CHOKING HAZARD - Small parts.**  
 Not for children under 3 years.  
 Adult assembly required.

Item Code: 5422504



# Wooden Fire and Police Station Instruction Sheet



### ATTENTION!

- The sharp tip of screws may scratch hands.
- Tighten all the screws before giving this toy to a child.
- Do not OVER tighten screws.
- Electric screwdrivers should NOT be used for assembly.
- Please be sure to remove packaging, all rubber bands, wire ties and tags or fastenings from the toy. They are not part of this toy and must be removed and discarded before giving it to your child.

Please keep this packaging for future reference since it contains important information. Adult assembly required. Please read enclosed instructions before use. **SPECIFICATIONS, COLOURS AND CONTENTS MAY VARY FROM ILLUSTRATIONS.** Young children in play are unaware of potential dangers and hazards, therefore responsible adult supervision is essential.



MADE IN CHINA.  
 PRODUCED FOR CHAD VALLEY TOYS:  
 Argos Limited, 489-499 Avebury Boulevard,  
 Central Milton Keynes, MK9 2NW  
 Visit [www.argos.co.uk/chadvalley](http://www.argos.co.uk/chadvalley)

### CUSTOMER SERVICE

Missing or damaged screws & fixings will be sent out free of charge, please contact us at [customerservice@jupitertoy.com](mailto:customerservice@jupitertoy.com)

**CAUTION:** Product should be used only for purpose for which it was designed. Children should not stand or climb on product.



### WARNING:

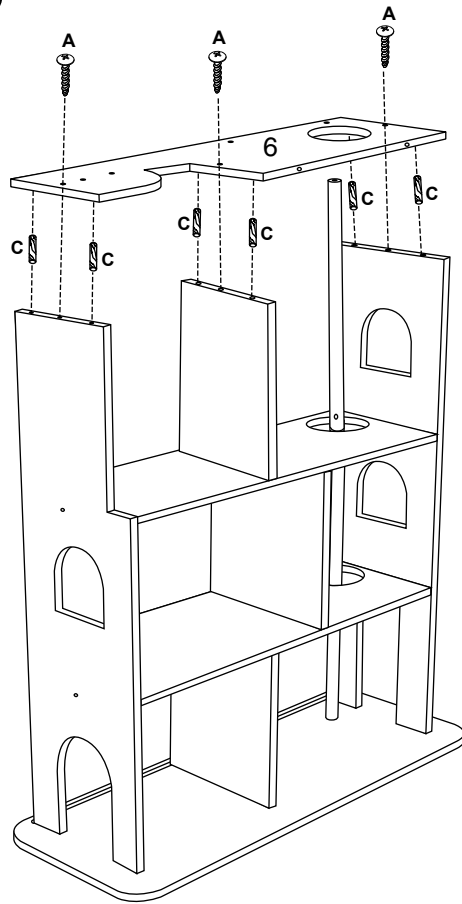
**CHOKING HAZARD - Small parts.**  
 Not for children under 3 years.  
 Adult assembly required.

Item Code: 5422504

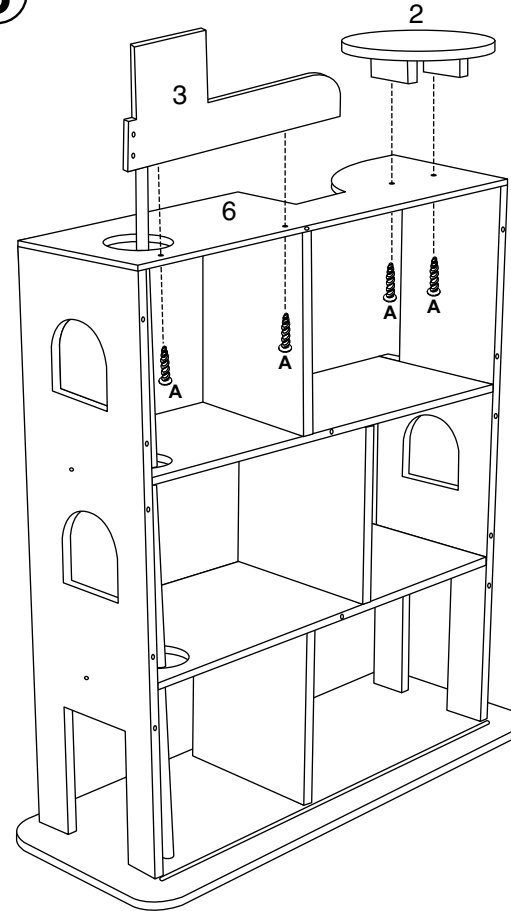


# Wooden Fire and Police Station Instruction Sheet

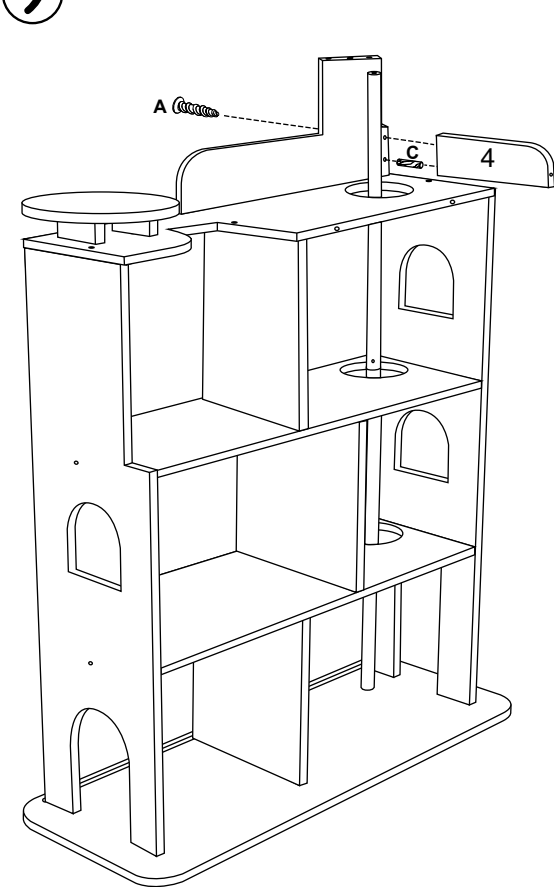
7



8



9



### ATTENTION!

- The sharp tip of screws may scratch hands.
- Tighten all the screws before giving this toy to a child.
- Do not OVER tighten screws.
- Electric screwdrivers should NOT be used for assembly.
- Please be sure to remove packaging, all rubber bands, wire ties and tags or fastenings from the toy. They are not part of this toy and must be removed and discarded before giving it to your child.

Please keep this packaging for future reference since it contains important information. Adult assembly required. Please read enclosed instructions before use. **SPECIFICATIONS, COLOURS AND CONTENTS MAY VARY FROM ILLUSTRATIONS.** Young children in play are unaware of potential dangers and hazards, therefore responsible adult supervision is essential.



MADE IN CHINA.  
 PRODUCED FOR CHAD VALLEY TOYS:  
 Argos Limited, 489-499 Avebury Boulevard,  
 Central Milton Keynes, MK9 2NW  
 Visit [www.argos.co.uk/chadvalley](http://www.argos.co.uk/chadvalley)

### CUSTOMER SERVICE

Missing or damaged screws & fixings will be sent out free of charge, please contact us at [customerservice@jupitertoy.com](mailto:customerservice@jupitertoy.com)

**CAUTION:** Product should be used only for purpose for which it was designed. Children should not stand or climb on product.



### WARNING:

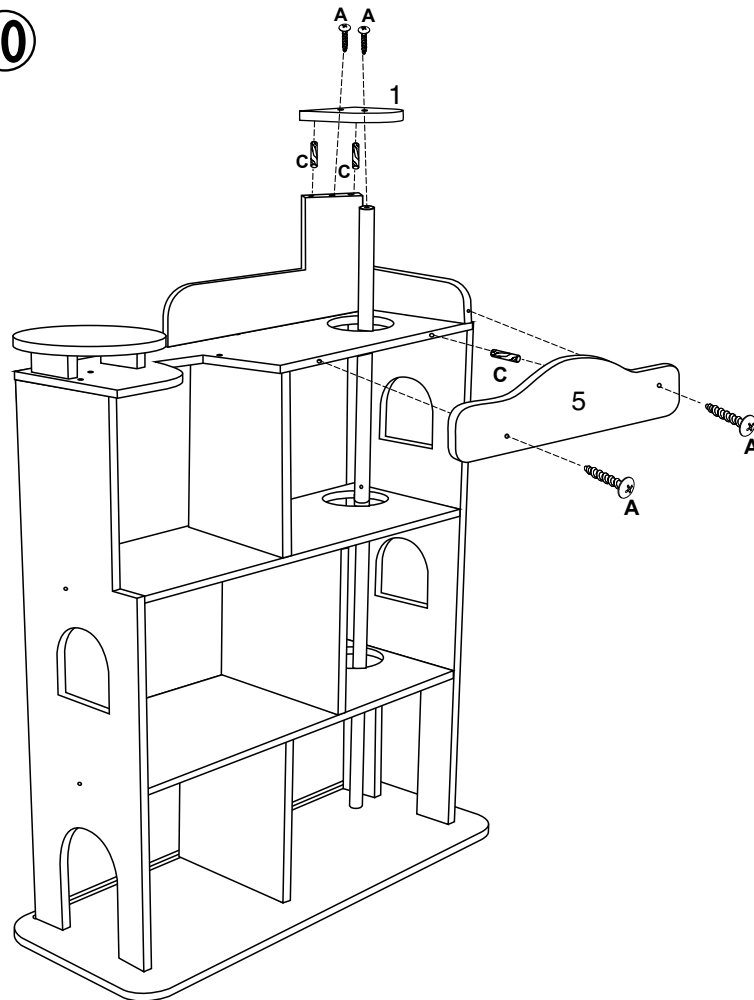
**CHOKING HAZARD - Small parts.**  
 Not for children under 3 years.  
 Adult assembly required.

Item Code: 5422504

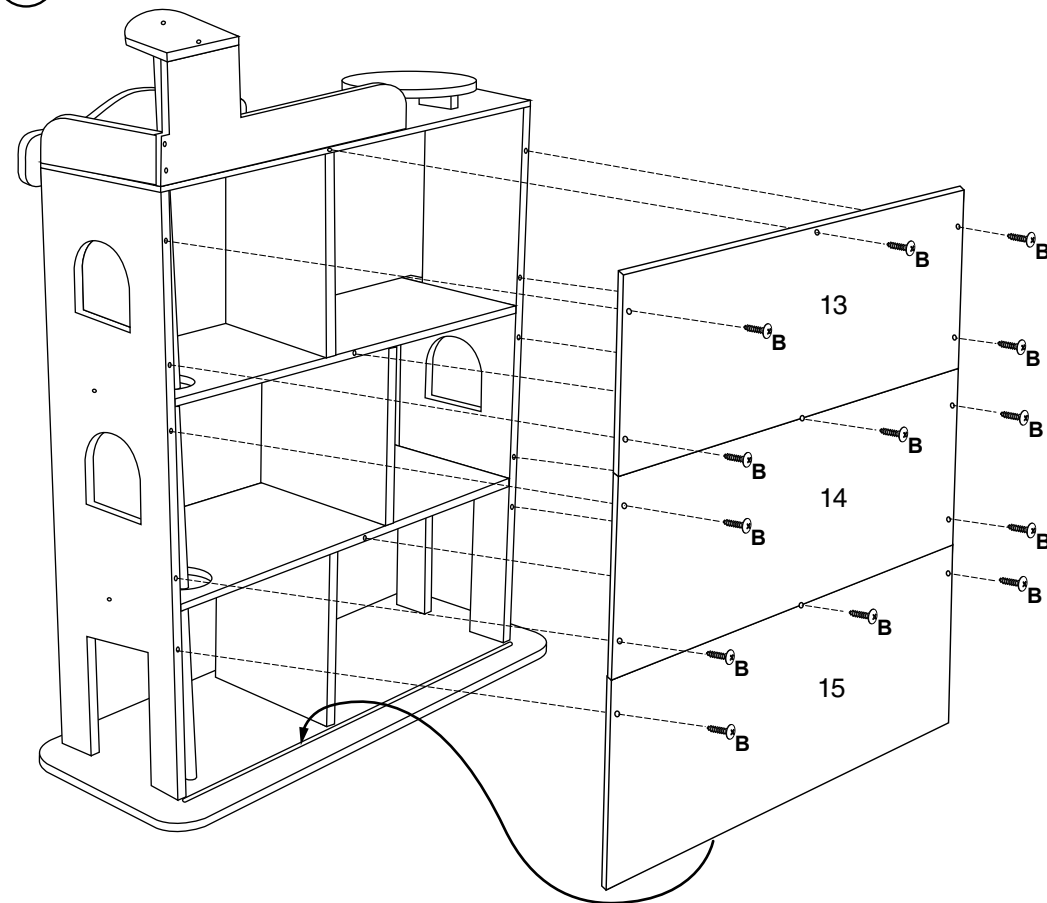


# Wooden Fire and Police Station Instruction Sheet

10



11



### ATTENTION!

- The sharp tip of screws may scratch hands.
- Tighten all the screws before giving this toy to a child.
- Do not OVER tighten screws.
- Electric screwdrivers should NOT be used for assembly.
- Please be sure to remove packaging, all rubber bands, wire ties and tags or fastenings from the toy. They are not part of this toy and must be removed and discarded before giving it to your child.

Please keep this packaging for future reference since it contains important information. Adult assembly required. Please read enclosed instructions before use. **SPECIFICATIONS, COLOURS AND CONTENTS MAY VARY FROM ILLUSTRATIONS.** Young children in play are unaware of potential dangers and hazards, therefore responsible adult supervision is essential.



MADE IN CHINA.  
 PRODUCED FOR CHAD VALLEY TOYS:  
 Argos Limited, 489-499 Avebury Boulevard,  
 Central Milton Keynes, MK9 2NW  
 Visit [www.argos.co.uk/chadvalley](http://www.argos.co.uk/chadvalley)

### CUSTOMER SERVICE

Missing or damaged screws & fixings will be sent out free of charge, please contact us at [customerservice@jupitertoy.com](mailto:customerservice@jupitertoy.com)

**CAUTION:** Product should be used only for purpose for which it was designed. Children should not stand or climb on product.



### WARNING:

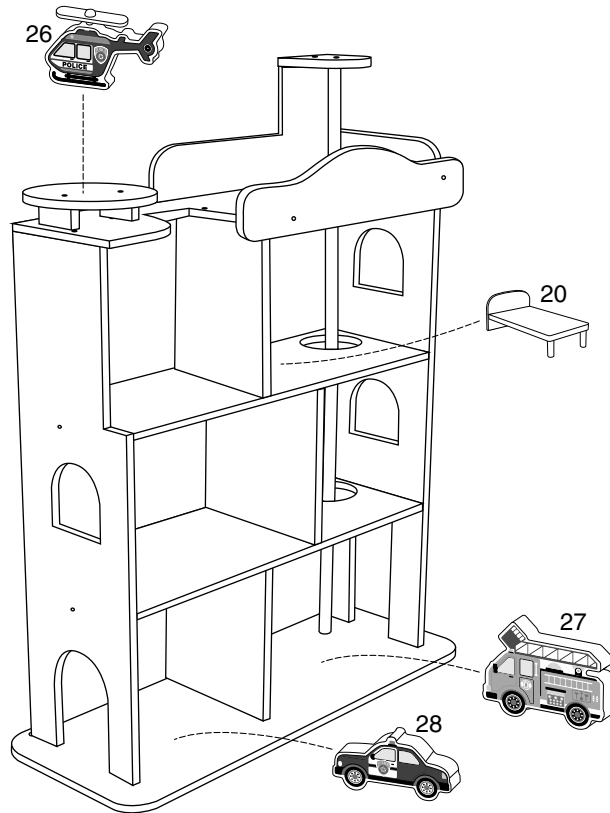
**CHOKING HAZARD - Small parts.**  
 Not for children under 3 years.  
 Adult assembly required.

Item Code: 5422504

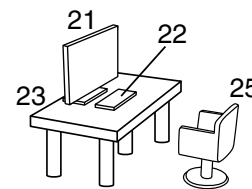
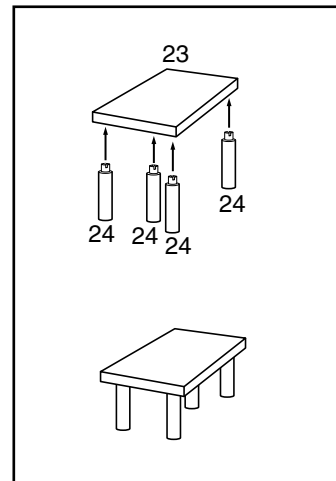


# Wooden Fire and Police Station Instruction Sheet

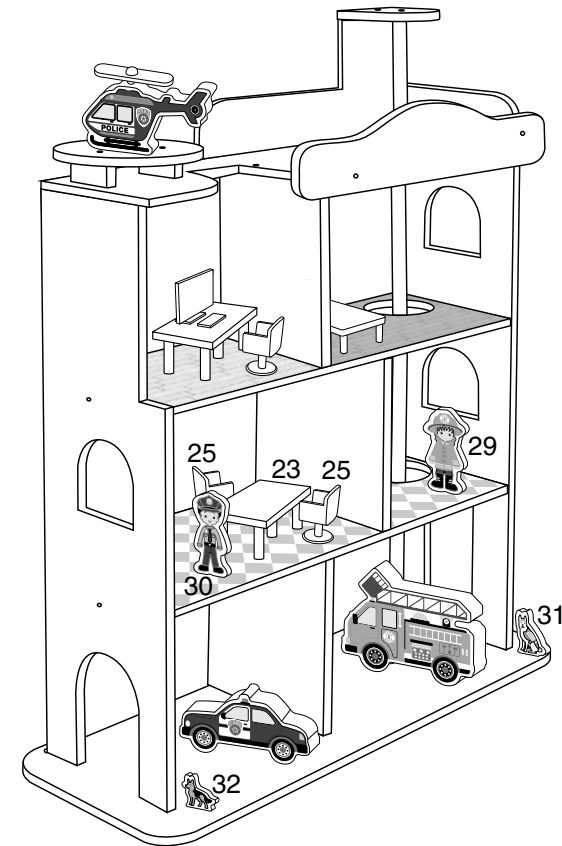
12



13



14



### ATTENTION!

- The sharp tip of screws may scratch hands.
- Tighten all the screws before giving this toy to a child.
- Do not OVER tighten screws.
- Electric screwdrivers should NOT be used for assembly.
- Please be sure to remove packaging, all rubber bands, wire ties and tags or fastenings from the toy. They are not part of this toy and must be removed and discarded before giving it to your child.

Please keep this packaging for future reference since it contains important information. Adult assembly required. Please read enclosed instructions before use. **SPECIFICATIONS, COLOURS AND CONTENTS MAY VARY FROM ILLUSTRATIONS.** Young children in play are unaware of potential dangers and hazards, therefore responsible adult supervision is essential.



MADE IN CHINA.  
 PRODUCED FOR CHAD VALLEY TOYS:  
 Argos Limited, 489-499 Avebury Boulevard,  
 Central Milton Keynes, MK9 2NW  
 Visit [www.argos.co.uk/chadvalley](http://www.argos.co.uk/chadvalley)

### CUSTOMER SERVICE

Missing or damaged screws & fixings will be sent out free of charge, please contact us at [customerservice@jupitertoy.com](mailto:customerservice@jupitertoy.com)

**CAUTION:** Product should be used only for purpose for which it was designed. Children should not stand or climb on product.



### WARNING:

**CHOKING HAZARD - Small parts.**  
 Not for children under 3 years.  
 Adult assembly required.

Item Code: 5422504