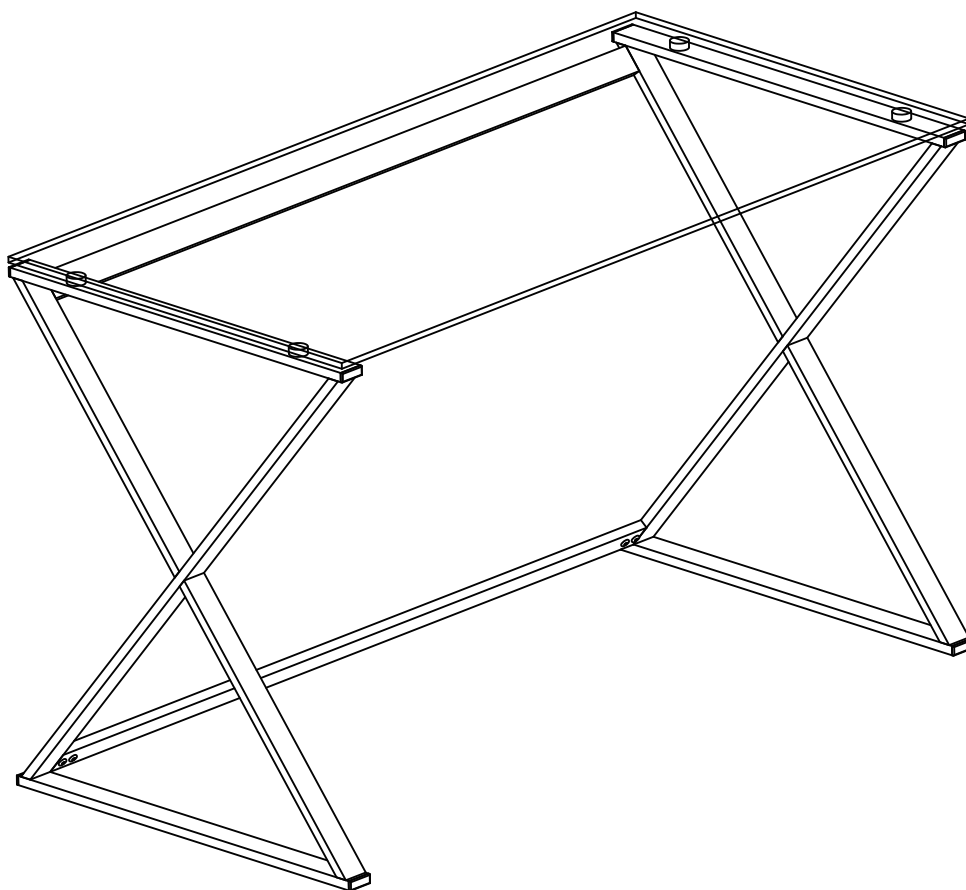


Cortez Desk

Assembly Instructions - please keep for future reference

541/0530

hygena



Dimensions

Width - 120cm

Depth - 60cm

Height - 75cm

Important – Please read these instructions fully before starting assembly

If you need help or have damaged or missing parts, call the Customer Helpline: 03456 400800



Safety and Care Advice

Important – Please read these instructions fully before starting assembly

- Check you have all the components and tools listed on the following pages.
- Remove all fittings from the plastic bags and separate them into their groups.
- Keep children and animals away from the work area, small parts could choke if swallowed.
- Make sure you have enough space to layout the parts before starting.

- During assembly do not stand or put weight on the product, this could cause damage.
- Assemble the item as close to its final position (in the same room) as possible.
- Assemble on a soft level surface to avoid damaging the unit or your floor.
- Parts of the assembly will be easier with 2 people.



- To reduce the likelihood of damaging your product please ensure that your power drill is set on a low torque setting.

Care and maintenance

• Only clean using a damp cloth and mild detergent, do not use bleach or abrasive cleaners.

• From time to time check that there are no loose screws on this unit.

• This product should not be discarded with household waste. Take to your local authority waste disposal centre.

Handy Hints

• Assemble all parts and bolts loosely during assembly. Only once the product is complete should you fully tighten the bolts.

• Regularly check and ensure that all bolts and fittings are tightened properly.

Glass Safety

Glass Safety

- Keep these instructions for future reference
- imported by:
Argos Ltd
489-499 Avebury Boulevard.
Saxon Gate West.
Central Milton Keynes
MK9 2t4W

- If the glass is chipped or broken: stop using the product and consult the Manufacturer or Supplier
- Batch No:368403
- Date of Manufacture: Apr. 2016
- Type of glass used: 8mm toughened glass

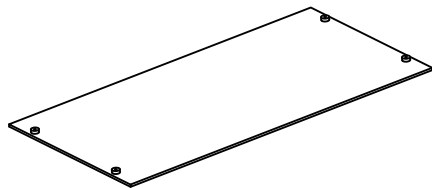
Warning:

- (a) Do not place very hot or very cold items on the glass surface(s) unless adequately thick table mats are used to prevent such items from coming into contact with the glass.
- (b) Do not sit or stand upon the glass surface(s).
- (c) Do not use the glass as a chopping surface. Do not strike the glass with hard or pointed items.
- (d) When cleaning glass panels use a damp cloth or leather with washing up liquid or soft soap if necessary, do not use washing powders or any other substance containing abrasives since these substances scratch glass.

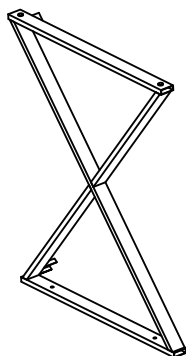
Components - Panels

If you have damaged or missing components, call the Customer Helpline: 03456 400800

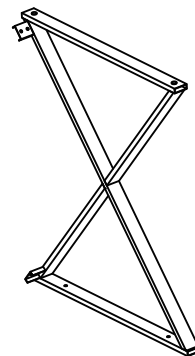
Please check you have all the panels listed below



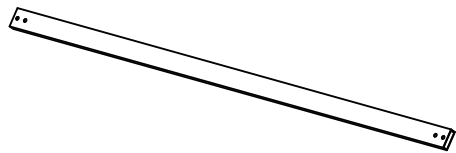
1 Glass Desktop x 1
(120(h)cm x 60(d)cm)



2 Right side frame x 1
(72.5(h)cm x 59.5(d)cm)



3 Left side frame x 1
(72.5(h)cm x 59.5(d)cm)



4 Supportbar x 2
(1.3/3.8(w)cm x 111.6(h)cm)

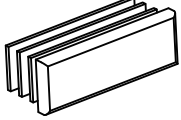
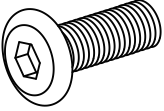
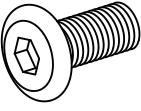
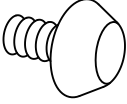
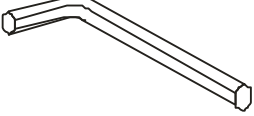


Components - Fittings

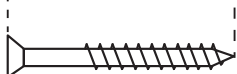
If you have damaged or missing components, call the Customer Helpline: 03456 400800

Please check you have all the fittings listed below

Note: The quantities below are the correct amount to complete the assembly. In some cases more fittings may be supplied than are required.

<p>A</p>  <p>Plastic plugs x 8</p>	<p>B</p>  <p>23mm Bolt x 4</p>	<p>C</p>  <p>13mm Bolt x 8</p>	<p>D</p>  <p>Adjustable feet x 4</p>
<p>E</p>  <p>Allen Key x 1</p>			

Ruler – Use this ruler to help correctly identify the screws

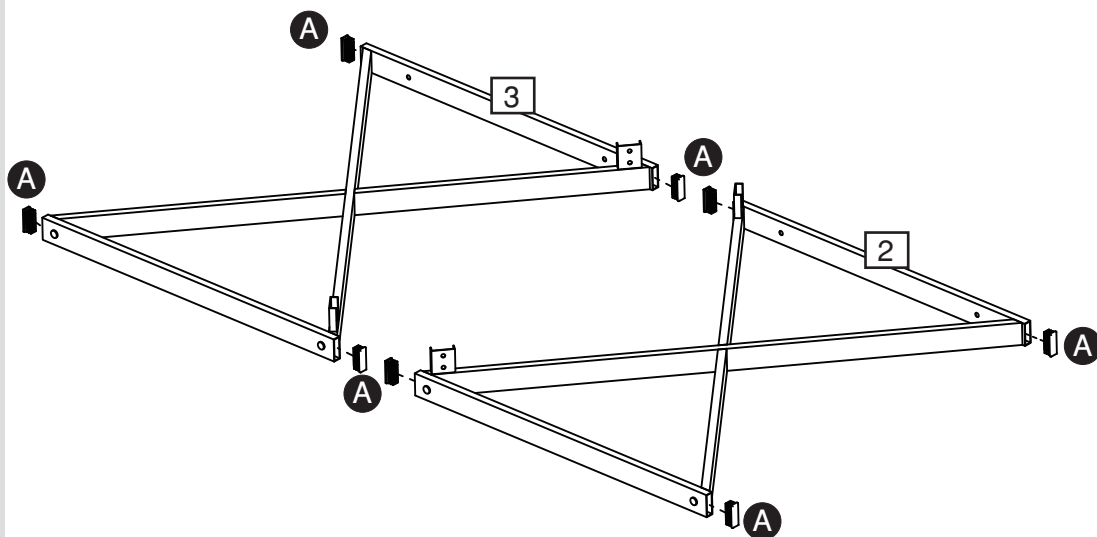



The screws length is measured from the head to the point(30mm screw shown).

Assembly Instructions

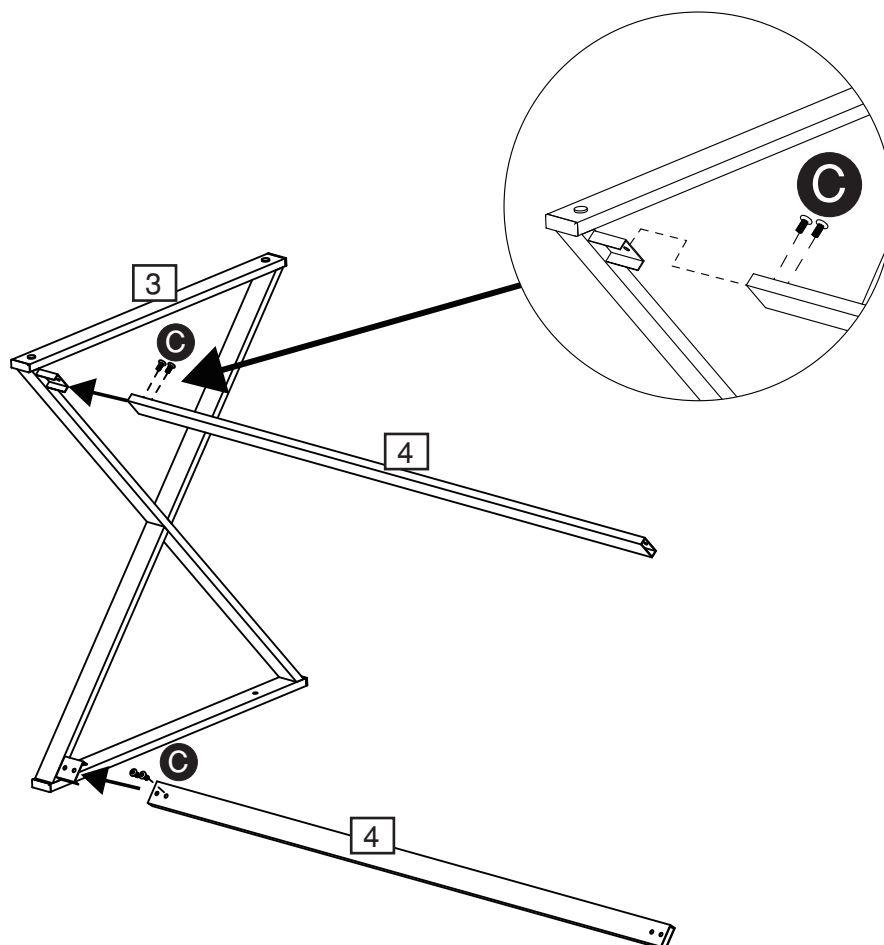
Step 1

Fitting Plastic Plug
Insert plastic plug **A**
into right side frame **2**
and left side frame **3**.



Step 2

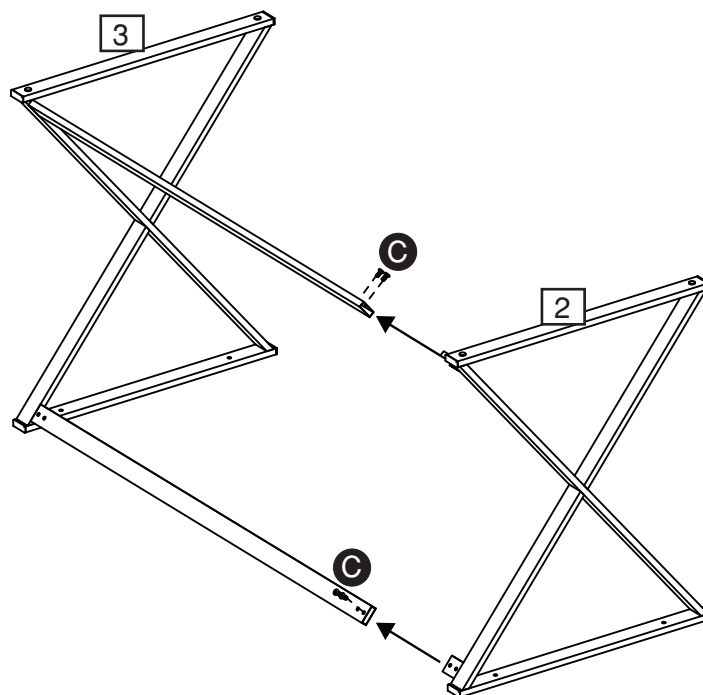
Fitting Support bar
Attach left side frame **3**
and support bar **4** using
bolts **C**.
Please do not fully tighten
the bolts at this stage.



Assembly Instructions

Step 3

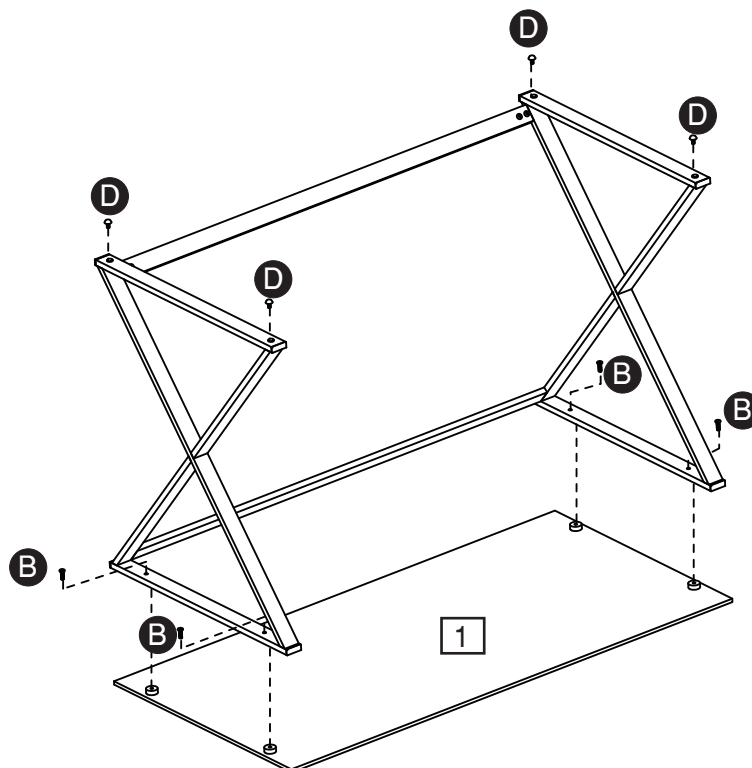
Fitting Right Side Frame
Attach right side frame **2**
and support bar **4** using
bolts **C**.
Please do not fully tighten
the bolts at this stage.



Step 4

Glass top should be placed
upside down on a protective
surface

Fitting Glass desktop
Attach glass desktop **1**
and side part frames **2** **3**
using bolts **B**.
Screw adjustment feet **D**
into bottom of side part
frames **2** **3**.
Fully tighten all bolts
assembled in previous
steps.



Assembly is complete.

If you need help or have damaged or missing parts, call the **Customer Helpline: 03456 400800**