
















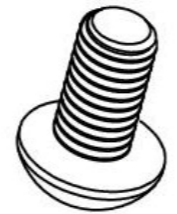
REEBOKFITNESSEQUIPMENT.COM/PRODUCTSUPPORT

Reebok
JET SERIES

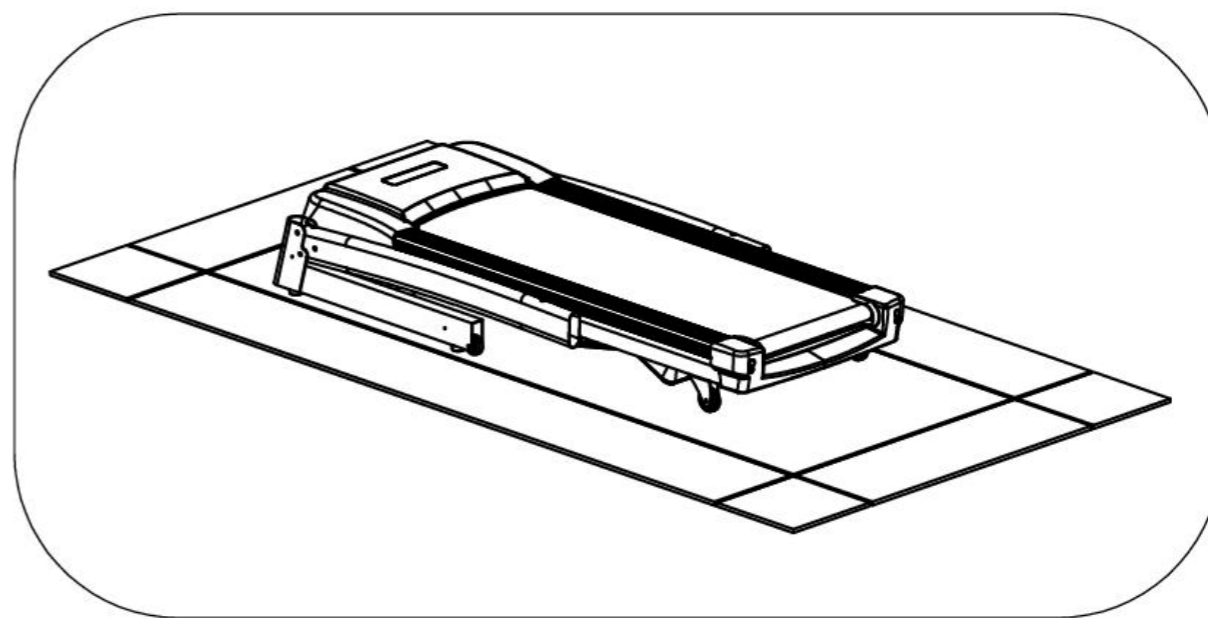
JET 300
ASSEMBLY MANUAL

Reebok
JET SERIES

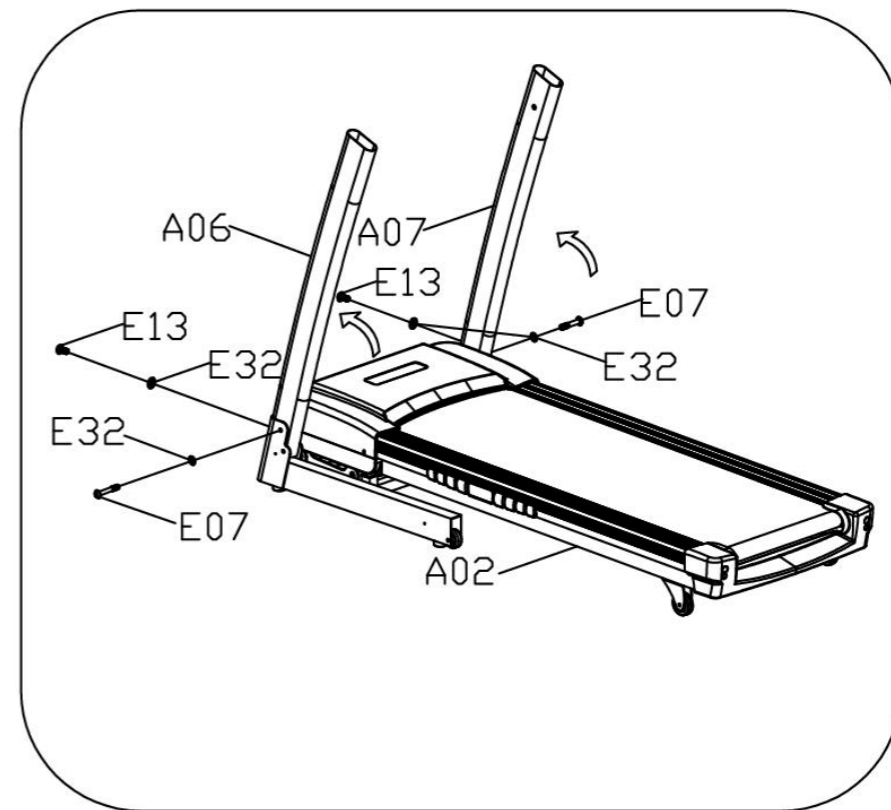
ASSEMBLY INSTRUCTIONS

 C03	 E07	
 C01	 D07	 E32
 B05	 C16	 E26
 B04	 C15	 E20
 A02	 C04	 E13

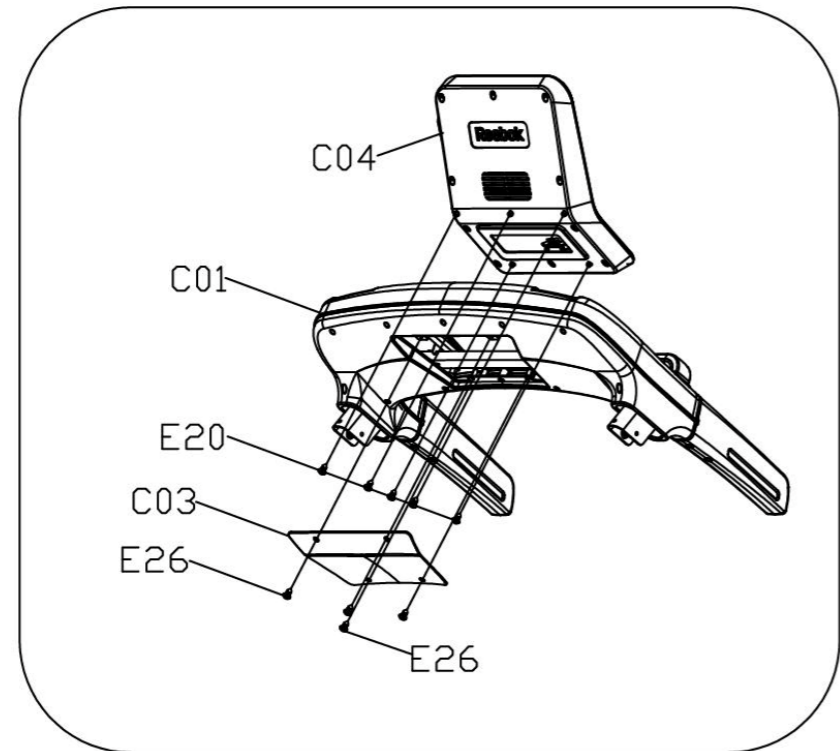
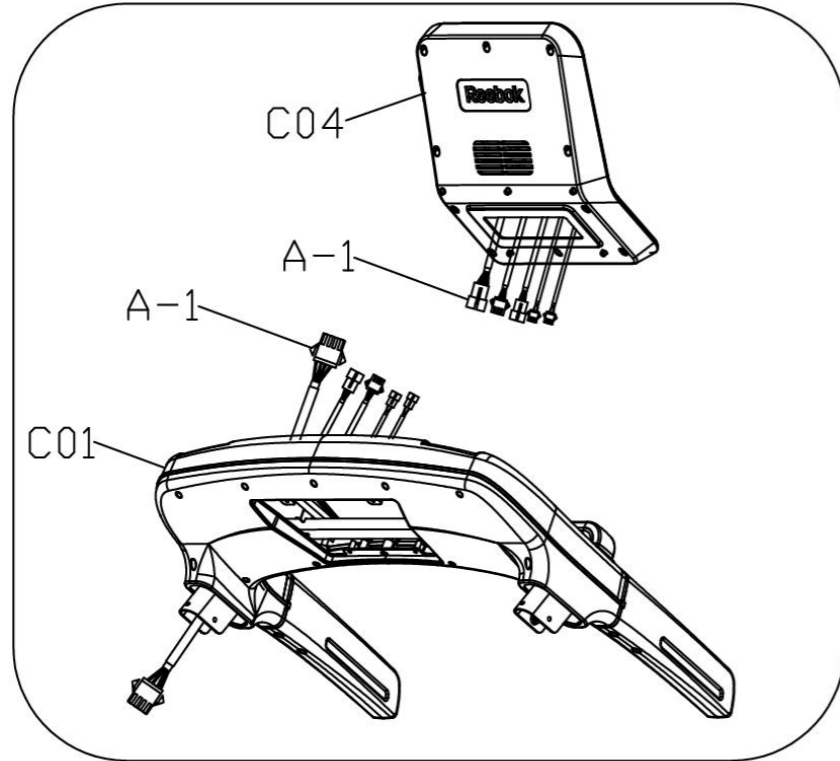
1



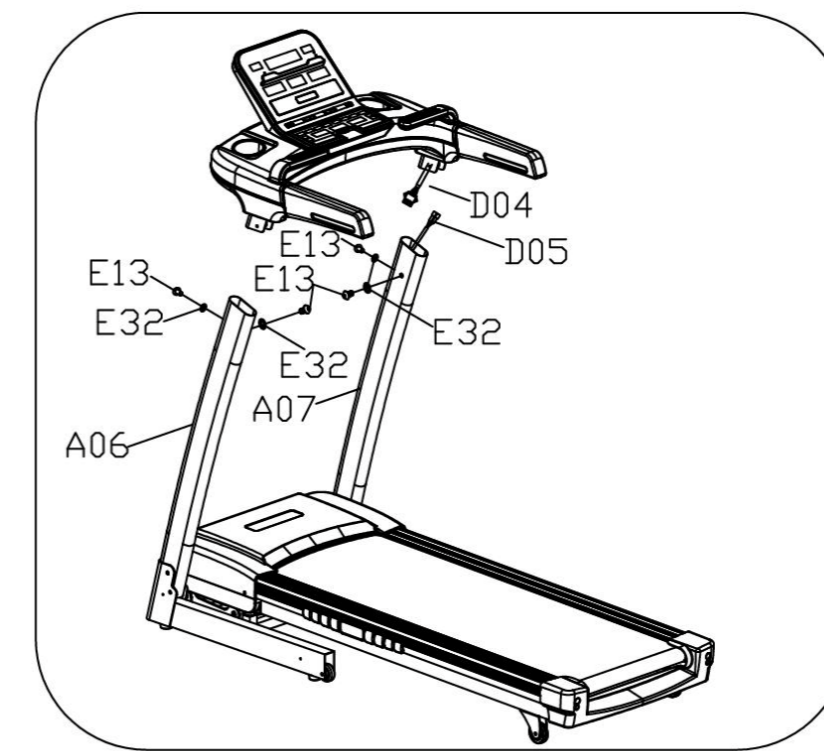
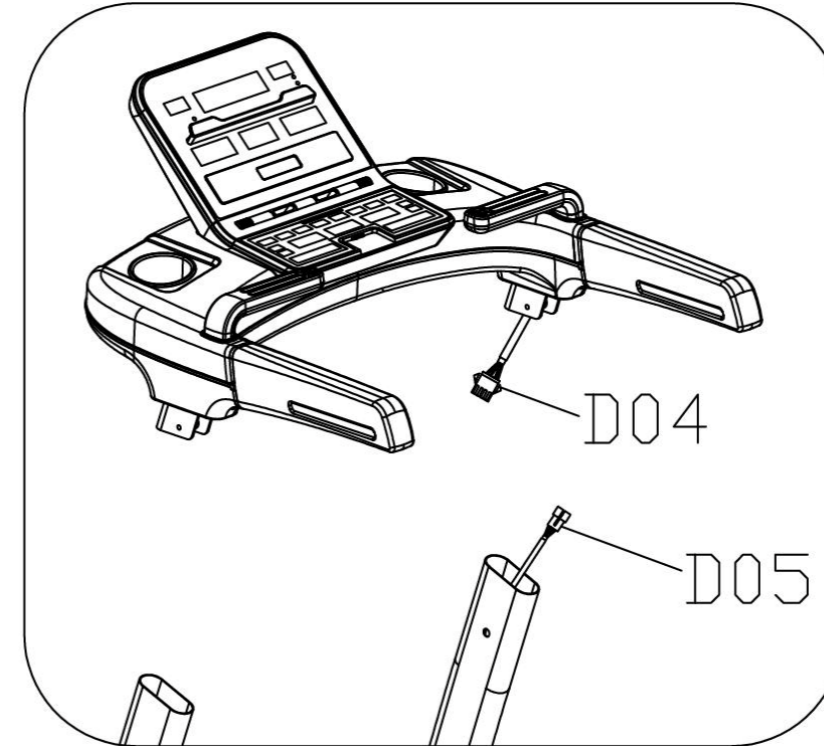
2



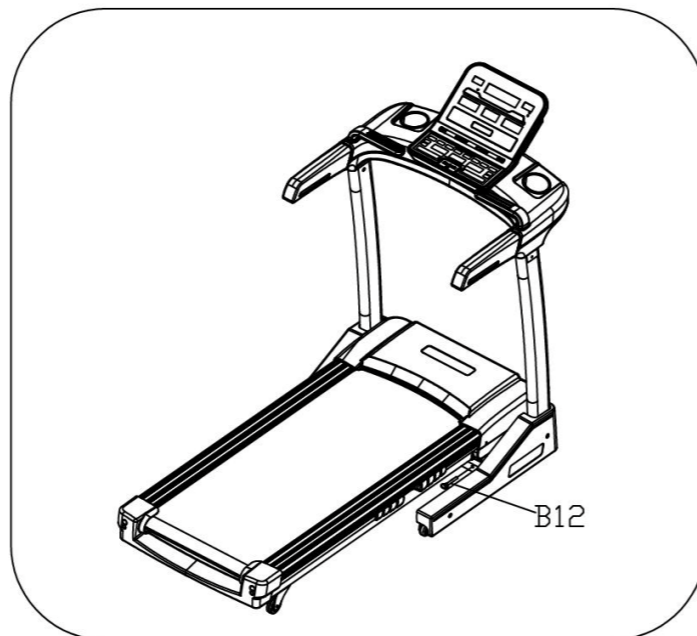
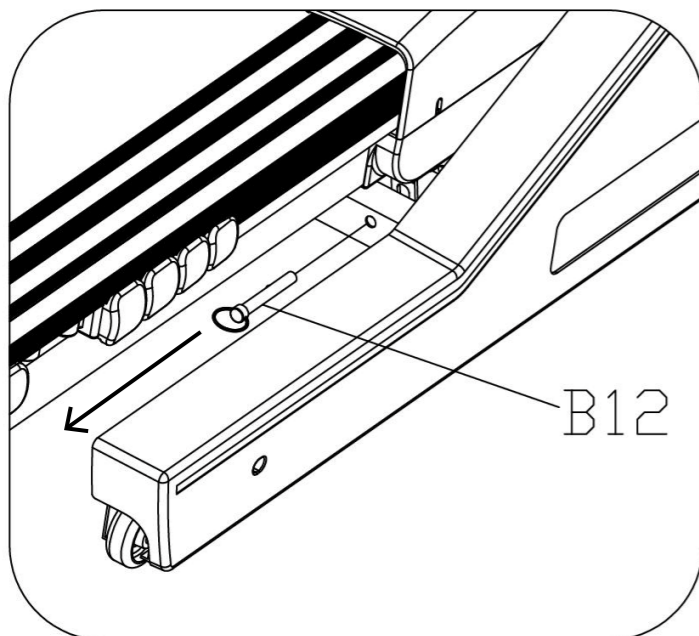
3



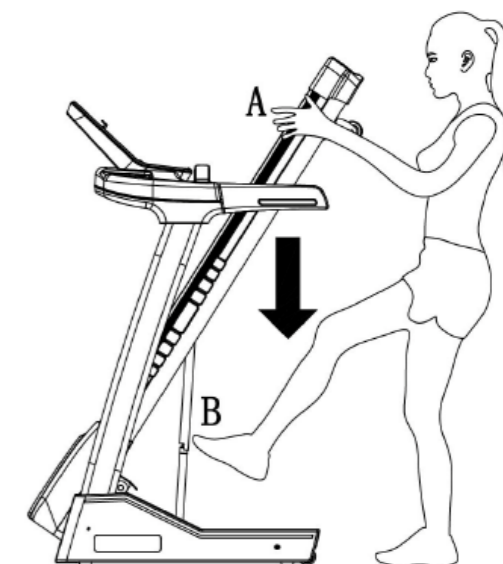
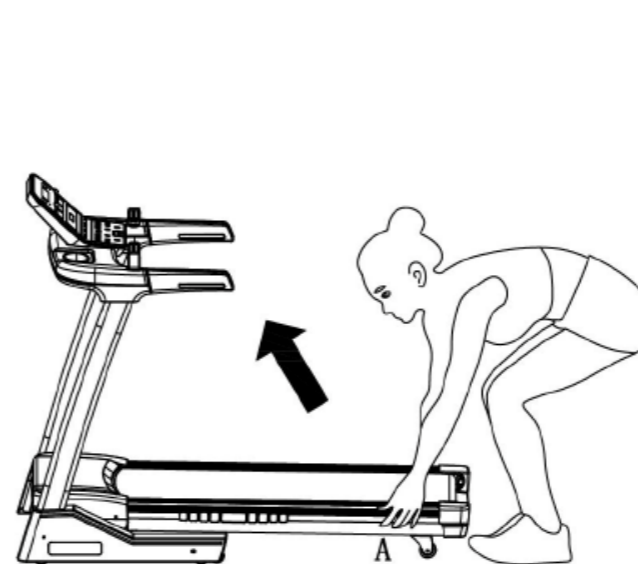
4



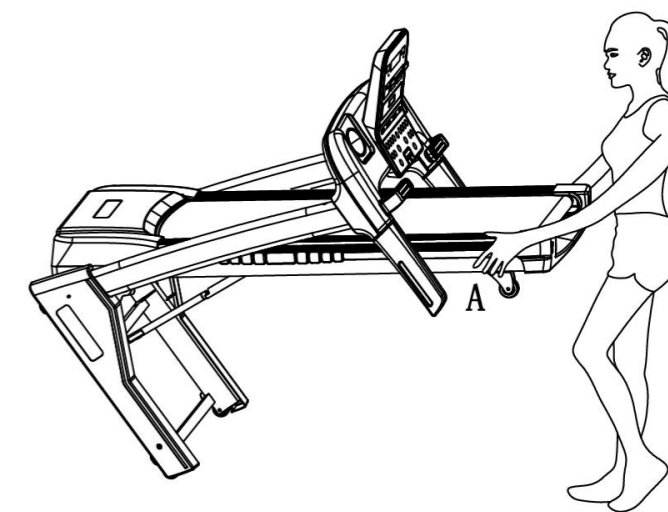
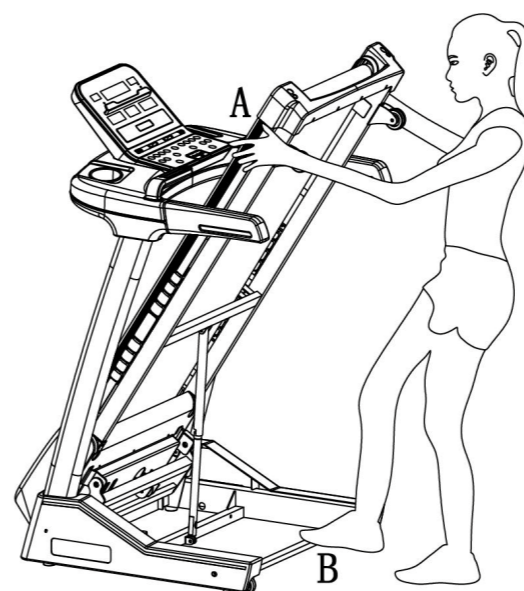
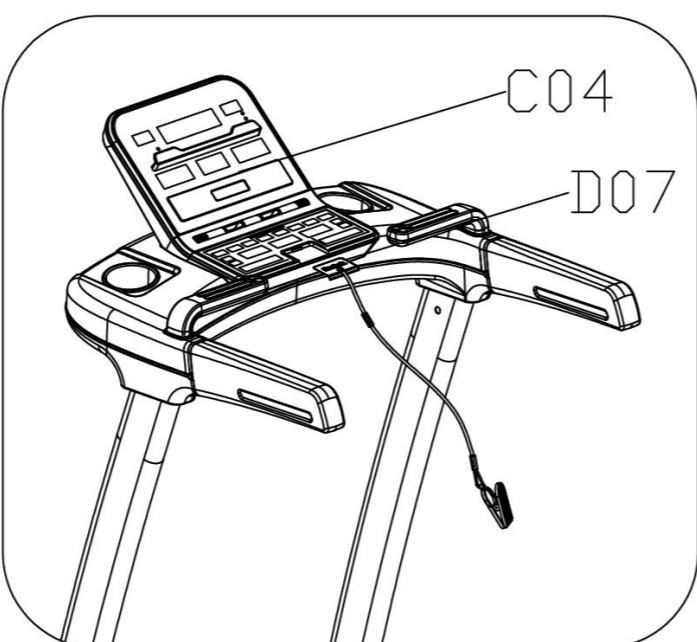
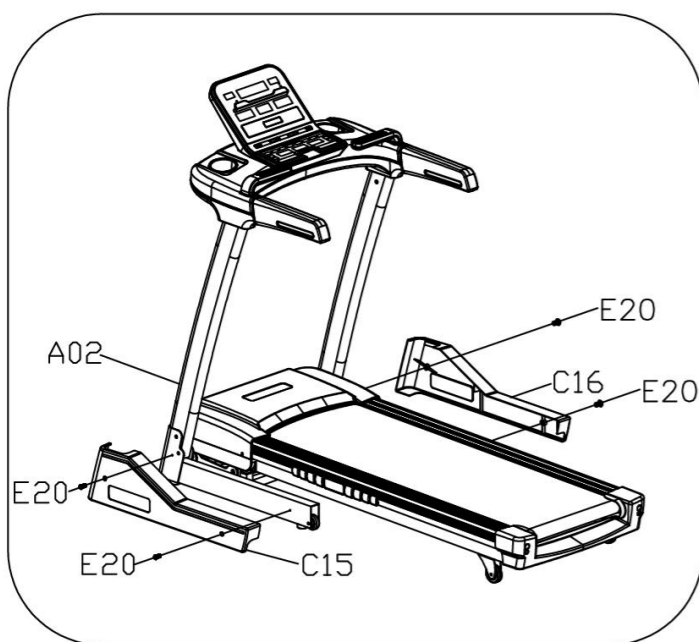
5



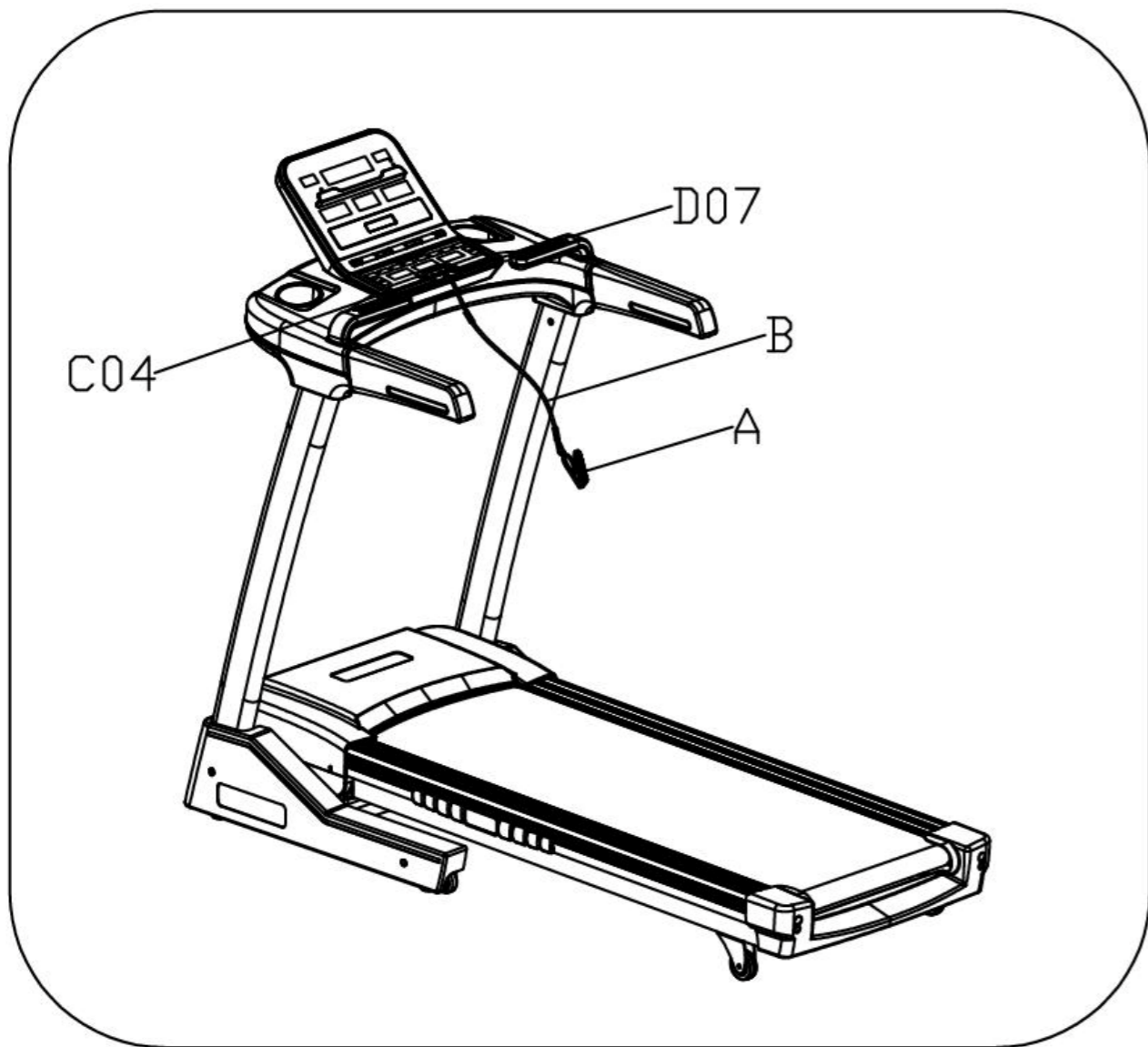
FOLDING INSTRUCTIONS



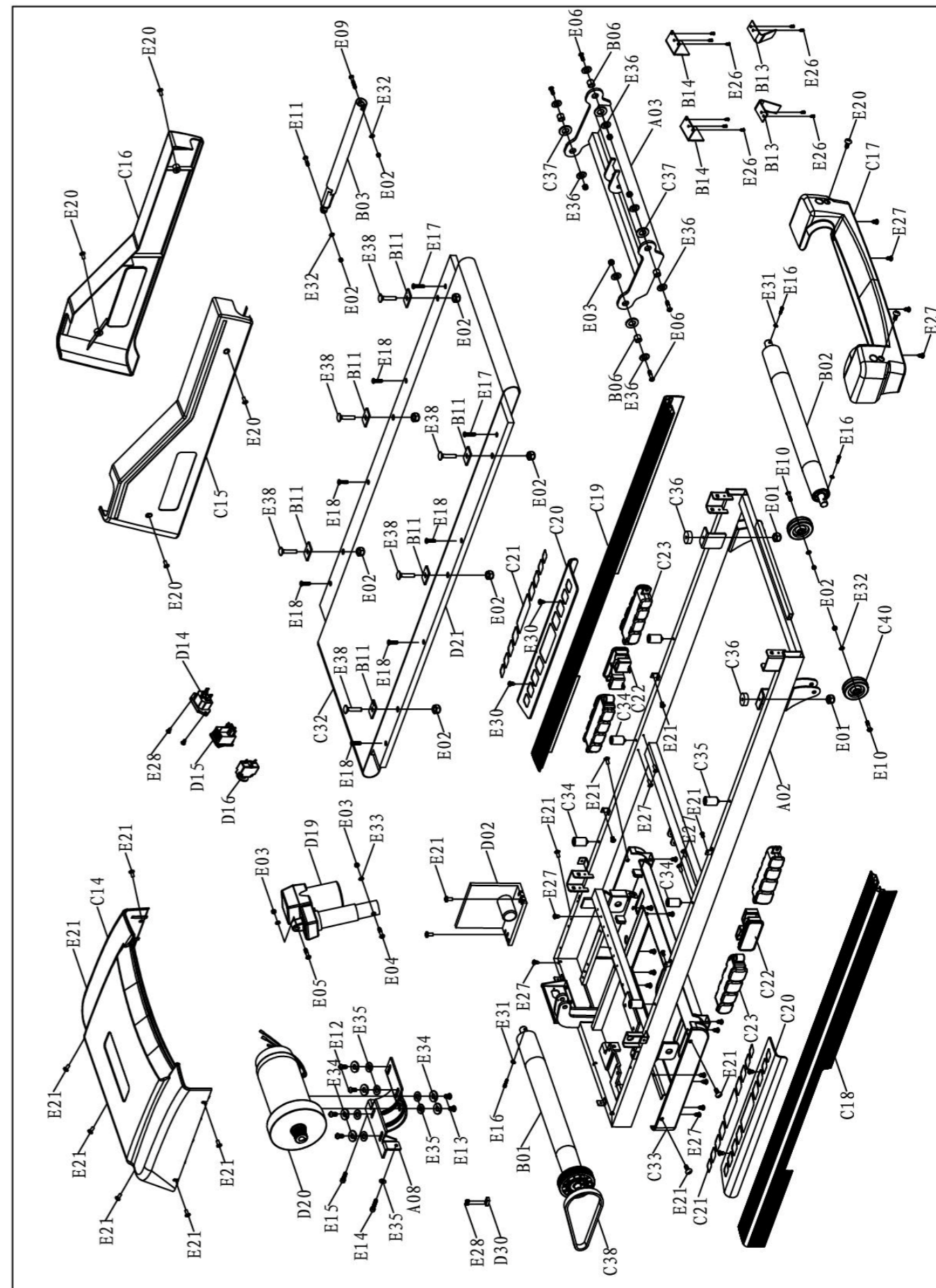
6

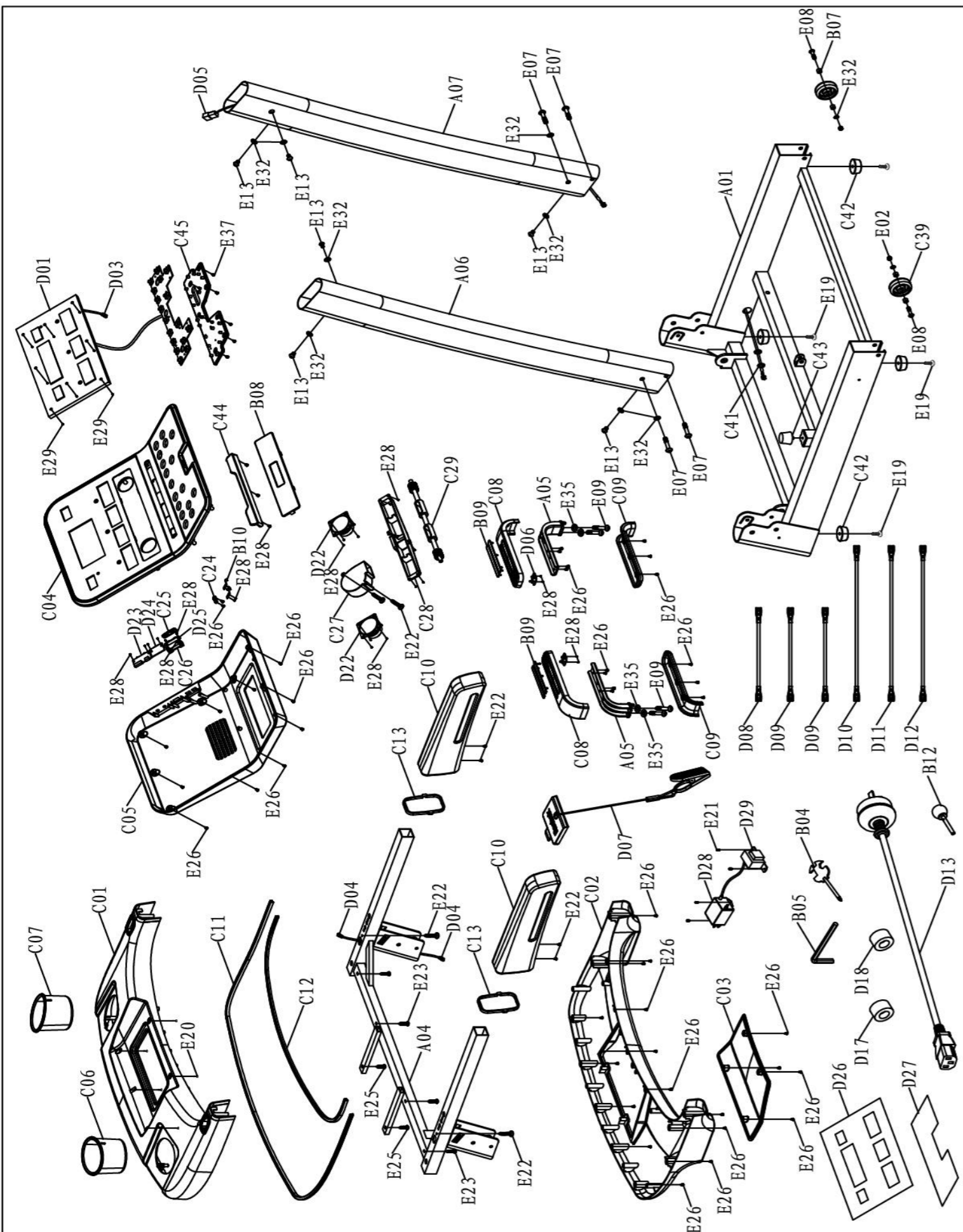


HOW TO USE SAFETY KEY



EXPLODED DRAWING





PARTS LIST

No.	Part description	Qty	No.	Part description	Qty	No.	Part description	Qty
A01	base frame	1	C24	safety key base	1	D24	USB board	1
A02	main frame	1	C25	volume control button	1	D25	volume control board	1
A03	incline bracket	1	C26	base of volume control button	1	D26	console panel sticker	1
A04	console bracket	1	C27	fan	1	D27	function button sticker	1
A05	pulse bracket	2	C28	fan guide	1	D28	filter	1
A06	left upright tube	1	C29	fan axis	1	D29	inductance	1
A07	right upright tube	1	C30			D30	speed sensor	1
A08	motor bracket	1	C31			E01	nut	2
B01	front roller	1	C32	running belt	1	E02	nut	12
B02	back roller	1	C33	motor bottom cover	1	E03	nut	6
B03	cylinder	1	C34	black cushion	4	E04	bolt	1
B04	cross wrench with screw driver	1	C35	blue cushion	2	E05	bolt	1
B05	5# Allen wrench	1	C36	blue cushion	2	E06	bolt	4
B06	bushing	4	C37	plastic pad	4	E07	bolt	4
B07	transport wheel bushing	4	C38	motor belt	1	E08	bolt	2
B08	speaker net	1	C39	transport wheel	2	E09	bolt	5
B09	pulse steel plate	4	C40	adjustable wheel	2	E10	bolt	2
B10	spring plate	2	C41	ring-shape wire plug	2	E11	bolt	1
B11	side rail pressing sheet	6	C42	flat foot pad	4	E12	bolt	4
B12	locking pin	1	C43	cone-shape cushion	1	E13	bolt	8
B13	belt hook	2	C44	plastic holder	1	E14	bolt	1
B14	hide board	2	C45	button board	1	E15	bolt	1
C01	console top cover	1	D01	computer board	1	E16	bolt	3
C02	console bottom cover	1	D02	control board	1	E17	bolt	2
C03	console back cover	1	D03	top signal wire	1	E18	bolt	6
C04	console panel	1	D04	middle signal wire	1	E19	bolt	4
C05	console panel bottom cover	1	D05	bottom signal wire	1	E20	bolt	11
C06	left water bottle	1	D06	pulse button	2	E21	bolt	21
C07	right water bottle	1	D07	safety key	1	E22	screw	8
C08	pulse top cover	2	D08	AC single wire	1	E23	screw	4
C09	pulse bottom cover	2	D09	AC single wire	2	E24		
C10	handle bar	2	D10	AC single wire	1	E25	screw	2
C11	decoration strip i	1	D11	AC single wire	1	E26	screw	54
C12	decoration strip ii	1	D12	grounding wire	1	E27	screw	22
C13	handle bar decoration ring	2	D13	power wire	1	E28	screw	35
C14	motor top cover	1	D14	power socket	1	E29	screw	8
C15	left upright tube cover	1	D15	on-off button	1	E30	screw	4
C16	right upright tube cover	1	D16	overload protector	1	E31	washer	3
C17	back end cover	1	D17	magnet ring	1	E32	washer	14
C18	left side rail	1	D18	magnet core	1	E33	washer	2
C19	right side rail	1	D19	incline motor	1	E34	spring washer	6
C20	anti-slip pad	2	D20	DC motor	1	E35	flat washer	11
C21	sticker of anti-slip pad	2	D21	running board	1	E36	big washer	8
C22	cushion	2	D22	speaker	2	E37	screw	7
C23	air cushion	4	D23	audio board	1	E38	bolt	6